

US00D660991S

(12) **United States Design Patent**
Allen et al.

(10) **Patent No.:** **US D660,991 S**
(45) **Date of Patent:** **** May 29, 2012**

(54) **LAMP**

(75) Inventors: **Gary Robert Allen**, Chesterland, OH (US); **Ashfaquul Islam Chowdhury**, Broadview Heights, OH (US); **Dengke Cai**, Mayfield Heights, OH (US); **Jeyachandrabose Chinniah**, Willoughby Hills, OH (US); **Jeremias A. Martins**, Twinsburg, OH (US); **Anthony Michael Rotella**, Cleveland Heights, OH (US)

(73) Assignee: **GE Lighting Solutions, LLC.**, Cleveland, OH (US)

(**) Term: **14 Years**

(21) Appl. No.: **29/397,912**

(22) Filed: **Jul. 22, 2011**

(51) **LOC (9) Cl.** **26-04**

(52) **U.S. Cl.** **D26/2**

(58) **Field of Classification Search** D26/1-4;
313/313, 315, 316, 317, 318, 493; 315/52,
315/53, 56, 57, 58

See application file for complete search history.

(56) **References Cited**

U.S. PATENT DOCUMENTS

D653,365 S *	1/2012	Yuan et al.	D26/2
D653,366 S *	1/2012	Le et al.	D26/2
D654,193 S *	2/2012	Tong et al.	D26/2
D654,603 S *	2/2012	Chen	D26/2

* cited by examiner

Primary Examiner — Marcus Jackson

(74) *Attorney, Agent, or Firm* — Global Patent Operation; Jonathan E. Thomas

(57) **CLAIM**

The ornamental design for a lamp, as shown and described.

DESCRIPTION

FIG. 1 is a front perspective view of a lamp showing our new design;

FIG. 2 is a left side view thereof;

FIG. 3 is a right side view thereof;

FIG. 4 is a front elevational view thereof;

FIG. 5 is a rear elevational view thereof;

FIG. 6 is a top plan view thereof; and,

FIG. 7 is a bottom plan view thereof.

The perimeter of the claimed lamp fits within the ANSI A19 lamp profile. The claimed lamp can be used with a light emitting diode and could be used to replace an incandescent lamp.

The oblique lines on the canopy in FIGS. 1, 2, 3, 4 and 5 indicate that the canopy is either translucent or transparent.

Portions of the lamp depicted in broken lines form no part of the claimed design. For example:

the broken line showing of the screw thread is for the purpose of illustrating the base of the lamp and forms no part of the claimed design; and

the broken line showing of the light engine and the light cone is for the purpose of illustrating structure that would be visible if the canopy were transparent and forms no part of the claimed design.

1 Claim, 6 Drawing Sheets

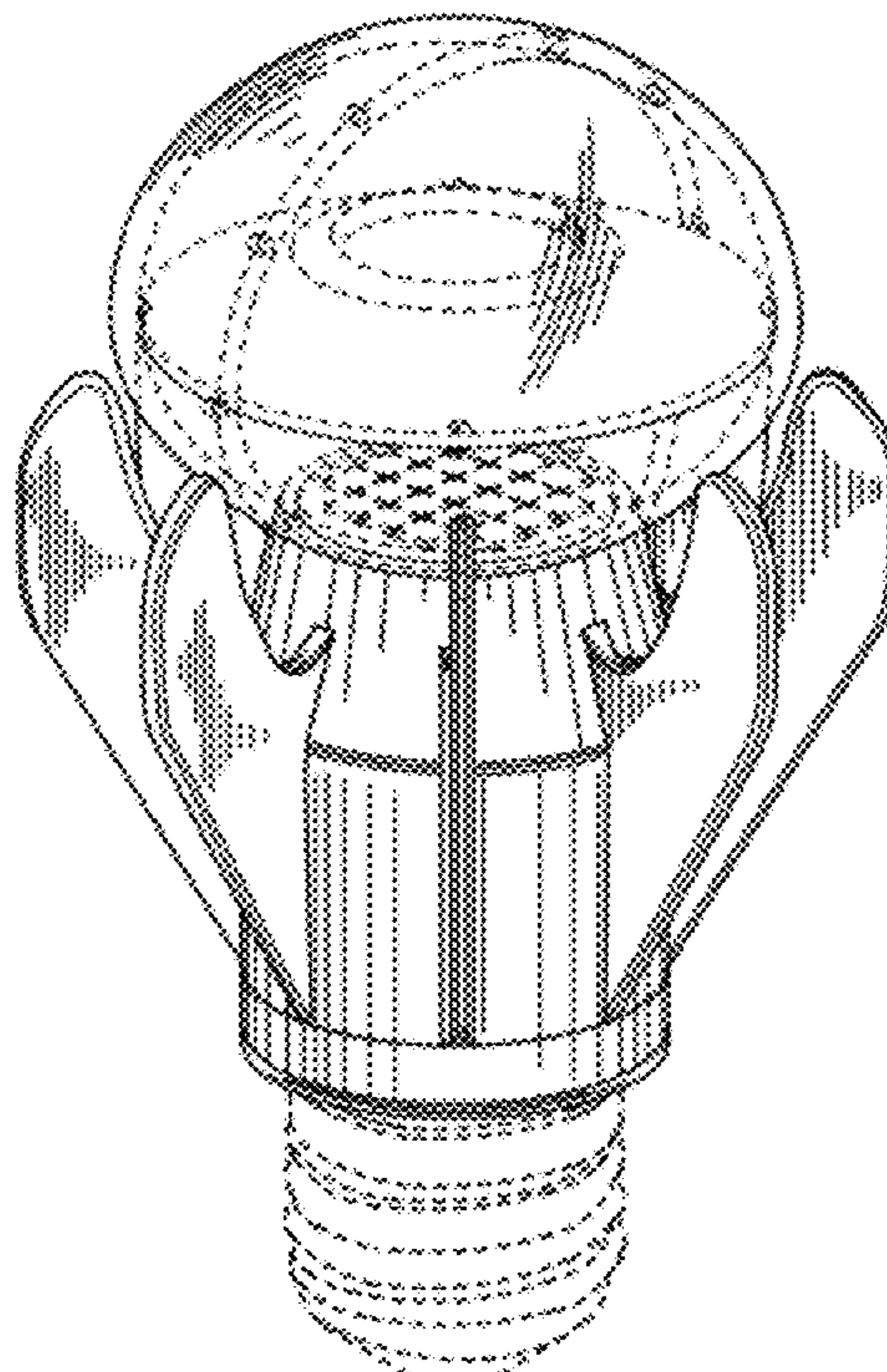


Figure 1

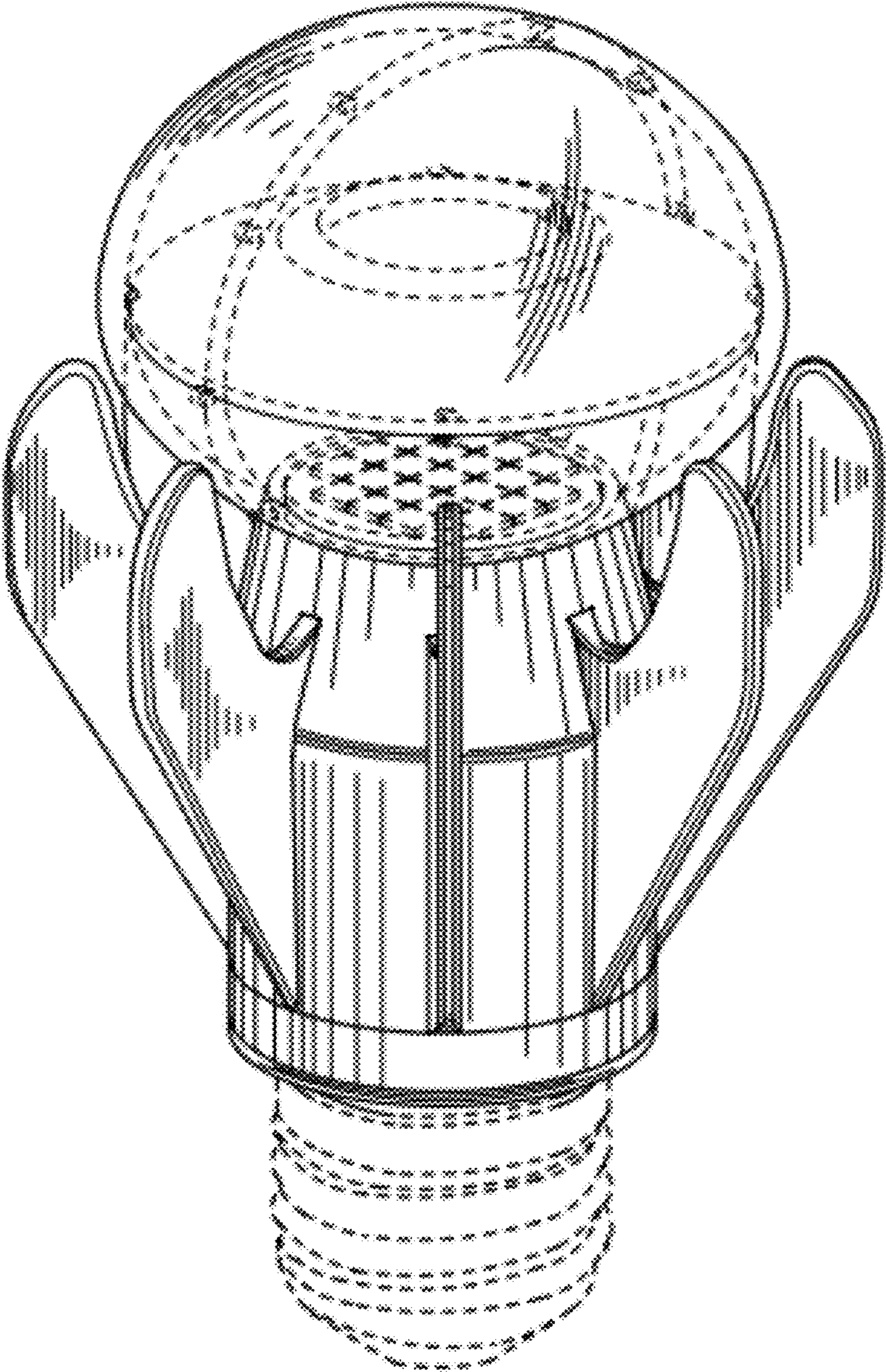


Figure 2

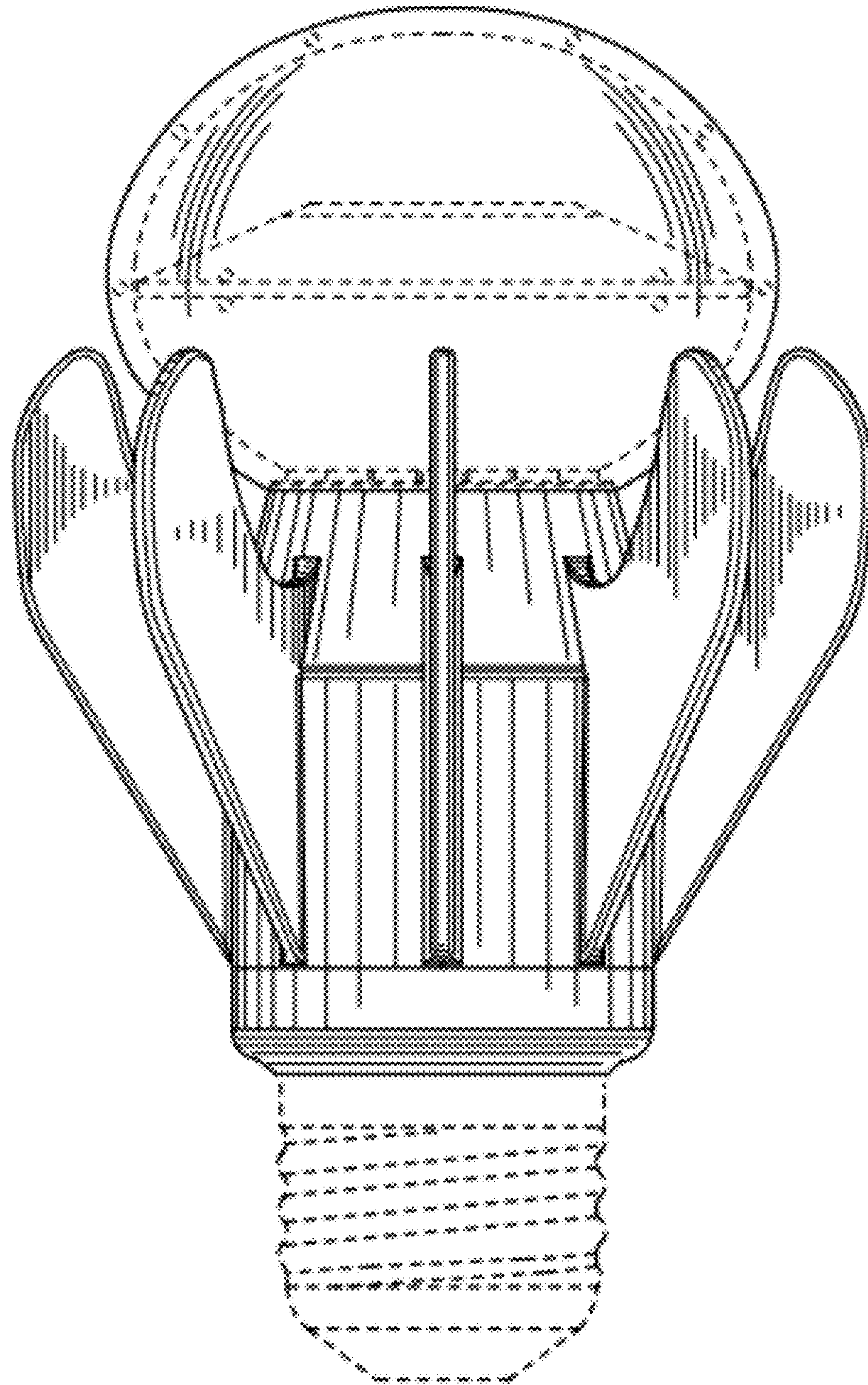


Figure 3

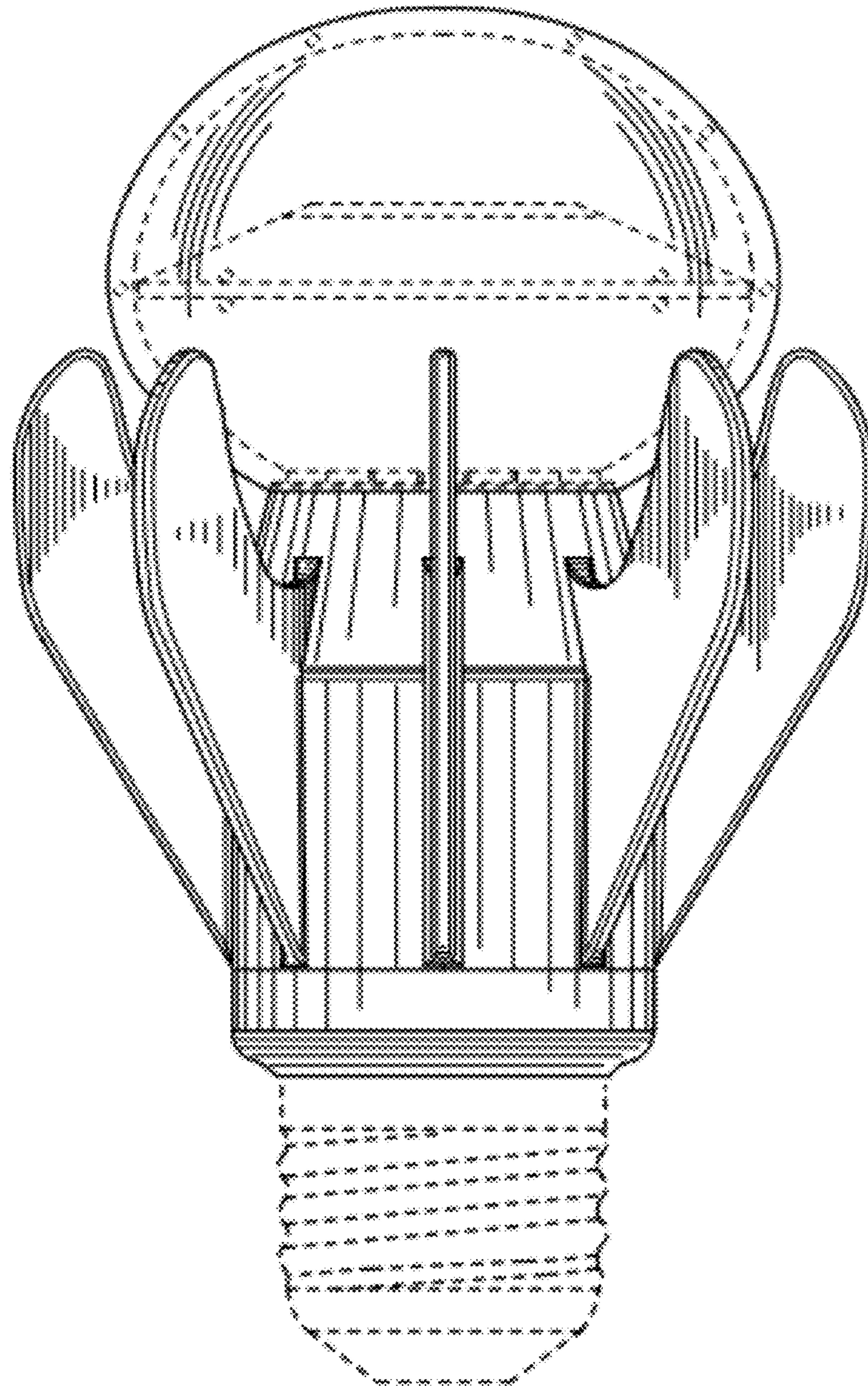


Figure 4

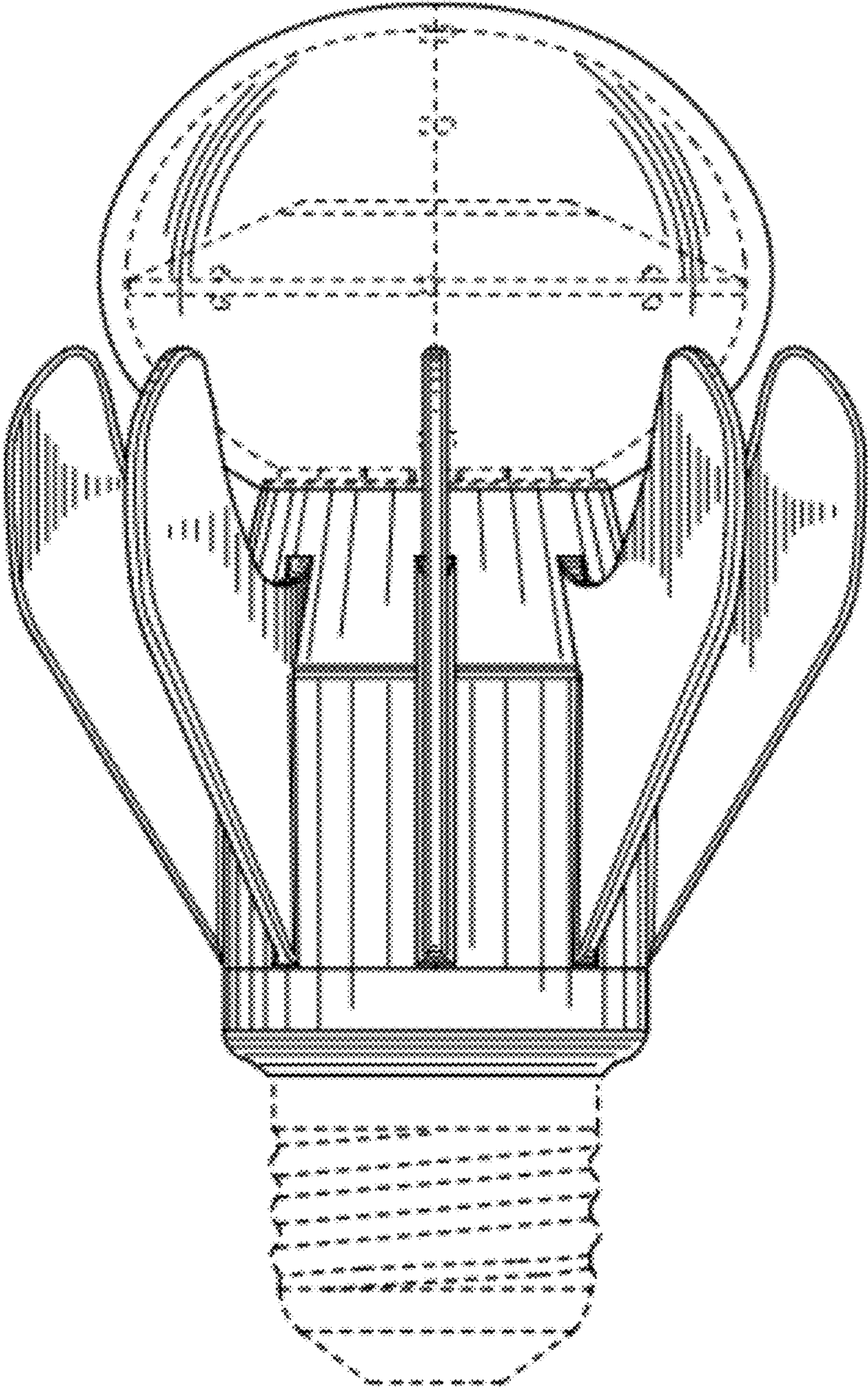


Figure 5

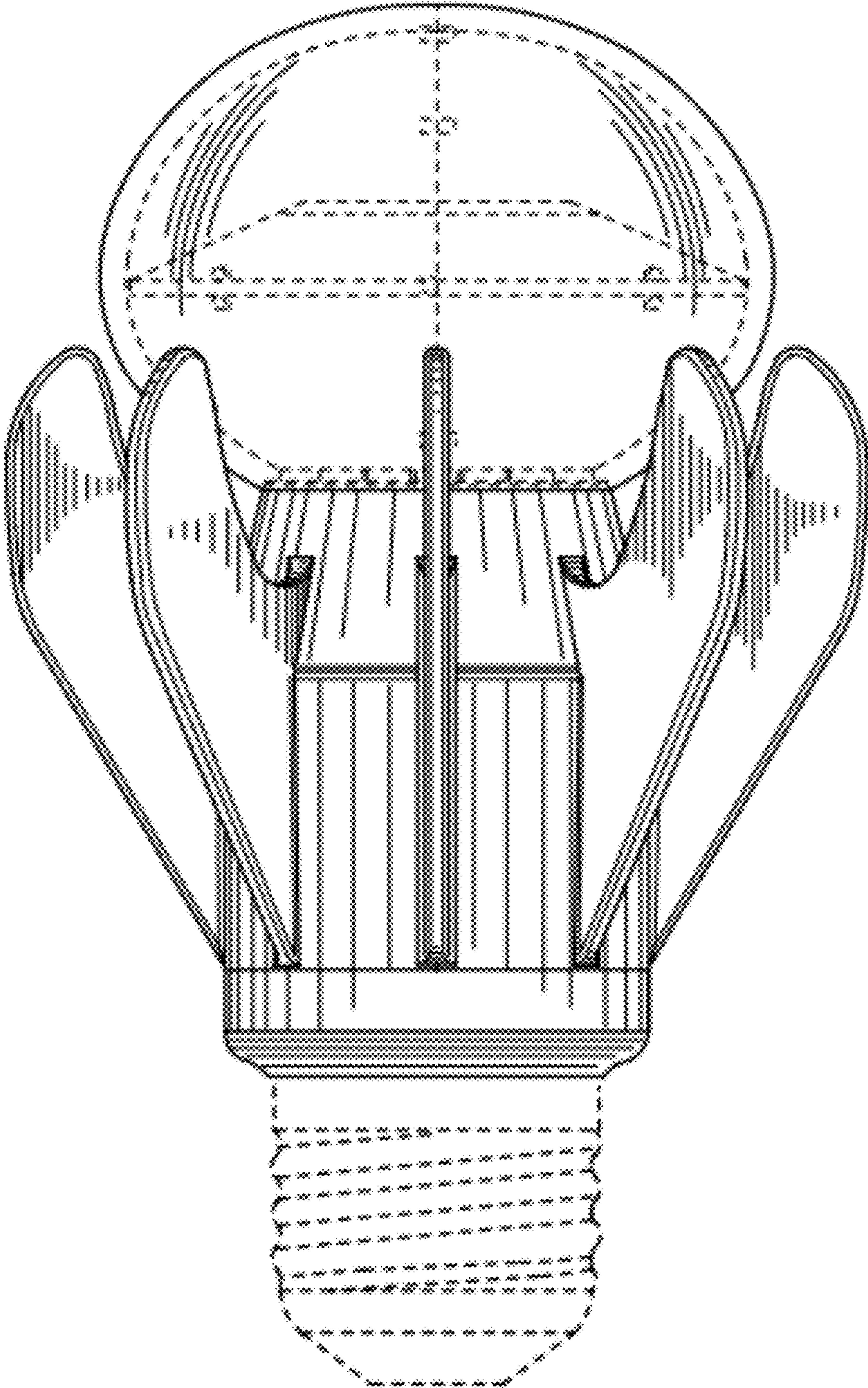


Figure 6

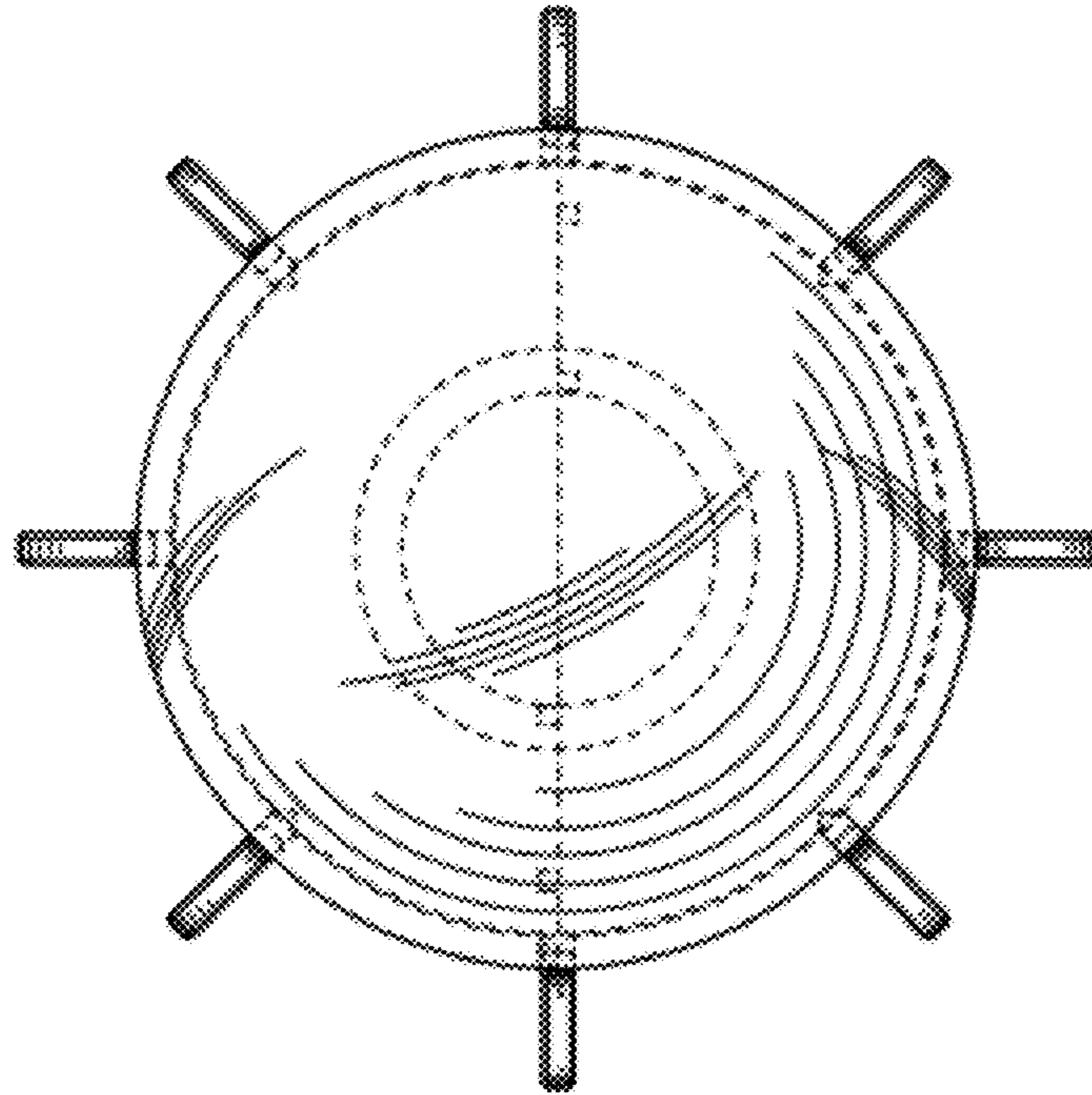


Figure 7

