

US00D660989S

(12) **United States Design Patent**
Atchley

(10) **Patent No.:** **US D660,989 S**

(45) **Date of Patent:** **** May 29, 2012**

(54) **ROOF RIDGE COVER WITH VENT PAD**

(76) Inventor: **Mitch Atchley**, Yorba Linda, CA (US)

(**) Term: **14 Years**

(21) Appl. No.: **29/385,747**

(22) Filed: **Feb. 18, 2011**

Related U.S. Application Data

(63) Continuation-in-part of application No. 29/377,116, filed on Oct. 18, 2010.

(51) **LOC (9) Cl.** **25-01**

(52) **U.S. Cl.** **D25/139; D25/143**

(58) **Field of Classification Search** D25/139,
D25/143; 52/41, 42, 43, 555, 554, 547, 272,
52/255, 276, 287.1

See application file for complete search history.

(56) **References Cited**

U.S. PATENT DOCUMENTS

1,470,054 A	10/1923	Broughton
1,653,847 A	12/1927	Greenstreet
1,861,998 A	6/1932	Bennett
1,963,583 A	6/1934	Jenkins
2,160,642 A	5/1939	Bumpas et al.
2,255,247 A	5/1941	Gabriel
2,725,832 A	12/1955	Huntington
3,073,235 A	1/1963	Smith et al.
3,114,218 A	12/1963	MacQuere
3,164,929 A	1/1965	Boddie
3,731,438 A	5/1973	Kough
3,760,546 A	9/1973	Martin et al.

3,953,946 A	5/1976	Peters et al.
4,015,374 A	4/1977	Epstein et al.
4,015,391 A	4/1977	Epstein et al.
4,024,685 A	5/1977	Aarons
4,322,924 A	4/1982	Cooper
4,554,862 A	11/1985	Wolfert
4,685,265 A	8/1987	Cooper
4,788,801 A	12/1988	Jones
5,636,490 A	6/1997	Stocksieker
5,881,501 A	3/1999	Guffey
7,178,294 B2 *	2/2007	Jolitz 52/43
D569,014 S *	5/2008	Coates D25/139

* cited by examiner

Primary Examiner — Doris Clark

(74) *Attorney, Agent, or Firm* — Kirk A. Buhler; Buhler & Associates

(57) **CLAIM**

The ornamental design for a roof ridge cover with vent pad, as shown and described.

DESCRIPTION

FIG. 1 is a top elevation view for a roof ridge cover with vent pad showing my new design;

FIG. 2 is a bottom elevation view thereof;

FIG. 3 is a right elevation view thereof;

FIG. 4 is a left elevation view thereof;

FIG. 5 is a front elevation view thereof;

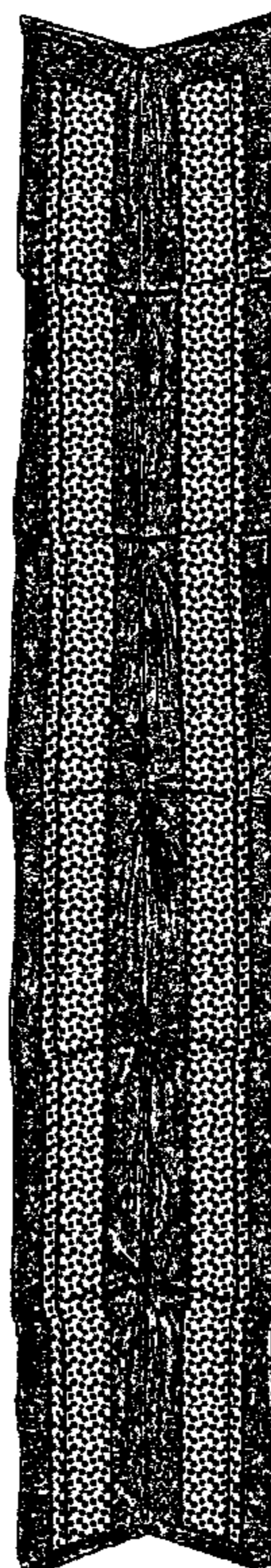
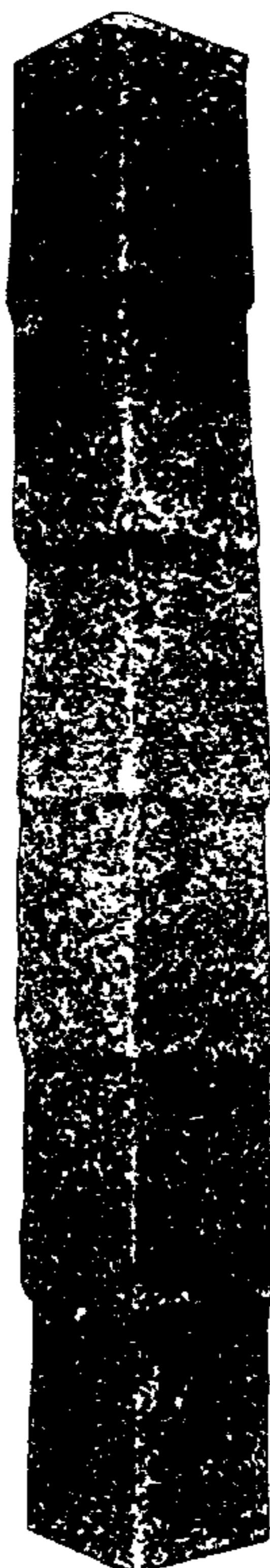
FIG. 6 is a back elevation view thereof;

FIG. 7 is a bottom front perspective view thereof;

FIG. 8 is a top front perspective view thereof; and,

FIG. 9 is a top back perspective view thereof.

1 Claim, 4 Drawing Sheets



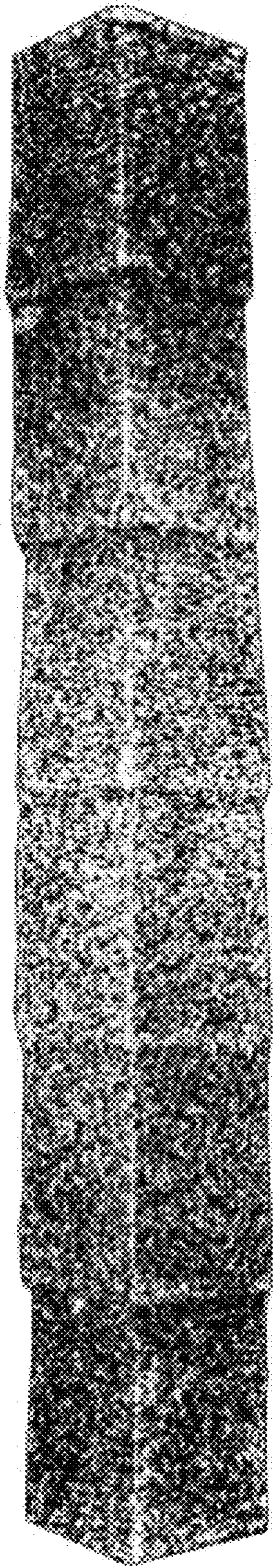


FIG. 1

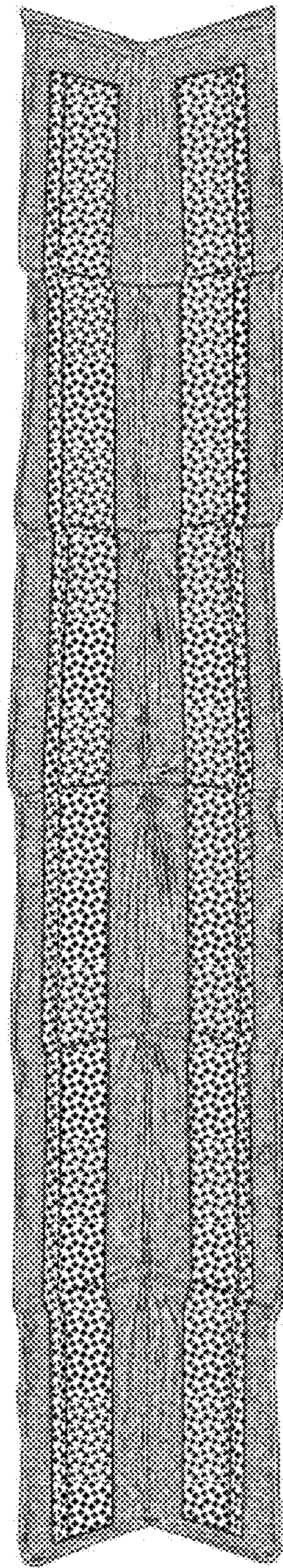


FIG. 2

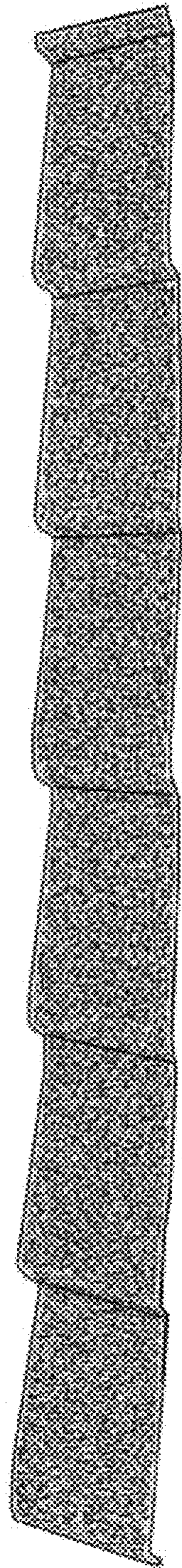


FIG. 3

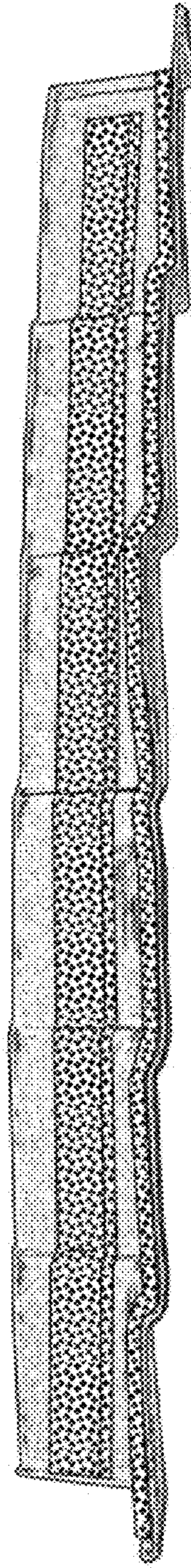


FIG. 4

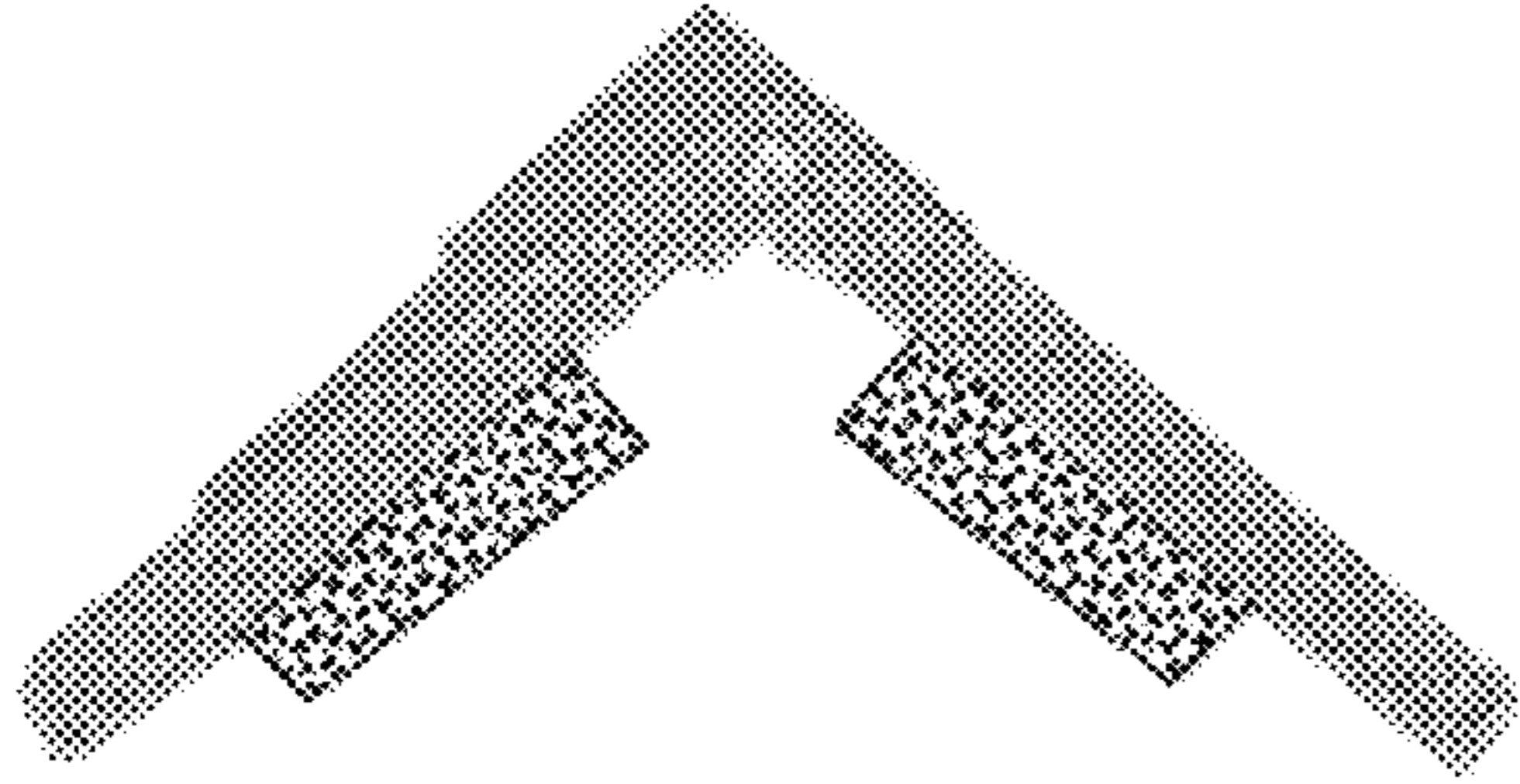


FIG. 5

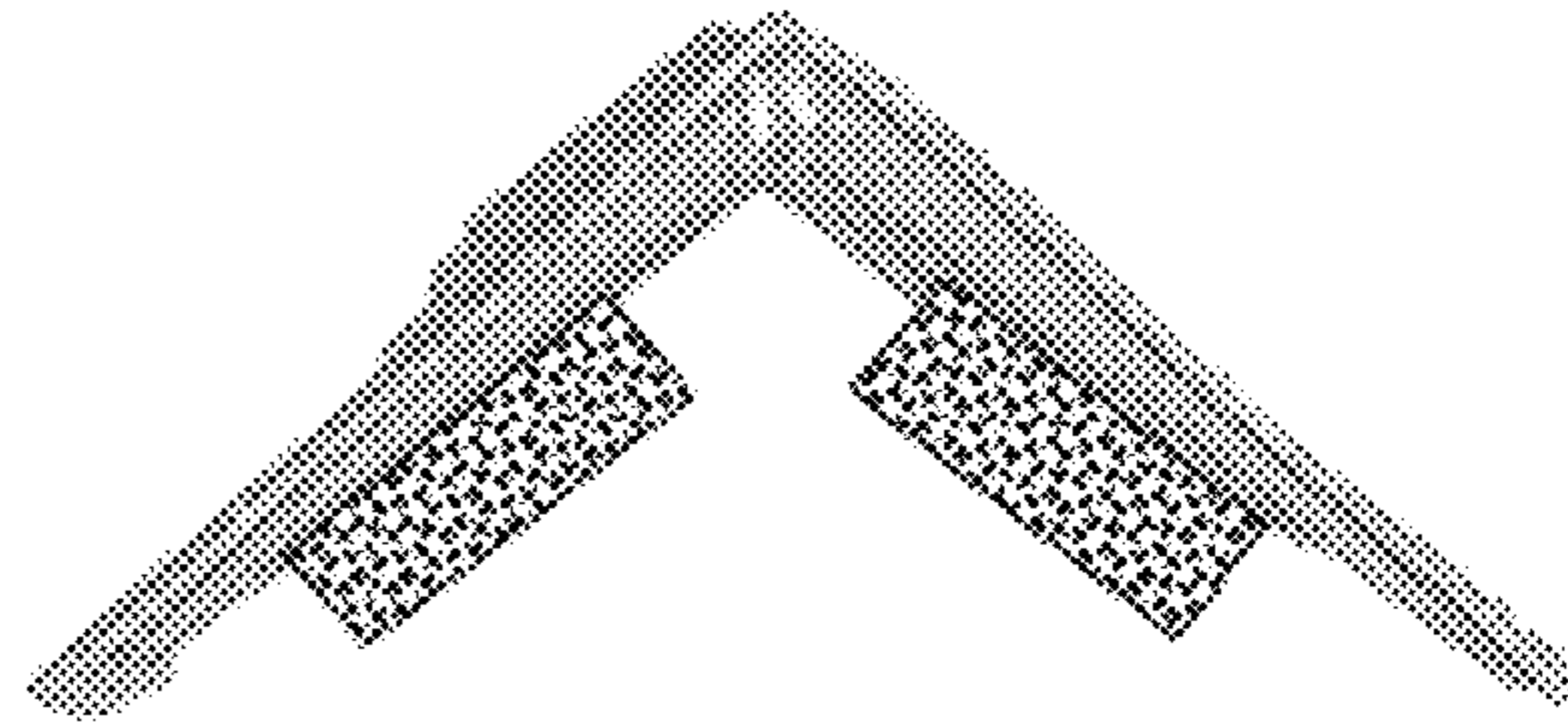


FIG. 6

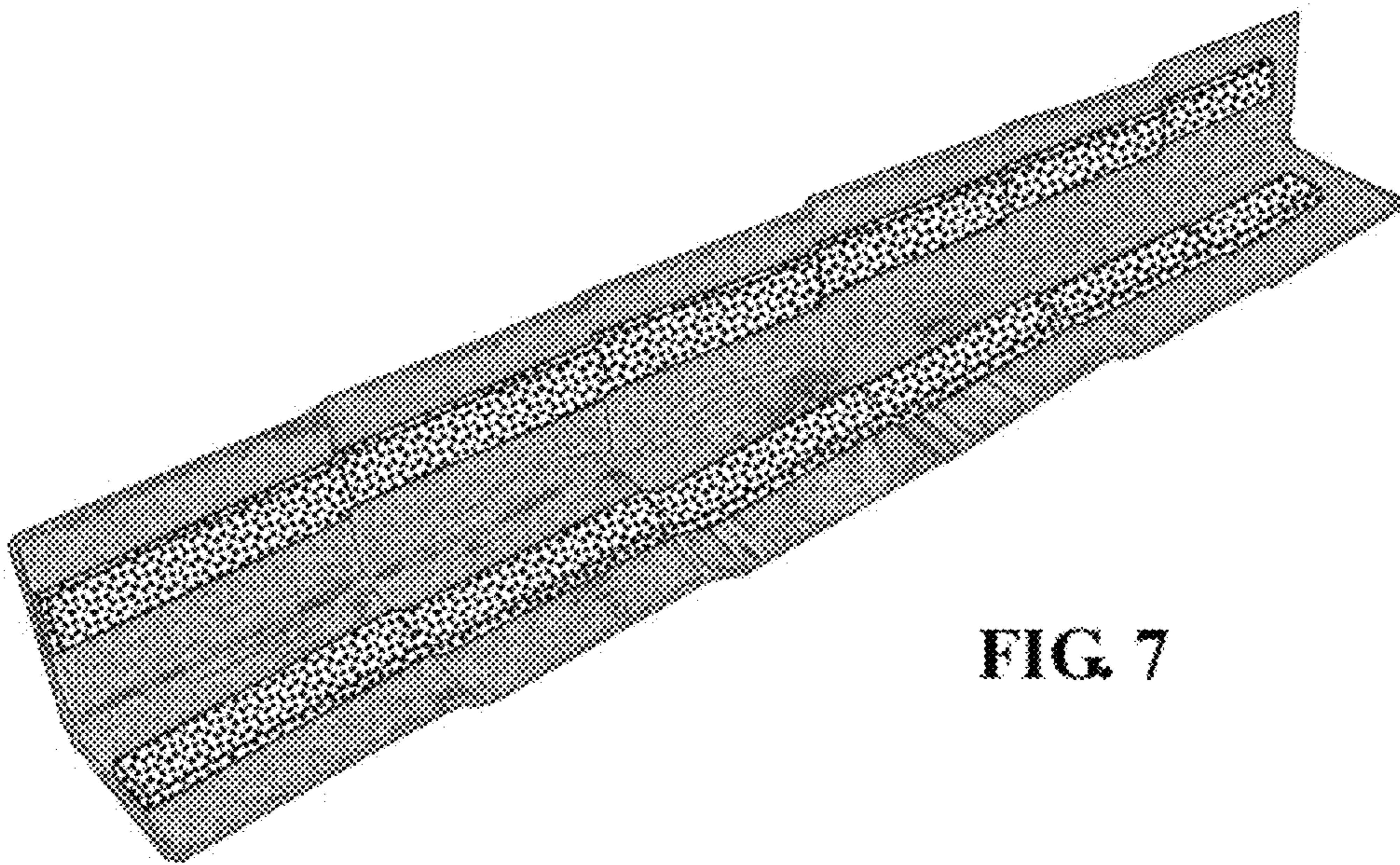


FIG. 7

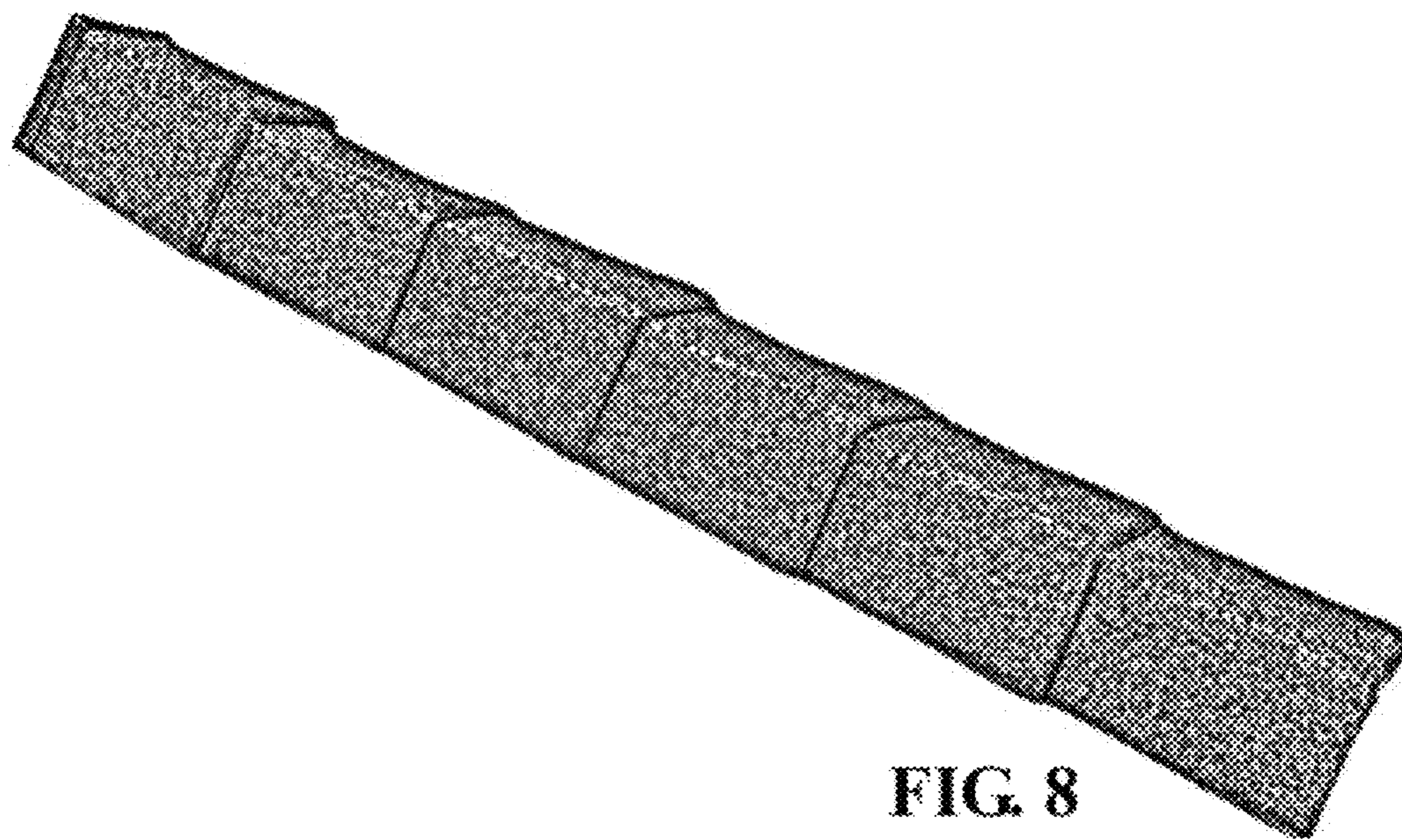


FIG. 8

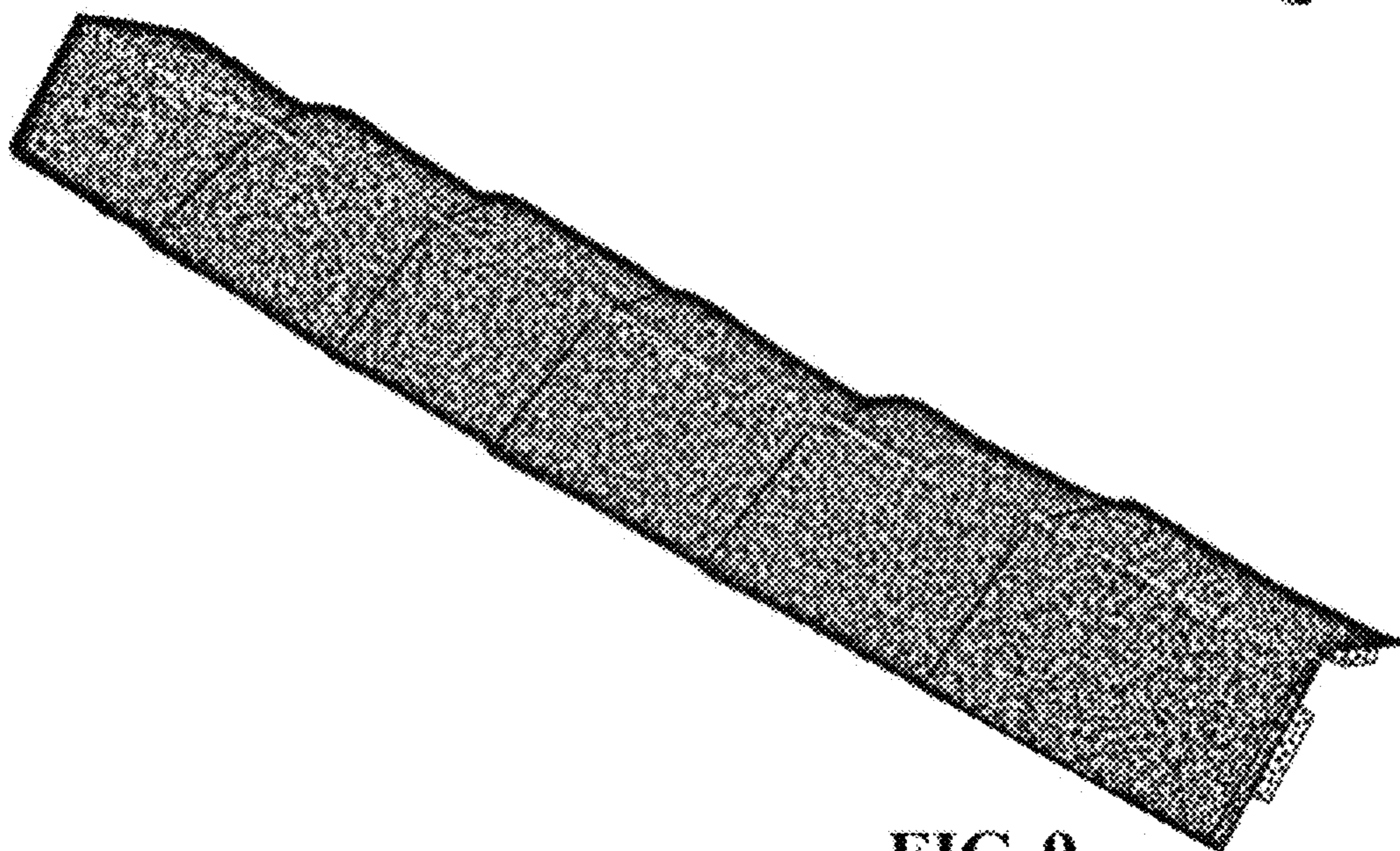


FIG. 9