

US00D660986S

(12) **United States Design Patent**
Meyer et al.

(10) **Patent No.:** **US D660,986 S**

(45) **Date of Patent:** **** May 29, 2012**

(54) **SUPPORT ARM AND HUB ASSEMBLY FOR A FENCE POST**

(75) Inventors: **Dennis E. Meyer**, Brookville, OH (US);
Robert B. Meyer, Lewisburg, OH (US);
Wilbur N. Meyer, Brookville, OH (US)

(73) Assignee: **Bulldog Tools, Inc.**, Lewisburg, OH (US)

(**) Term: **14 Years**

(21) Appl. No.: **29/373,697**

(22) Filed: **May 13, 2011**

(51) **LOC (9) Cl.** **25-01**

(52) **U.S. Cl.** **D25/128; D25/134**

(58) **Field of Classification Search** D25/127,
D25/128, 134; D6/327, 556; 248/214; 40/617;
211/107, 87.01, 88.03, 100; 47/44, 47, 67,
47/46

See application file for complete search history.

(56) **References Cited**

U.S. PATENT DOCUMENTS

3,494,582	A *	2/1970	Nemeth	211/107
D247,337	S *	2/1978	Chasen	D6/556
4,250,647	A	2/1981	Woodard		
4,503,636	A	3/1985	Stuckey		
4,519,162	A	5/1985	Stuckey		
5,440,834	A	8/1995	Kleinert		

5,595,019	A	1/1997	Foreman		
5,690,239	A *	11/1997	Ballard	211/189
5,752,341	A	5/1998	Goldfarb		
D398,064	S *	9/1998	Pierce, Jr.	D25/134
D407,161	S *	3/1999	Daugherty et al.	D25/128
6,681,520	B1	1/2004	Kleinert		

* cited by examiner

Primary Examiner — Doris Clark

(74) *Attorney, Agent, or Firm* — Jacox, Meckstroth & Jenkins

(57) **CLAIM**

The ornamental design of a support arm and hub assembly for a fence post, as shown and described.

DESCRIPTION

FIG. 1 is a perspective view of a support arm and hub assembly for a fence post and showing our new design;

FIG. 2 top view thereof;

FIG. 3 is a bottom view thereof;

FIG. 4 is a side view thereof, the opposite side view being a mirror image;

FIG. 5 is an end view thereof; and,

FIG. 6 is an opposite end view thereof.

The fragment of a vertical fence post shown in phantom in FIG. 1 is for illustrative purpose only and forms no part of the claimed design.

1 Claim, 2 Drawing Sheets

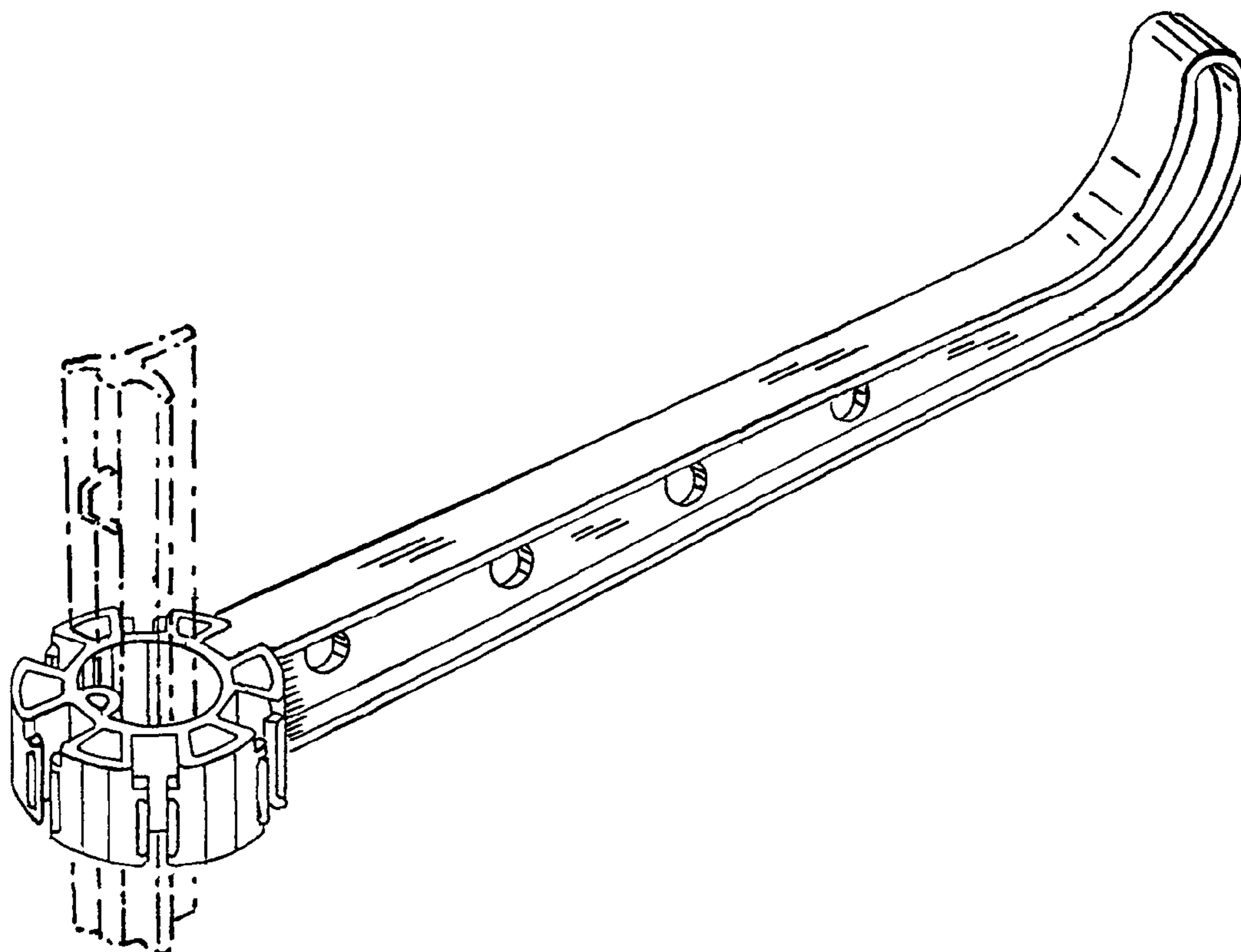


FIG. 1

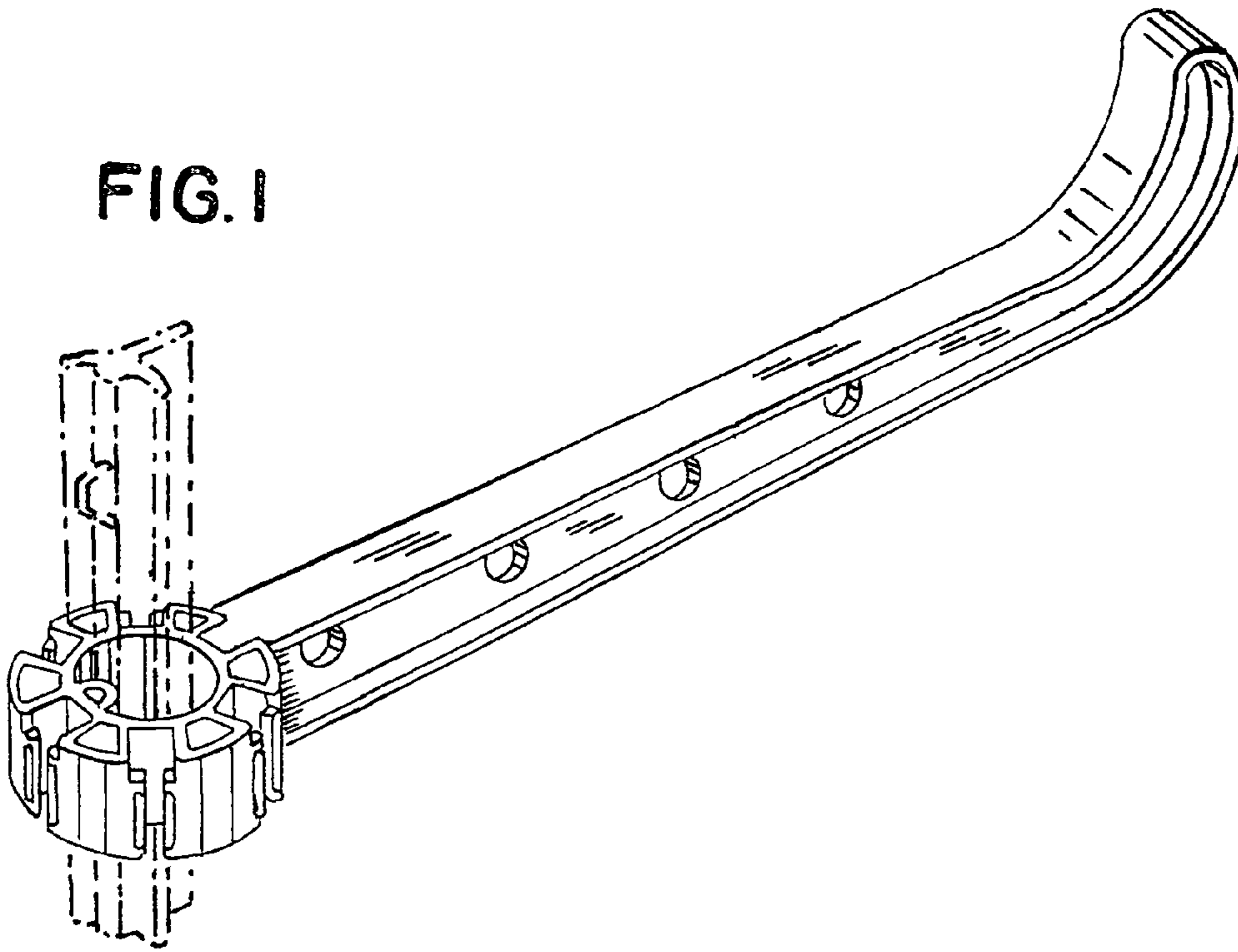


FIG. 2

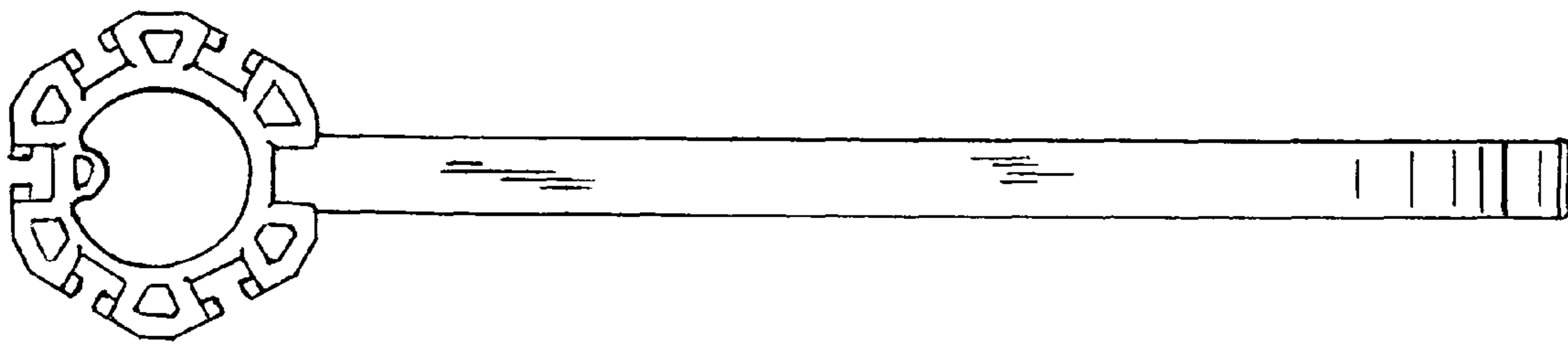


FIG. 3

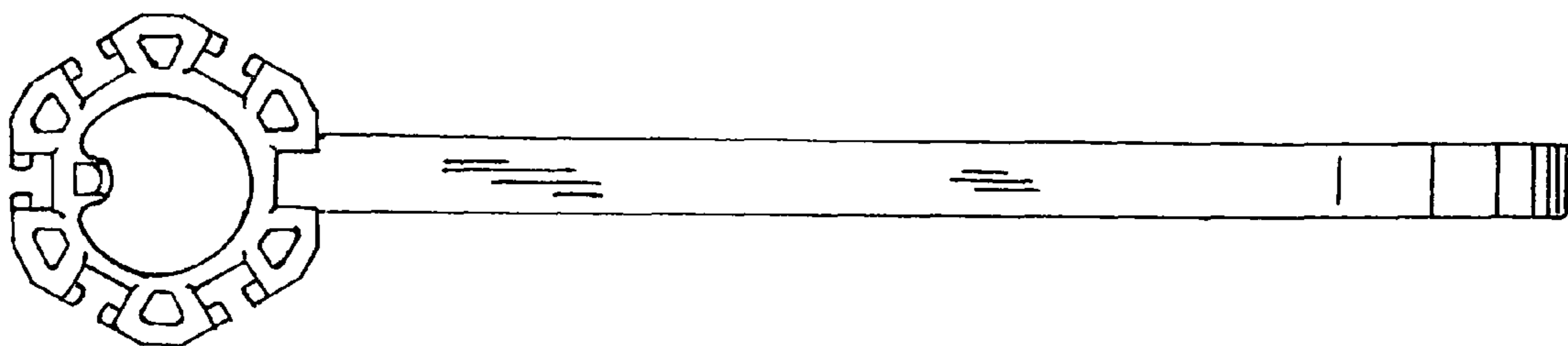


FIG. 4

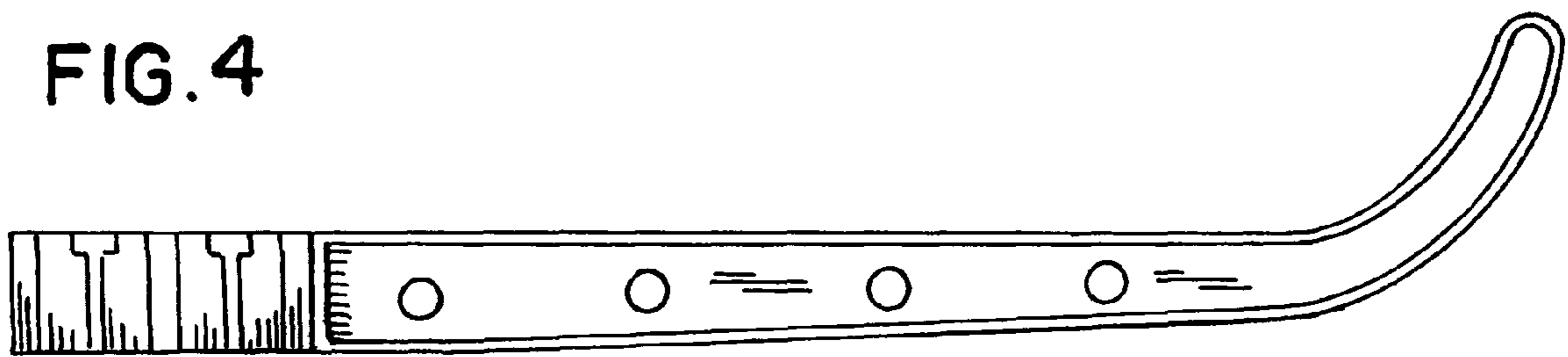


FIG. 5

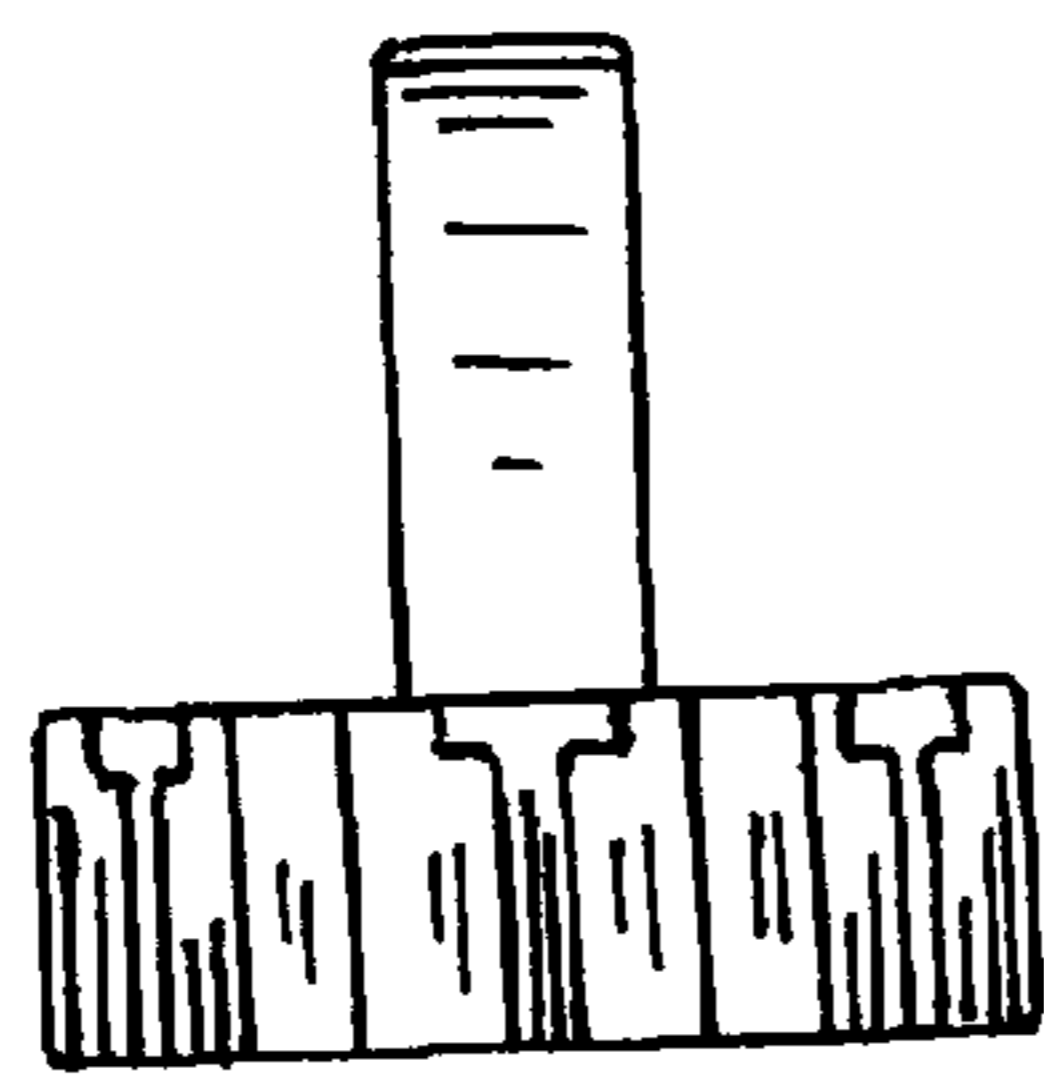


FIG. 6

