

US00D660981S

(12) **United States Design Patent**  
**Randall**

(10) **Patent No.:** **US D660,981 S**

(45) **Date of Patent:** **\*\* May 29, 2012**

(54) **SCISSOR LADDER**

*Primary Examiner* — Doris Clark

(76) Inventor: **Garlen Randall**, Monterey, LA (US)

(74) *Attorney, Agent, or Firm* — R. Keith Harrison

(\*\*) Term: **14 Years**

(21) Appl. No.: **29/374,276**

(57) **CLAIM**

The ornamental design for a scissor ladder, as shown and described.

(22) Filed: **Jul. 21, 2011**

(51) **LOC (9) Cl.** ..... **25-04**

(52) **U.S. Cl.** ..... **D25/64**

(58) **Field of Classification Search** ..... D25/62,  
D25/64; 182/21, 40, 41, 70, 76, 100, 178.1,  
182/189, 190, 95

See application file for complete search history.

**DESCRIPTION**

FIG. 1 is a front perspective view of the scissor ladder; FIG. 2 is a left side view of the scissor ladder; FIG. 3 is a right side view of the scissor ladder; FIG. 4 is a top view of the scissor ladder; FIG. 5 is a bottom view of the scissor ladder; FIG. 6 is a front view of the scissor ladder; FIG. 7 is a rear view of the scissor ladder; and, FIG. 8 is a front perspective view of the scissor ladder leaning against a tree, which tree is shown in broken lines and does not form a part of the claimed design. The broken line showing of various portions of the scissor ladder in FIGS. 1-8 and of the tree in FIG. 8 forms no part of the claimed design.

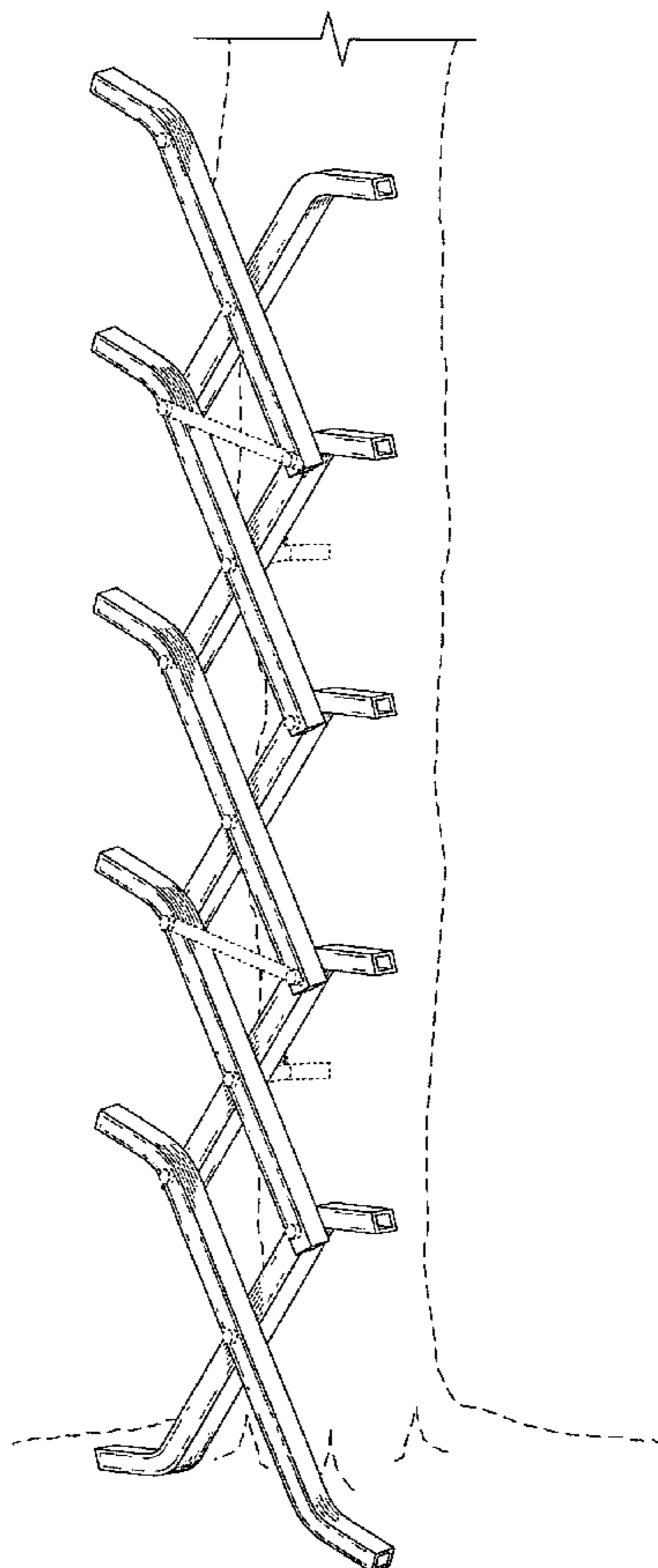
(56) **References Cited**

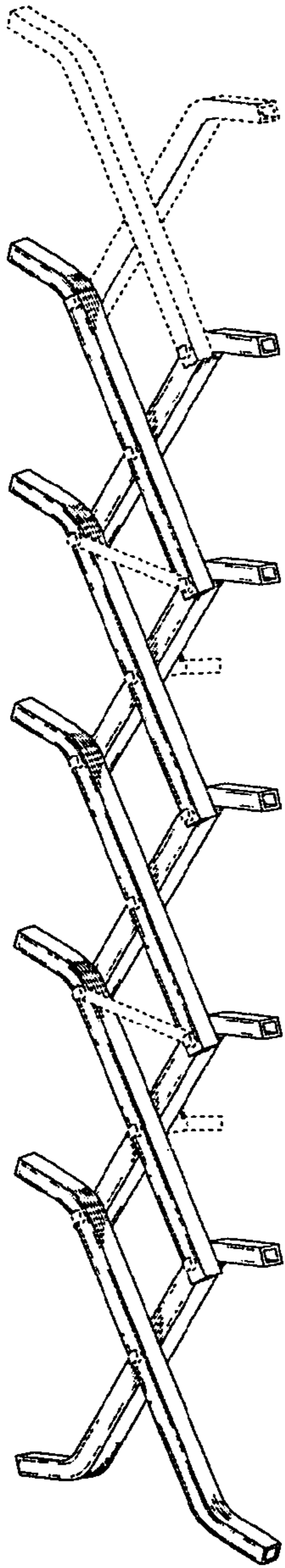
U.S. PATENT DOCUMENTS

936,681	A	10/1909	Union	
2,182,277	A	12/1939	Boor	
2,462,626	A	2/1949	Forster	
2,798,653	A	7/1957	Morrow	
2,852,175	A *	9/1958	Scott et al.	182/95
4,076,102	A	2/1978	Desarzens et al.	
5,725,069	A	3/1998	Sullivan	
D417,011	S *	11/1999	Woller et al.	D25/64
D609,365	S *	2/2010	Smith	D25/64

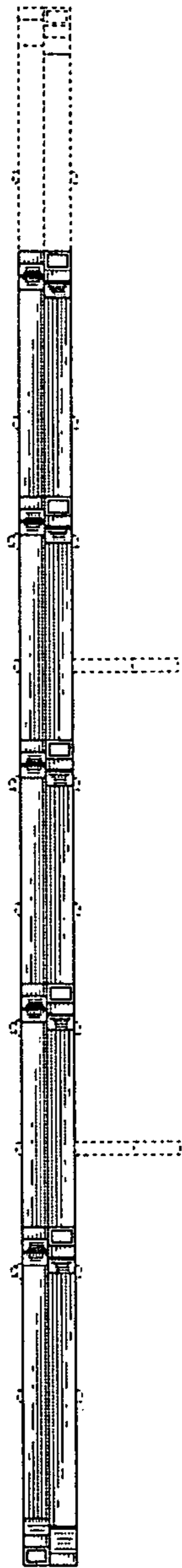
\* cited by examiner

**1 Claim, 3 Drawing Sheets**

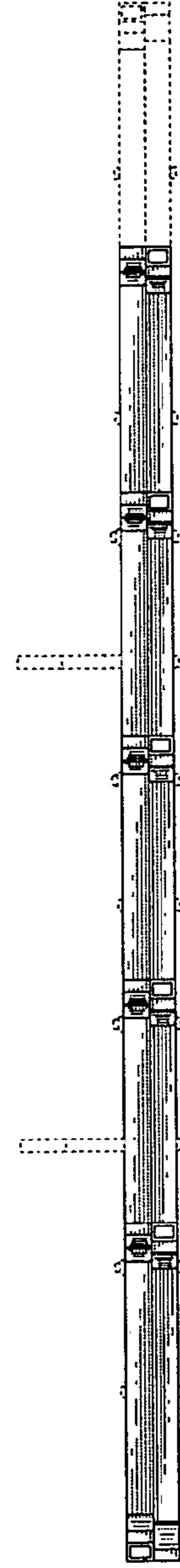




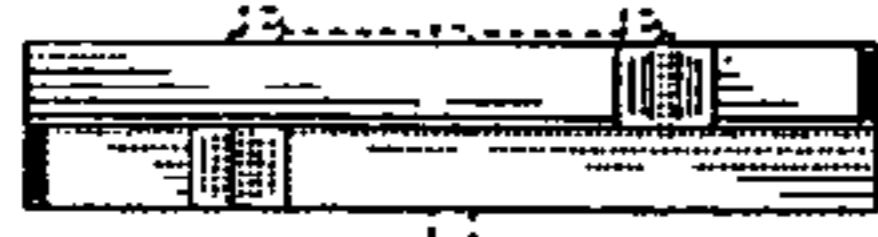
**FIG. 1**



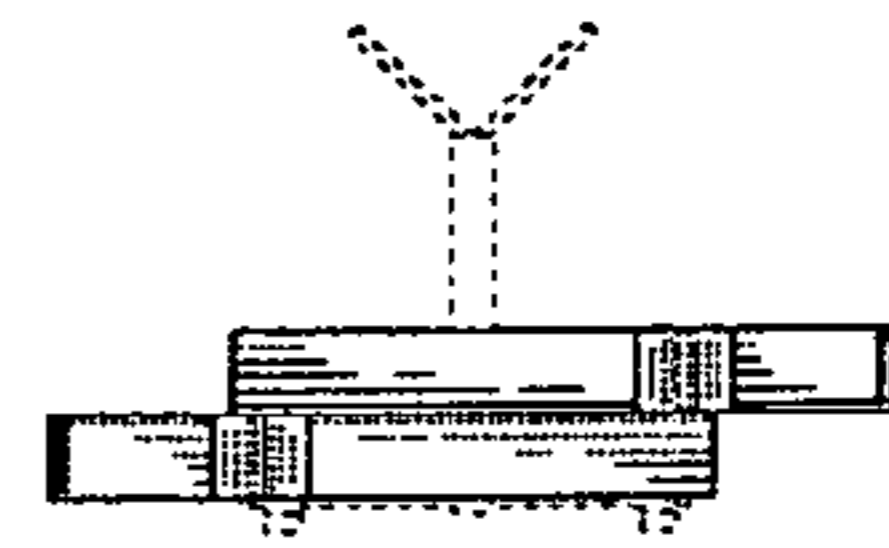
**FIG. 2**



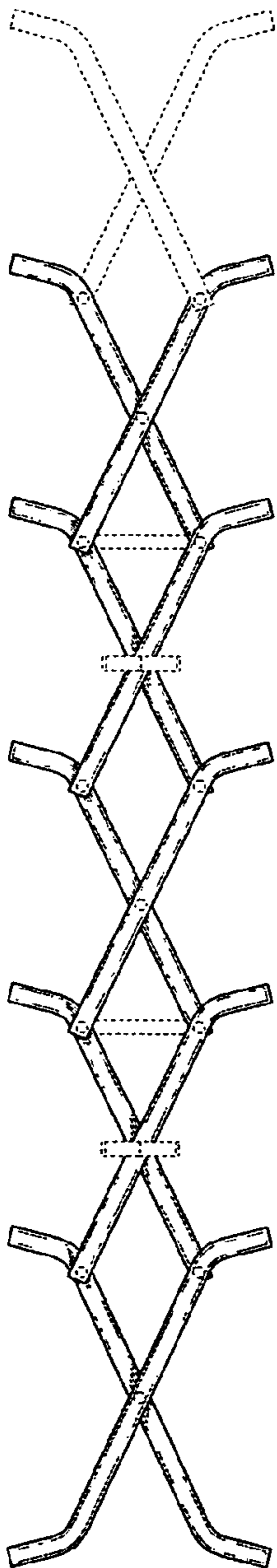
**FIG. 3**



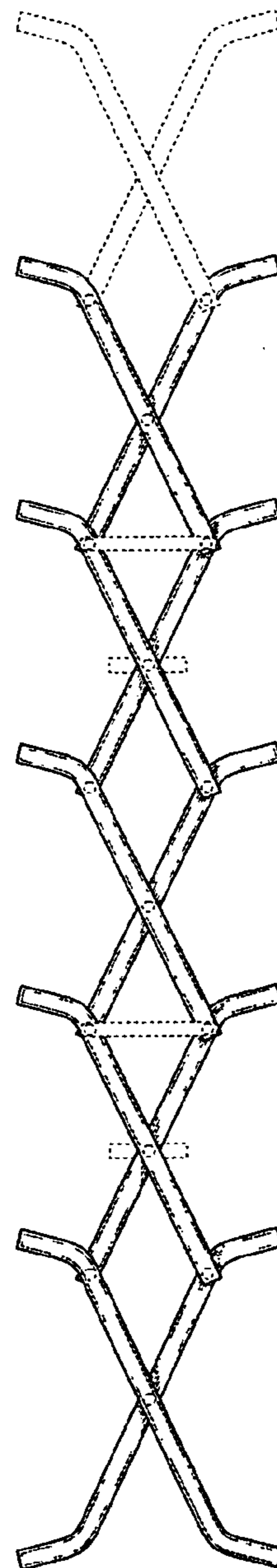
**FIG. 4**



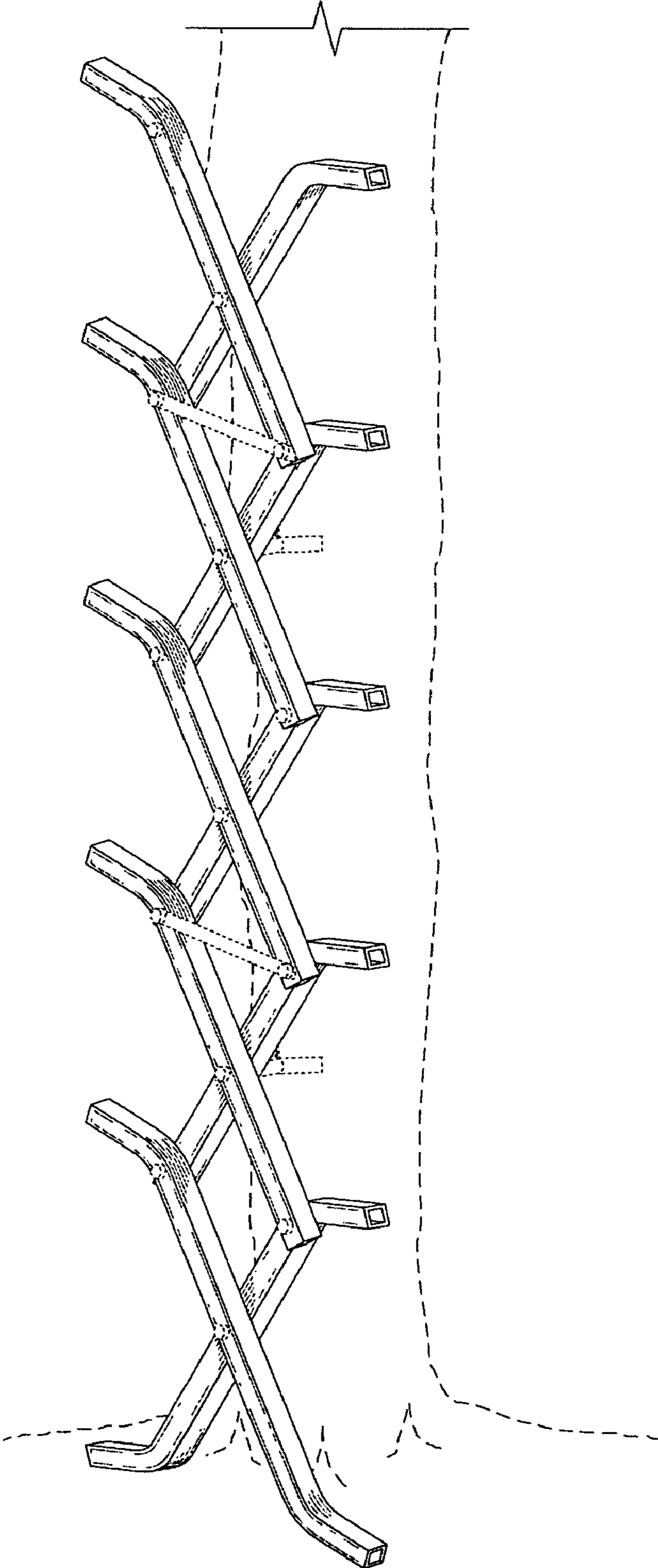
**FIG. 5**



**FIG. 6**



**FIG. 7**



**FIG. 8**