

US00D660977S

(12) **United States Design Patent**
Wagner et al.

(10) **Patent No.:** **US D660,977 S**

(45) **Date of Patent:** **** May 29, 2012**

(54) **LATERAL FLOW DEVICE**

(75) Inventors: **Scott William Wagner**, York, ME (US);
Frank Alvin Winslow, Scarborough,
ME (US)

(73) Assignee: **Idexx Laboratories, Inc.**, Westbrook,
ME (US)

(**) Term: **14 Years**

(21) Appl. No.: **29/383,925**

(22) Filed: **Jan. 24, 2011**

(51) **LOC (9) Cl.** **24-02**

(52) **U.S. Cl.** **D24/223**

(58) **Field of Classification Search** D10/81;
D24/223-225, 227, 229, 216; 422/58, 56,
422/55, 104, 102, 99, 68.1, 82.5; 435/212,
435/219, 252.3, 320.1, 325, 810, 975, 970,
435/969, 287.2, 297.3, 288.3, 288.4, 288.5,
435/806; 436/514, 805, 808, 806, 809, 810,
436/164, 168, 169, 170; 424/94.65; 536/23.2

See application file for complete search history.

(56) **References Cited**

U.S. PATENT DOCUMENTS

D467,348 S * 12/2002 McMichael et al. D24/223
2012/0021528 A1 * 1/2012 Jerome et al. 436/164
* cited by examiner

Primary Examiner — Antoine D Davis

(74) *Attorney, Agent, or Firm* — McDonnell Boehnen
Hulbert & Berghoff LLP

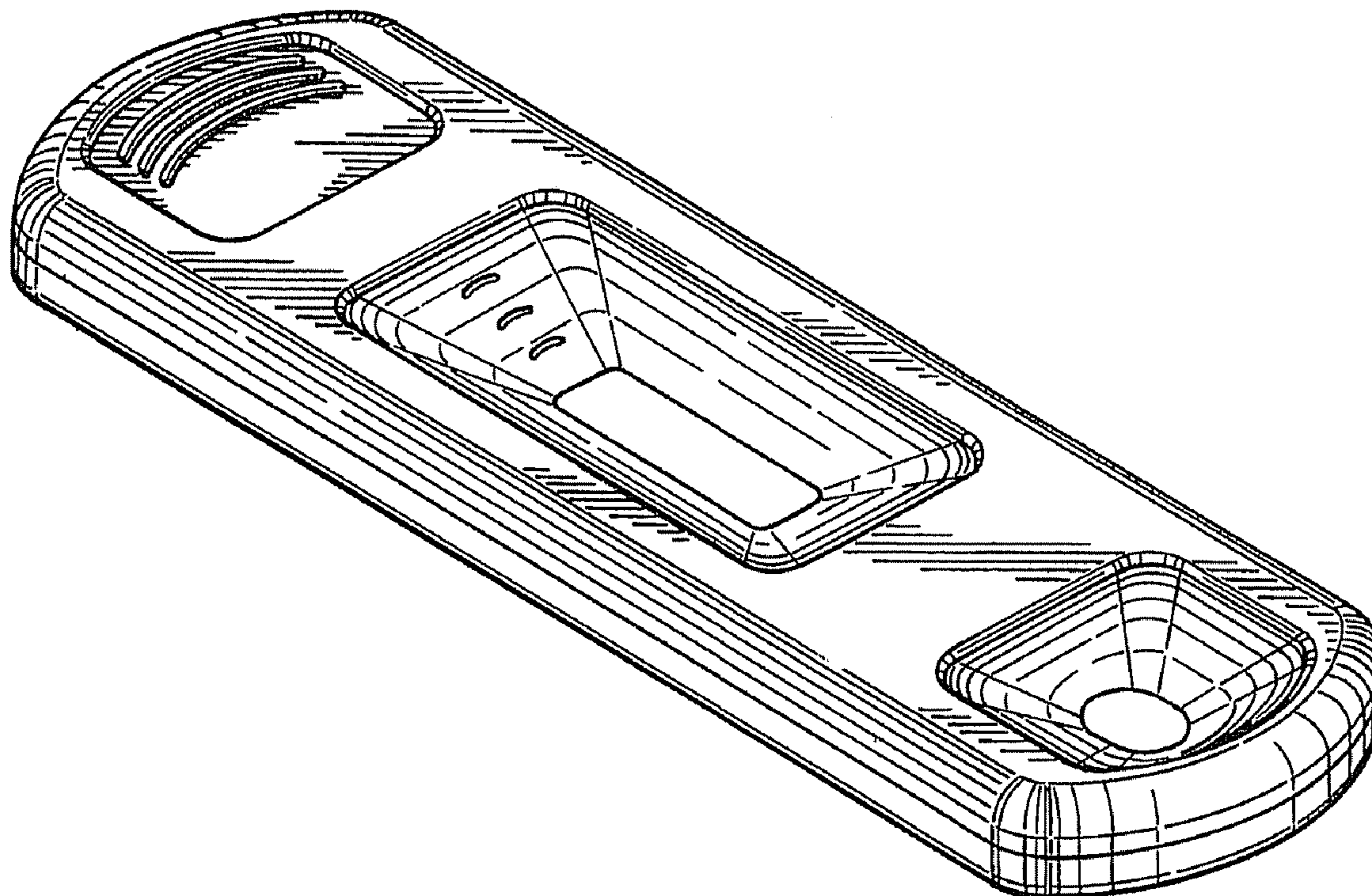
(57) **CLAIM**

The ornamental design for a lateral flow device, as shown and
described.

DESCRIPTION

FIG. 1 is a perspective view of a lateral flow device;
FIG. 2 is a front view of the lateral flow device shown in FIG.
1;
FIG. 3 is a top view of the lateral flow device shown in FIG.
1;
FIG. 4 is a side view of the lateral flow device shown in FIG.
1; and,
FIG. 5 is a bottom view of the lateral flow device shown in
FIG. 1.

1 Claim, 1 Drawing Sheet



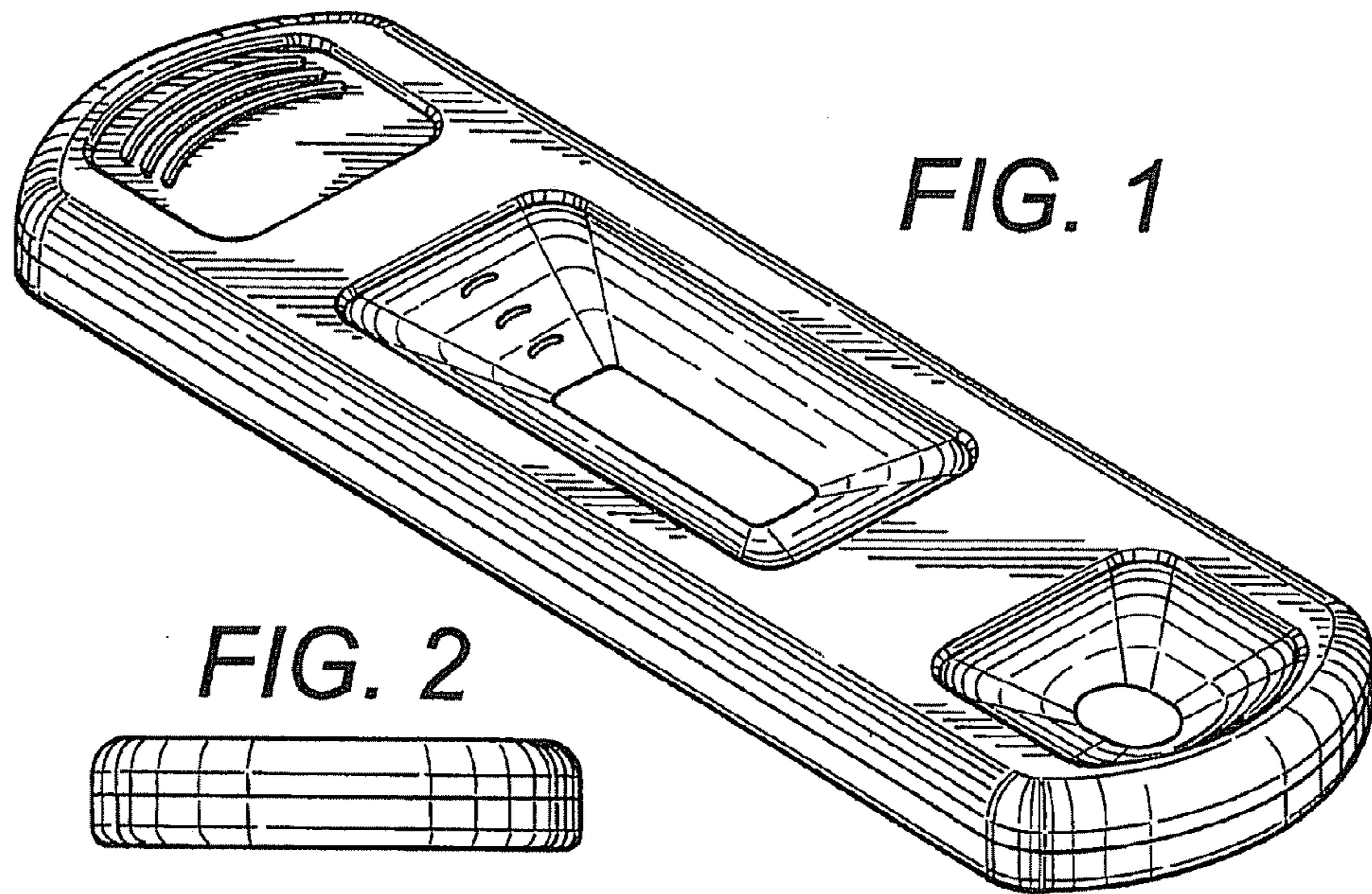


FIG. 2



FIG. 3

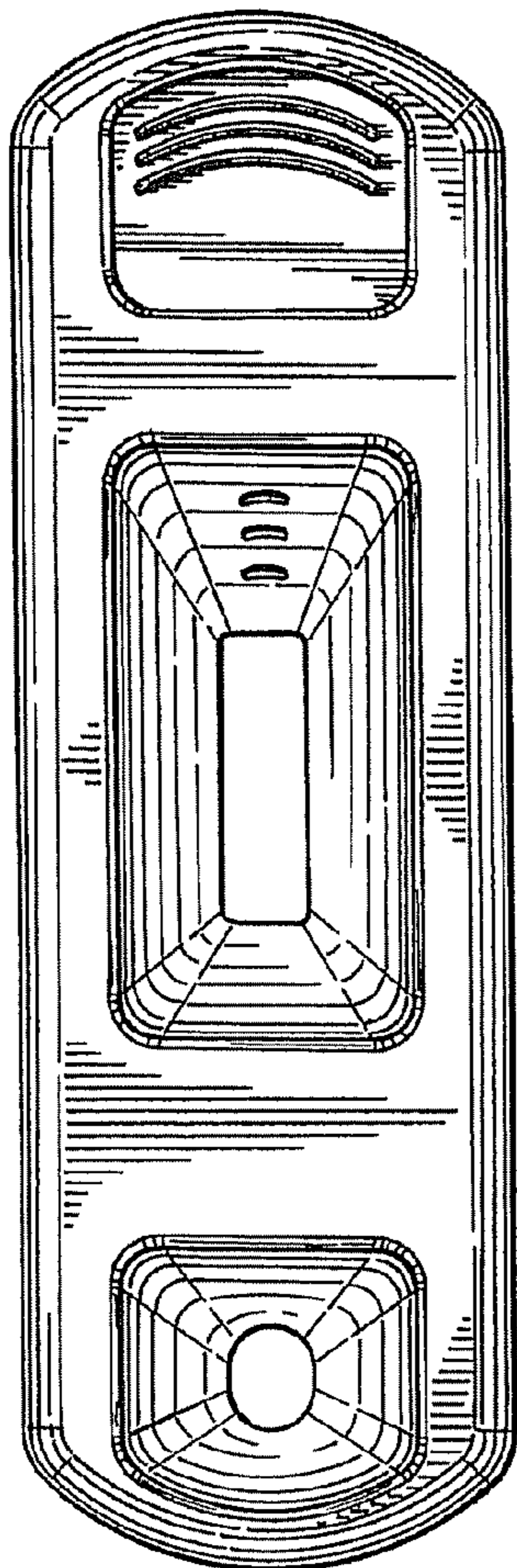


FIG. 4



FIG. 5

