



US00D660975S

(12) **United States Design Patent**
Kyle et al.

(10) **Patent No.:** **US D660,975 S**
(45) **Date of Patent:** **** May 29, 2012**

(54) **FLUID CONCENTRATOR**

(75) Inventors: **Matthew R. Kyle**, Wayzata, MN (US);
Timothy A. Bachman, Saint Paul, MN (US)

(73) Assignee: **Circle Biologies, Inc.**, Minneapolis, MN (US)

(**) Term: **14 Years**

(21) Appl. No.: **29/385,434**

(22) Filed: **Feb. 14, 2011**

Related U.S. Application Data

(63) Continuation of application No. 29/337,513, filed on May 22, 2009, now Pat. No. Des. 632,801.

(51) **LOC (9) Cl.** **24-01**

(52) **U.S. Cl.** **D24/219**

(58) **Field of Classification Search** D24/219,
D24/217, 22, 164, 167, 107, 165, 169, 186,
D24/108, 224, 232; 422/10, 12, 16, 20, 60,
422/72, 64; 210/360.1, 360.2, 378, 321.79,
210/500.23, 781, 782

See application file for complete search history.

(56) **References Cited**

U.S. PATENT DOCUMENTS

3,669,789	A	6/1972	Berriman	
4,230,564	A	10/1980	Keefer	
4,282,180	A *	8/1981	Raible D24/169
D290,875	S *	7/1987	Badolato et al. D24/169
4,886,597	A	12/1989	Wild et al.	
D320,661	S *	10/1991	Sone D24/169
5,165,938	A	11/1992	Knighton	
5,230,862	A *	7/1993	Berry et al. 210/321.79
5,234,663	A *	8/1993	Jones et al. 210/321.79
D351,909	S *	10/1994	Nogawa et al. D24/169
D370,263	S *	5/1996	Falkenberg et al. D24/224
5,733,545	A	3/1998	Hood, III	
5,891,347	A	4/1999	Matsumoto	
D417,634	S *	12/1999	Aebi et al. D24/232
6,010,627	A	1/2000	Hood, III	
6,027,655	A	2/2000	Holm	

6,106,727	A	8/2000	Krasnoff et al.	
6,132,613	A	10/2000	Hopkin et al.	
6,342,157	B1	1/2002	Hood, III	
6,524,568	B2	2/2003	Worden	
D483,490	S *	12/2003	Ghidoli D24/169
D490,527	S *	5/2004	Ijiri D24/169
D527,106	S *	8/2006	Baker et al. D24/164
D539,899	S *	4/2007	Kataoka D24/108
7,354,515	B2	4/2008	Coull et al.	
D603,525	S *	11/2009	Foreman et al. D24/232
2006/0060521	A1	3/2006	Harms et al.	

OTHER PUBLICATIONS

Cell Factor Technologies, Inc., 2004, GPS Platelet Concentration System; 10 pages.
Harvest Technologies Corp., 2002, Developing Technologies for Accelerating Healing Naturally; 6 pages.
Medtronic Biologic Therapeutics & Diagnostics, 2002, Magellan Autologous Platelet Separator; 6 pages.
Osseous Technologies, Inc., Platelet Concentrate Collection System, Instructions for Use; 7 pages.
“The ABCs of Filtration and Bioprocessing for the Third Millennium,” The ABCs of Filtration, Spectrum Labs.Com, 2002; 72 pages.

* cited by examiner

Primary Examiner — David Muller

(74) *Attorney, Agent, or Firm* — Merchant & Gould P.C.

(57) **CLAIM**

The ornamental design for a fluid concentrator, as shown and described.

DESCRIPTION

FIG. 1 is a perspective view of a fluid concentrator showing our new design.
FIG. 2 is a front elevation view thereof.
FIG. 3 is a back elevation view thereof.
FIG. 4 is a left elevation view thereof.
FIG. 5 is a right elevation view thereof.
FIG. 6 is a top plan view thereof; and,
FIG. 7 is a bottom plan view thereof.
The features shown in broken lines depict environmental subject matter only and form no part of the claimed design.

1 Claim, 7 Drawing Sheets

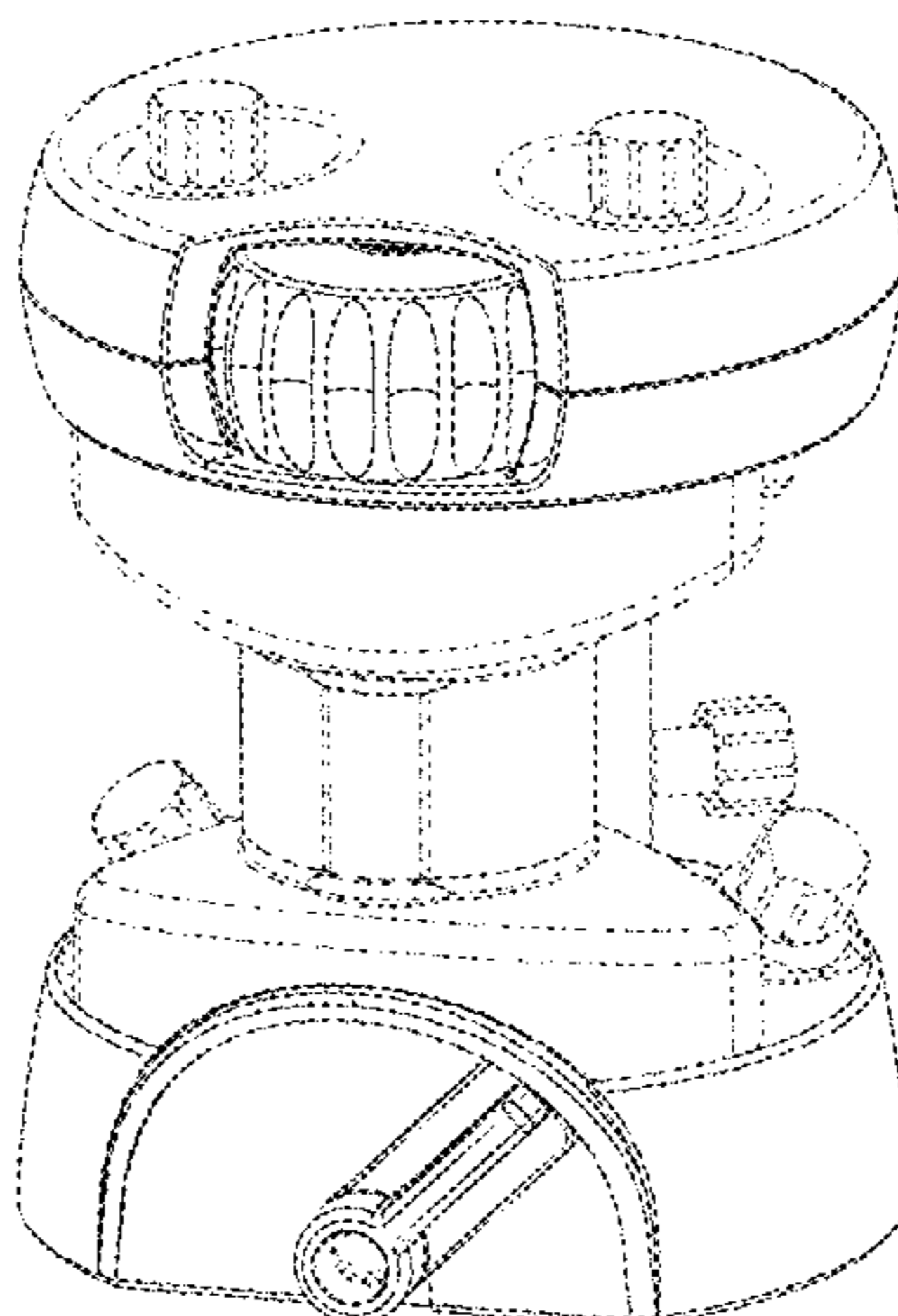


FIG. 1

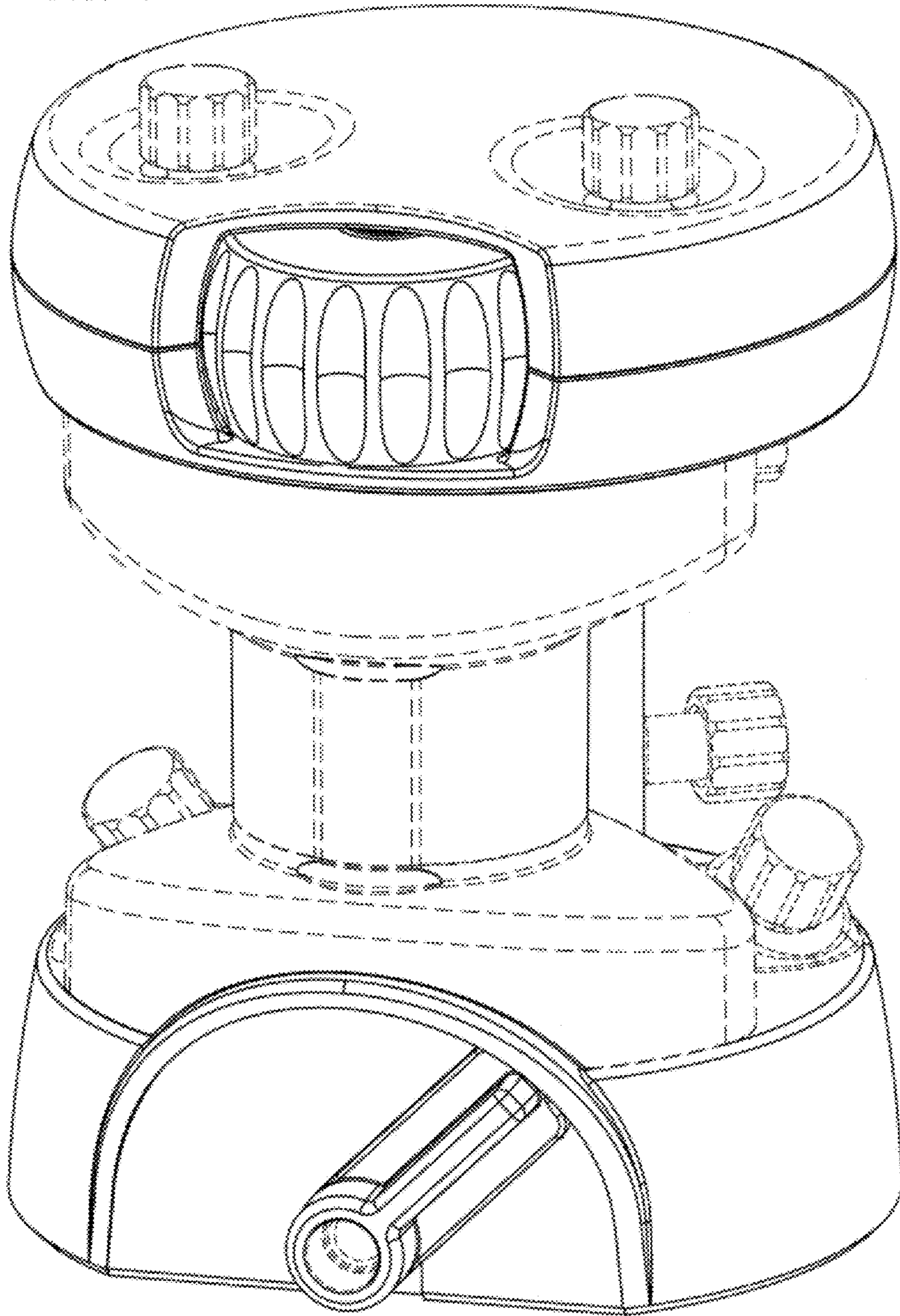


FIG. 2

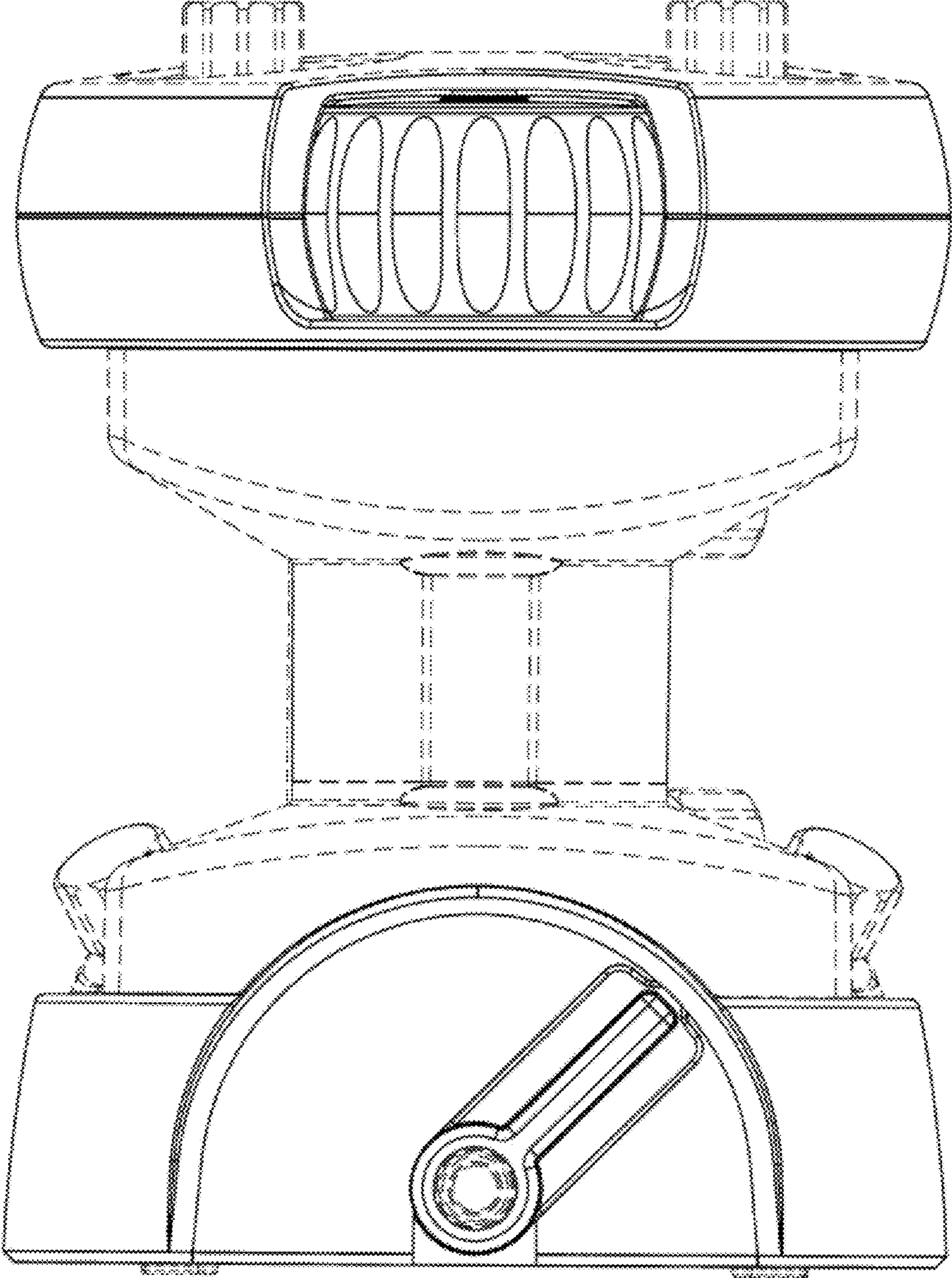


FIG. 3

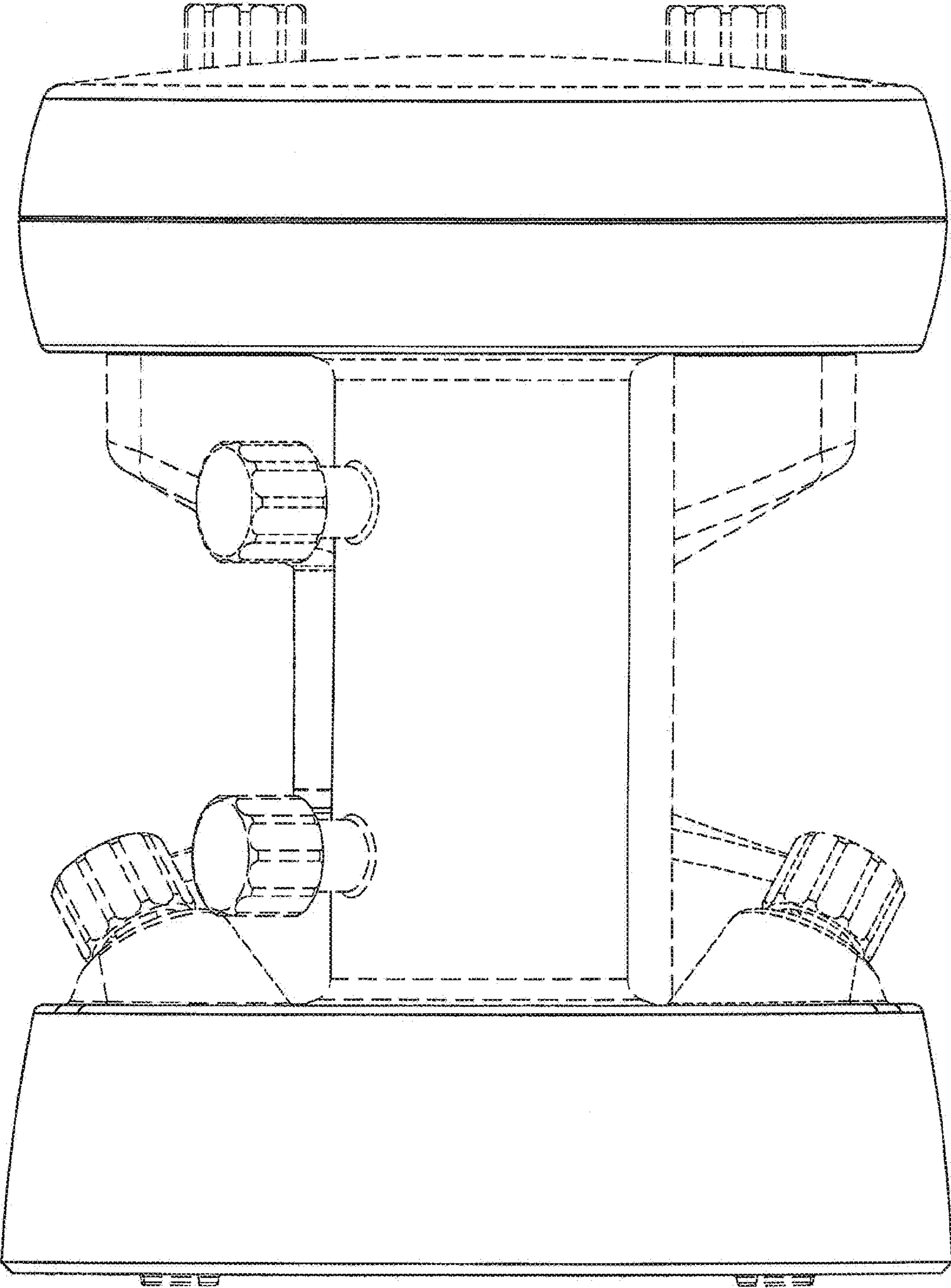


FIG. 4

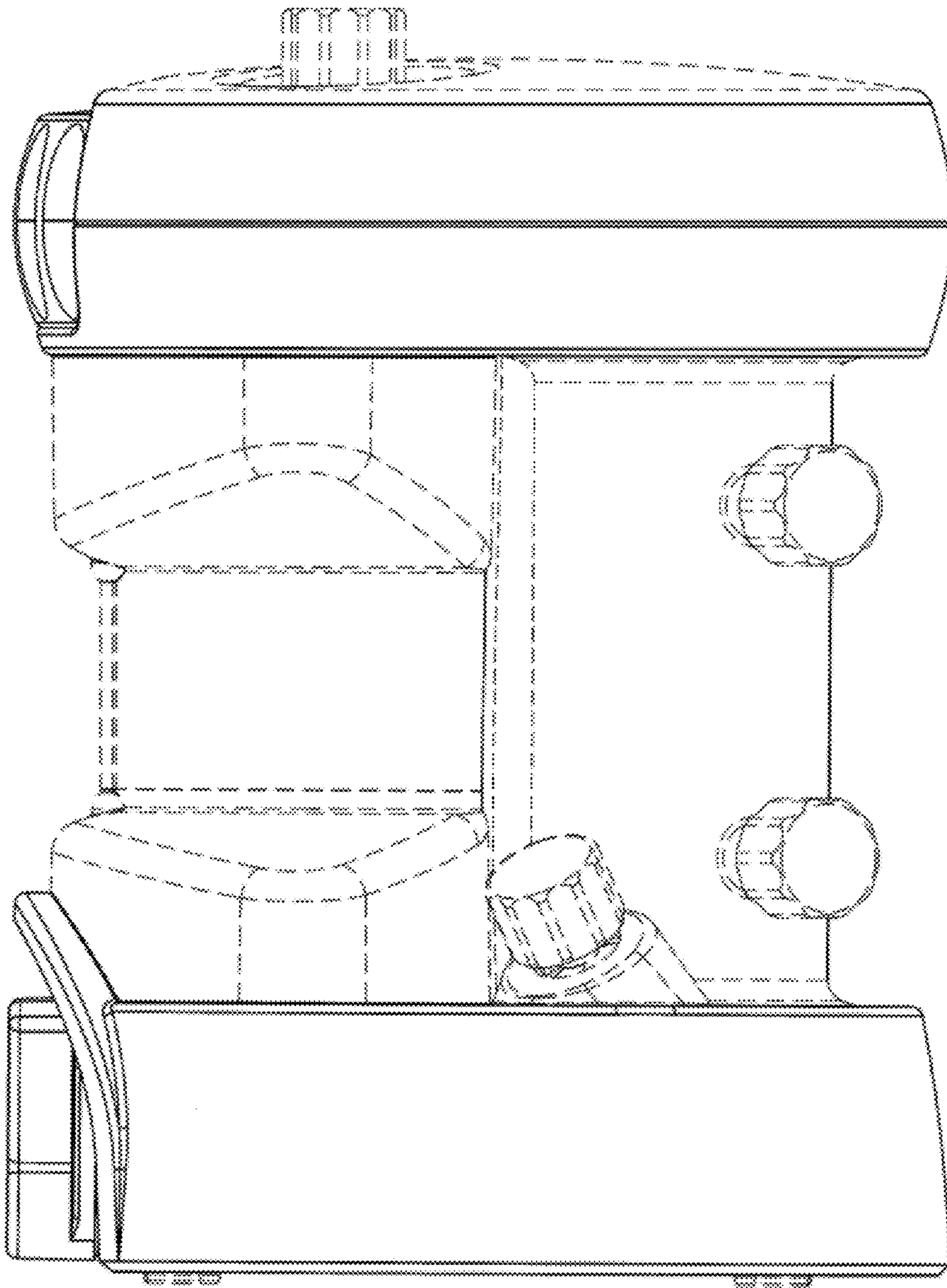


FIG. 5

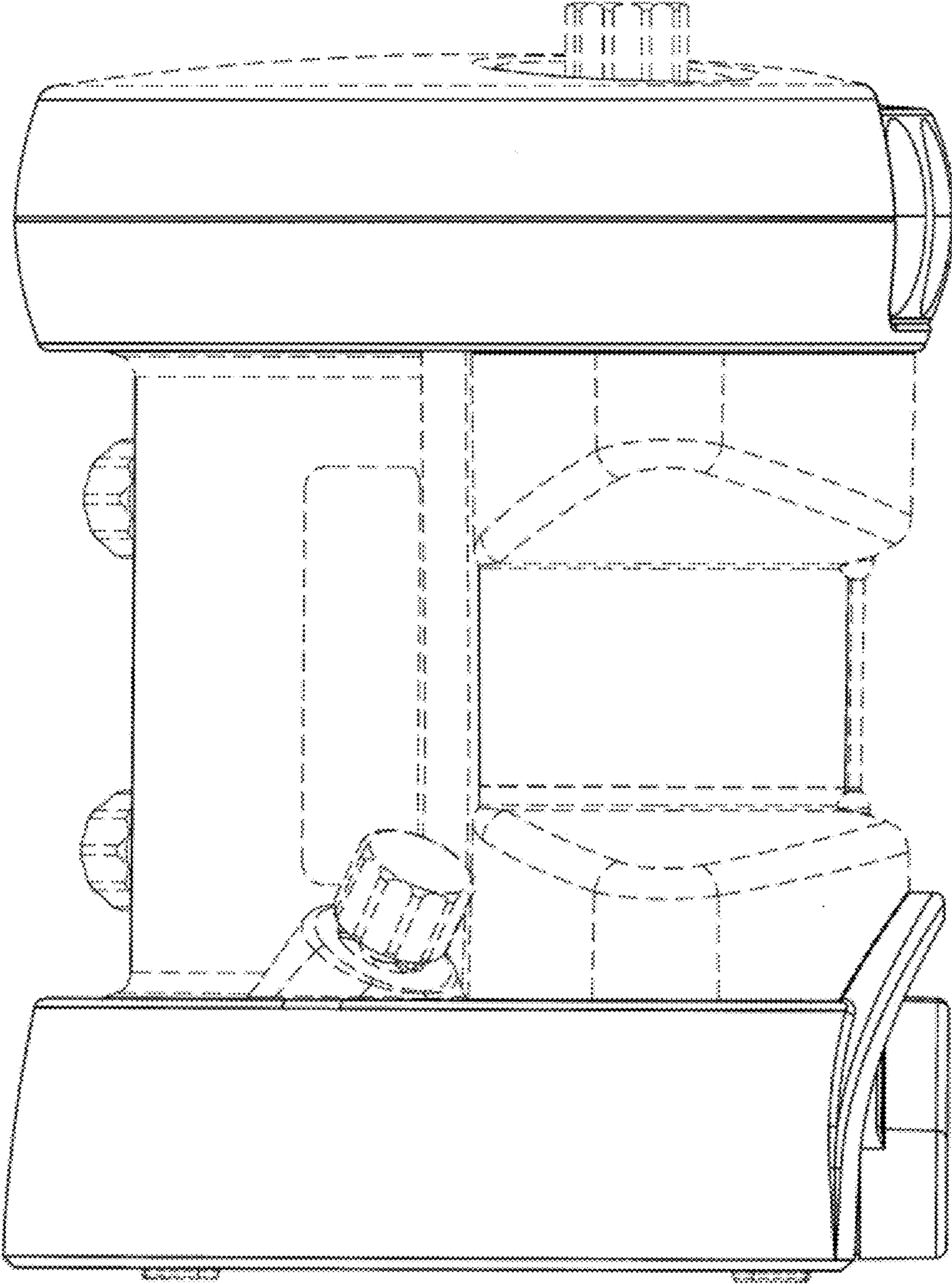


FIG. 6

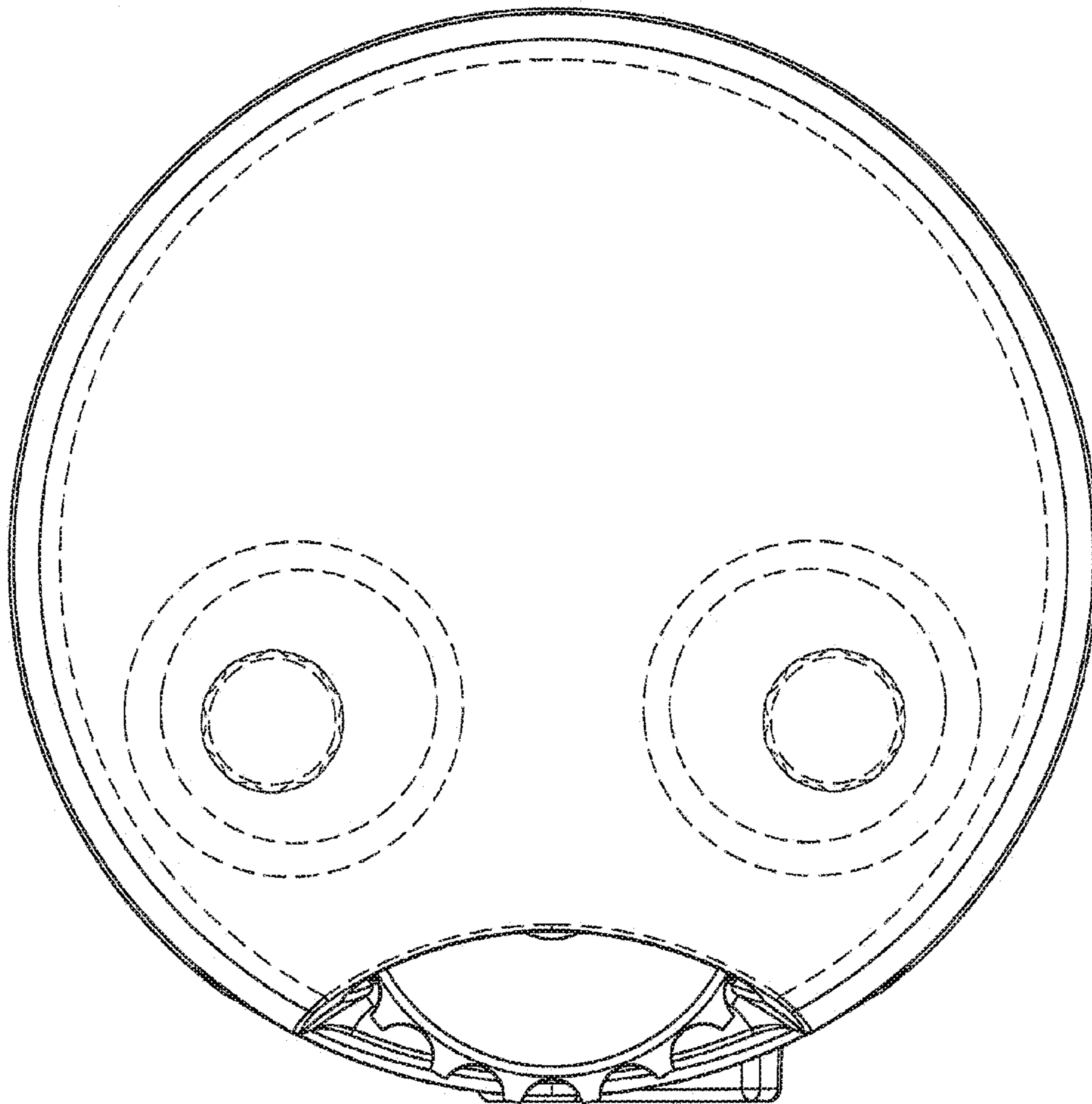


FIG. 7

