

US00D660972S

(12) **United States Design Patent**
Diamond

(10) **Patent No.:** **US D660,972 S**

(45) **Date of Patent:** **** May 29, 2012**

(54) **HANDHELD COGNITIVE AND BEHAVIORAL THERAPY IMPLEMENT**

(76) Inventor: **Paul Diamond**, Fort Lee, NJ (US)

(**) Term: **14 Years**

(21) Appl. No.: **29/376,496**

(22) Filed: **Oct. 7, 2010**

(51) **LOC (9) Cl.** **28-03**

(52) **U.S. Cl.** **D24/200**

(58) **Field of Classification Search** D24/200,
D24/142, 211, 133, 144, 170, 185, 186, 215,
D24/214, 209, 206, 146; 606/2, 32, 89, 9,
606/204, 201; 607/2, 96, 98, 99, 108, 115,
607/145, 148, 149, 150; 601/1, 15-22, 72,
601/73, 123, 95, 107, 134, 135, 168, 137;
D26/29, 37, 39, 41, 104; D6/583, 584, 585,
D6/587; D4/101

See application file for complete search history.

(56) **References Cited**

U.S. PATENT DOCUMENTS

2,944,273	A *	7/1960	Harris	601/137
D245,856	S *	9/1977	Grube	D24/211
D315,038	S *	2/1991	Strickler	D24/211
D336,198	S *	6/1993	Gibbons	D6/583
D344,137	S *	2/1994	Yoo	D24/200

D357,322	S *	4/1995	Matthews	D24/211
D379,518	S *	5/1997	Bergman et al.	D24/211
D414,643	S *	10/1999	Phua	D6/583
D456,998	S *	5/2002	Blaustein et al.	D4/101
6,632,187	B2 *	10/2003	Bak	601/134
D514,328	S *	2/2006	Huang	D24/211
7,101,344	B1 *	9/2006	Wu	601/134
D576,284	S *	9/2008	Kennedy	D24/209
D586,601	S *	2/2009	Robbins, III	D6/583
D604,859	S *	11/2009	Liu	D24/211
D636,089	S *	4/2011	Yoo	D24/200
D639,430	S *	6/2011	Yoo	D24/146

* cited by examiner

Primary Examiner — David Muller

(57) **CLAIM**

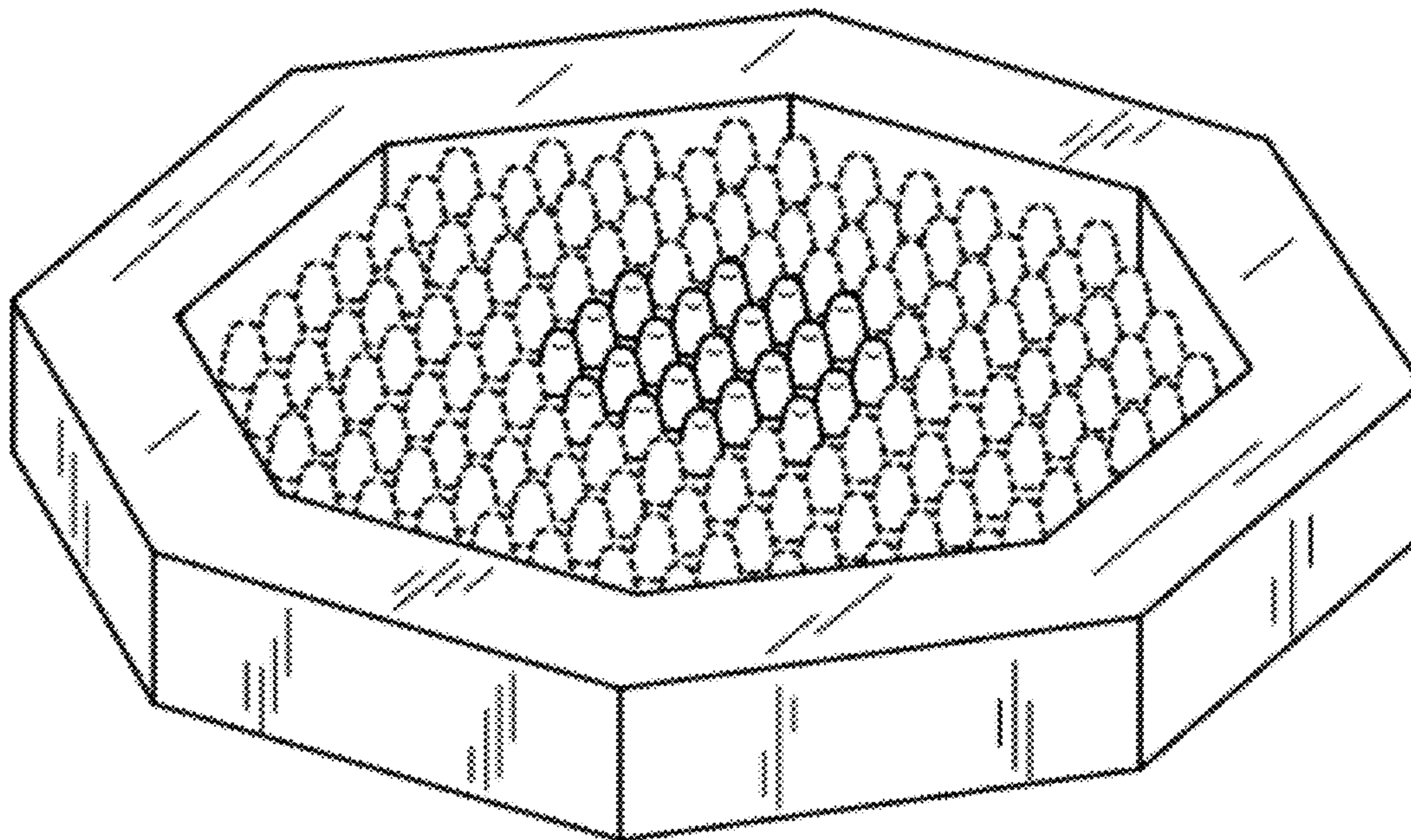
The ornamental design for a handheld cognitive and behavioral therapy implement, as shown and described.

DESCRIPTION

FIG. 1 is a perspective view of my new design for a handheld cognitive and behavioral therapy implement;
FIG. 2 is a front view thereof;
FIG. 3 is a left side view thereof;
FIG. 4 is a right side view thereof;
FIG. 5 is a top view thereof;
FIG. 6 is a bottom view thereof; and,
FIG. 7 is a rear view thereof.

The portions of the article encompassed by broken lines in the accompanying figures form no part of the claimed design.

1 Claim, 2 Drawing Sheets



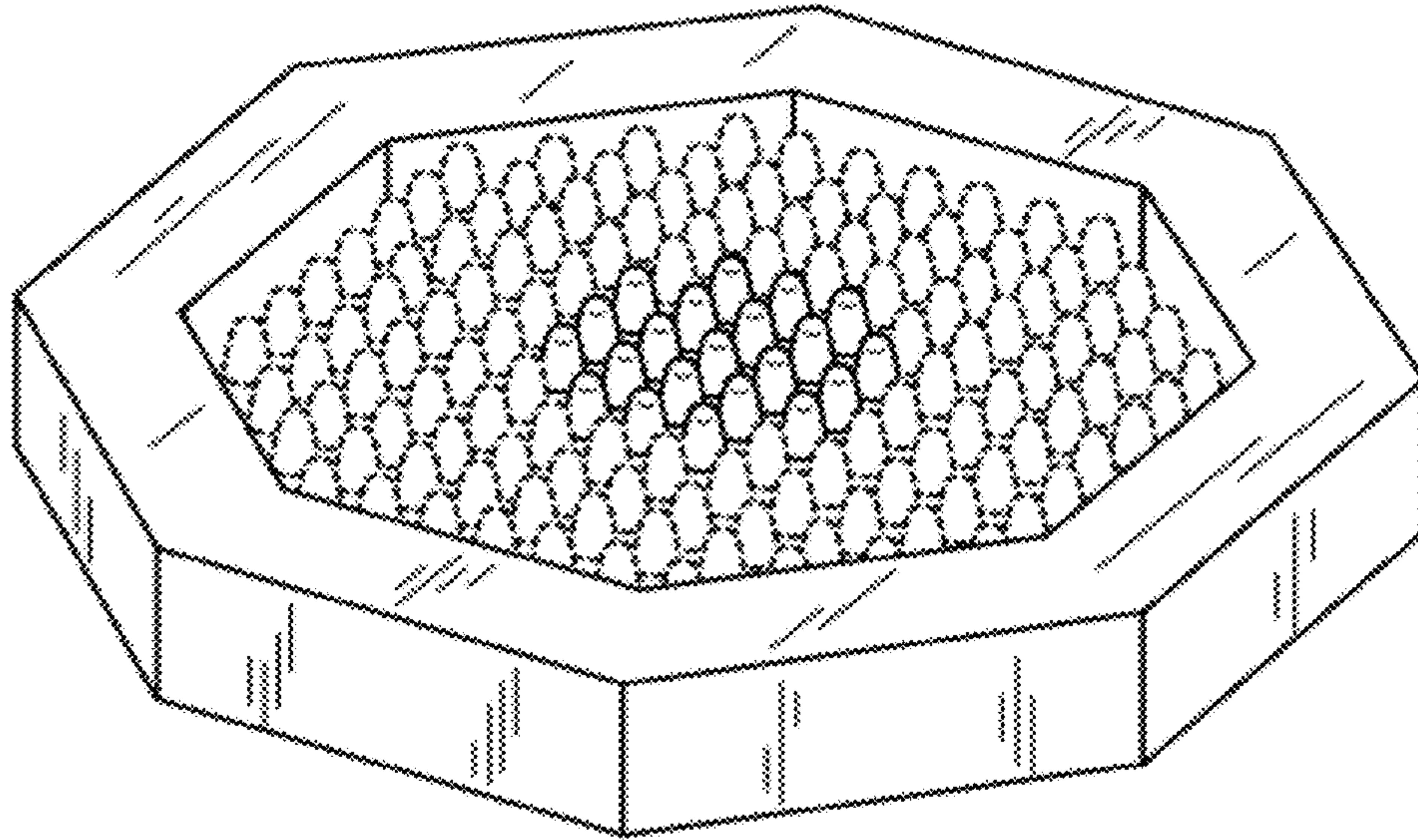


FIG. 1

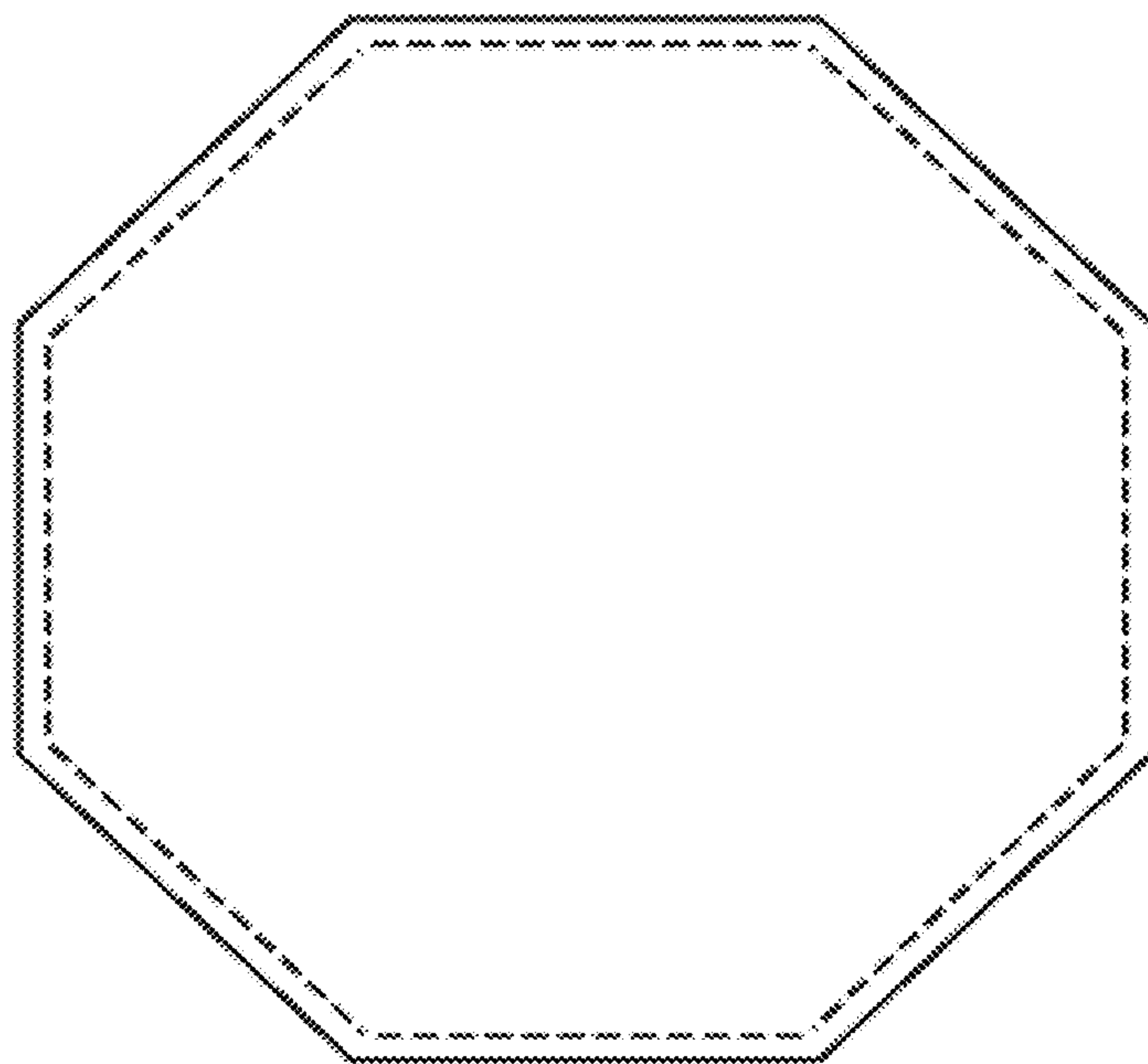


FIG. 7



FIG. 5

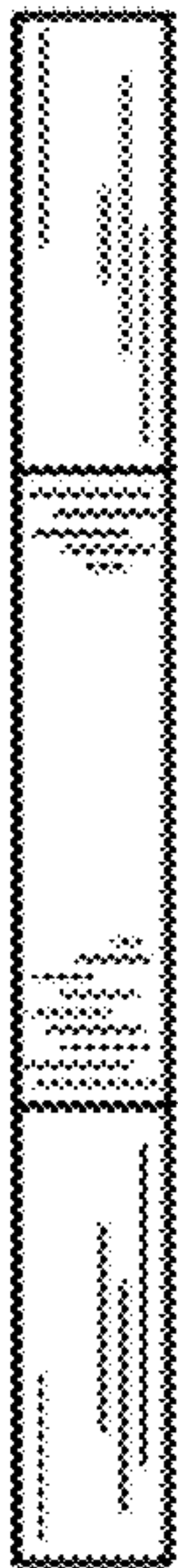


FIG. 3

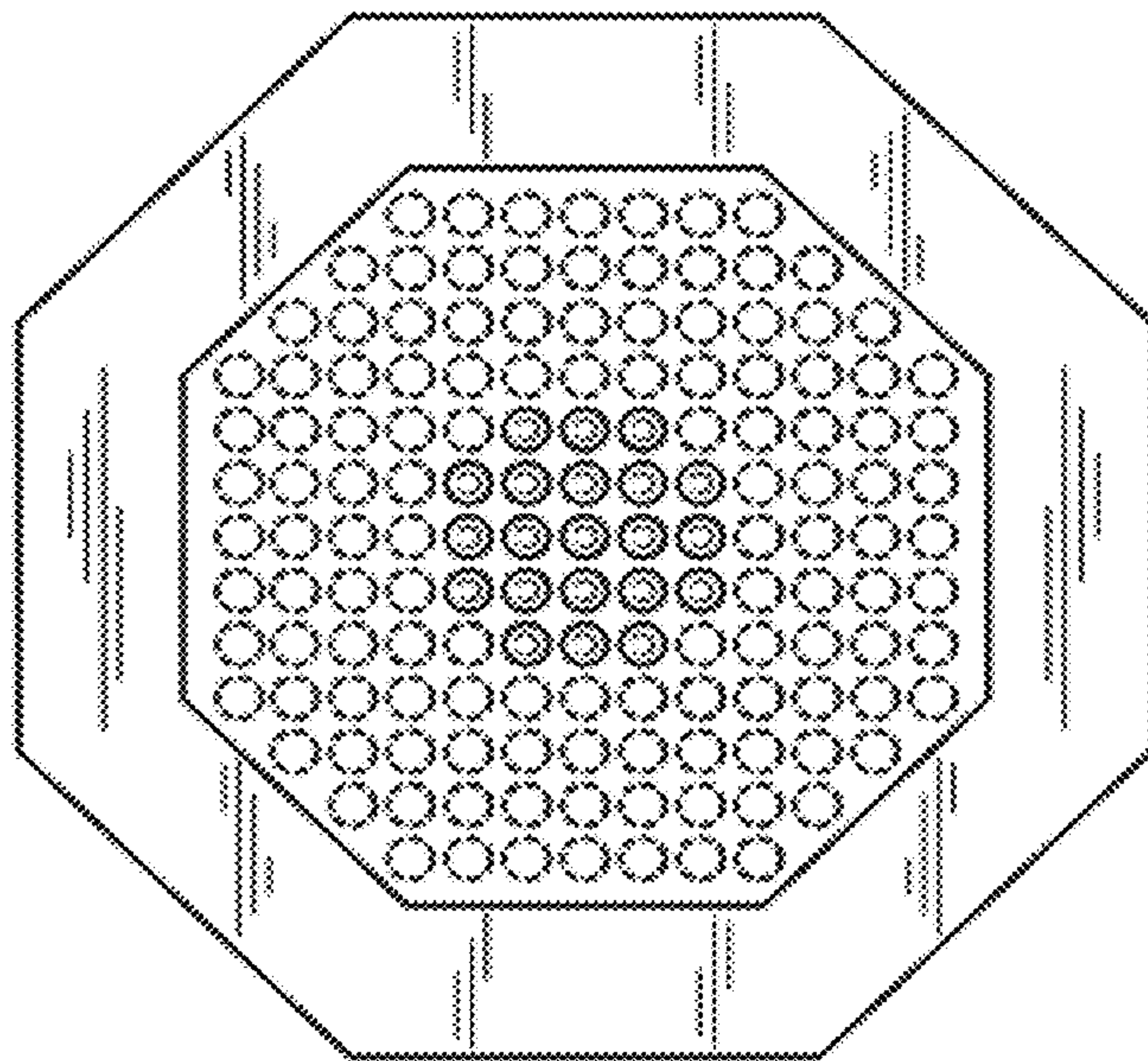


FIG. 2

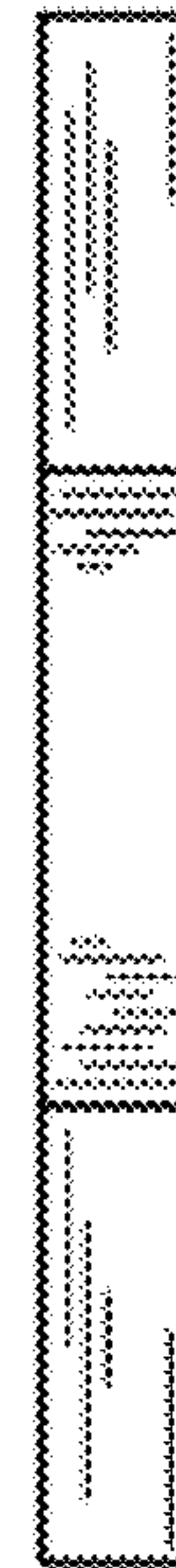


FIG. 4



FIG. 6