

US00D660971S

(12) **United States Design Patent**
Franke et al.

(10) **Patent No.:** **US D660,971 S**
(45) **Date of Patent:** **** May 29, 2012**

(54) **WEIGHT-BEARING LOWER EXTREMITY BRACE**
(75) Inventors: **Hans G. Franke**, Incline Village, NV (US); **David Salinger**, Olympic Valley, CA (US); **Jeff Dodd**, Truckee, CA (US)

6,997,891 B1 * 2/2006 Vecsey 602/23
7,462,160 B2 * 12/2008 Nobbe et al. 602/27
D635,269 S * 3/2011 Franke et al. D24/192
2002/0188238 A1 * 12/2002 Townsend et al. 602/26
2006/0149181 A1 * 7/2006 Guenther 602/23
2010/0030123 A1 * 2/2010 DeToro et al. 602/28
* cited by examiner

(73) Assignee: **Toad Corporation**, Incline Village, NV (US)

Primary Examiner — Susan E Krakower
(74) *Attorney, Agent, or Firm* — Baker & McKenzie LLP

(**) Term: **14 Years**

(21) Appl. No.: **29/388,058**

(57) **CLAIM**
The ornamental design for a weight-bearing lower extremity brace, as shown and described.

(22) Filed: **Mar. 23, 2011**

DESCRIPTION

Related U.S. Application Data

(62) Division of application No. 29/340,273, filed on Jul. 15, 2009, now Pat. No. Des. 635,269.
(51) **LOC (9) Cl.** **24-01**
(52) **U.S. Cl.** **D24/192**
(58) **Field of Classification Search** D24/188–192;
602/5–7, 16, 22, 23, 27–29, 64–65; 128/882;
135/68, 69, 72, 74
See application file for complete search history.

This application is related to U.S. application Ser. No. 12/502, 893, filed Jul. 14, 2009. The contents of each of the foregoing applications in their entirety are incorporated herein by reference.

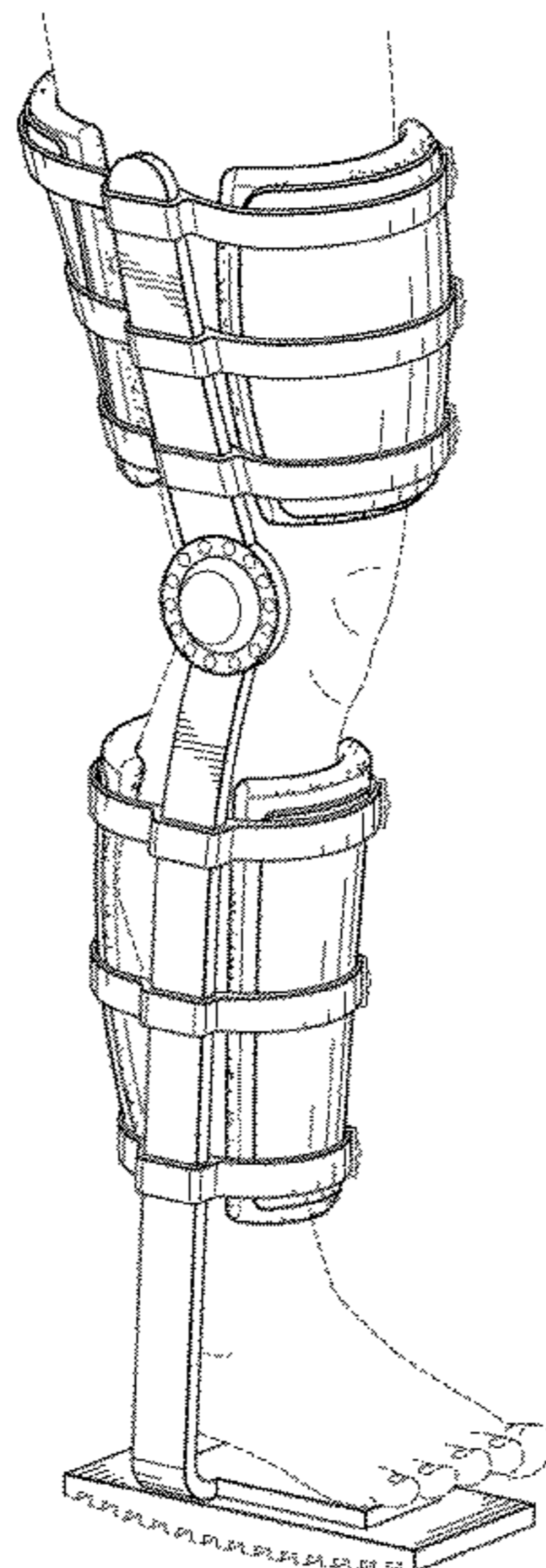
FIG. 1 is a isometric view of a weight bearing lower extremity brace showing our new design in condition of use;
FIG. 2 is a second front isometric view of a weight bearing lower extremity brace in condition of use for the opposite leg;
FIG. 3 is a rear isometric view of weight bearing lower extremity brace;
FIG. 4 is a exterior side elevational view of a weight bearing lower extremity brace;
FIG. 5 is a front elevational view of a weight bearing lower extremity brace;
FIG. 6 is a interior side elevational view of a weight bearing lower extremity brace;
FIG. 7 is a rear elevational view of a weight bearing lower extremity brace; and,
FIG. 8 is a top plan view of a weight bearing lower extremity brace.
The broken lines illustrate portions of the brace and environmental structure which form no part of the claimed design.

(56) **References Cited**

U.S. PATENT DOCUMENTS

2,827,897 A * 3/1958 Pawlowski 602/16
3,272,210 A * 9/1966 Boruvka 135/69
4,641,882 A * 2/1987 Young 297/183.1
D344,589 S * 2/1994 Kilbey D24/192
5,300,016 A * 4/1994 Marlatt 602/16
D373,194 S * 8/1996 Grifka D24/192
5,545,127 A * 8/1996 DeToro 602/27
5,593,383 A * 1/1997 DeToro 602/27
5,817,041 A * 10/1998 Bader 602/23
5,944,679 A * 8/1999 DeToro 602/27
6,428,495 B1 * 8/2002 Lynott 602/23
6,464,659 B1 * 10/2002 DeToro et al. 602/27
6,793,638 B1 * 9/2004 DeToro et al. 602/23

1 Claim, 7 Drawing Sheets



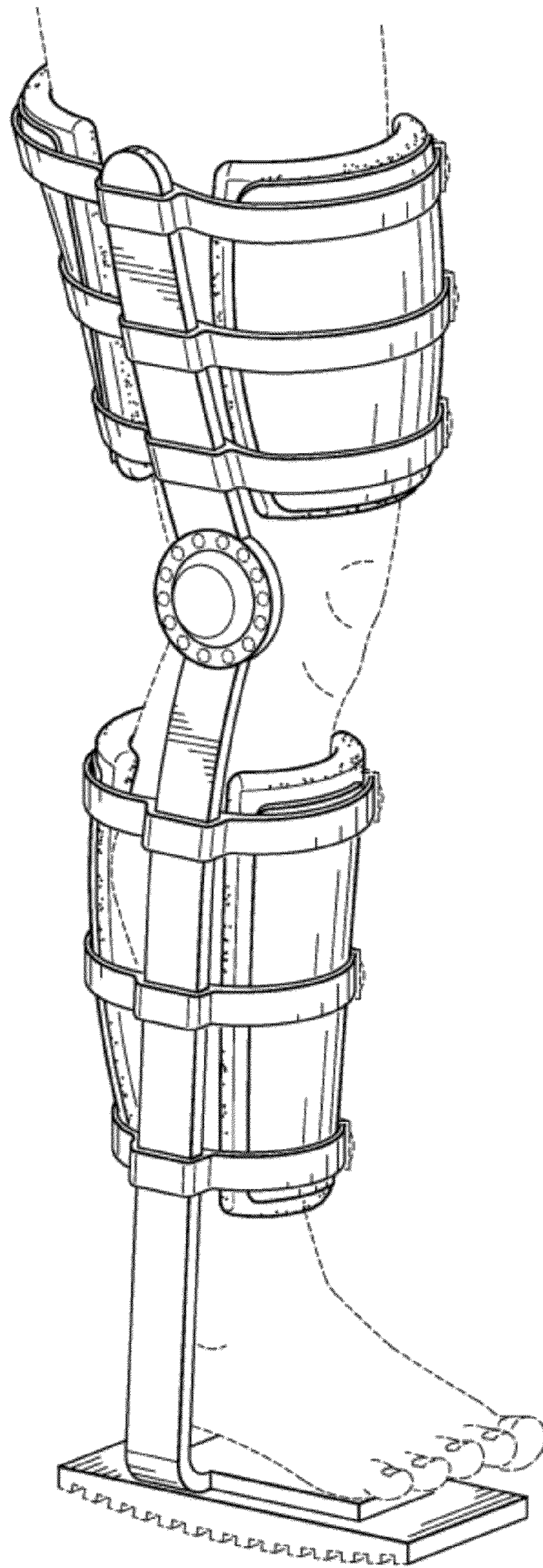
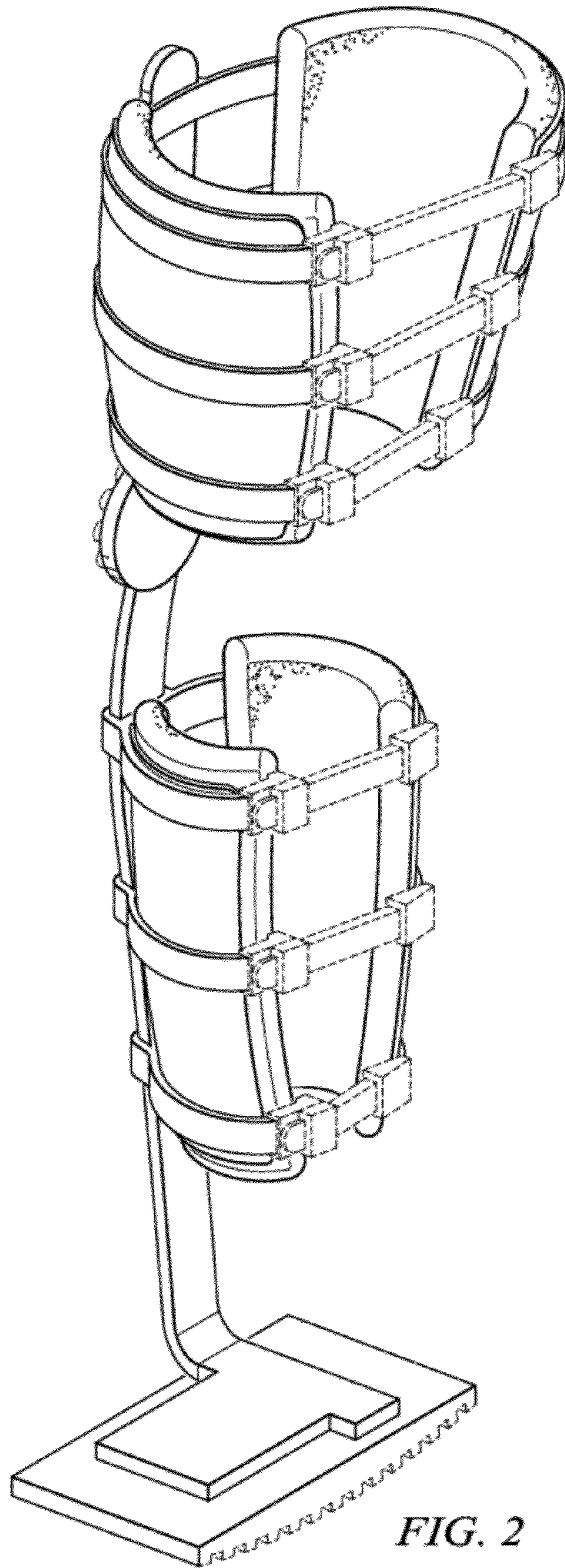


FIG. 1



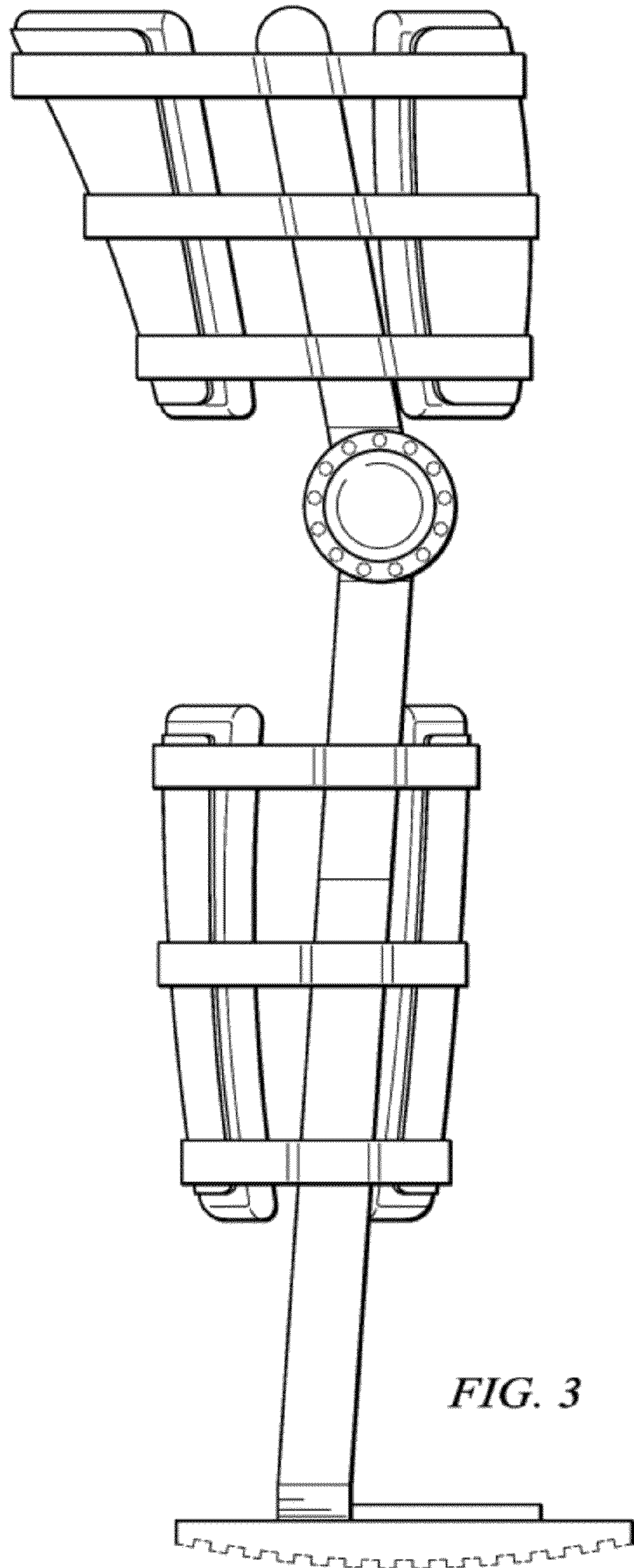


FIG. 3

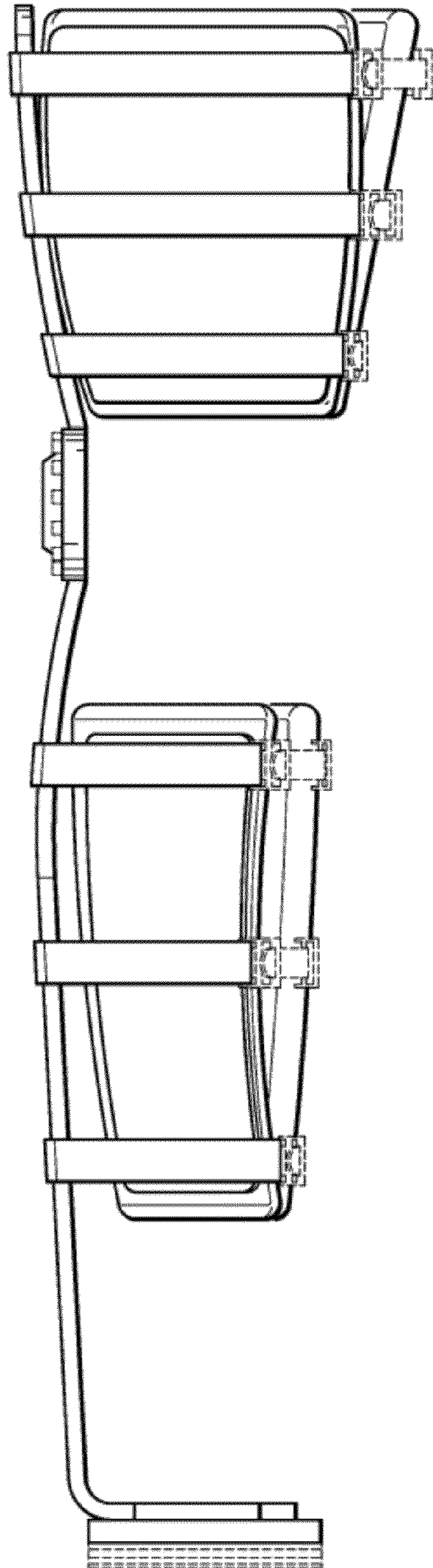


FIG. 4

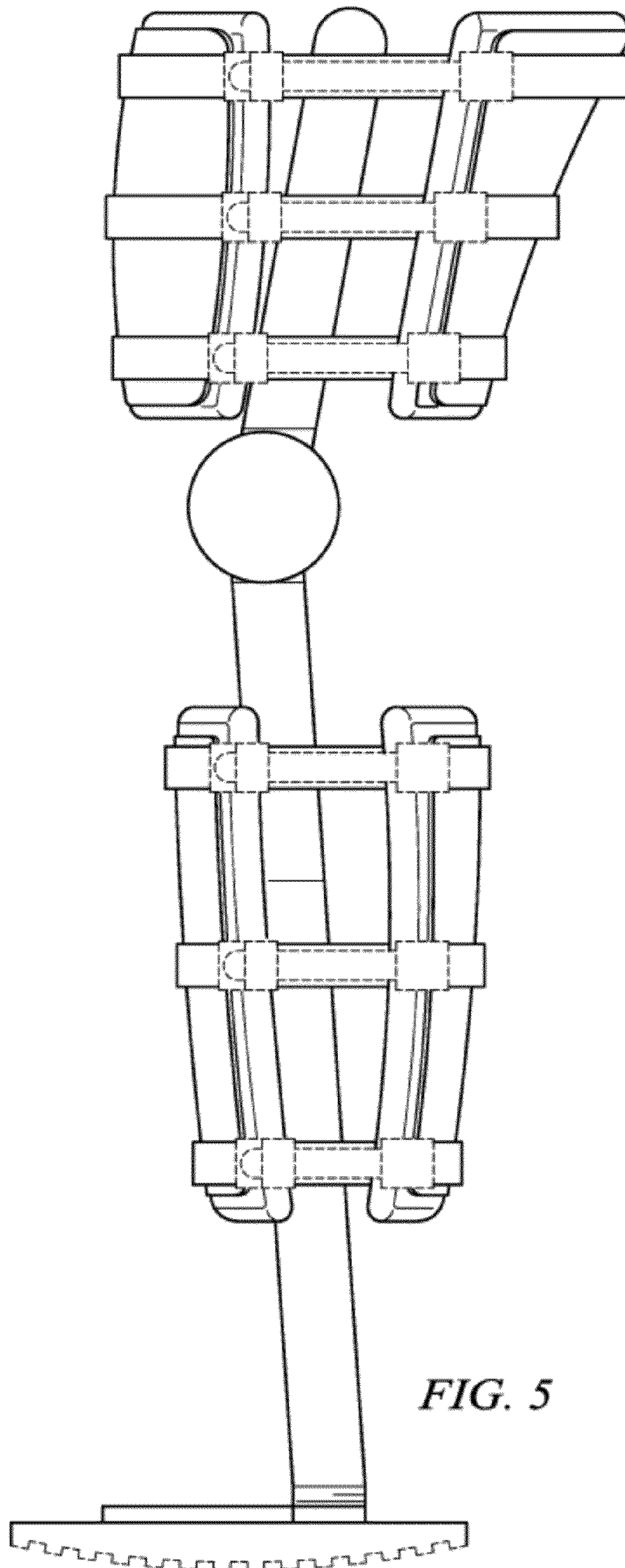


FIG. 5

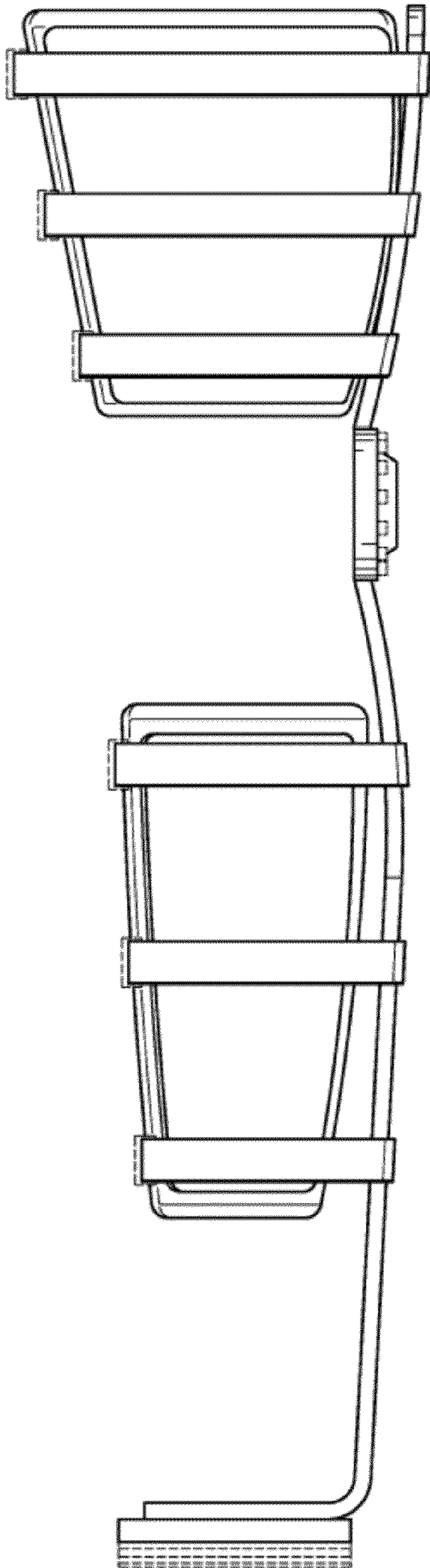


FIG. 6

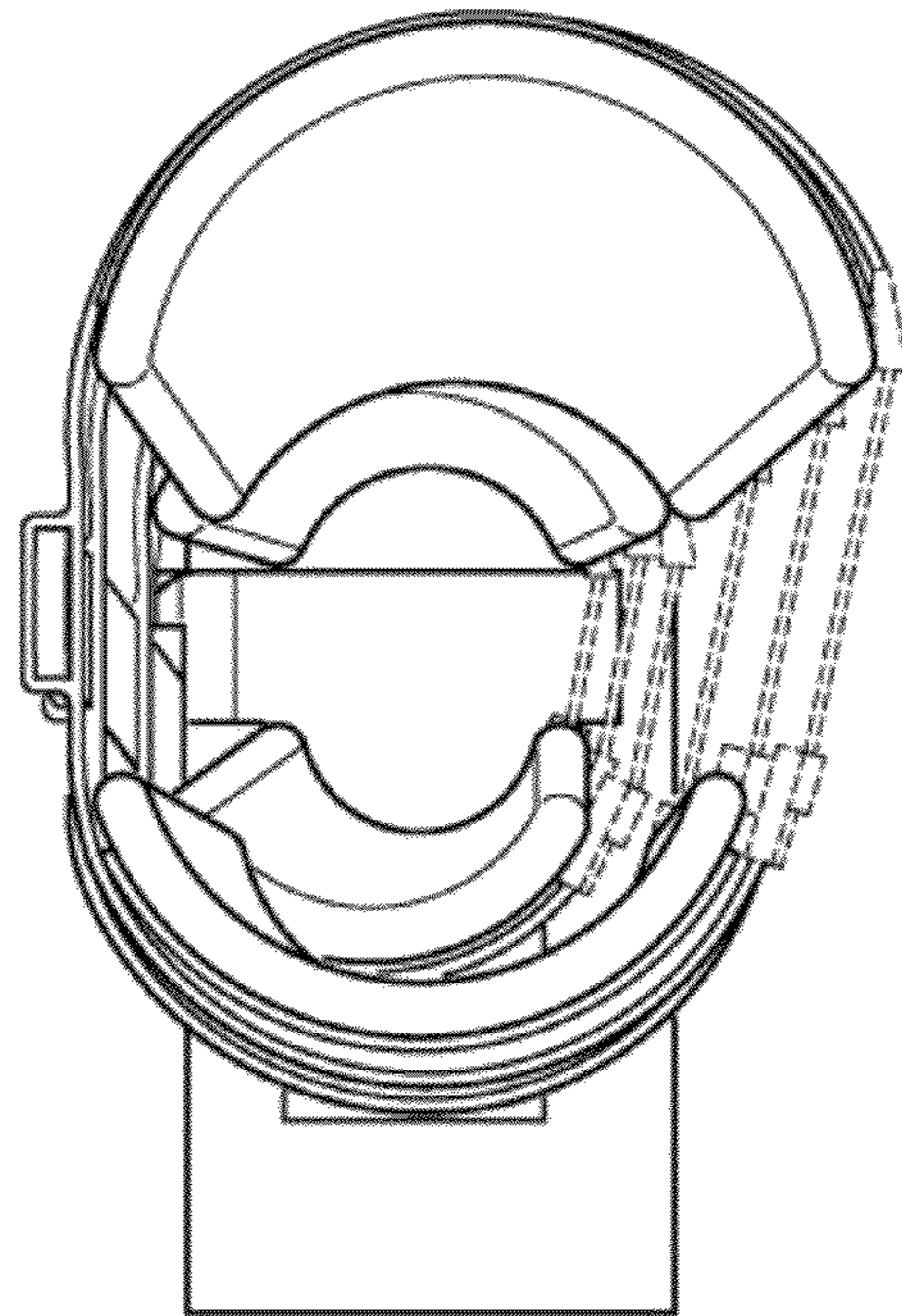


FIG. 7

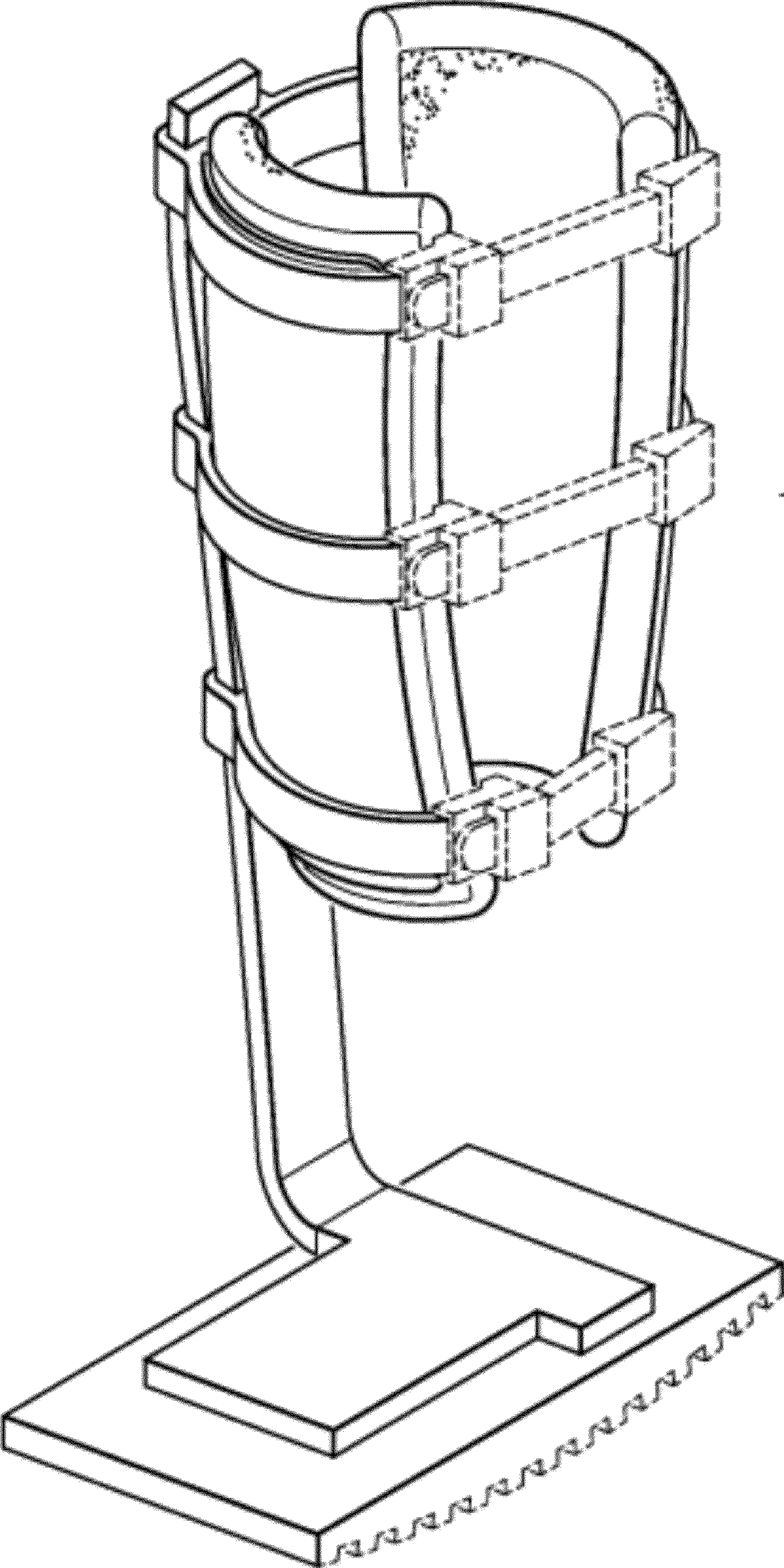


FIG. 8