



US00D660970S

(12) **United States Design Patent**
Kawamura et al.

(10) **Patent No.:** **US D660,970 S**

(45) **Date of Patent:** **** May 29, 2012**

- (54) **DEFIBRILLATOR PADDLE**
- (75) Inventors: **Shuko Kawamura**, Tokyo (JP);
Masashi Sato, Tokyo (JP)
- (73) Assignee: **Nihon Kohden Corporation**, Tokyo (JP)
- (**) Term: **14 Years**
- (21) Appl. No.: **29/406,028**
- (22) Filed: **Nov. 9, 2011**

Related U.S. Application Data

- (62) Division of application No. 29/391,845, filed on May 13, 2011.

(30) **Foreign Application Priority Data**

- Nov. 15, 2010 (JP) D2010-027460
- Nov. 15, 2010 (JP) D2010-027461

- (51) **LOC (9) Cl.** **24-01**
- (52) **U.S. Cl.** **D24/187; D24/168**
- (58) **Field of Classification Search** D24/133,
D24/144, 155, 167-168, 186, 187, 200, 231;
607/5, 142, 129; 606/70-71, 166, 246-249,
606/258, 267, 280, 286, 283, 299, 396, 903,
606/905-906; 623/17.11, 16.71
See application file for complete search history.

(56) **References Cited**

U.S. PATENT DOCUMENTS

- D244,153 S * 4/1977 Jones D24/168
- D244,154 S * 4/1977 Smith et al. D24/168
- D249,064 S * 8/1978 Smith et al. D24/168
- D252,821 S * 9/1979 Moore et al. D24/168
- D273,514 S * 4/1984 Heilman et al. D24/168
- D290,396 S * 6/1987 Jones et al. D24/168
- 4,705,044 A * 11/1987 Deluhery et al. 607/142
- D322,853 S * 12/1991 Benson et al. D24/168

- D372,785 S * 8/1996 Sabri et al. D24/167
- D385,351 S * 10/1997 Manzie et al. D24/144
- 6,097,987 A 8/2000 Milani
- D460,556 S 7/2002 Daynes et al.
- 6,714,817 B2 * 3/2004 Daynes et al. 607/5
- D490,526 S * 5/2004 Jonsen D24/167
- D536,450 S * 2/2007 Ryan D24/144
- D604,855 S * 11/2009 Shearlaw et al. D24/133
- D636,087 S * 4/2011 Loew et al. D24/200
- D636,088 S * 4/2011 Loew et al. D24/200
- D638,130 S * 5/2011 Erickson et al. D24/187

FOREIGN PATENT DOCUMENTS

- CN 200730171953.5 8/2008
- JP 864898 S 3/1993
- JP 864898-1 S 9/1993

* cited by examiner

Primary Examiner — T. Chase Nelson
Assistant Examiner — Mark Cavanna

(74) *Attorney, Agent, or Firm* — Osha Liang LLP

(57) **CLAIM**

The ornamental design for a defibrillator paddle, as shown and described.

DESCRIPTION

FIG. 1 is a perspective view of the front, top, and right side of a defibrillator paddle showing our new design;

FIG. 2 is a front view thereof;

FIG. 3 is a rear view thereof;

FIG. 4 is a top plan view thereof;

FIG. 5 is a bottom view thereof;

FIG. 6 is a left view thereof; and,

FIG. 7 is a right view thereof.

The broken lines immediately adjacent the shaded areas represent the bounds of the claimed design while all other broken lines are directed to environment and are for illustrative purposes only.

1 Claim, 4 Drawing Sheets

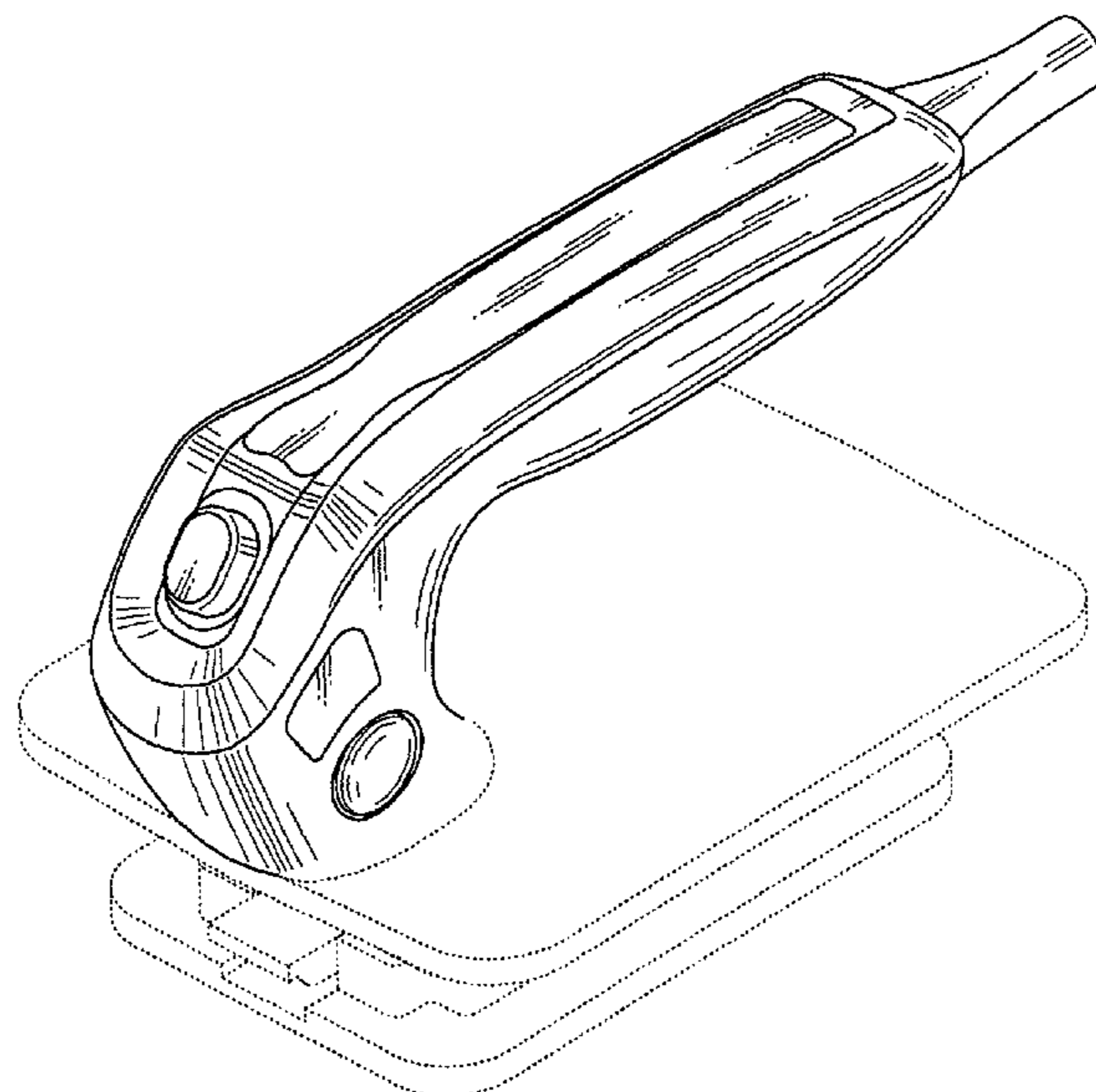


Fig. 1

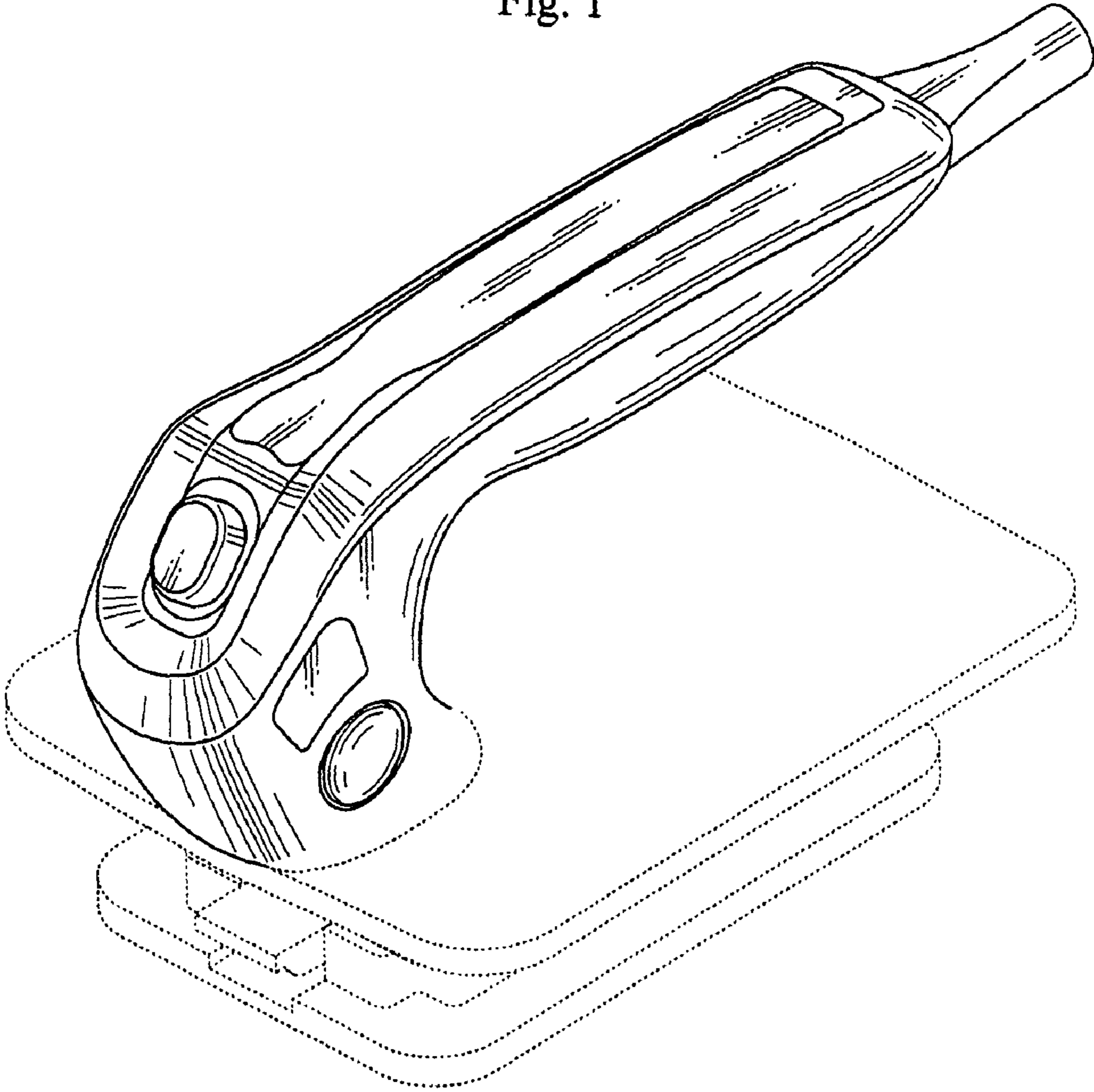


Fig. 2

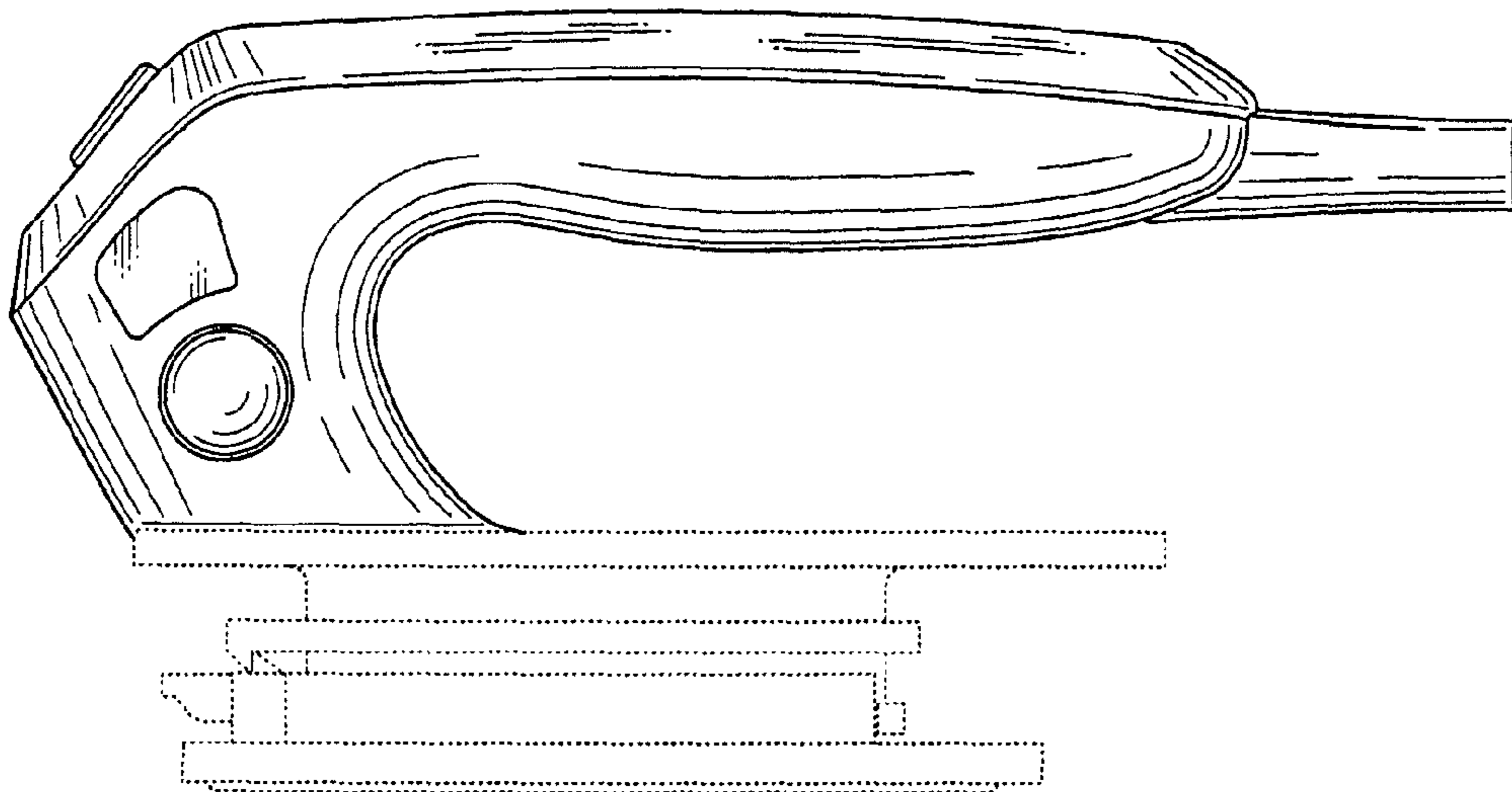


Fig. 3

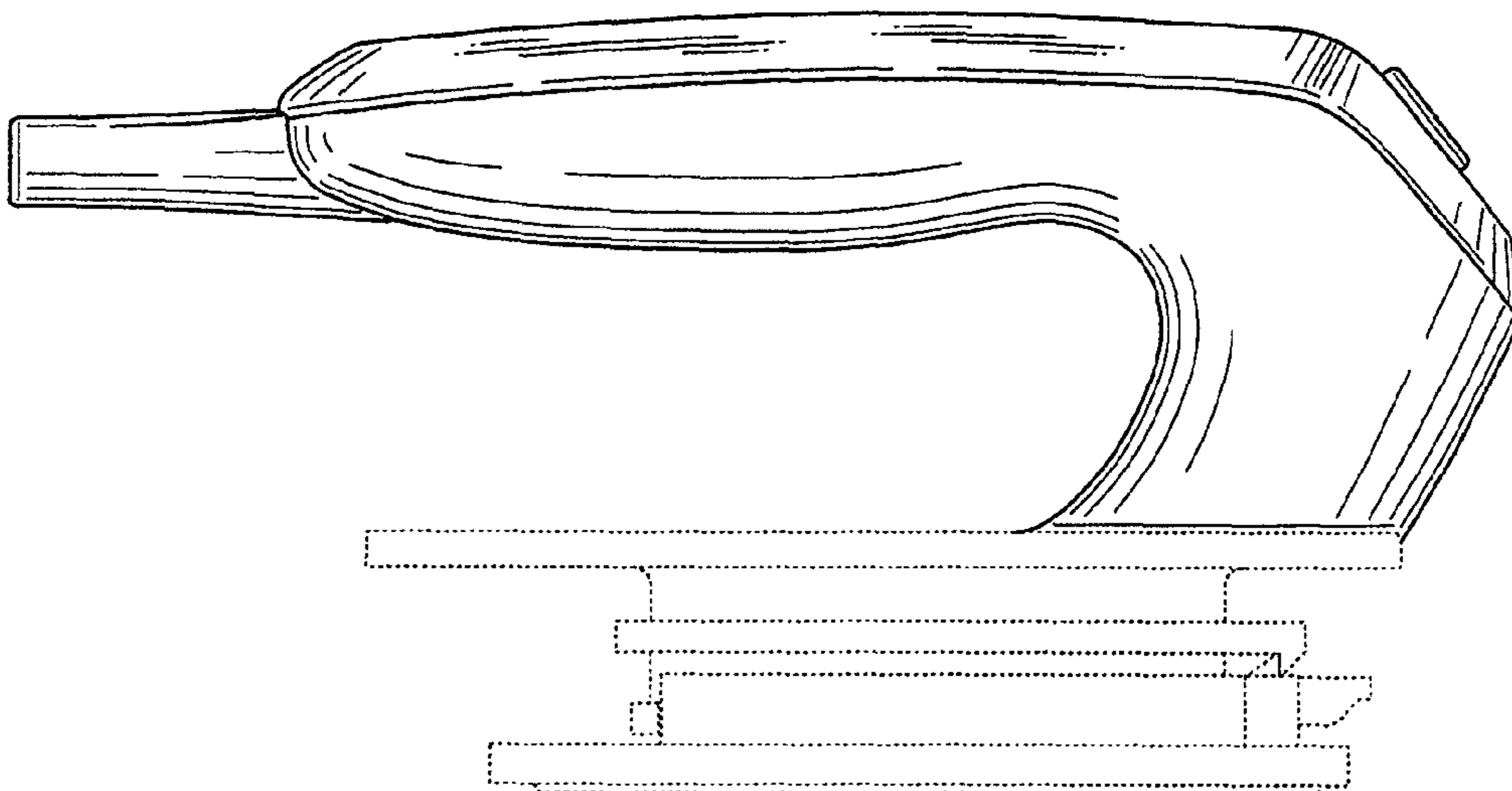


Fig. 4

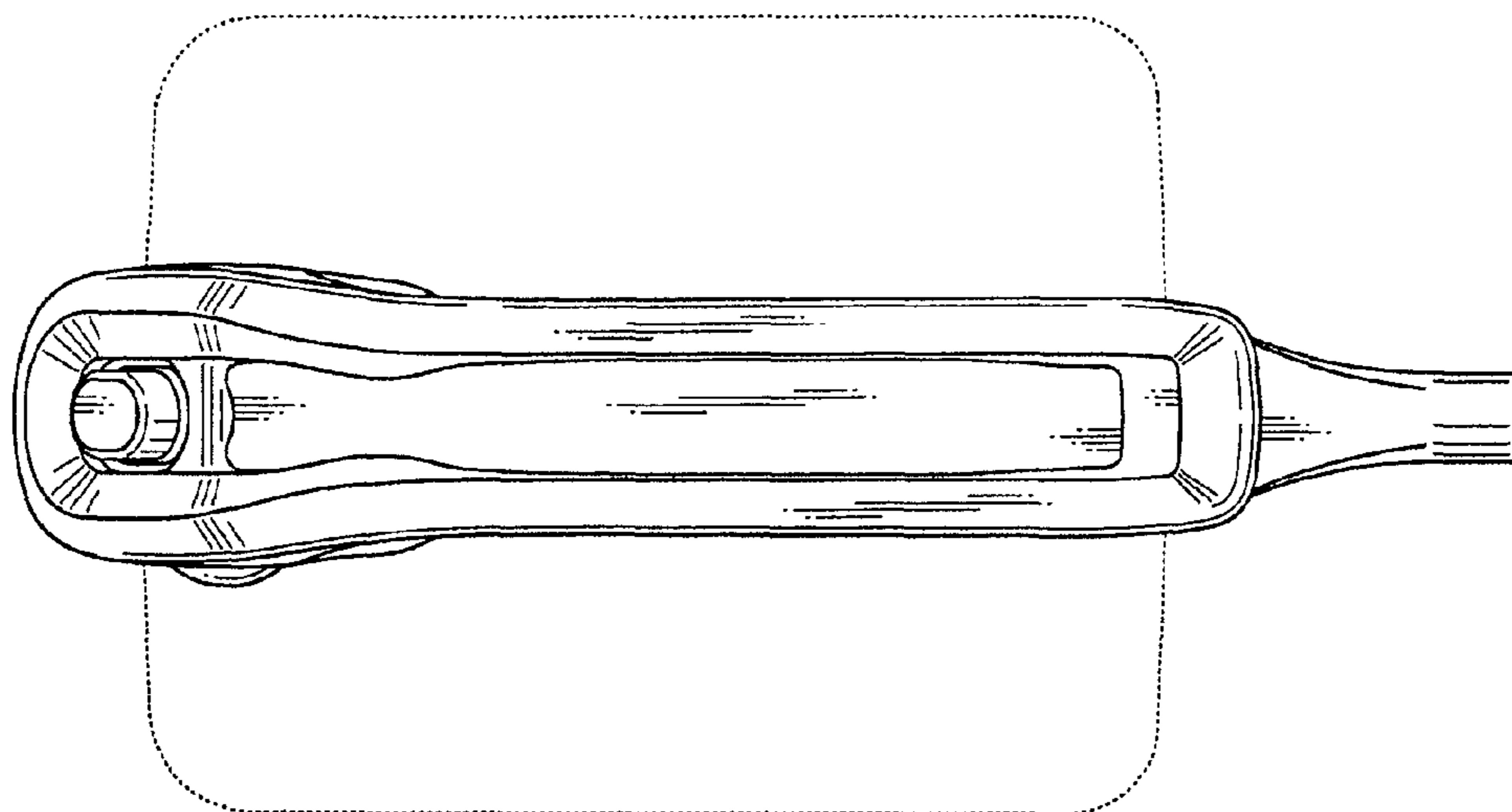


Fig. 5

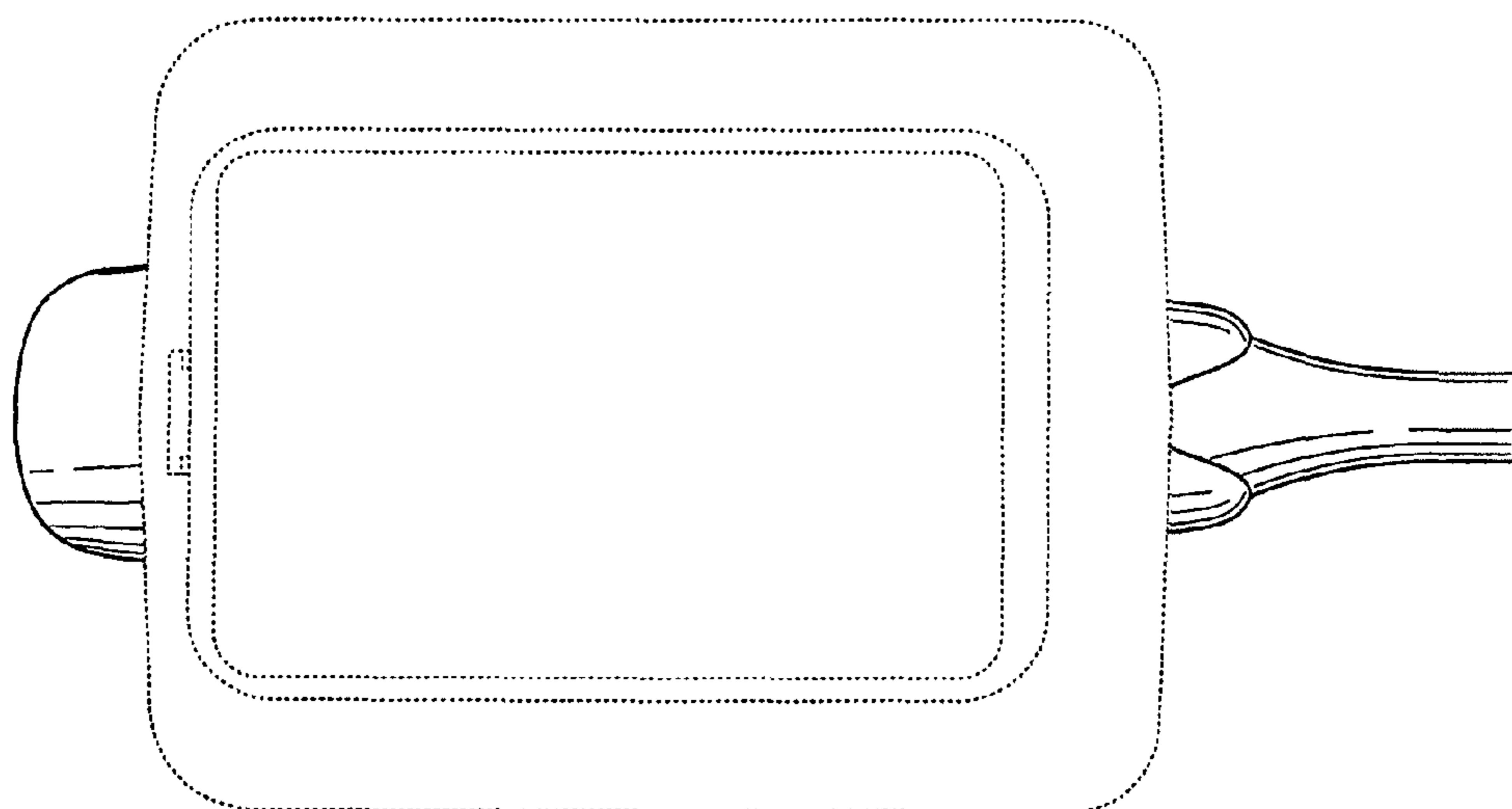


Fig. 6

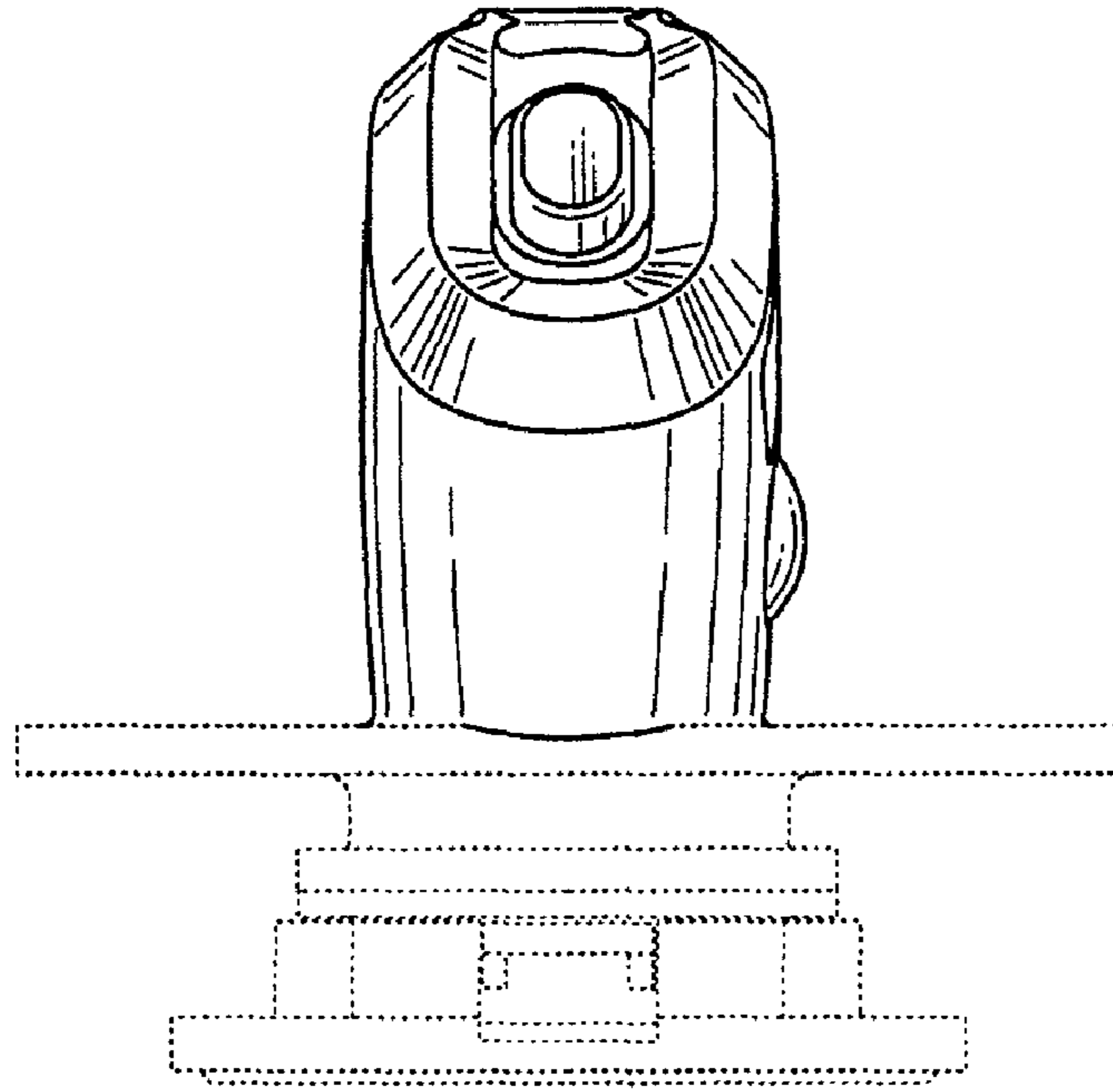


Fig. 7

