



US00D660969S

(12) **United States Design Patent**
Baughman

(10) **Patent No.:** **US D660,969 S**

(45) **Date of Patent:** **** May 29, 2012**

(54) **MOUTHPIECE WITH ADAPTER CLIPS**

(75) Inventor: **Jerald L. Baughman**, Longwood, FL
(US)

(73) Assignee: **Twilight Teeth, Inc.**, Longwood, FL
(US)

(**) Term: **14 Years**

(21) Appl. No.: **29/396,924**

(22) Filed: **Jul. 8, 2011**

(51) **LOC (9) Cl.** **24-01**

(52) **U.S. Cl.** **D24/181**

(58) **Field of Classification Search** D24/176,
D24/135, 152, 180, 164; 433/93, 136, 140,
433/141, 29, 216; 128/857, 859-861; 600/201,
600/208, 235, 237, 238, 242; D29/108, 122
See application file for complete search history.

(56) **References Cited**

U.S. PATENT DOCUMENTS

557,664	A	4/1869	Gilbert	
770,853	A	9/1904	Hare	
2,643,652	A	6/1953	Catheart	
3,060,935	A	10/1962	Ridden	
4,200,089	A	4/1980	Inoue	
4,266,535	A	5/1981	Moret	
4,376,628	A	3/1983	Aardse	
4,592,344	A	6/1986	Scheer	
4,640,273	A	2/1987	Greene	
4,661,070	A	4/1987	Friedman	
4,867,682	A	9/1989	Hammesfahr	
4,944,313	A	7/1990	Katz	
4,952,143	A	8/1990	Becker	
4,975,057	A	* 12/1990	Dyfvermark	433/93

D325,780	S	*	4/1992	Policappelli	D24/164
5,165,424	A		11/1992	Silverman		
D348,932	S		7/1994	Jackson		
5,421,327	A		6/1995	Flynn		
5,487,660	A		1/1996	Good		
5,560,354	A		10/1996	Berthon-Jones		
5,645,428	A		7/1997	Yarborough		
5,941,247	A		8/1999	Keane		

(Continued)

OTHER PUBLICATIONS

Whiter Teeth Brighter Smiles, Access, Special Supplemental Issue, Sep.-Oct. 1999, www.adha.org/downloads/sup_whitening.pdf.

(Continued)

Primary Examiner — Wan Laymon

(74) *Attorney, Agent, or Firm* — Brian S. Steinberger; Law Offices of Brian S. Steinberger, P.A.

(57) **CLAIM**

The ornamental design for a mouthpiece with adapter clips, as shown and described.

DESCRIPTION

FIG. 1 is a perspective top side view of the mouthpiece with adapter clips.

FIG. 2 is a perspective bottom side view of the mouthpiece of FIG. 1.

FIG. 3 is a perspective rear view of the mouthpiece of FIG. 1.

FIG. 4 is a rear view of the mouthpiece of FIG. 1.

FIG. 5 is a front view of the mouthpiece of FIG. 1.

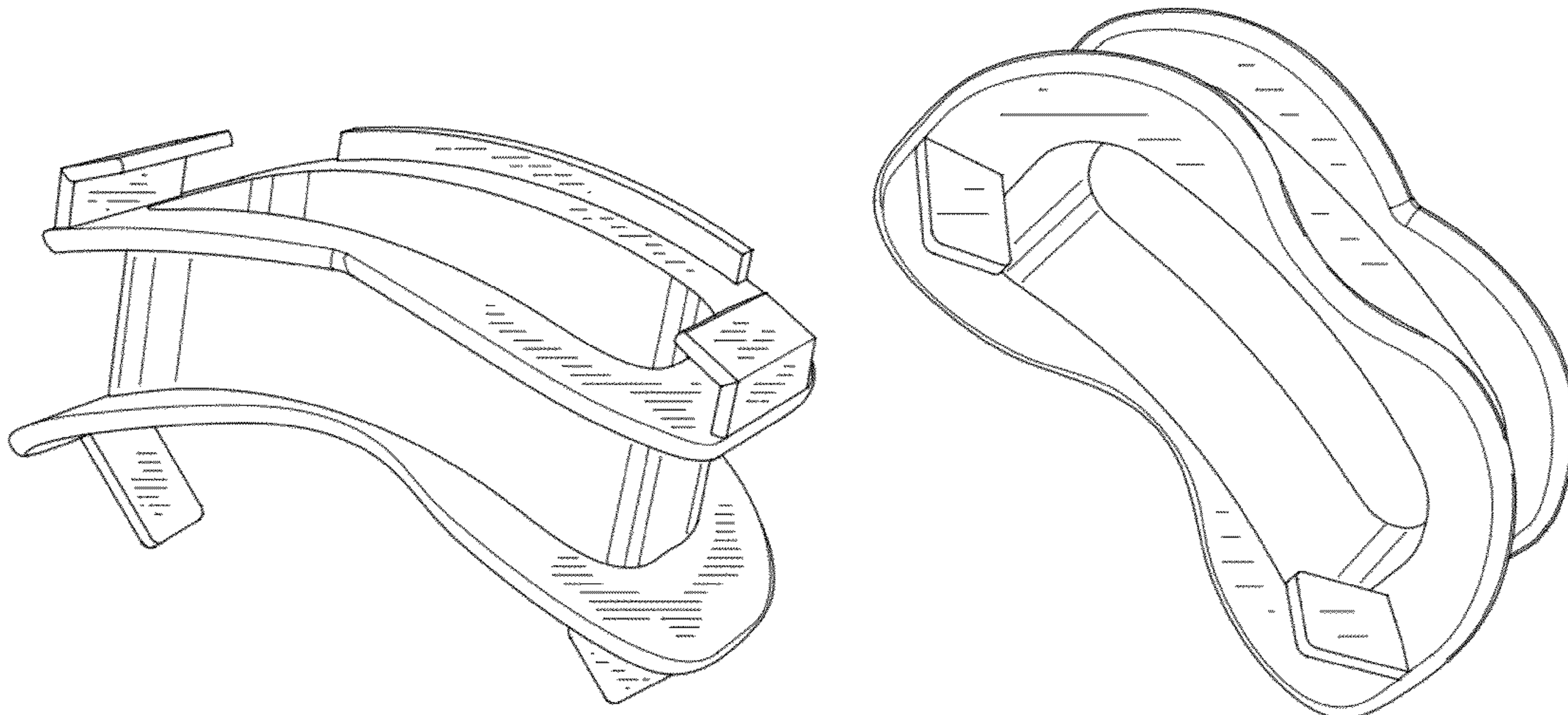
FIG. 6 is a top side view of the mouthpiece of FIG. 1.

FIG. 7 is bottom side view of the mouthpiece of FIG. 1.

FIG. 8 is a left side view of the mouthpiece of FIG. 1; and,

FIG. 9 is a right side view of the mouthpiece of FIG. 1.

1 Claim, 9 Drawing Sheets



US D660,969 S

Page 2

U.S. PATENT DOCUMENTS

5,957,689 A 9/1999 Wagner
6,022,214 A * 2/2000 Hirsch et al. 433/29
6,203,471 B1 * 3/2001 Akihiro 128/859
6,361,320 B2 3/2002 Yarborough
6,382,979 B2 5/2002 Lindquist
6,391,283 B1 5/2002 Jensen
6,416,319 B1 7/2002 Cipolla
6,497,575 B2 12/2002 Zavitsanos
6,500,002 B2 12/2002 Horiguchi
6,514,176 B1 2/2003 Norton
6,616,447 B1 9/2003 Rizoio
D508,563 S 8/2005 Baughman
D508,996 S 8/2005 Baughman
6,966,319 B2 * 11/2005 Fitton 128/859
7,160,111 B2 1/2007 Baughman
D536,441 S * 2/2007 Garren et al. D24/110
D634,841 S * 3/2011 Tao D24/135
2003/0036037 A1 2/2003 Zavitsanos
2004/0076926 A1 4/2004 Baughman
2006/0003284 A1 1/2006 Sale

2006/0019214 A1 1/2006 Lawrence
2006/0127837 A1 6/2006 Nguyen
2006/0141422 A1 6/2006 Philp
2006/0172252 A1 8/2006 Suzuki
2007/0003905 A1 1/2007 Nguyen
2007/0037114 A1 2/2007 Wang
2007/0111167 A1 5/2007 Russell
2008/0032252 A1 2/2008 Hayman
2008/0044796 A1 2/2008 Hsu
2008/0057464 A1 3/2008 Rose
2008/0063999 A1 3/2008 Osborn
2009/0029311 A1 1/2009 Chan
2009/0035718 A1 * 2/2009 Coffee 433/93
2009/0148815 A1 6/2009 Philp
2010/0119989 A1 5/2010 Raybuck

OTHER PUBLICATIONS

Code of Federal Regulation, Performance Standards for Light Emitting Products, 2003, Title 21, vol. 8, No. 1040.20.

* cited by examiner

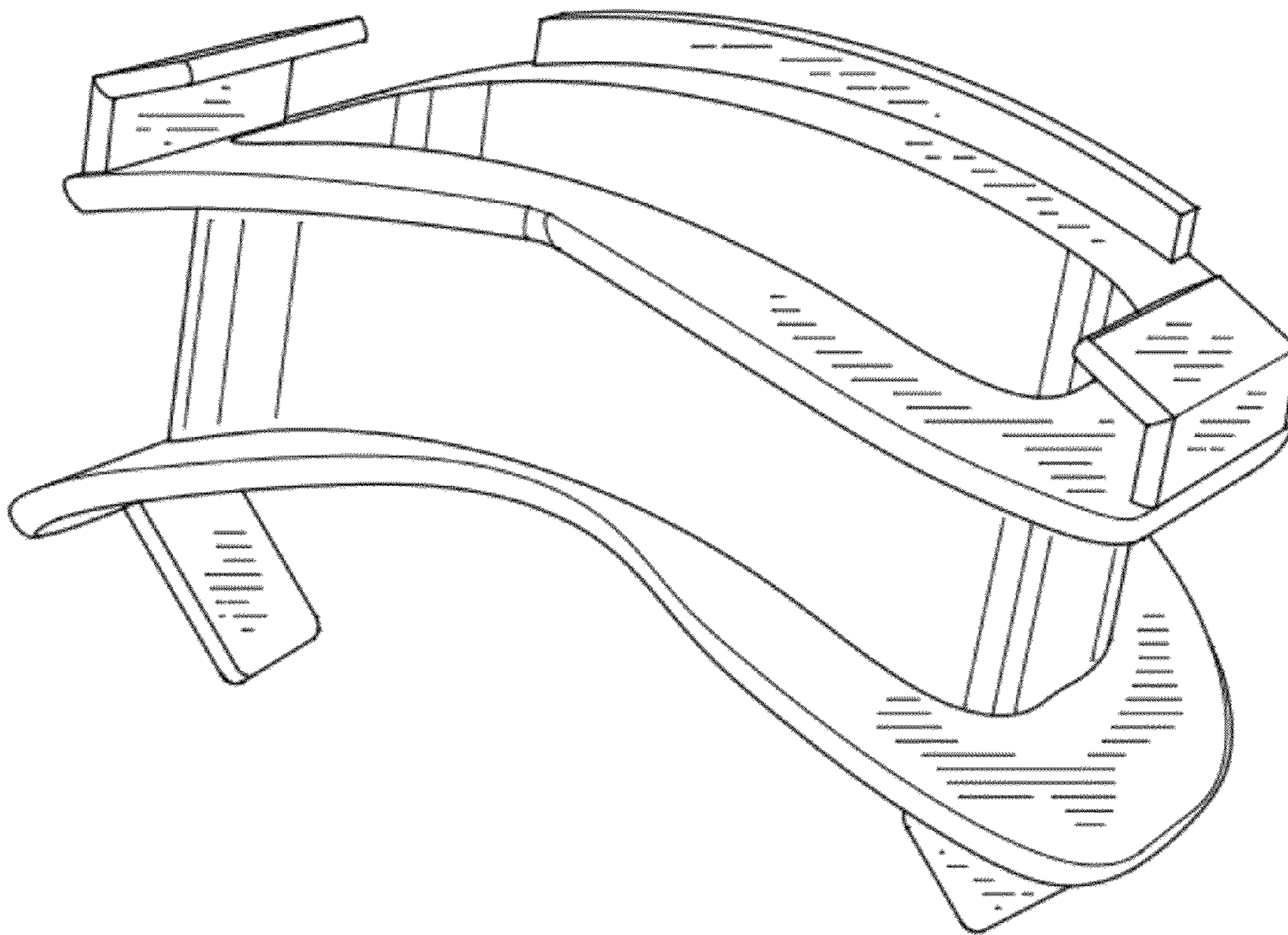


FIG. 1

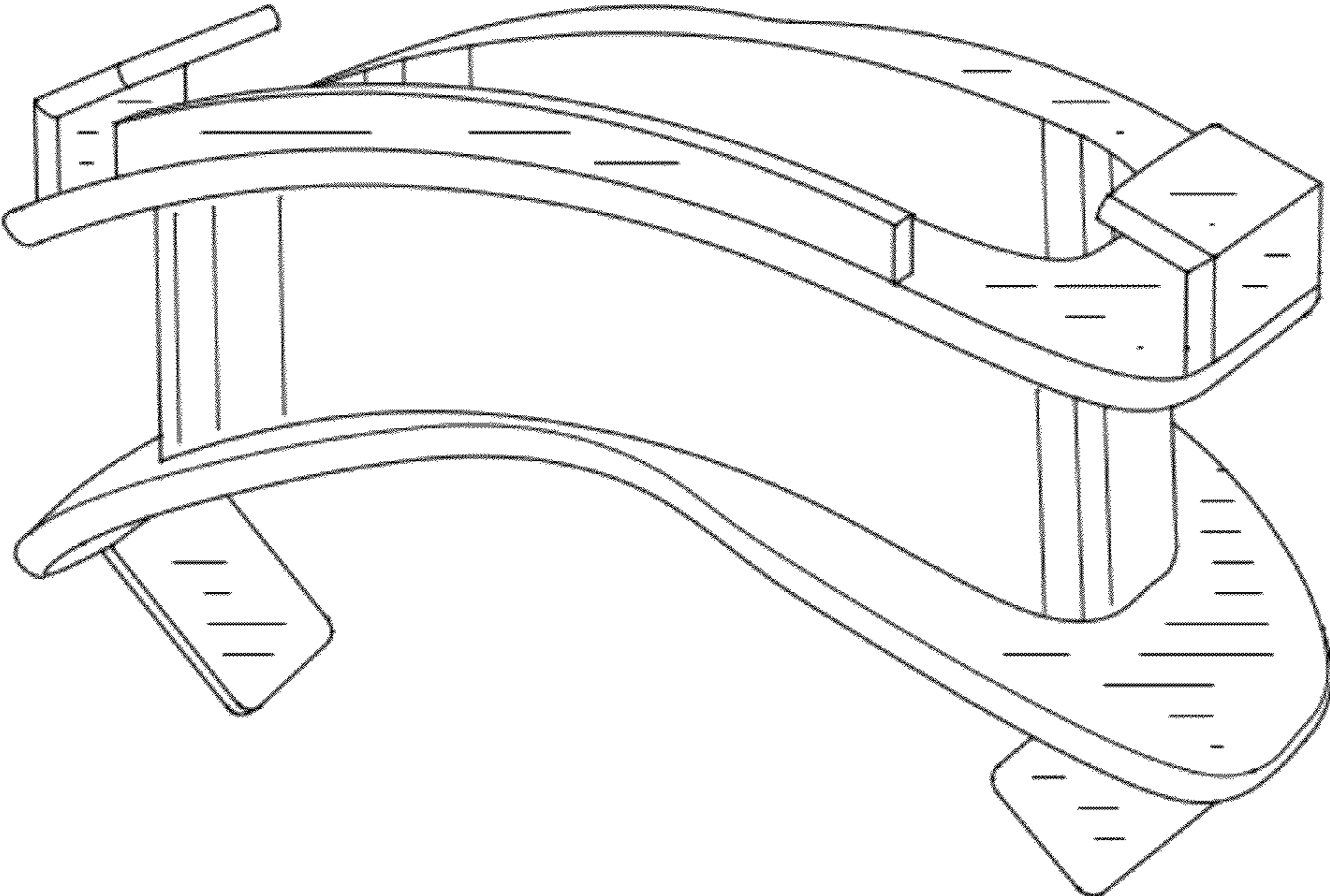


FIG. 2

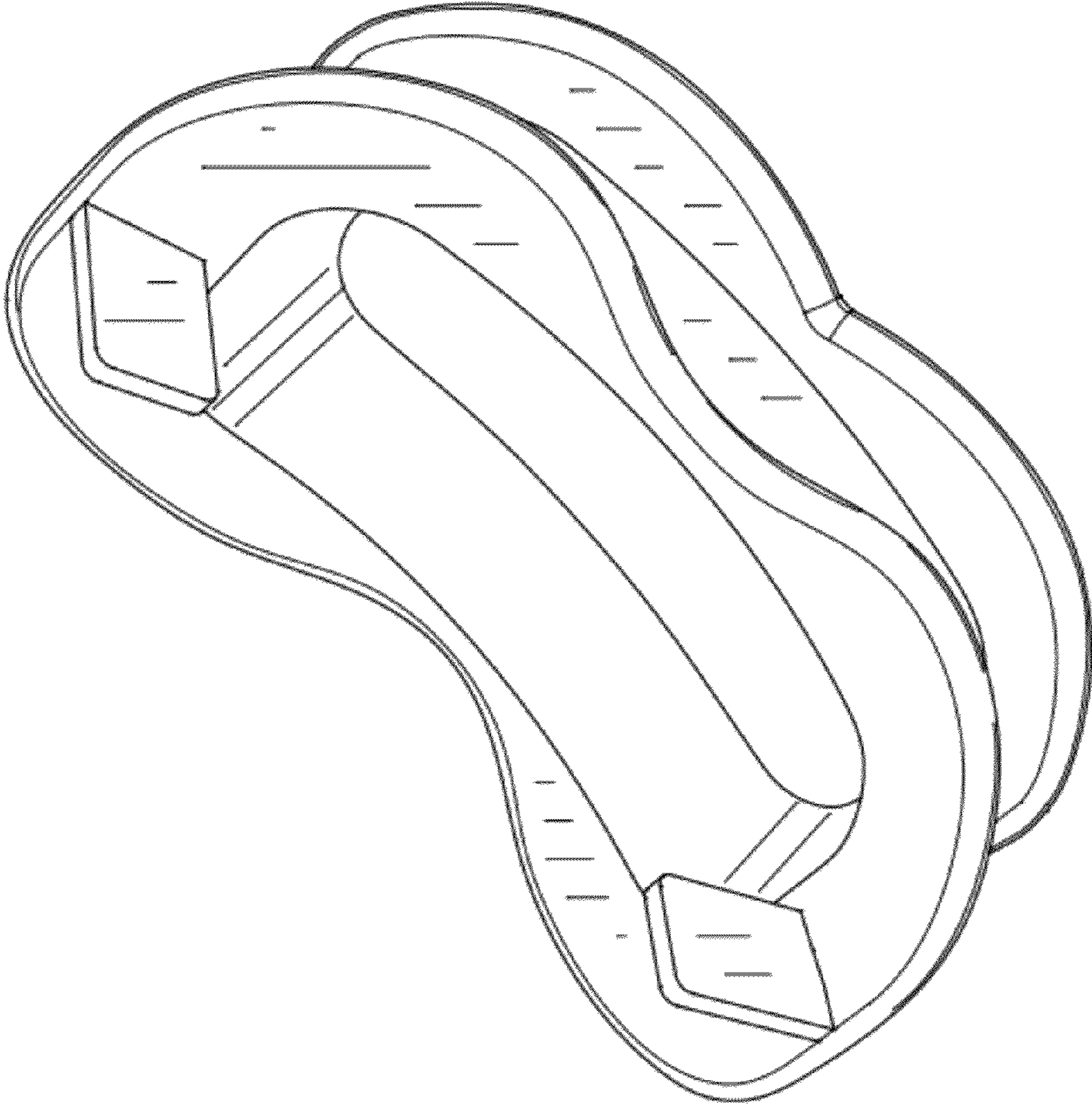


FIG. 3

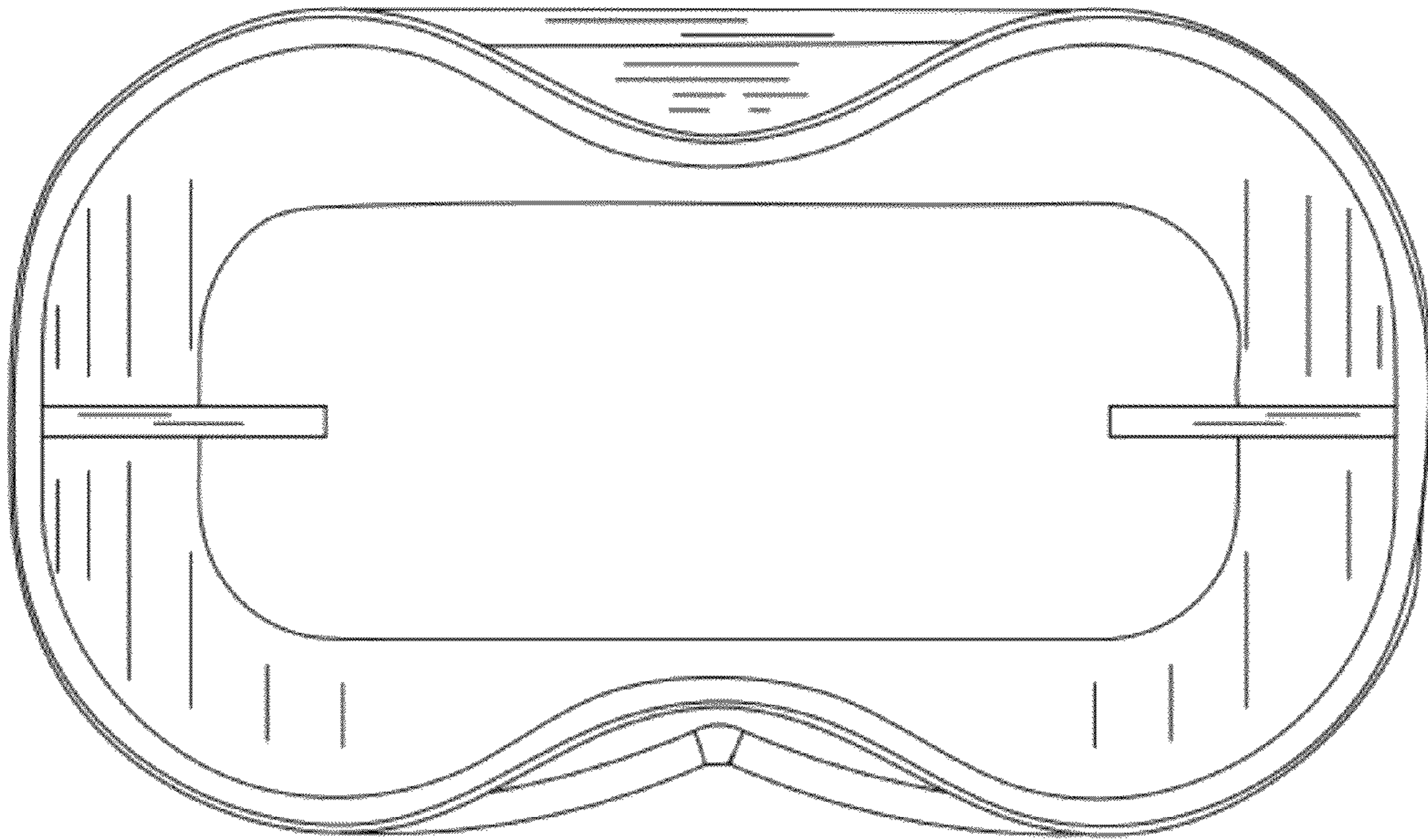


FIG. 4

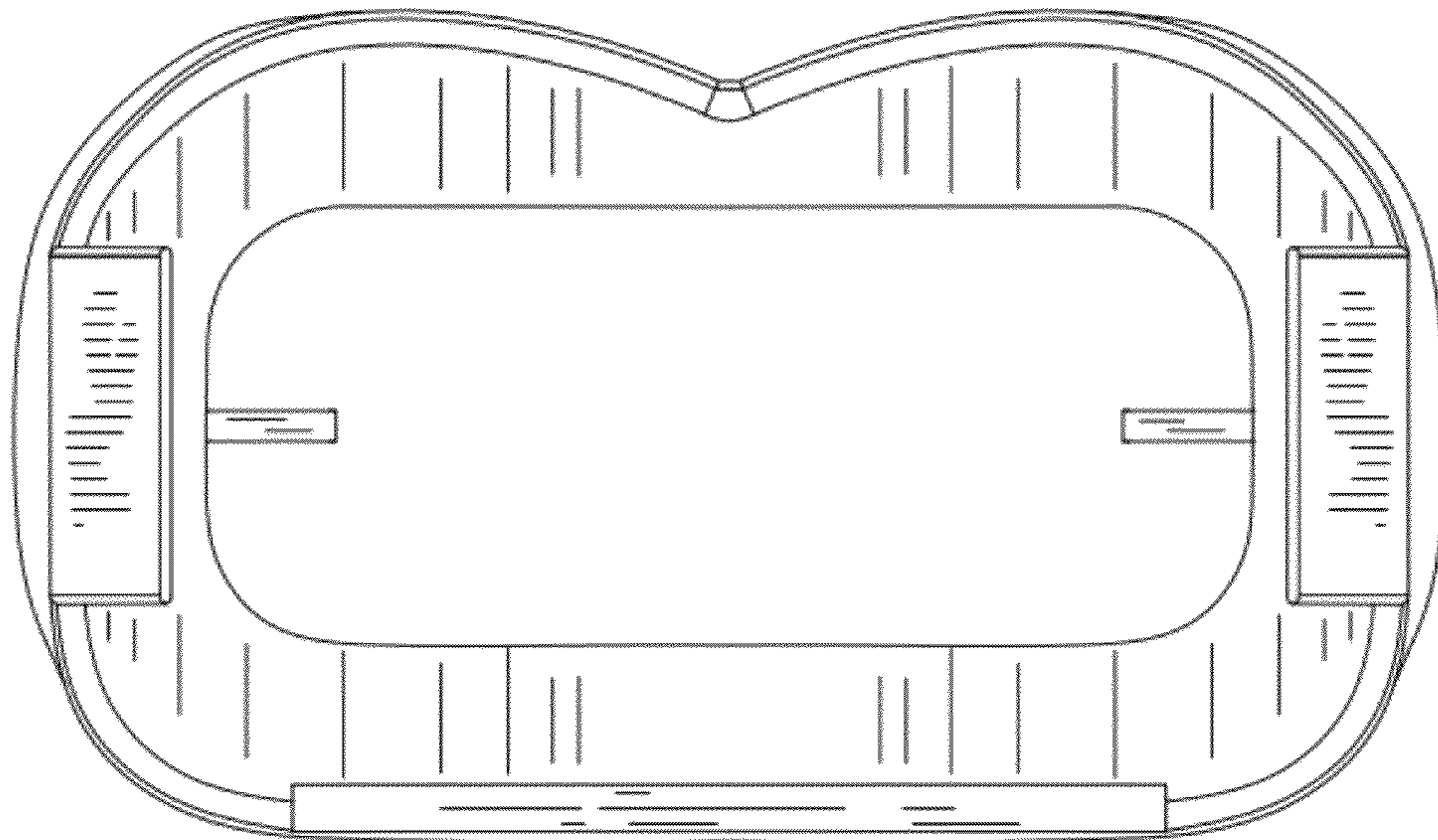


FIG. 5

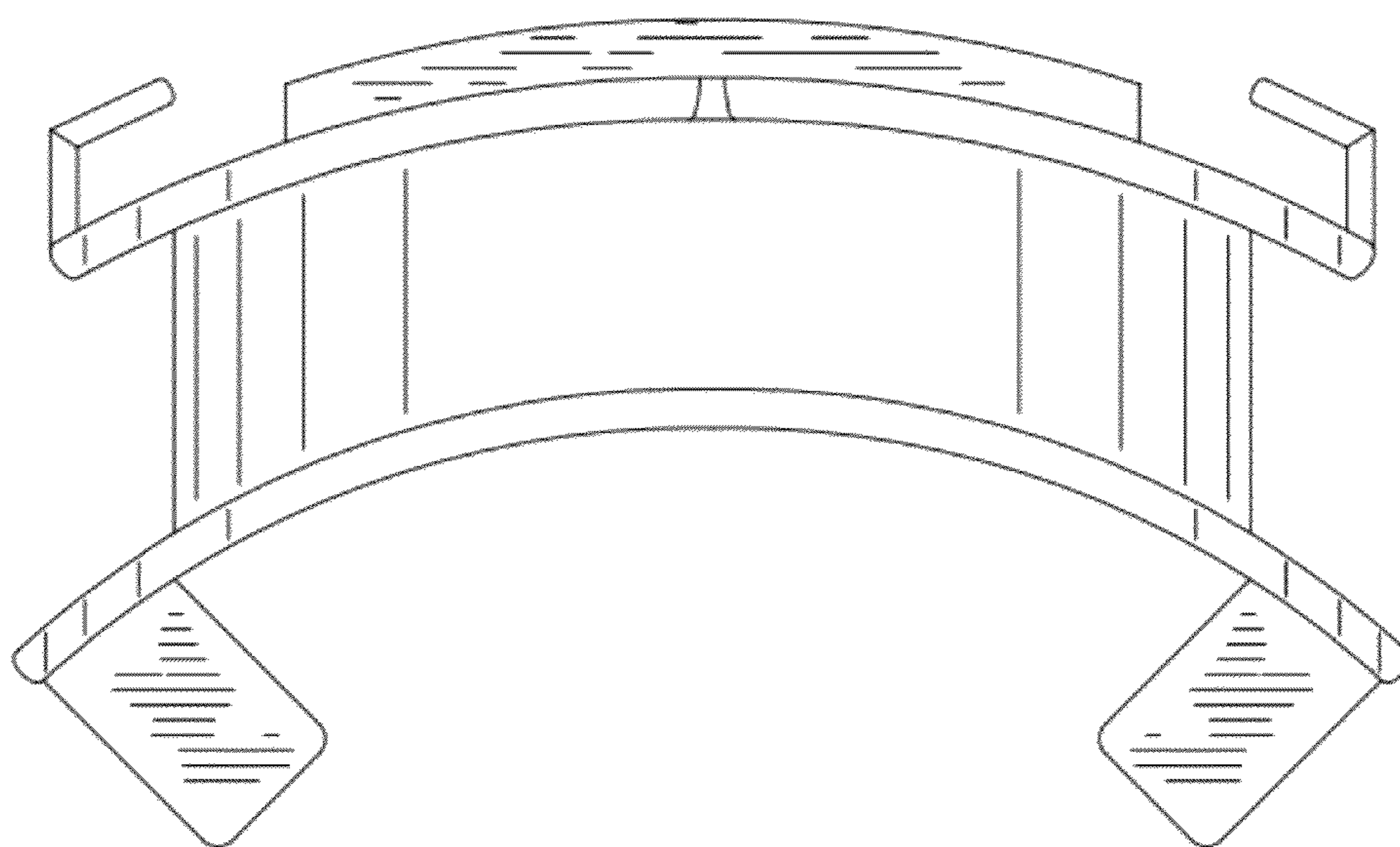


FIG. 6

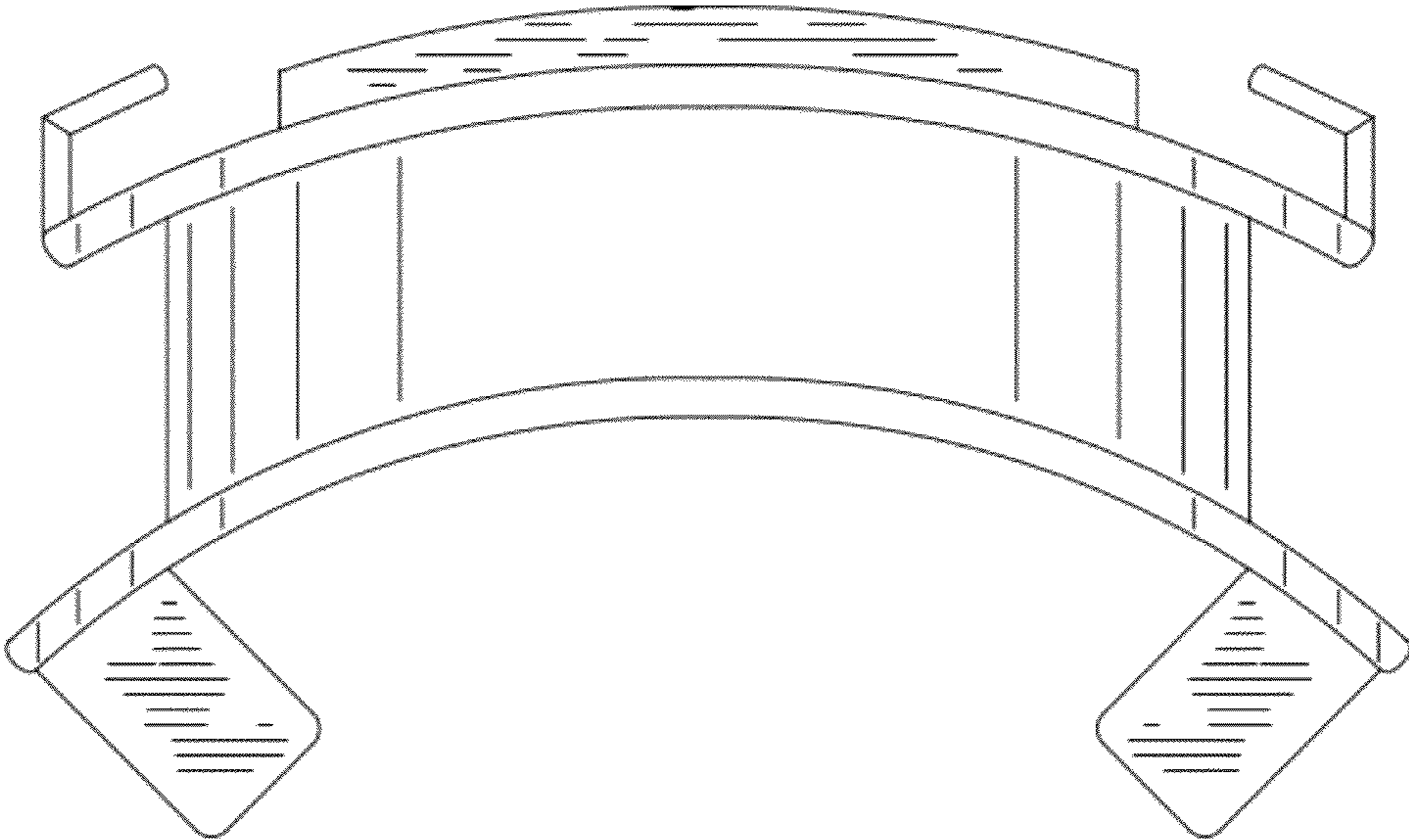


FIG. 7

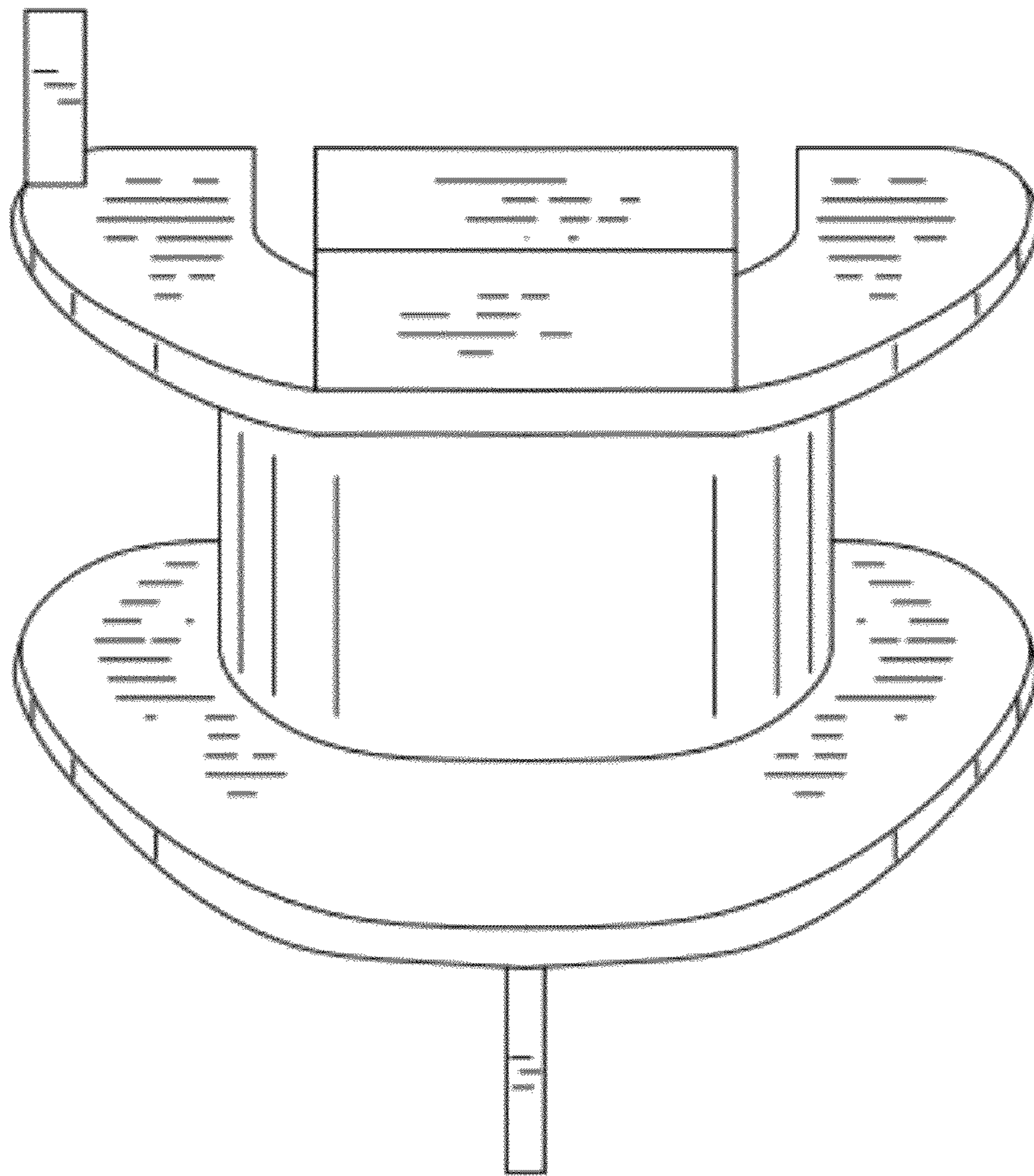


FIG. 8

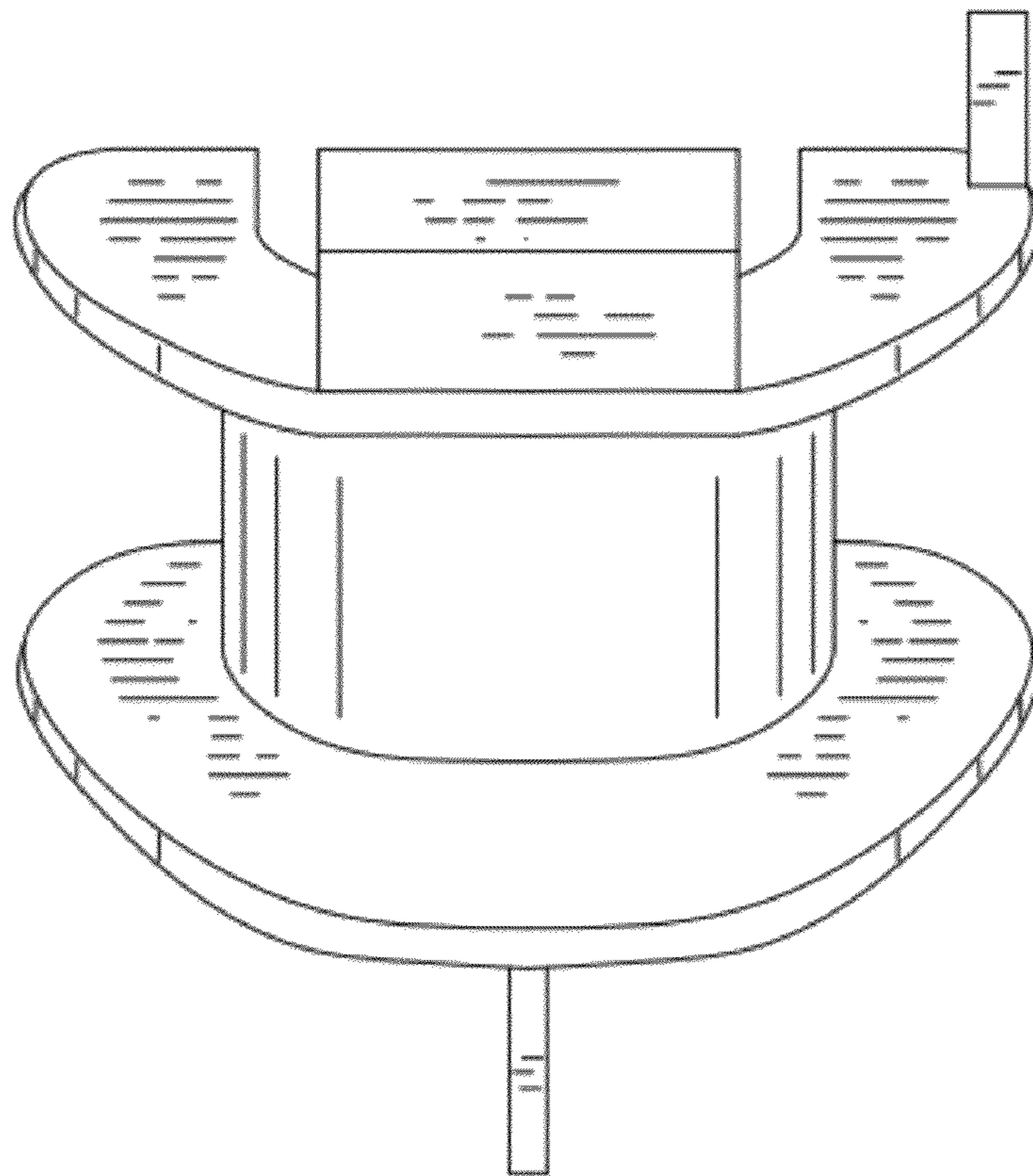


FIG. 9