



US00D660968S

(12) **United States Design Patent**
Smith et al.

(10) **Patent No.:** **US D660,968 S**

(45) **Date of Patent:** **** May 29, 2012**

(54) **ORTHODONTIC BRACKET**

(75) Inventors: **Jeffrey Allen Smith**, Denver, CO (US);
Nam Trinh, Highlands Ranch, CO (US)

(73) Assignee: **RMO, Inc.**, Denver, CO (US)

(**) Term: **14 Years**

(21) Appl. No.: **29/391,876**

(22) Filed: **May 13, 2011**

(51) **LOC (9) Cl.** **24-99**

(52) **U.S. Cl.** **D24/180**

(58) **Field of Classification Search** D24/155-156,
D24/176, 180; 433/8-18

See application file for complete search history.

(56) **References Cited**

U.S. PATENT DOCUMENTS

1,890,487 A	12/1932	Angle
3,028,671 A	4/1962	Berger
3,391,461 A	7/1968	Johnson
3,435,527 A	4/1969	Kesling
3,494,034 A	2/1970	Kesling
3,496,637 A	2/1970	Etengoff
3,504,438 A	4/1970	Wittman et al.
3,526,961 A	9/1970	Kesling
3,765,091 A	10/1973	Northcutt
3,838,514 A	10/1974	Polak
3,854,207 A	12/1974	Wildman
3,874,080 A	4/1975	Wallshein
3,922,787 A	12/1975	Fischer et al.
3,930,311 A	1/1976	Andrews
3,964,156 A	6/1976	Williams et al.
3,969,821 A	7/1976	Lee, Jr. et al.
4,028,809 A	6/1977	Wallshein
4,063,360 A	12/1977	Waller
4,094,068 A	6/1978	Schinhammer
4,103,423 A	8/1978	Kessel
4,134,208 A	1/1979	Pearlman
4,165,561 A	8/1979	Miller et al.
4,172,999 A	10/1979	Leidich
4,193,195 A	3/1980	Merkel et al.
4,197,642 A	4/1980	Wallshein

4,219,617 A	8/1980	Wallshein
D256,950 S	9/1980	Sable
4,242,085 A	12/1980	Wallshein
4,243,386 A	1/1981	Kawaguchi
4,260,375 A	4/1981	Wallshein

(Continued)

FOREIGN PATENT DOCUMENTS

DE 2534368 2/1977

(Continued)

OTHER PUBLICATIONS

“Brinellium—A Harder, Stronger, and More Wettable Form of Aluminum Oxide,” Technical Advances, Materials Technology, Mar./Apr. 1993, vol. 8(3/4), pp. 44-45.

(Continued)

Primary Examiner — Wan Laymon

(74) Attorney, Agent, or Firm — Sheridan Ross P.C.

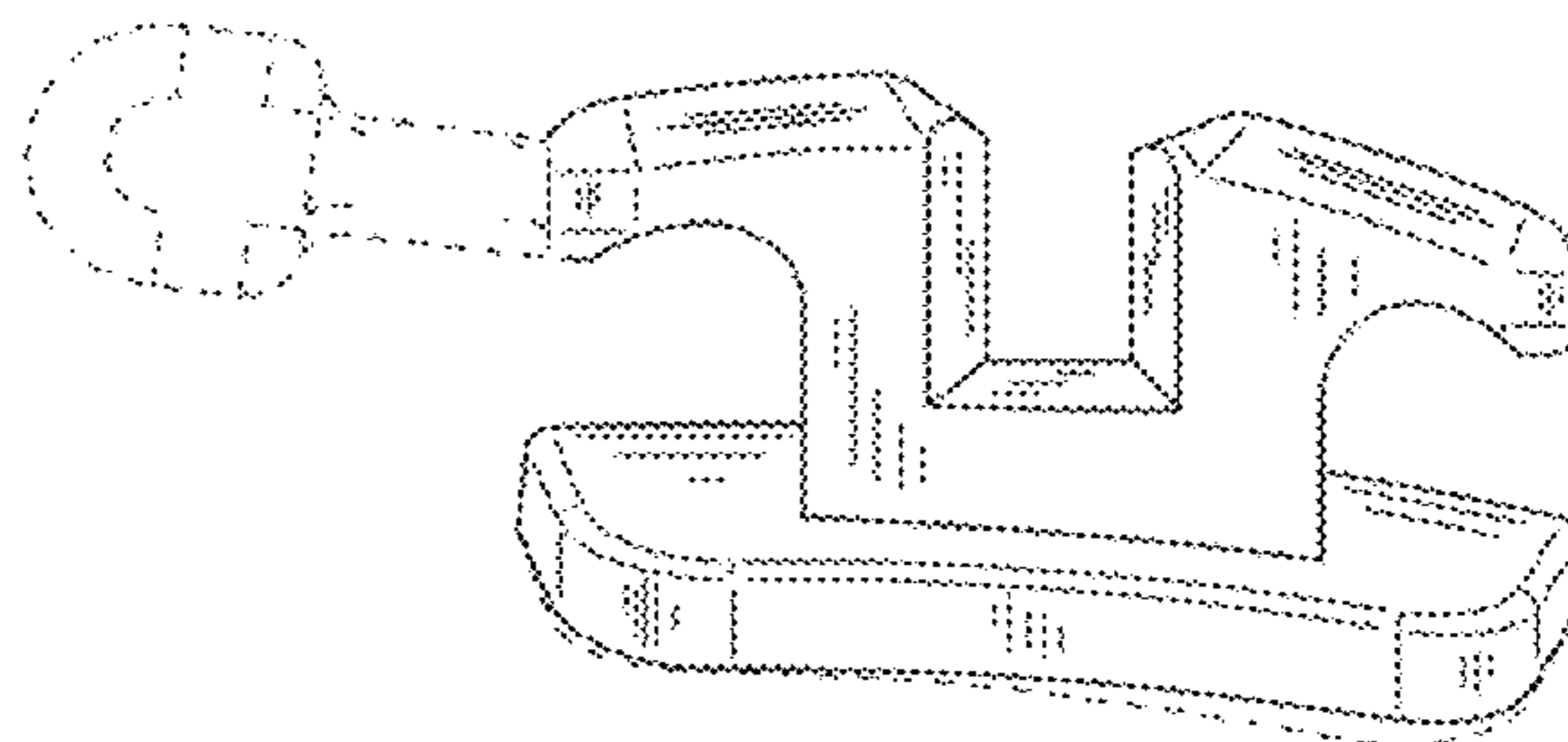
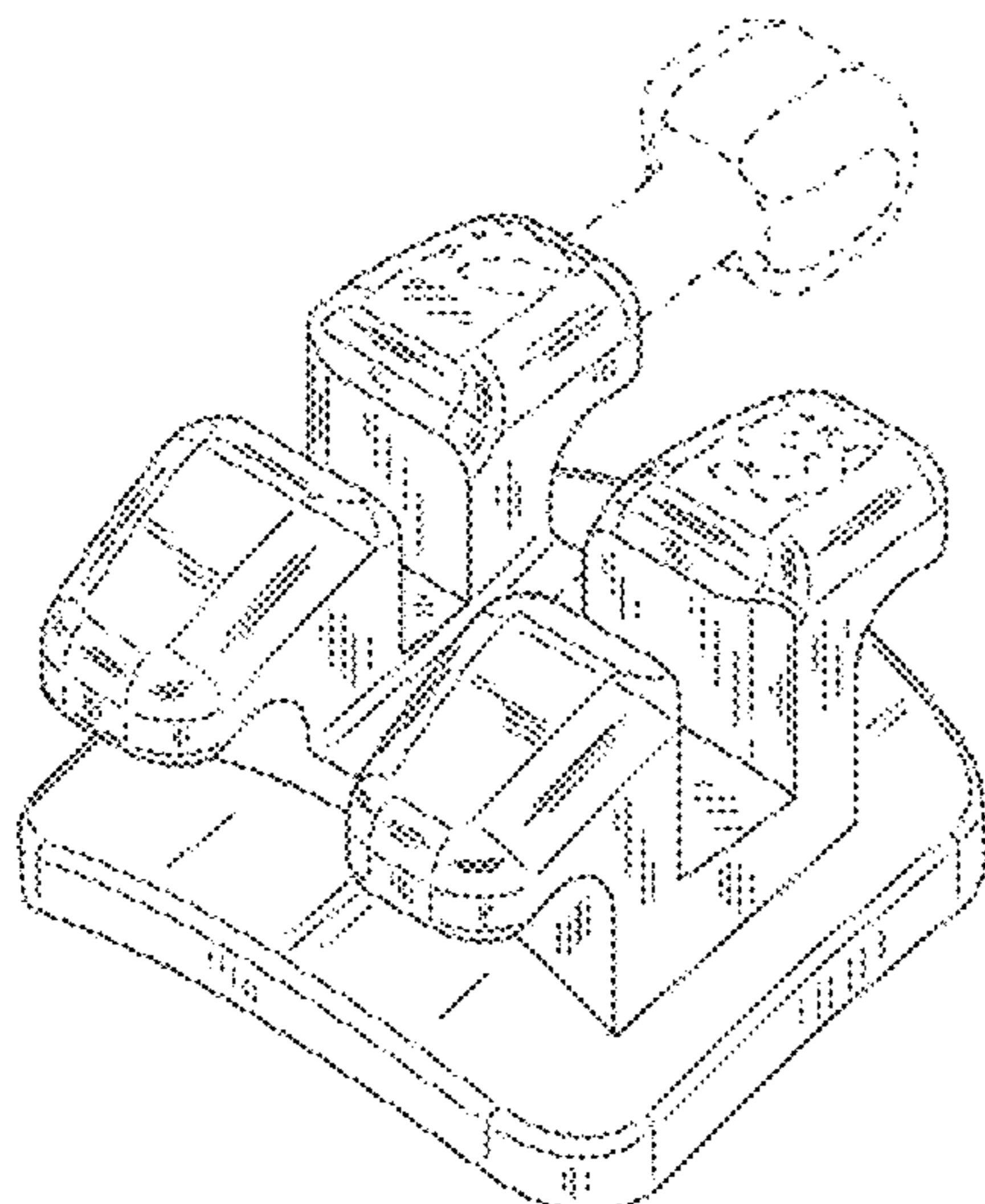
(57) **CLAIM**

The ornamental design for an orthodontic bracket, as shown and described.

DESCRIPTION

FIG. 1 is a front perspective view of an orthodontic bracket showing the new design;
FIG. 2 is a top plan view thereof;
FIG. 3 is a bottom plan view thereof;
FIG. 4 is a second front perspective view thereof;
FIG. 5 is a cross-section thereof taken from line 5-5 of FIG. 2;
FIG. 6 is a rear perspective view thereof;
FIG. 7 is a cross-section thereof taken from line 7-7 of FIG. 2;
FIG. 8 is a left perspective view thereof; and,
FIG. 9 is a right perspective view thereof.
The broken lines shown in the figures represent portions of the orthodontic bracket that form no part of the claimed design.

1 Claim, 7 Drawing Sheets



US D660,968 S

U.S. PATENT DOCUMENTS					
4,299,569 A	11/1981	Frantz	5,203,804 A	4/1993	Nikutowski et al.
4,302,532 A	11/1981	Wallshein	5,226,814 A	7/1993	Allen
4,322,206 A	3/1982	Reynolds	5,230,620 A	7/1993	Watanabe
4,354,834 A	10/1982	Wilson	5,232,361 A	8/1993	Sachdeva et al.
4,386,908 A	6/1983	Kurz	5,238,402 A	8/1993	Rohlcke et al.
4,415,330 A	11/1983	Daisley et al.	5,242,299 A	9/1993	Yoshida
4,419,078 A	12/1983	Pletcher	D340,523 S	10/1993	Barngrover
4,430,061 A	2/1984	Webb et al.	5,252,066 A *	10/1993	Fairhurst 433/8
4,443,190 A	4/1984	Kurz	5,254,002 A	10/1993	Reher et al.
4,478,577 A	10/1984	Warren, Jr.	5,256,062 A	10/1993	Griott
4,487,580 A	12/1984	Ridgeway	5,267,854 A	12/1993	Schmitt
4,498,867 A	2/1985	Kesling	5,267,855 A	12/1993	Tuneberg
4,527,975 A	7/1985	Ghafari et al.	5,269,680 A	12/1993	Kawaguchi
4,529,382 A	7/1985	Creekmore	5,277,581 A	1/1994	Peterson
4,531,911 A	7/1985	Creekmore	5,282,743 A	2/1994	Miura
4,531,991 A	7/1985	Ziemek et al.	5,288,229 A	2/1994	Huff et al.
4,536,154 A	8/1985	Garton, Jr. et al.	5,292,248 A	3/1994	Schultz
4,544,353 A	10/1985	Maurer et al.	5,295,823 A	3/1994	Farzin-Nia
4,545,760 A	10/1985	Forster	5,299,934 A	4/1994	Suyama
4,582,487 A	4/1986	Creekmore	5,302,117 A	4/1994	Kraut et al.
4,604,057 A	8/1986	Viglietti	5,302,121 A	4/1994	Gagin
4,626,209 A	12/1986	Tsai et al.	5,318,440 A	6/1994	Adam et al.
4,639,218 A *	1/1987	Jones et al. 433/8	5,320,525 A	6/1994	Forster
4,659,309 A	4/1987	Merkel	5,320,526 A	6/1994	Tuneberg
4,661,059 A	4/1987	Kanno	5,322,435 A	6/1994	Pletcher
D290,040 S	5/1987	Kelly	5,362,232 A	11/1994	Franseen et al.
4,669,981 A	6/1987	Kurz	5,362,233 A	11/1994	Thompson
4,681,538 A *	7/1987	DeLuca et al. 433/9	5,376,002 A	12/1994	Andreiko
D291,919 S	9/1987	Reynolds	D358,649 S	5/1995	Moschik
4,712,999 A	12/1987	Rosenberg	D358,650 S	5/1995	Moschik
4,717,341 A	1/1988	Goldberg et al.	D359,776 S	6/1995	Hilgers
4,735,569 A	4/1988	Munk	5,425,640 A	6/1995	Scharf
4,752,221 A	6/1988	Hanson et al.	5,441,408 A	8/1995	Moschik
4,773,853 A	9/1988	Kussick	5,441,409 A	8/1995	Tuneberg
4,781,334 A	11/1988	Derichs	5,443,384 A	8/1995	Franseen et al.
4,781,582 A	11/1988	Kesling	5,454,716 A	10/1995	Banerjee et al.
4,793,804 A	12/1988	Schudy	5,456,599 A	10/1995	Hanson
4,799,882 A	1/1989	Kesling	5,470,228 A	11/1995	Franseen et al.
4,819,316 A	4/1989	Rossini et al.	5,522,725 A	6/1996	Jordan et al.
4,820,151 A	4/1989	Pospisil	5,556,277 A	9/1996	Yawata et al.
4,838,786 A	6/1989	Reher et al.	5,588,833 A	12/1996	Risse
4,842,512 A	6/1989	Kesling	5,595,484 A	1/1997	Orikasa et al.
4,854,866 A	8/1989	Wilson	5,597,302 A	1/1997	Pospisil et al.
4,859,179 A	8/1989	Kesling	5,607,301 A	3/1997	Roman
4,902,224 A	2/1990	Collins et al.	5,616,026 A	4/1997	Cash
4,917,602 A	4/1990	Broussard	5,618,174 A	4/1997	Mors
4,927,362 A	5/1990	Snead	5,618,175 A	4/1997	Reher et al.
4,936,773 A	6/1990	Kawaguchi	5,622,494 A	4/1997	Andreiko et al.
4,954,080 A	9/1990	Kelly et al.	5,653,588 A	8/1997	Moschik
4,963,092 A	10/1990	Snead	5,685,711 A	11/1997	Hanson
4,975,052 A	12/1990	Spencer et al.	5,692,898 A	12/1997	Orikasa et al.
4,988,293 A *	1/1991	Collins et al. 433/8	5,707,231 A	1/1998	Watt et al.
4,997,182 A	3/1991	Kussick	5,711,666 A *	1/1998	Hanson 433/11
5,011,403 A	4/1991	Sadoun et al.	5,727,941 A	3/1998	Kesling
5,022,854 A	6/1991	Broughton et al.	5,729,768 A	3/1998	Fields et al.
5,030,089 A	7/1991	Kawaguchi	5,746,592 A	5/1998	Nezu et al.
5,044,945 A	9/1991	Peterson	5,746,594 A	5/1998	Jordan et al.
5,057,012 A	10/1991	Kesling	RE35,863 E	7/1998	Sachdeva et al.
5,059,119 A	10/1991	Snead	5,779,470 A	7/1998	Kussick
5,062,794 A	11/1991	Miura	5,810,583 A	9/1998	Doyle
5,066,225 A	11/1991	Forbes Jones et al.	5,816,801 A *	10/1998	Farzin-Nia et al. 433/8
5,067,897 A	11/1991	Tuneberg	5,829,972 A	11/1998	Farzin-Nia
D322,482 S	12/1991	Ianieri et al.	5,857,849 A	1/1999	Kurz
5,071,344 A	12/1991	Wong et al.	5,871,350 A	2/1999	Clark et al.
5,078,596 A	1/1992	Carberry et al.	5,885,073 A	3/1999	Kussick
5,095,602 A	3/1992	Reher et al.	5,885,074 A	3/1999	Hanson
5,098,288 A	3/1992	Kesling	5,890,891 A	4/1999	Doyle
5,125,831 A	6/1992	Pospisil	5,908,293 A	6/1999	Voudouris
5,125,832 A	6/1992	Kesling	5,915,550 A	6/1999	Gartz
5,127,828 A	7/1992	Suyama	6,053,729 A	4/2000	Brehm et al.
5,133,740 A	7/1992	Kussick	6,086,364 A	7/2000	Brunson
5,145,365 A *	9/1992	Farzin-Nia et al. 433/8	6,109,916 A	8/2000	Wilcko et al.
5,151,028 A	9/1992	Snead	6,126,441 A	10/2000	Tenti
5,154,607 A	10/1992	Hanson	6,190,165 B1	2/2001	Andreiko et al.
5,158,452 A	10/1992	Franseen et al.	6,193,508 B1	2/2001	Georgakis
5,160,261 A	11/1992	Peterson	6,206,690 B1	3/2001	Vargas
5,161,969 A	11/1992	Pospisil et al.	6,217,322 B1	4/2001	Kesling
D331,975 S	12/1992	Pospisil	6,220,857 B1	4/2001	Abels
			6,227,849 B1	5/2001	Brehm et al.

US D660,968 S

Page 3

6,264,469	B1	7/2001	Moschik	
6,280,185	B1	8/2001	Palmer et al.	
6,347,939	B2	2/2002	Abels	
6,394,798	B1	5/2002	Huff et al.	
6,428,314	B1	8/2002	Jones, Jr. et al.	
6,461,157	B1	10/2002	Kussick	
6,478,579	B1	11/2002	Brusse	
6,491,519	B1	12/2002	Clark et al.	
6,607,383	B2	8/2003	Abels et al.	
6,616,445	B2	9/2003	Abels et al.	
6,655,957	B2	12/2003	Abels et al.	
6,655,958	B2	12/2003	Abels et al.	
6,656,767	B1	12/2003	King et al.	
6,659,766	B2	12/2003	Abels et al.	
6,659,767	B2	12/2003	Abels et al.	
6,695,612	B2	2/2004	Abels et al.	
6,705,862	B2	3/2004	Schultz	
6,709,268	B2	3/2004	Pospisil et al.	
6,733,286	B2	5/2004	Abels et al.	
6,776,613	B2	8/2004	Orikasa	
6,846,178	B2	1/2005	Freeman, Jr. et al.	
D504,950	S *	5/2005	Lai et al.	D24/180
6,893,257	B2	5/2005	Kelly	
6,910,884	B2	6/2005	Kelly et al.	
6,913,459	B2	7/2005	Fukutomi	
7,025,591	B1	4/2006	Kesling	
7,033,171	B2	4/2006	Wilkerson	
7,192,274	B2 *	3/2007	Stadtmiller et al.	433/8
7,210,927	B2	5/2007	Abels et al.	
7,234,935	B2	6/2007	Abels et al.	
7,481,651	B2 *	1/2009	Sernetz et al.	433/10
7,695,277	B1	4/2010	Stevens	
7,959,437	B2	6/2011	Zakhem	
8,033,824	B2 *	10/2011	Oda et al.	433/11
2002/0110778	A1	8/2002	Abels et al.	
2002/0187452	A1	12/2002	Abels et al.	
2003/0049582	A1	3/2003	Abels et al.	
2005/0003320	A1	1/2005	Freeman et al.	
2005/0244777	A1	11/2005	Schultz	
2006/0046224	A1	3/2006	Sondhi et al.	
2007/0264606	A1	11/2007	Muha	
2008/0081310	A1	4/2008	Smith et al.	

2008/0160474	A1	7/2008	Wolf et al.	
2010/0151403	A1 *	6/2010	Tuneberg et al.	433/10
2010/0178629	A1 *	7/2010	Oda et al.	433/14

FOREIGN PATENT DOCUMENTS

DE	2903768	8/1980
DE	8903611	8/1990
DE	69228472	10/1999
EP	0317098	5/1989
EP	0379668	8/1990
EP	0389223	9/1990
EP	0397533	11/1990
EP	0577398	1/1994
EP	0588961	3/1994
EP	0875211	11/1998
EP	1332727	8/2003
EP	1359859	11/2003
ES	2130174	7/1999
FR	2497657	7/1982
JP	64-25847	1/1989
JP	01-160547	6/1989
JP	02-147112	6/1990
JP	03-21236	1/1991
JP	2579431	2/1997
JP	11-276504	10/1999
WO	WO 91/07925	6/1991
WO	WO 92/20296	11/1992
WO	WO 2004/039276	5/2004

OTHER PUBLICATIONS

“Focus on Brackets,” Orthodontic Products, Mar. 2005, pp. 1-2.

3M Unitek Corporation Catalog, 1990, pp. 1-1, 1-3, 3-7, Figs. A, B.

Milewski, John V., “Efficient Use of Whiskers in the Reinforcement of Ceramics,” *Advanced Ceramics*, vol. 1(1), 1986, pp. 36-41.

Ortho Organizers, Inc. Advertisement, “The Supreme™ Mini-Twin®,” *Journal of Clinical Orthodontics*, Sep. 1989, 3 pages.

Ricketts, “Provocations and Perceptions in Cranio-Facial Orthopedics,” RMO, Inc., Denver, Co, USA, 1989, cover and pp. 982-1021.

* cited by examiner

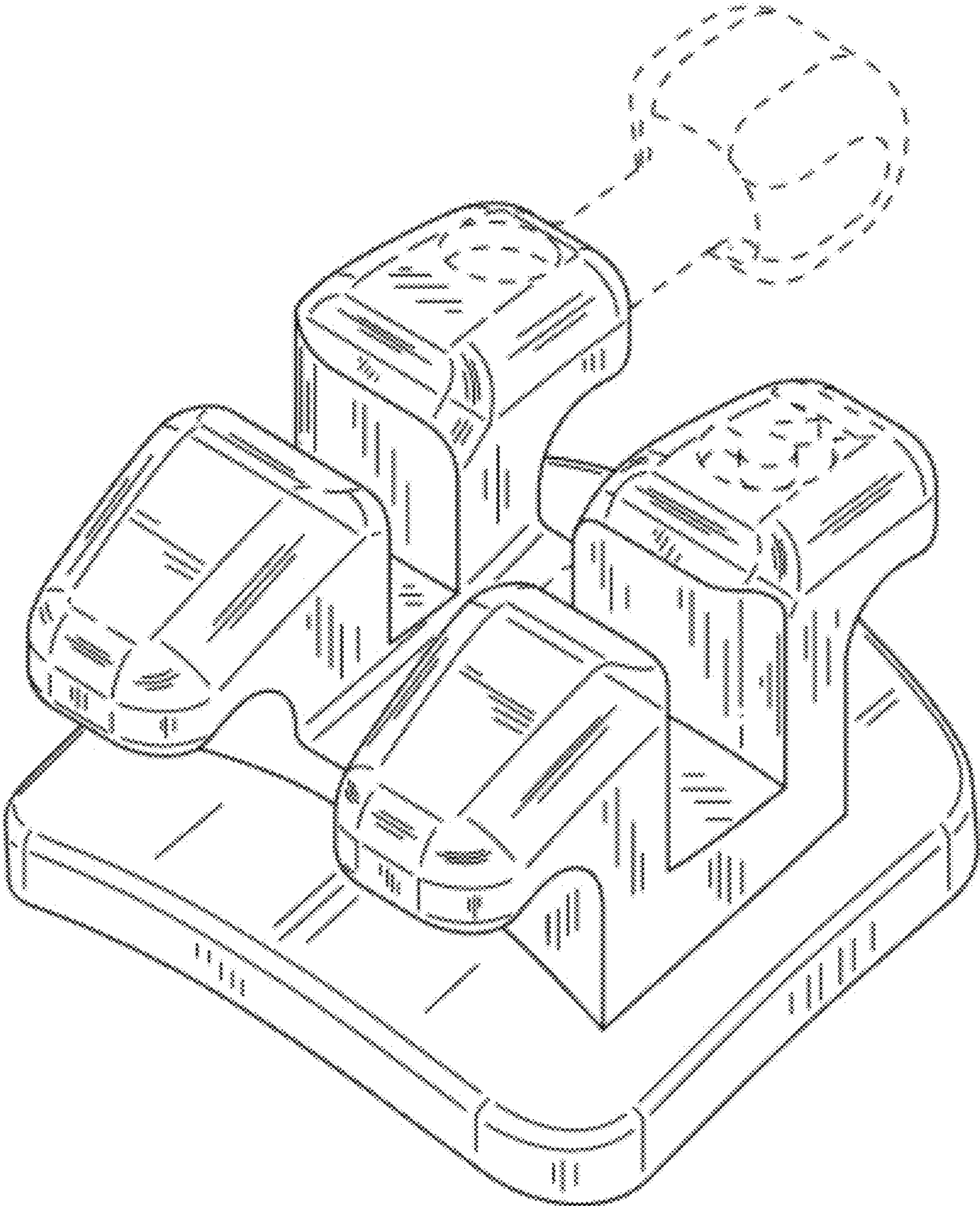


FIG. 1

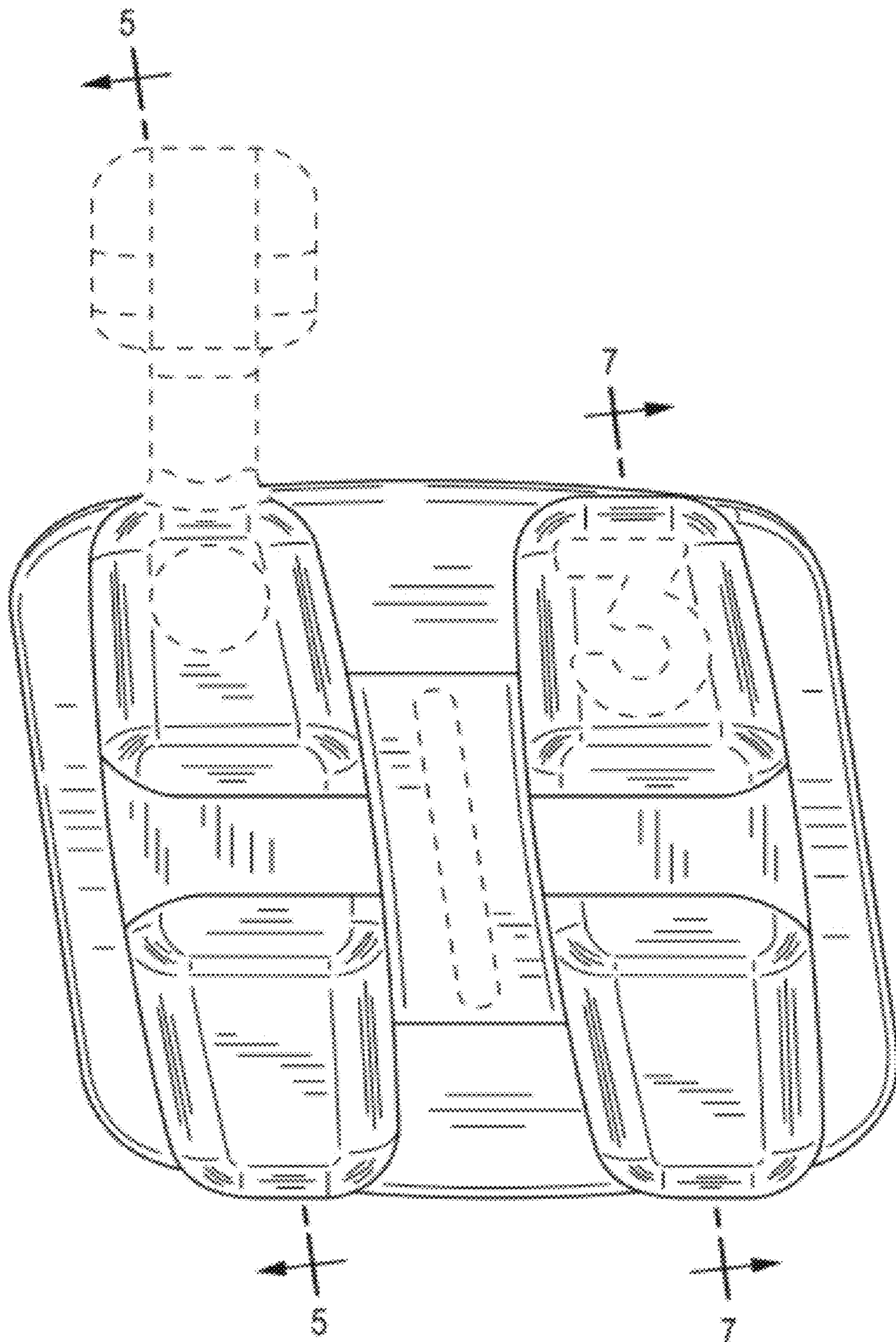


FIG. 2

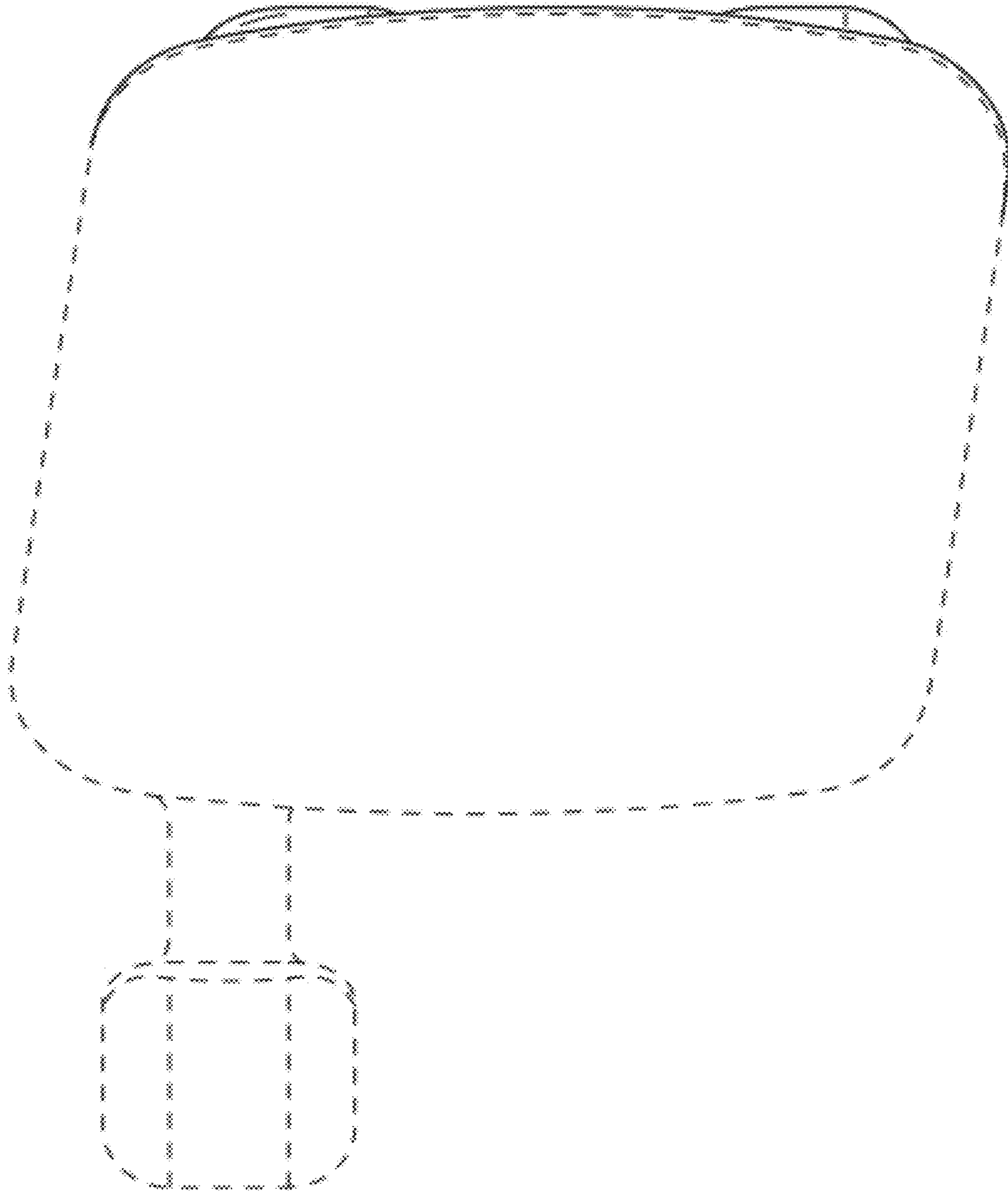


FIG. 3

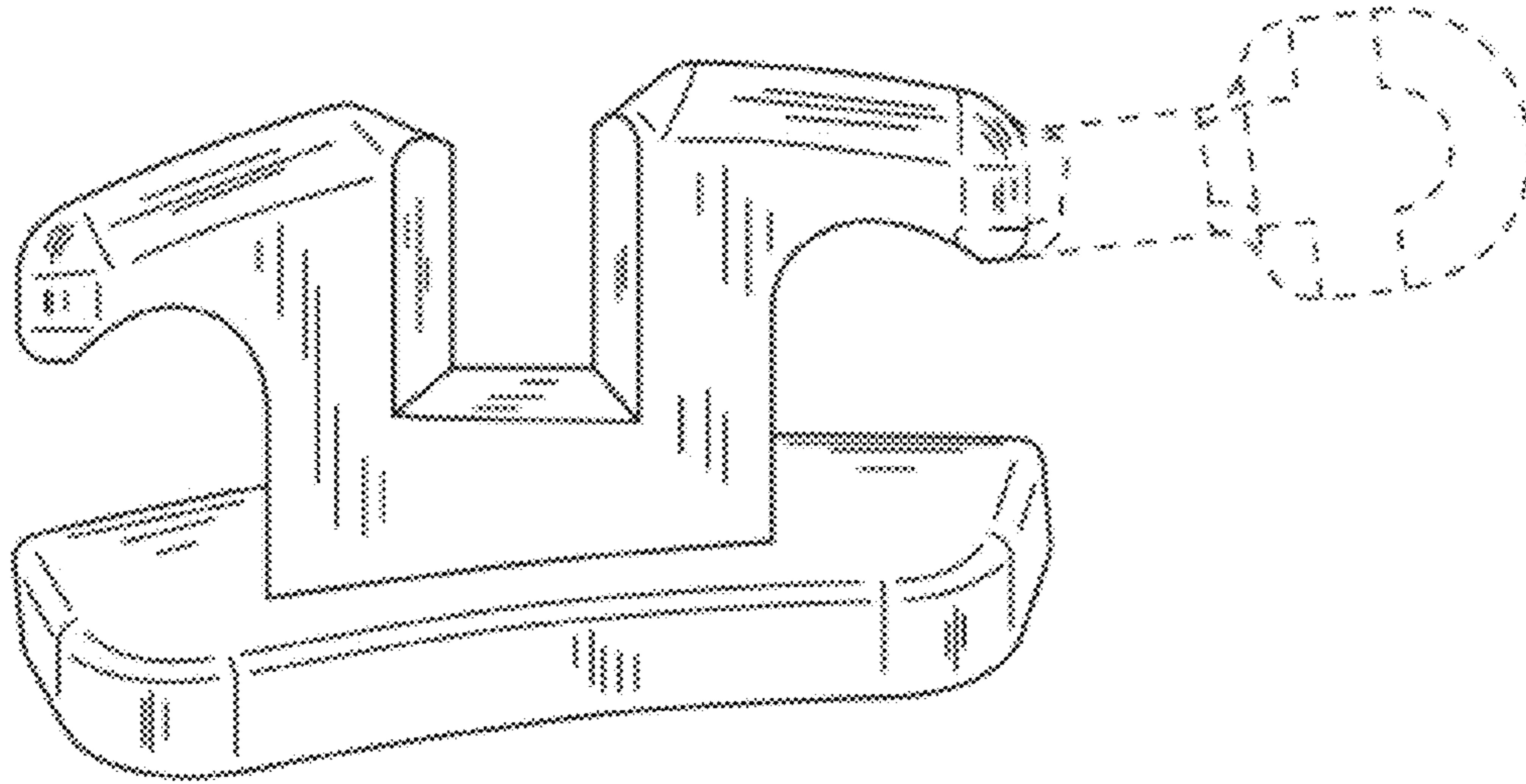


FIG. 4

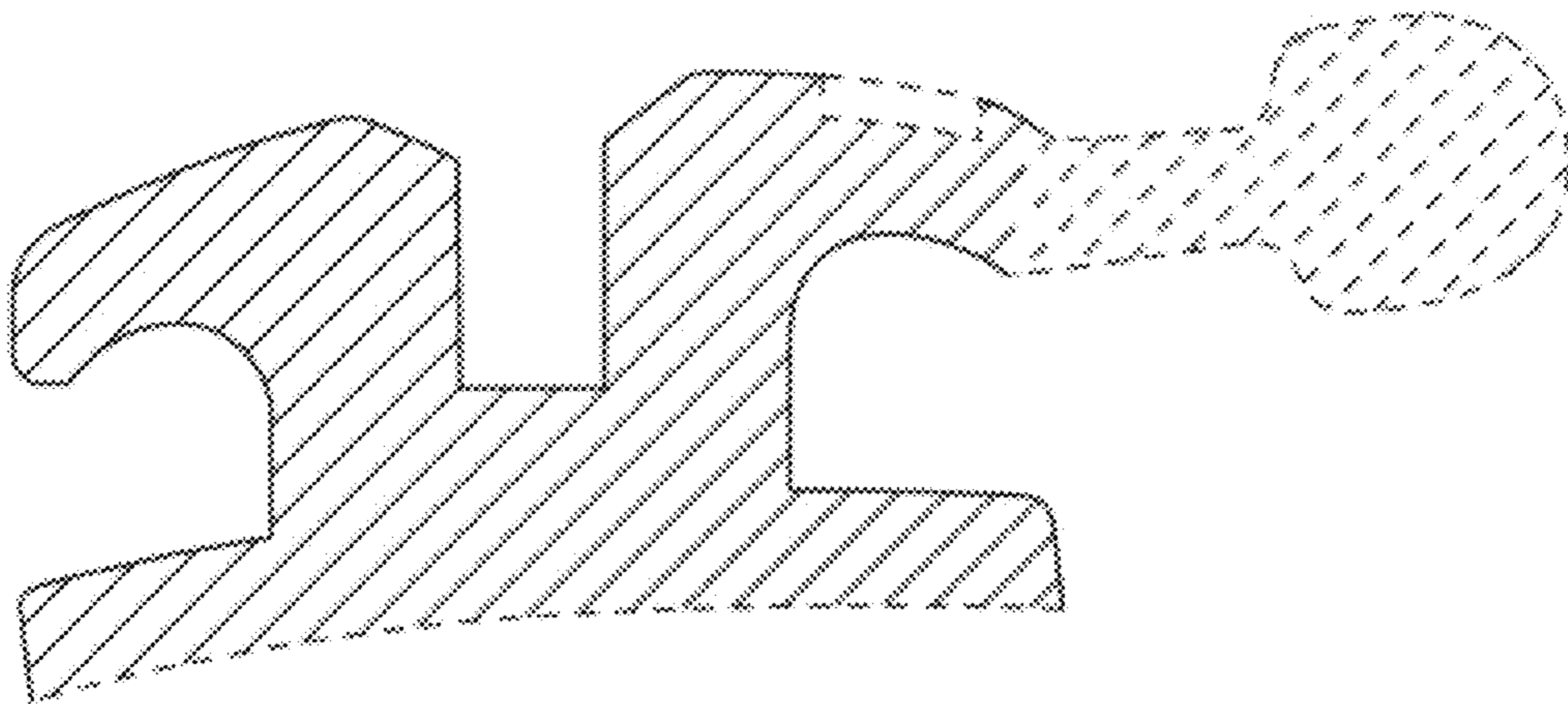


FIG. 5

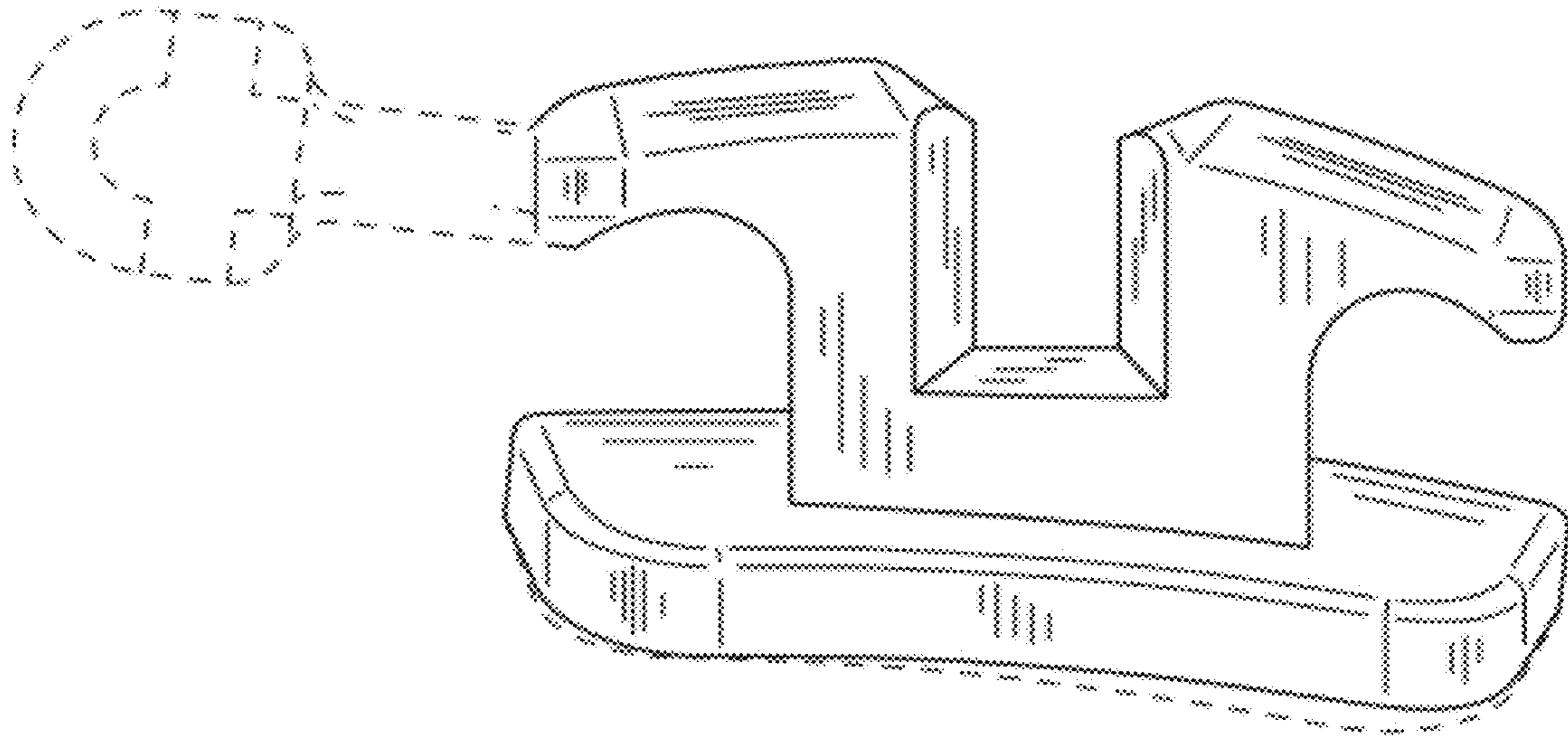


FIG. 6

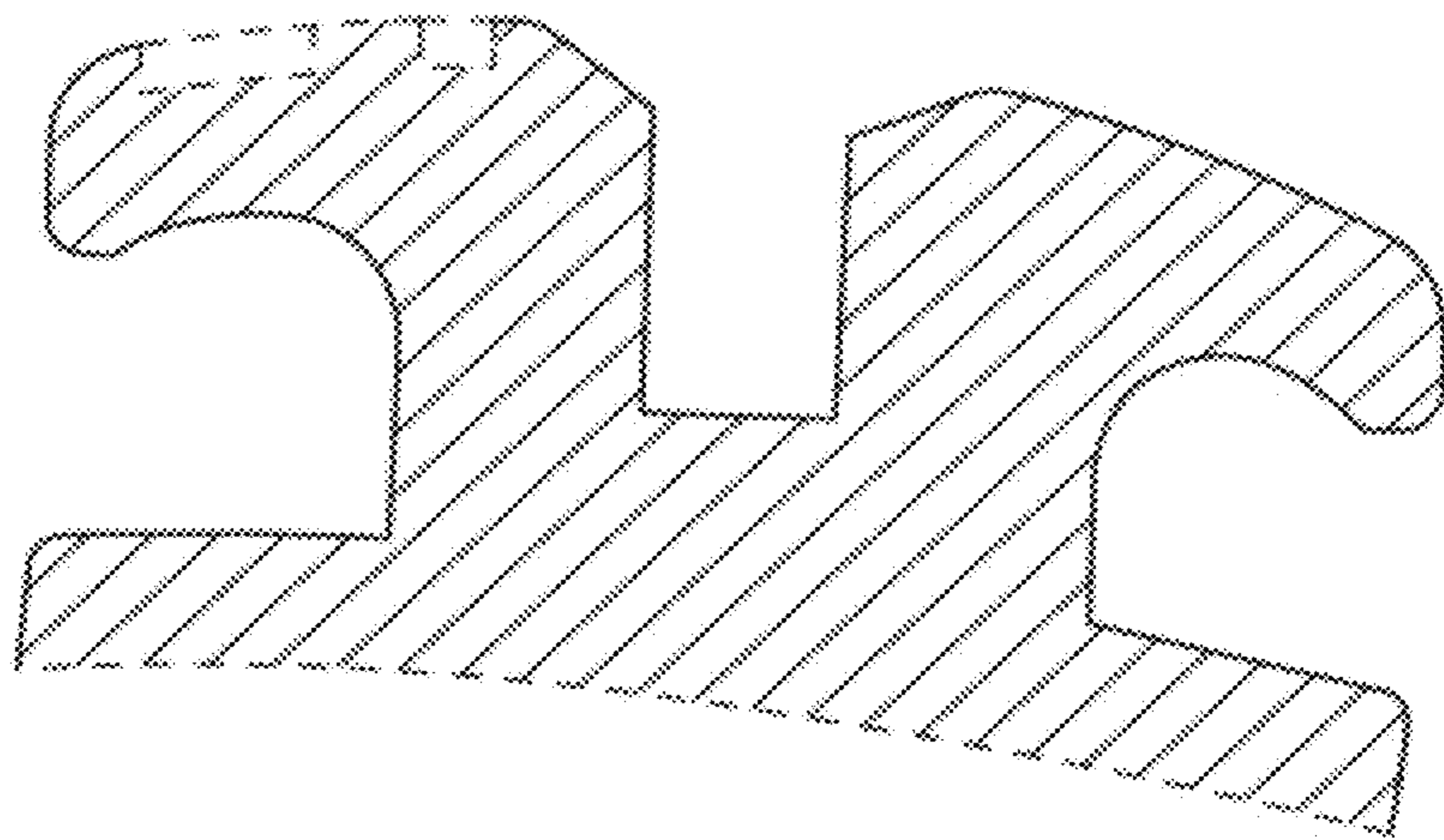


FIG. 7

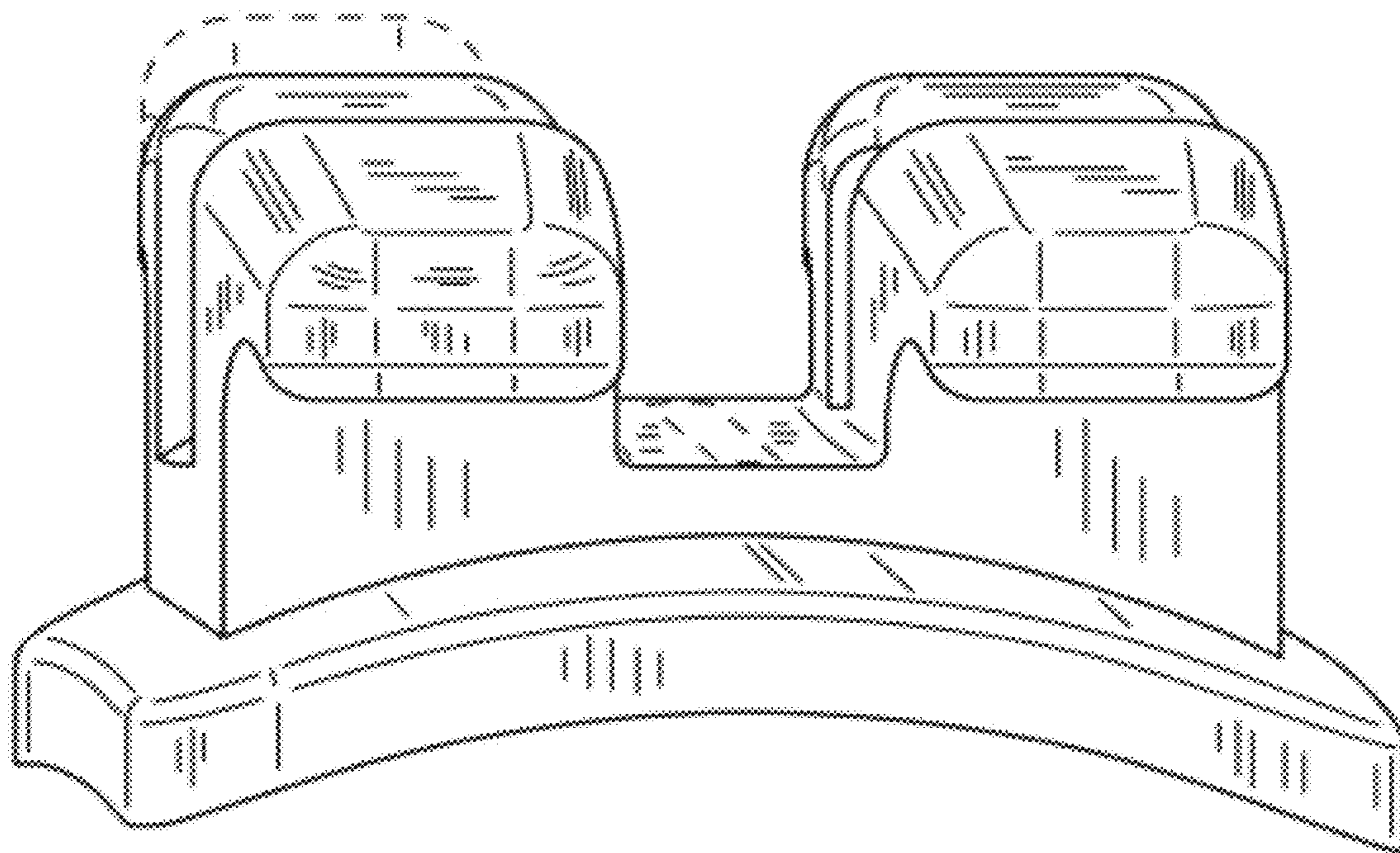


FIG.8

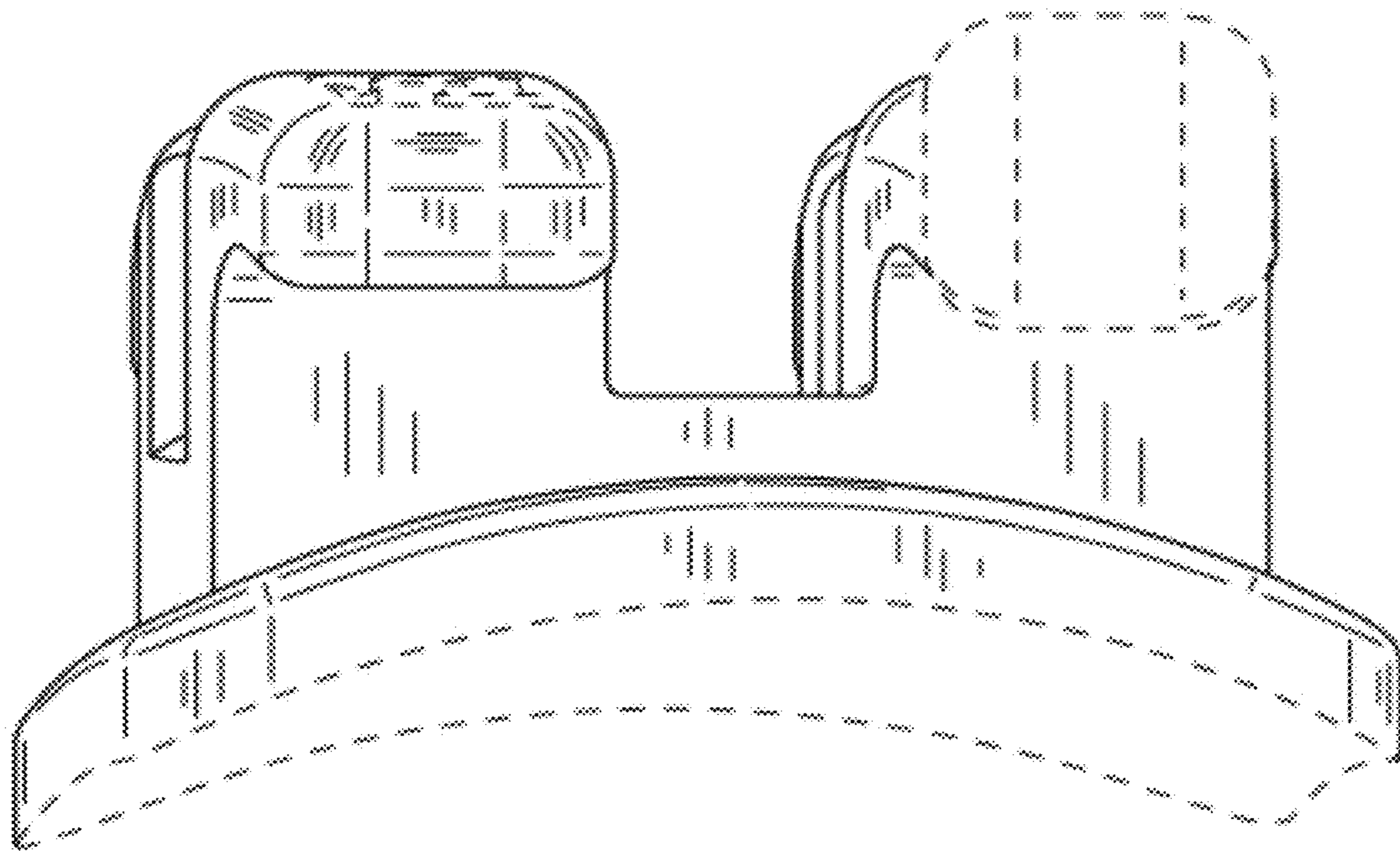


FIG. 9