



US00D660961S

(12) **United States Design Patent**  
**Sahadevan et al.**

(10) **Patent No.:** **US D660,961 S**

(45) **Date of Patent:** **\*\* May 29, 2012**

(54) **VARUS/VALGUS RESECTION GUIDE SET**

(75) Inventors: **Joshin Sahadevan**, Warsaw, IN (US);  
**Abraham P. Habegger**, Warsaw, IN  
(US); **Jeffery A. VanDiepenbos**,  
Syracuse, IN (US); **Steven B. Redding**,  
Huntington, IN (US)

(73) Assignee: **Zimmer, Inc.**, Warsaw, IN (US)

(\*\*) Term: **14 Years**

(21) Appl. No.: **29/394,195**

(22) Filed: **Jun. 14, 2011**

(51) **LOC (9) Cl.** ..... **24-02**

(52) **U.S. Cl.** ..... **D24/140**

(58) **Field of Classification Search** ..... D24/133,  
D24/140, 143, 144, 145, 146, 147, 155, 171;  
606/86 R, 88, 1, 53, 87, 89, 99, 105, 205,  
606/206, 211, 916, 237

See application file for complete search history.

(56) **References Cited**

U.S. PATENT DOCUMENTS

D274,094 S *	5/1984	Kenna	.....	D24/140
5,810,827 A *	9/1998	Haines et al.	.....	606/80
D646,390 S *	10/2011	Bailey et al.	.....	D24/140
D649,638 S *	11/2011	Habegger et al.	.....	D24/140
D649,640 S *	11/2011	Bailey et al.	.....	D24/140
D651,317 S *	12/2011	May et al.	.....	D24/140
D651,318 S *	12/2011	Cronin et al.	.....	D24/140

2006/0247647 A1 *	11/2006	Hodorek et al.	.....	606/87
2010/0217338 A1 *	8/2010	Carroll et al.	.....	606/86 R
2011/0218543 A1 *	9/2011	van der Walt	.....	606/88

\* cited by examiner

*Primary Examiner* — Bridget L Eland

(74) *Attorney, Agent, or Firm* — Faegre Baker Daniels

(57) **CLAIM**

The ornamental design for a varus/valgus resection guide set, as shown and described.

**DESCRIPTION**

FIG. 1 is a perspective view of the valgus guide of the varus/valgus resection guide set of our new design;

FIG. 2 is a top plan view thereof;

FIG. 3 is a bottom plan view thereof;

FIG. 4 is a left side elevation view thereof;

FIG. 5 is a right side elevation view thereof;

FIG. 6 is a rear end elevation view thereof; and

FIG. 7 is a front end elevation thereof.

FIG. 8 is a perspective view of the varus guide of the varus/valgus resection guide set of our new design;

FIG. 9 is a top plan view thereof;

FIG. 10 is a bottom plan view thereof;

FIG. 11 is a left side elevation view thereof;

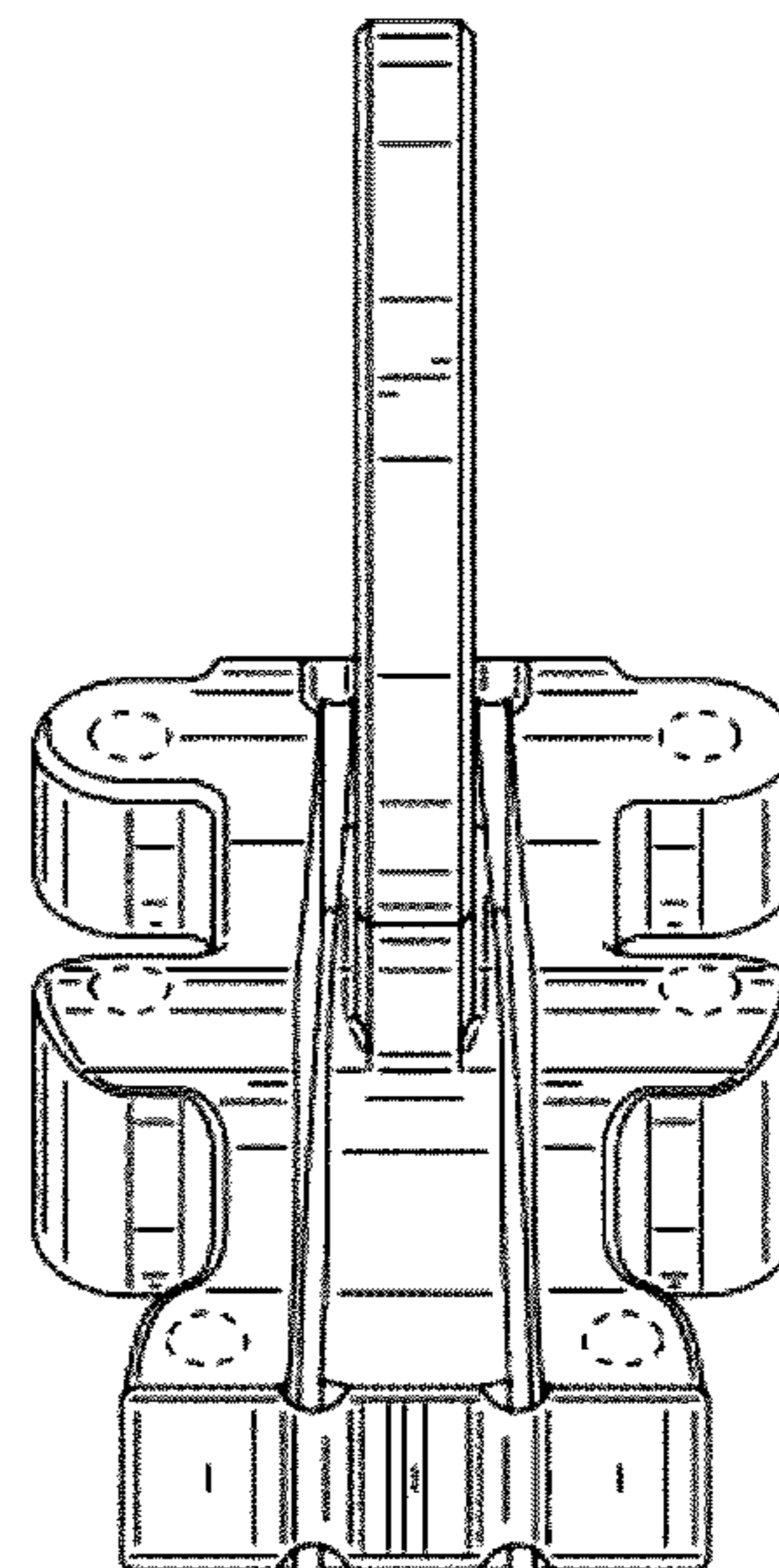
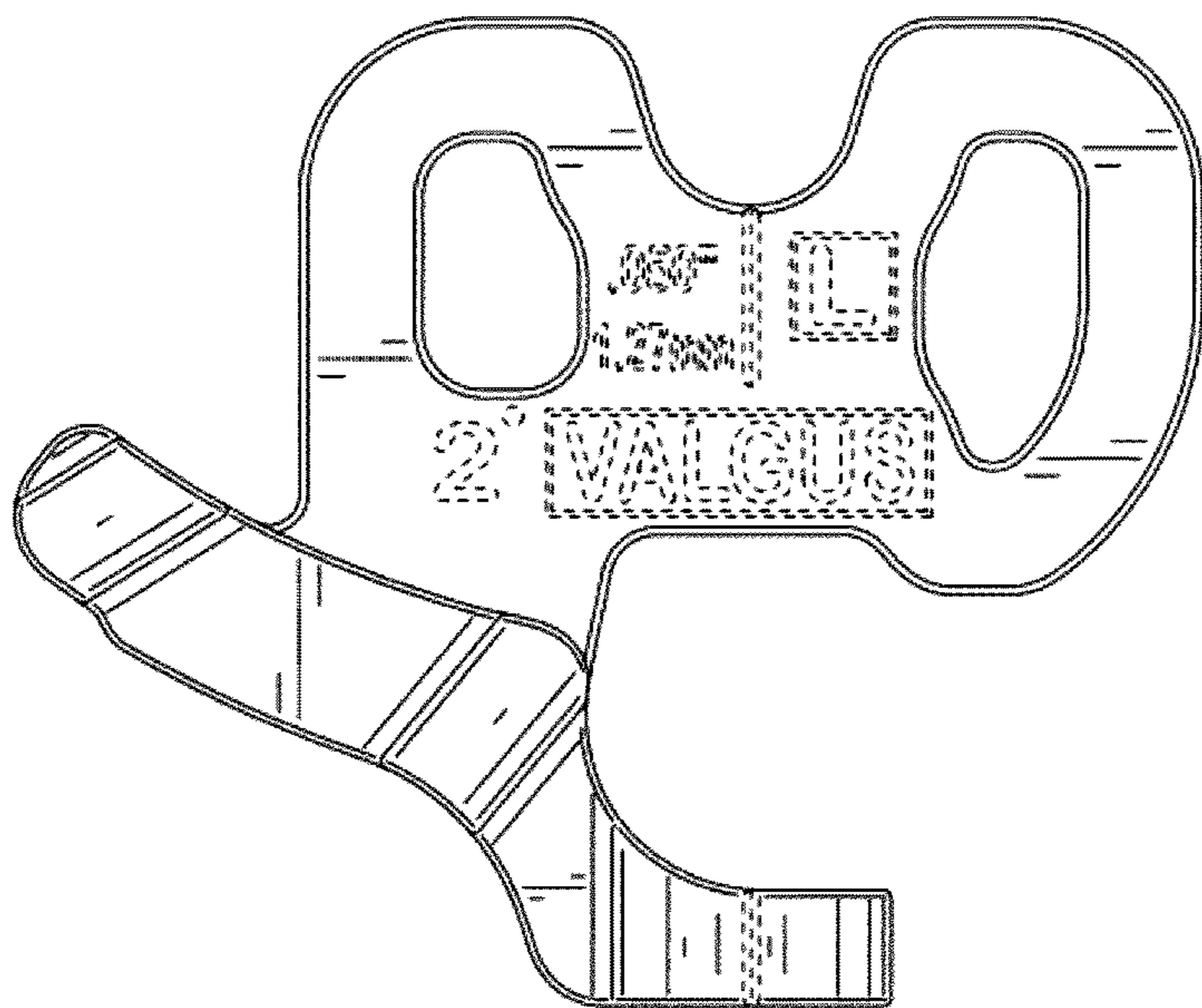
FIG. 12 is a right side elevation view thereof;

FIG. 13 is a rear end elevation view thereof; and,

FIG. 14 is a front end elevation thereof.

The broken line showing of holes and surface indicia is for the purpose of illustrating unclaimed subject matter that forms no part of the claimed design.

**1 Claim, 10 Drawing Sheets**



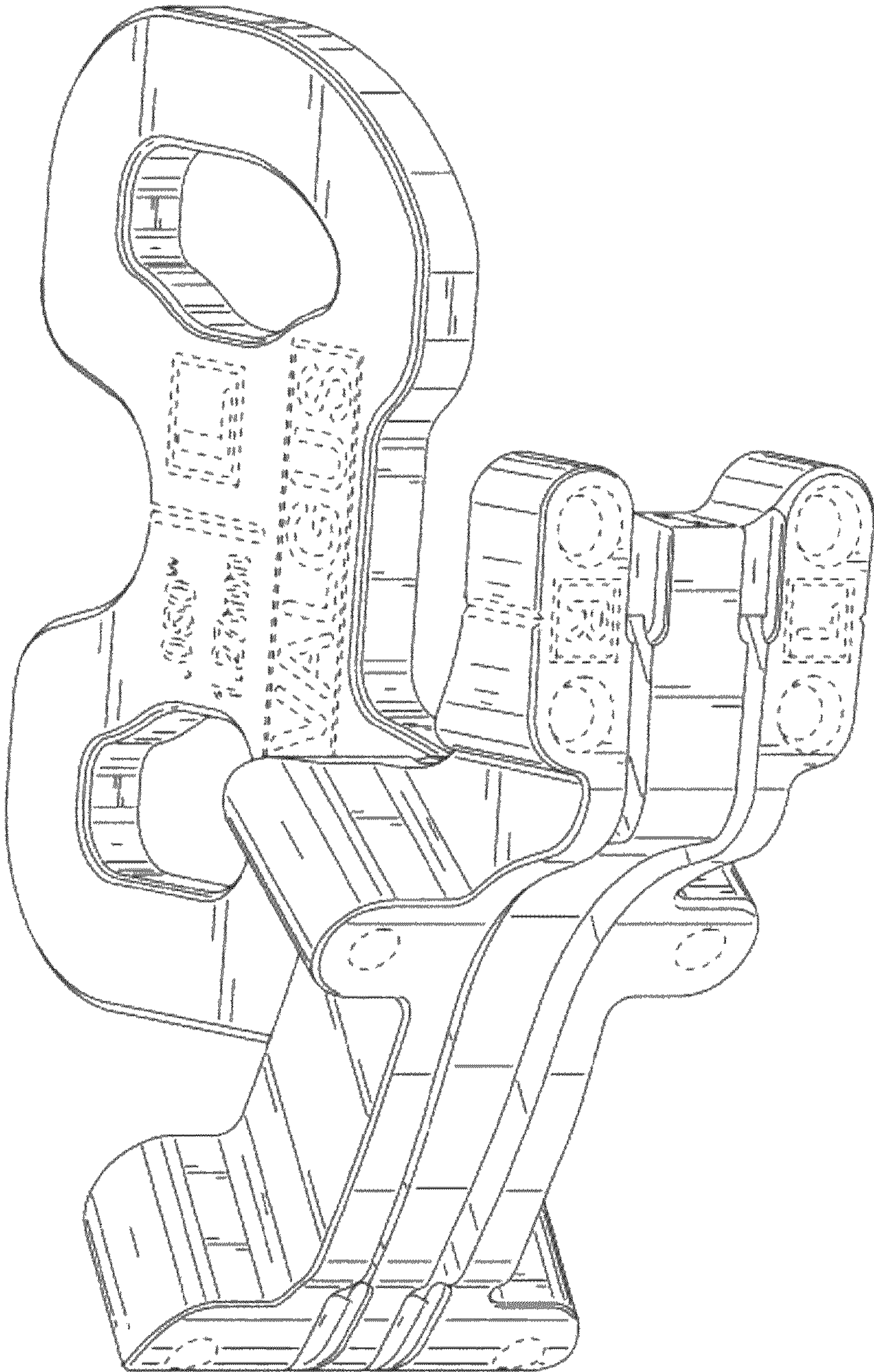


FIG. 1

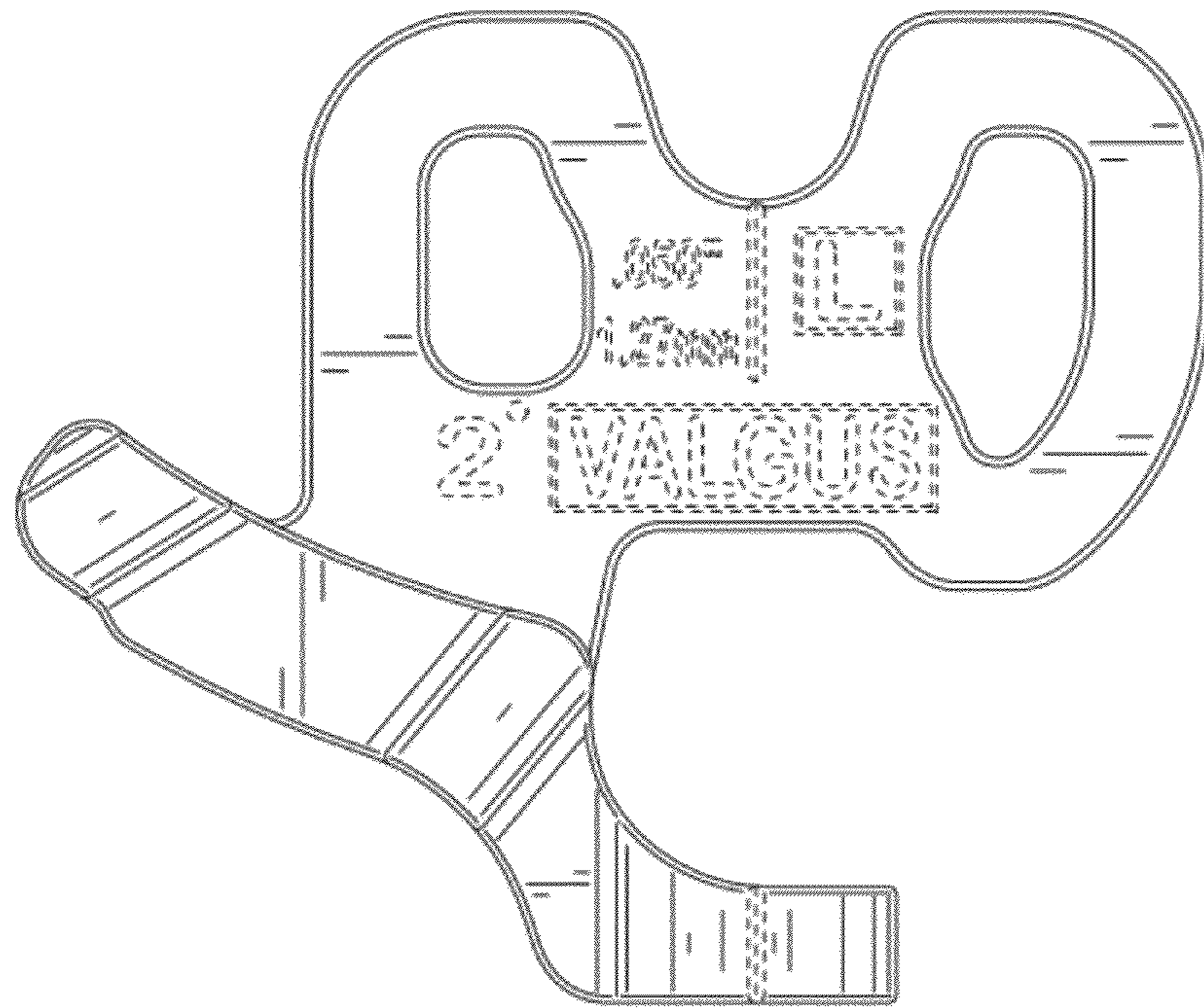


FIG. 2

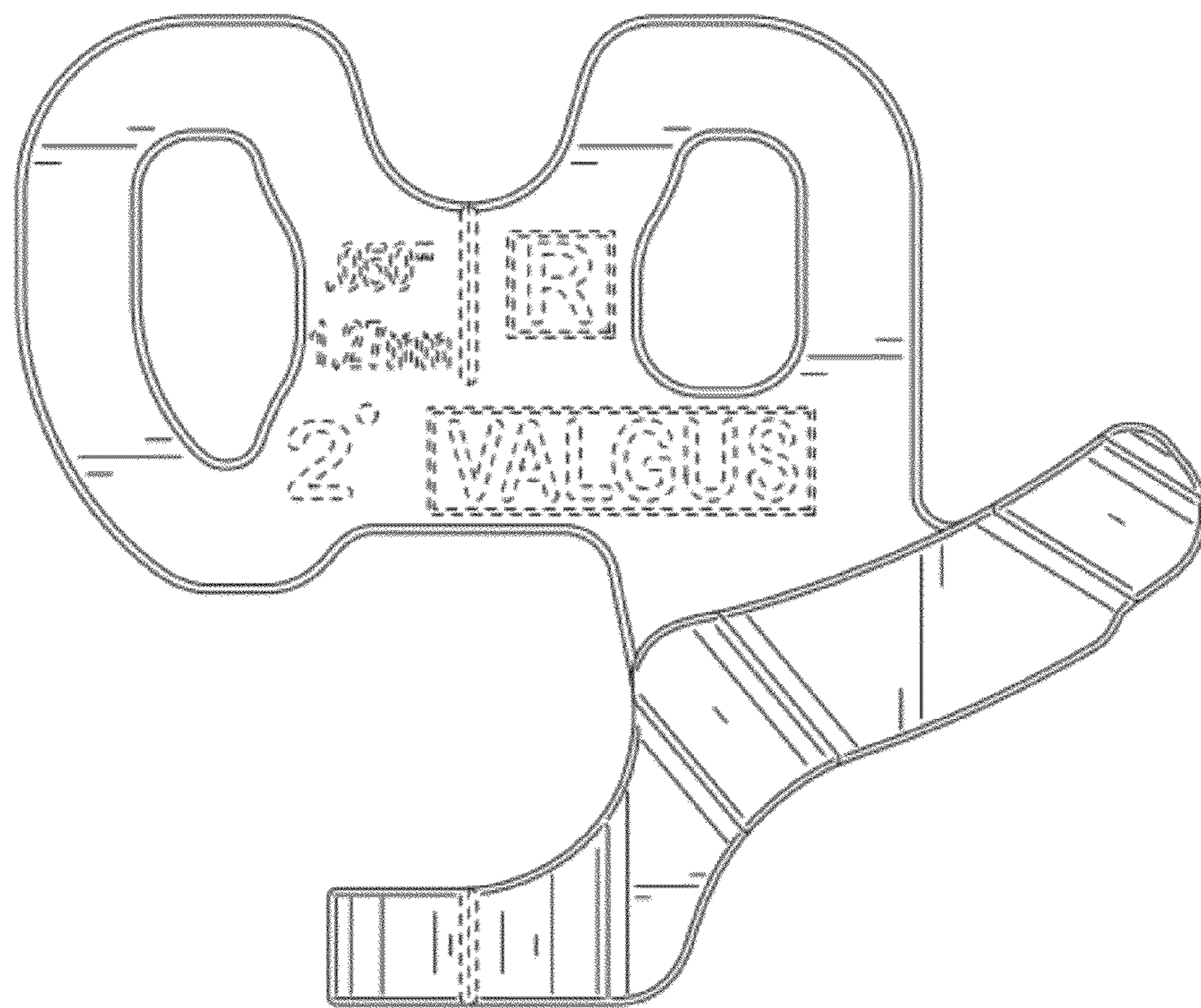


FIG. 3

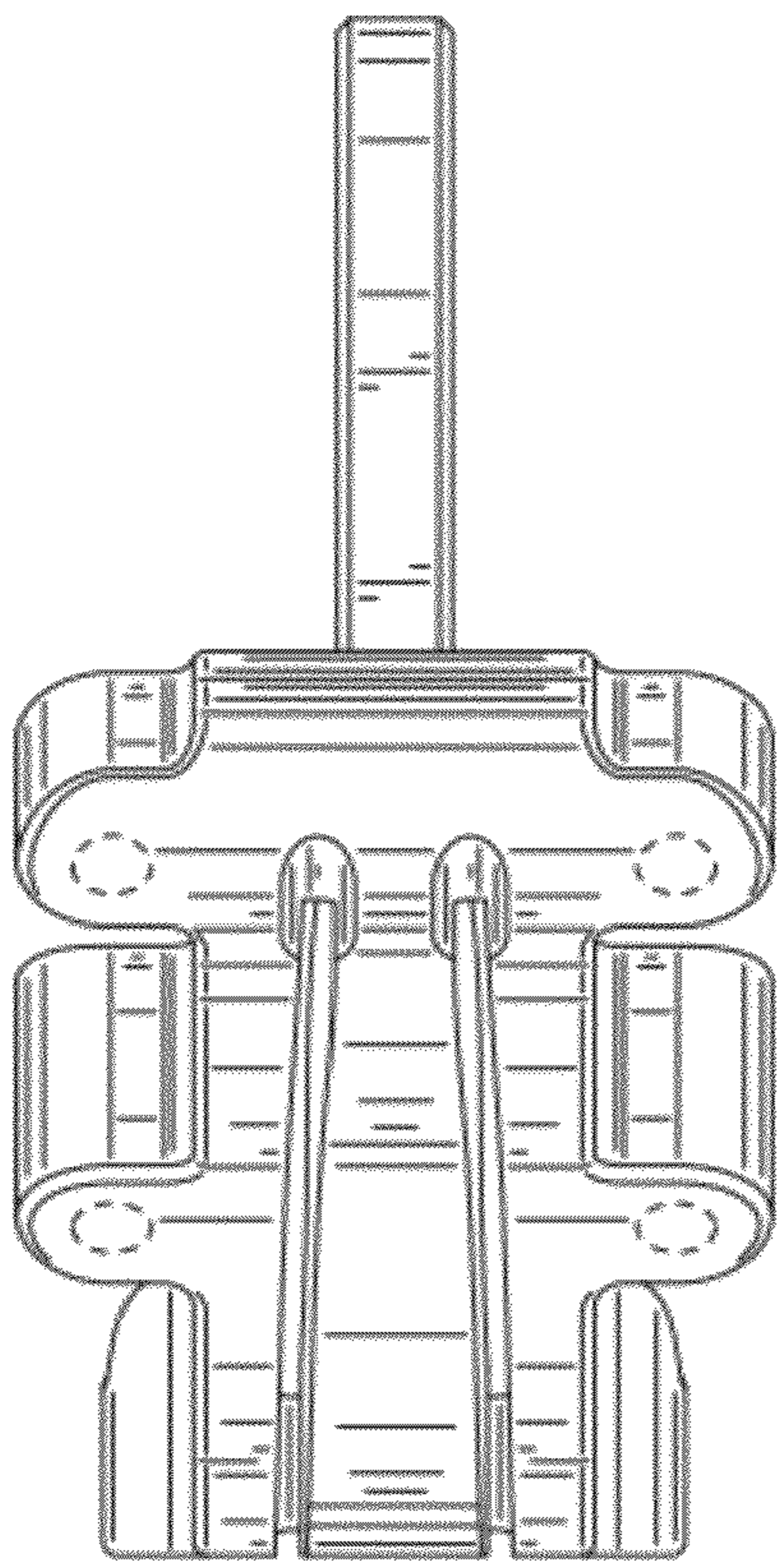


FIG. 4

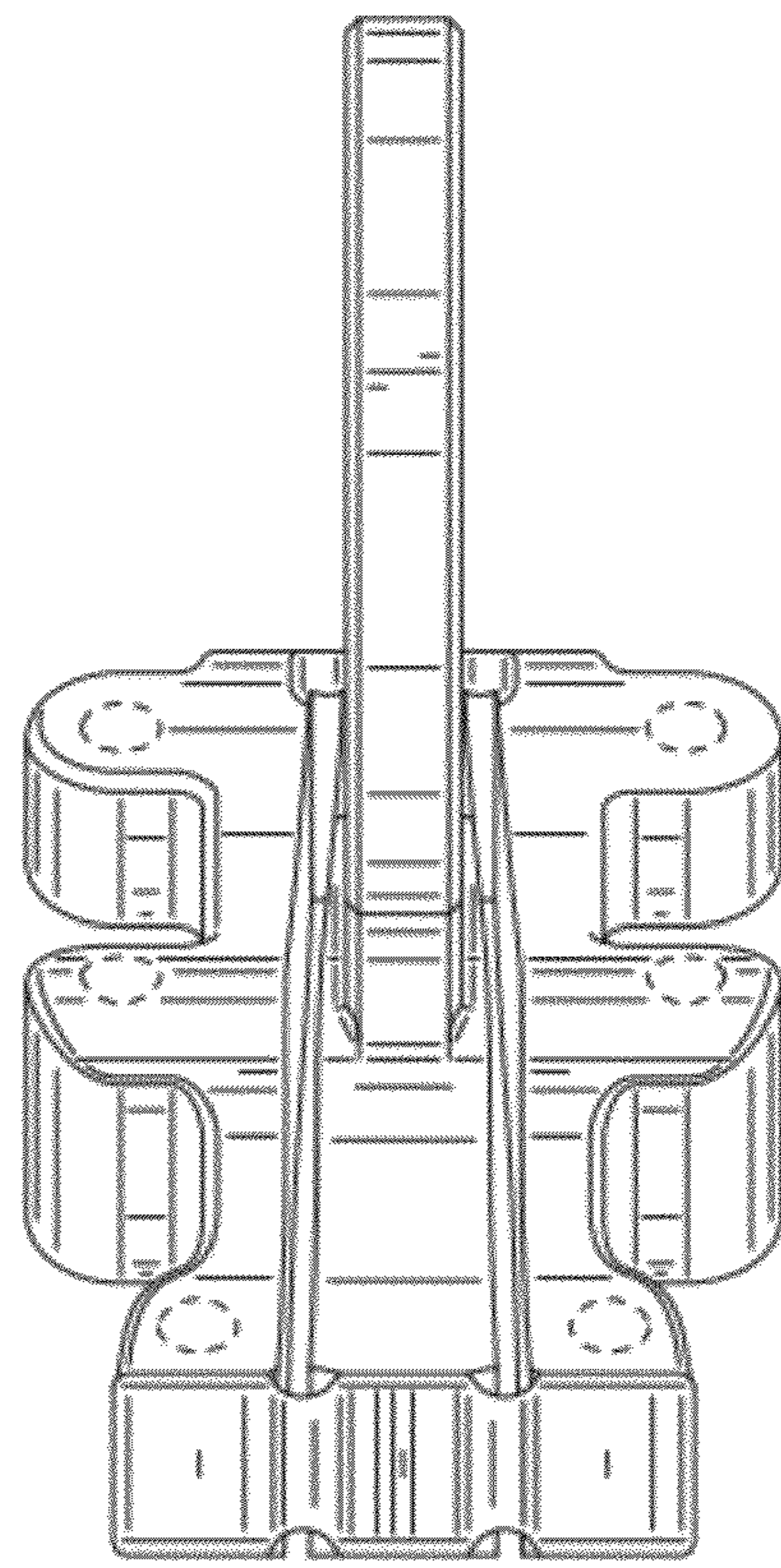


FIG. 5

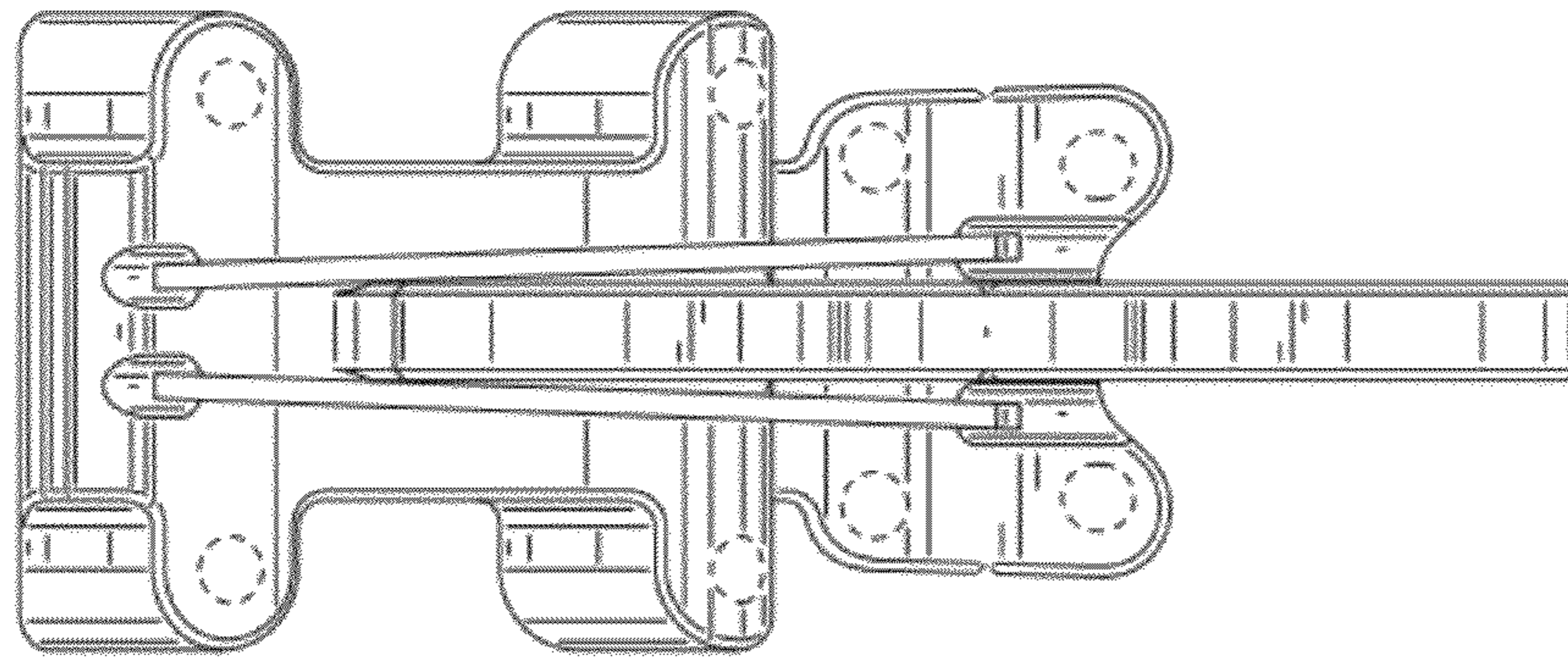


FIG. 6

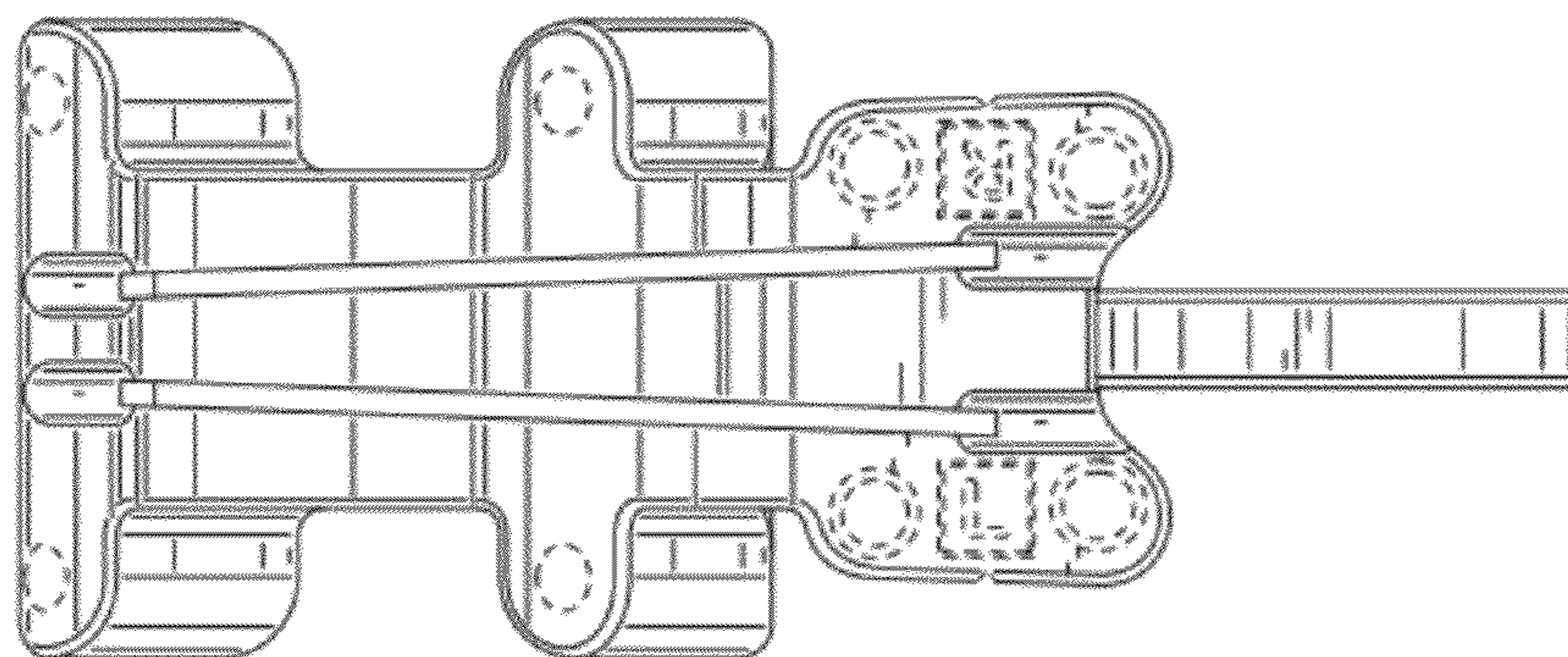


FIG. 7

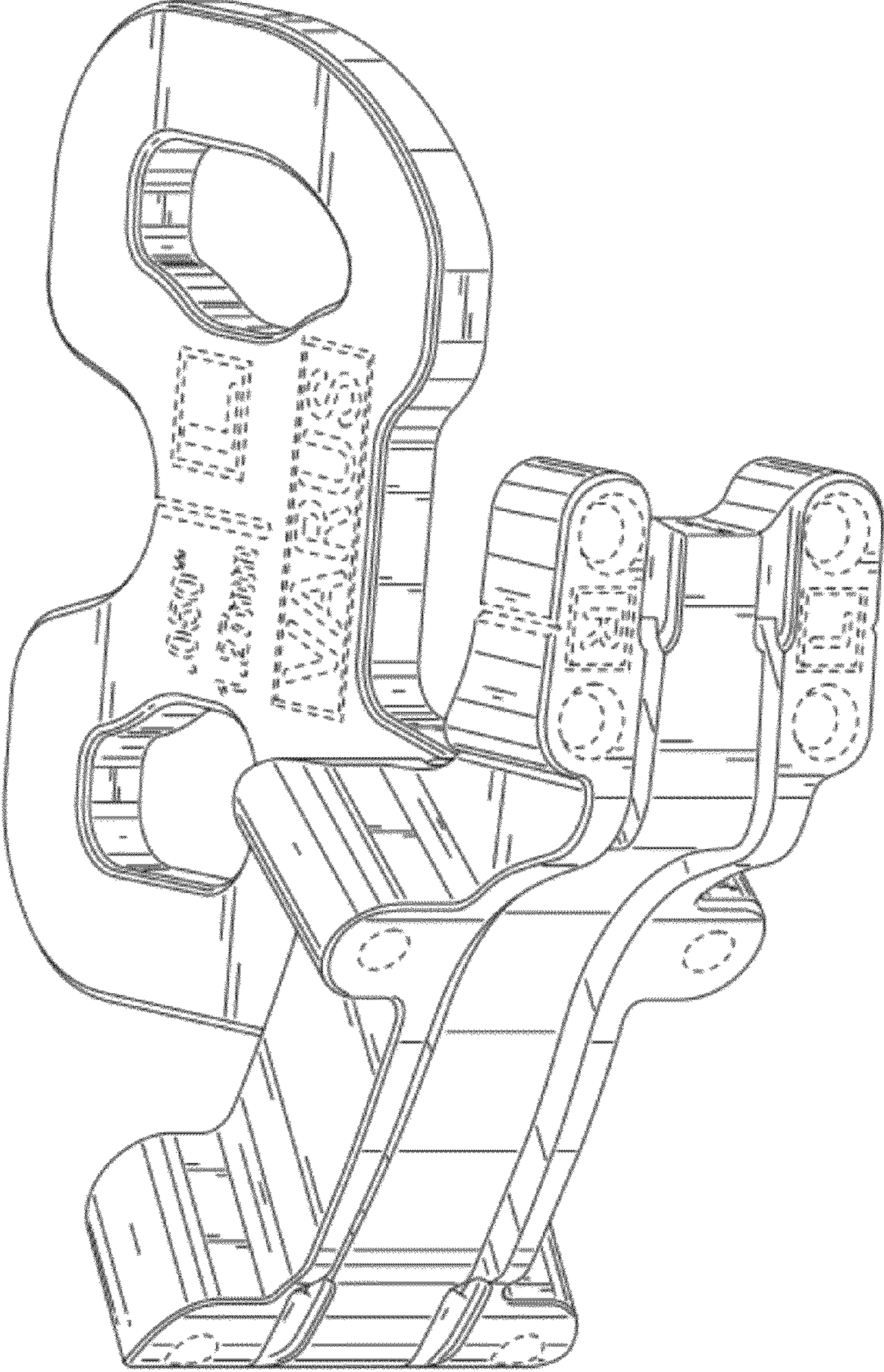


FIG. 8

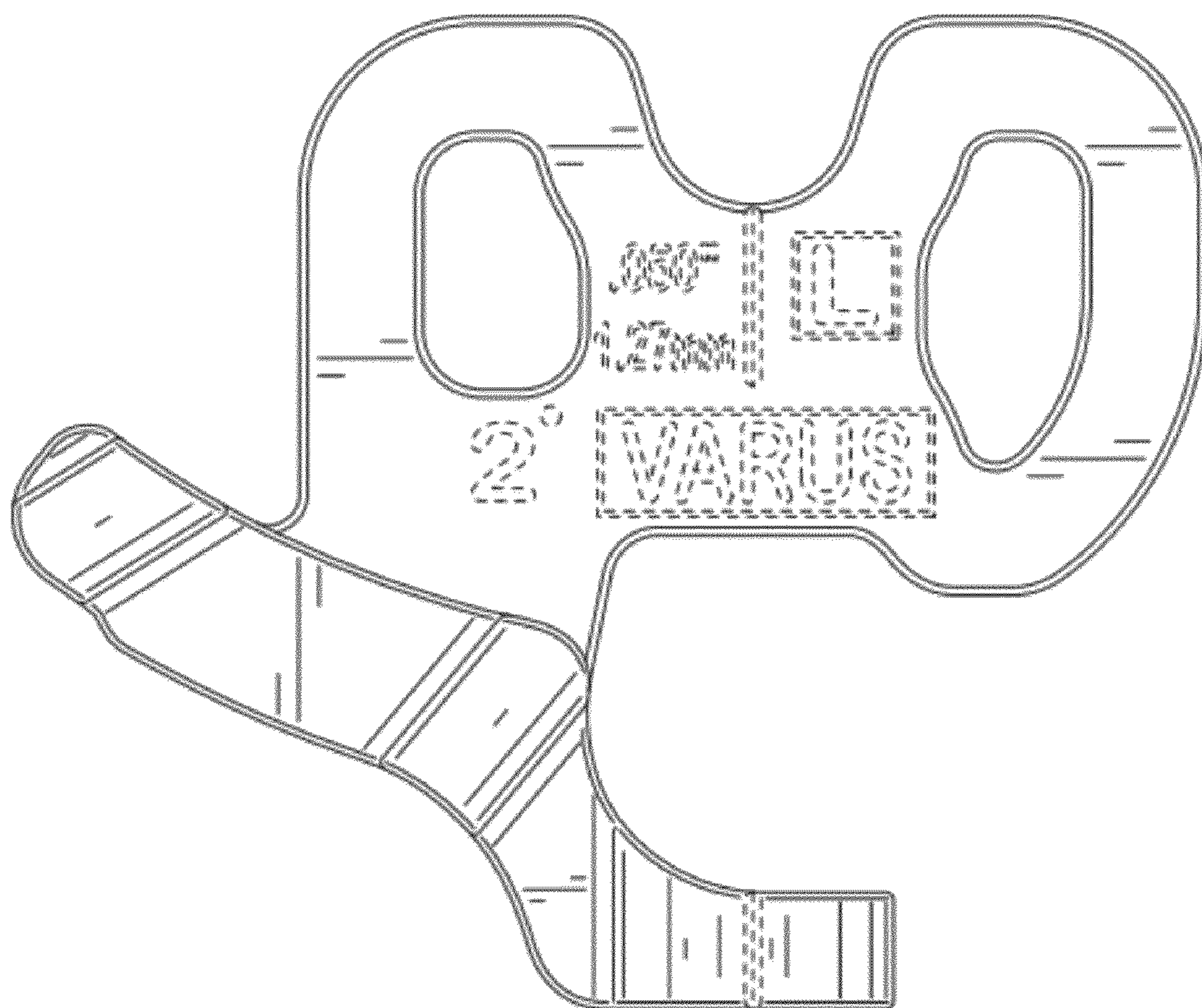


FIG. 9



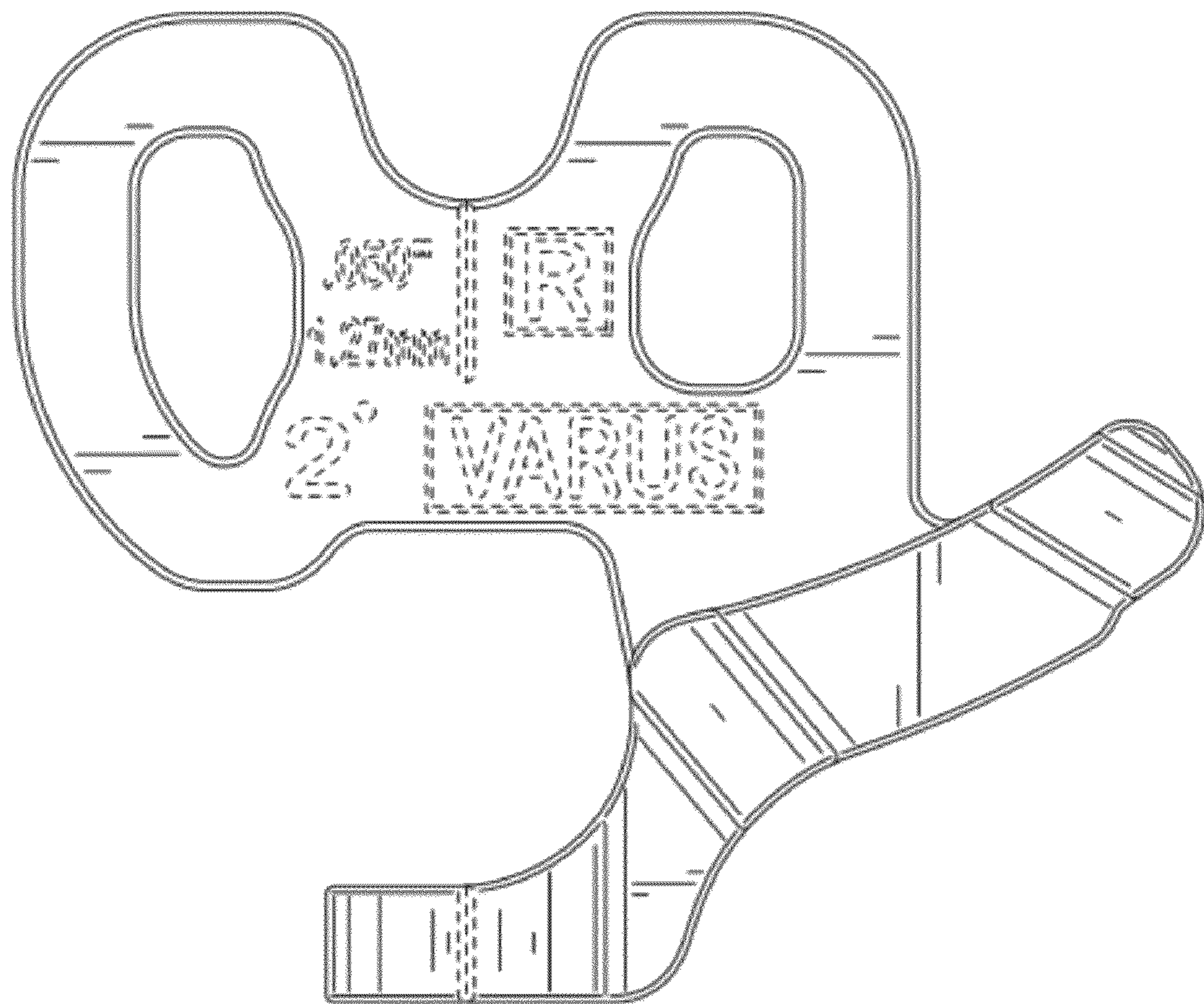


FIG. 10

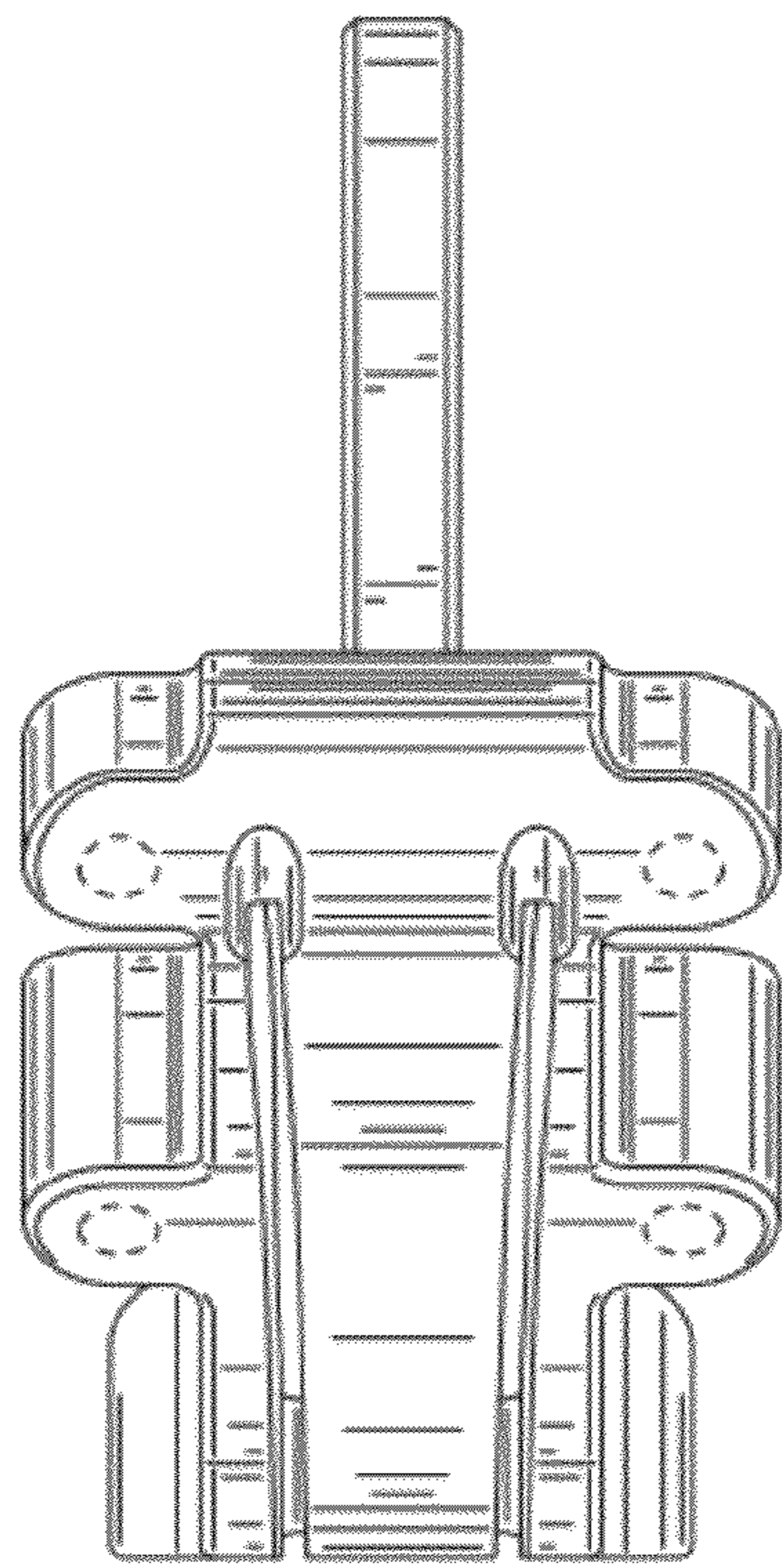


FIG. 11

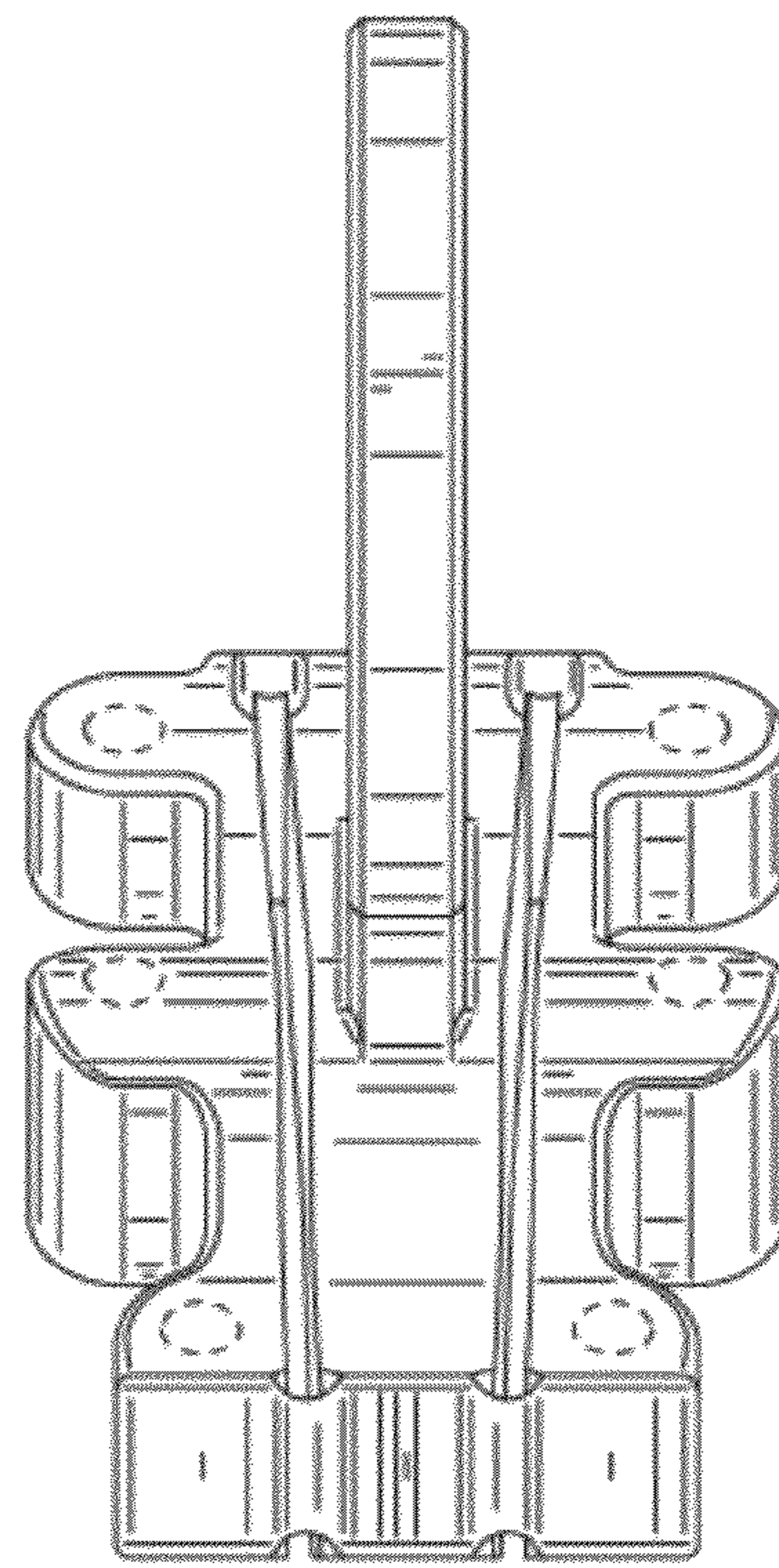


FIG. 12

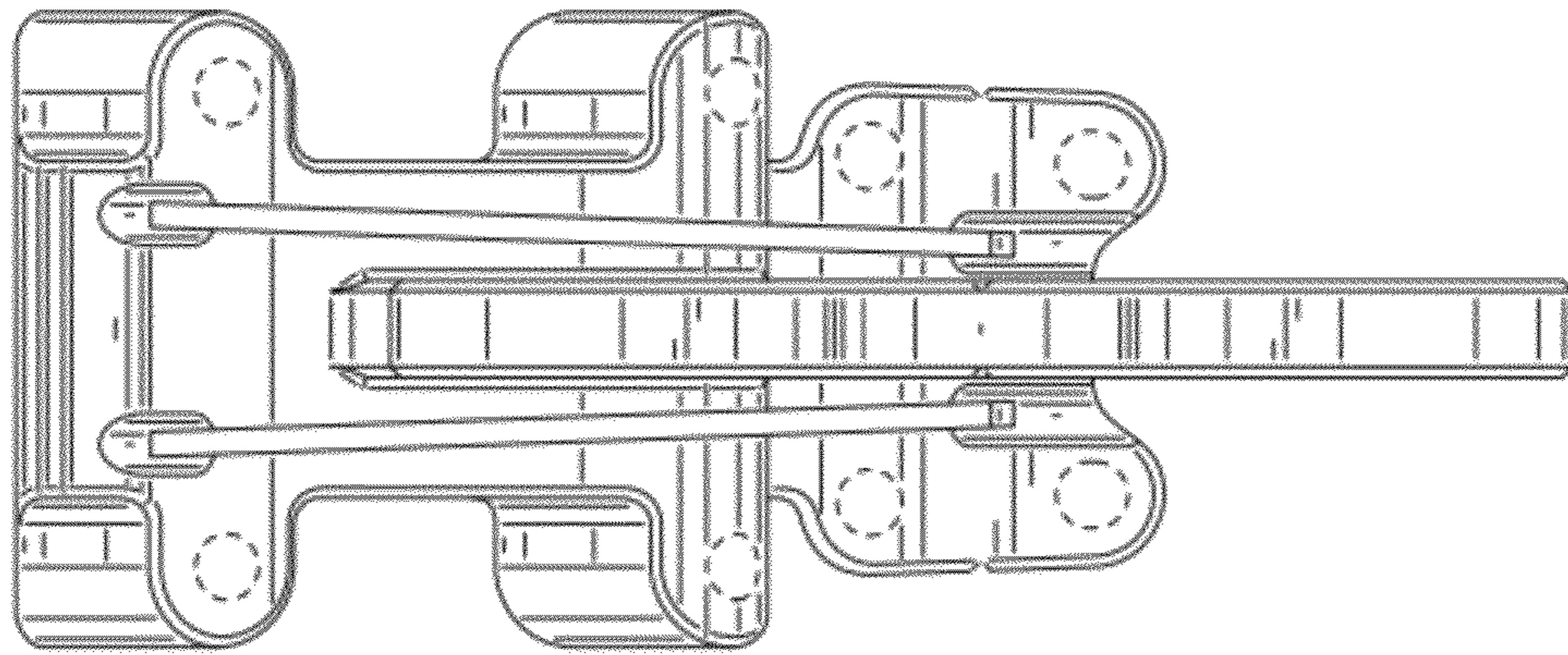


FIG. 13

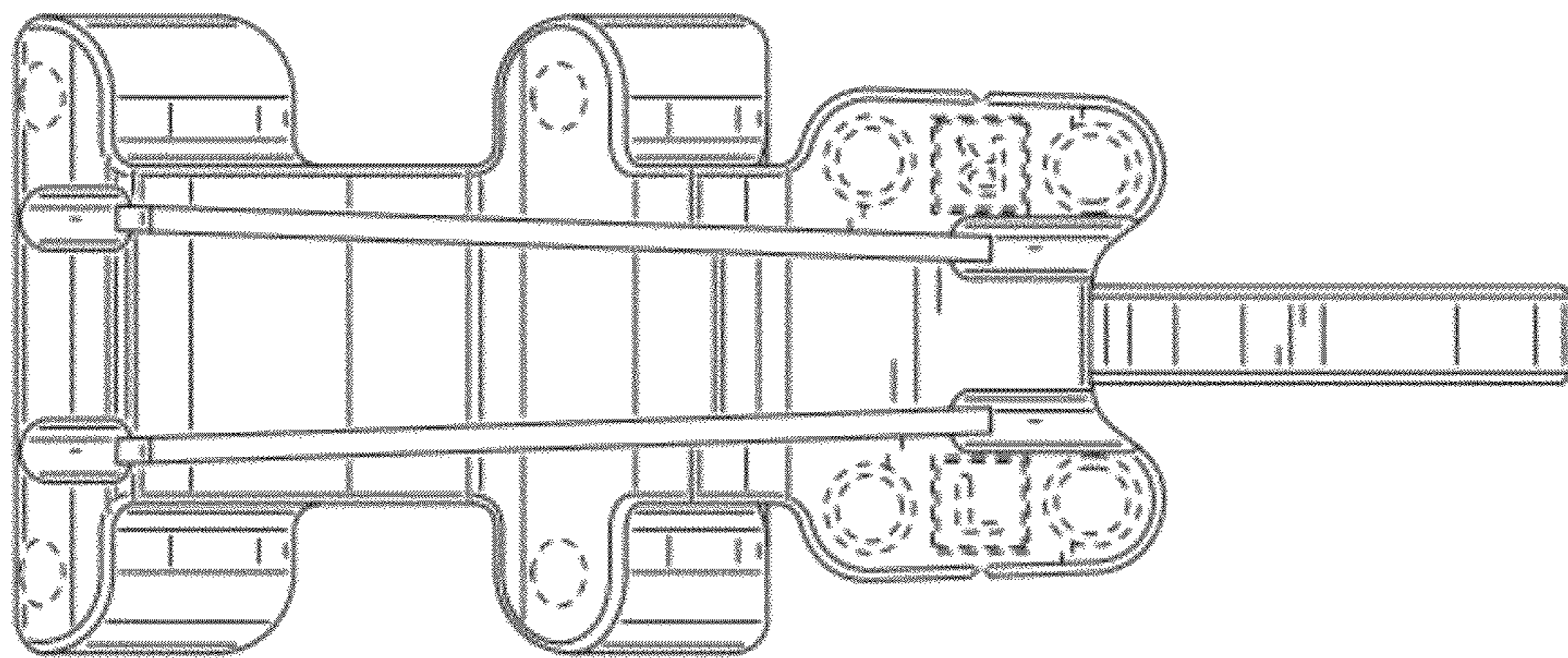


FIG. 14