



US00D660960S

(12) **United States Design Patent**
Grönberg

(10) **Patent No.:** **US D660,960 S**

(45) **Date of Patent:** **** *May 29, 2012**

(54) **RIGID PARTS OF AN ANASTOMOSIS
DEVICE**

(75) Inventor: **Anders Grönberg**, Halmstad (SE)

(73) Assignee: **Carponovum AB**, Lund (SE)

(*) Notice: This patent is subject to a terminal disclaimer.

(**) Term: **14 Years**

(21) Appl. No.: **29/294,493**

(22) Filed: **Jan. 14, 2008**

(30) **Foreign Application Priority Data**

Jul. 13, 2007 (EM) 000757489

(51) **LOC (9) Cl.** **24-02**

(52) **U.S. Cl.** **D24/129; D24/145**

(58) **Field of Classification Search** D24/129,
D24/145, 127, 128, 231, 133; D8/40, 80,
D8/394-396; D23/233, 235, 249, 259-269;
137/516.13, 516.27; 277/602, 608, 625-626;
285/105; 604/338-339; 606/8, 153-154,
606/155-157

See application file for complete search history.

(56) **References Cited**

U.S. PATENT DOCUMENTS

1,470,707	A *	10/1923	Bates	606/154
2,428,918	A *	10/1947	Miller	606/154
2,453,056	A *	11/1948	Zack	606/153
D196,723	S *	10/1963	Davis, Jr.	D24/129
D196,724	S *	10/1963	Davis, Jr.	D24/129
3,384,392	A *	5/1968	Gilchrist	285/105
4,182,339	A *	1/1980	Hardy, Jr.	606/154
4,657,019	A *	4/1987	Walsh et al.	606/153

4,930,502	A *	6/1990	Chen	606/150
D323,213	S *	1/1992	Iacone	D24/129
D331,971	S *	12/1992	Main	D24/145
5,250,057	A *	10/1993	Chen	606/153
D345,795	S *	4/1994	Green et al.	D24/145
D359,352	S *	6/1995	van der Valk	D24/105
6,248,117	B1 *	6/2001	Blatter	606/153
6,740,101	B2 *	5/2004	Houser et al.	606/153
7,220,268	B2 *	5/2007	Blatter	606/153
D558,310	S *	12/2007	Quesada	D23/269
7,793,813	B2 *	9/2010	Bettuchi	227/179.1
2004/0172041	A1 *	9/2004	Gresham et al.	606/108
2009/0076532	A1 *	3/2009	Rebuffat et al.	606/153
2009/0105734	A1 *	4/2009	Gronberg et al.	606/153
2009/0138030	A1 *	5/2009	Gronberg	606/153

FOREIGN PATENT DOCUMENTS

JP	D1350129	*	2/2009
KR	300518153	*	1/2009

OTHER PUBLICATIONS

Google Image Result for http://en.gcimg.net/product/day_20100126/s_145287c12505d15b8569a3031eea0ee4.jpg. 1 page. Viewed Dec. 27, 2010.*

* cited by examiner

Primary Examiner — Wan Laymon

(74) *Attorney, Agent, or Firm* — Capitol City TechLaw

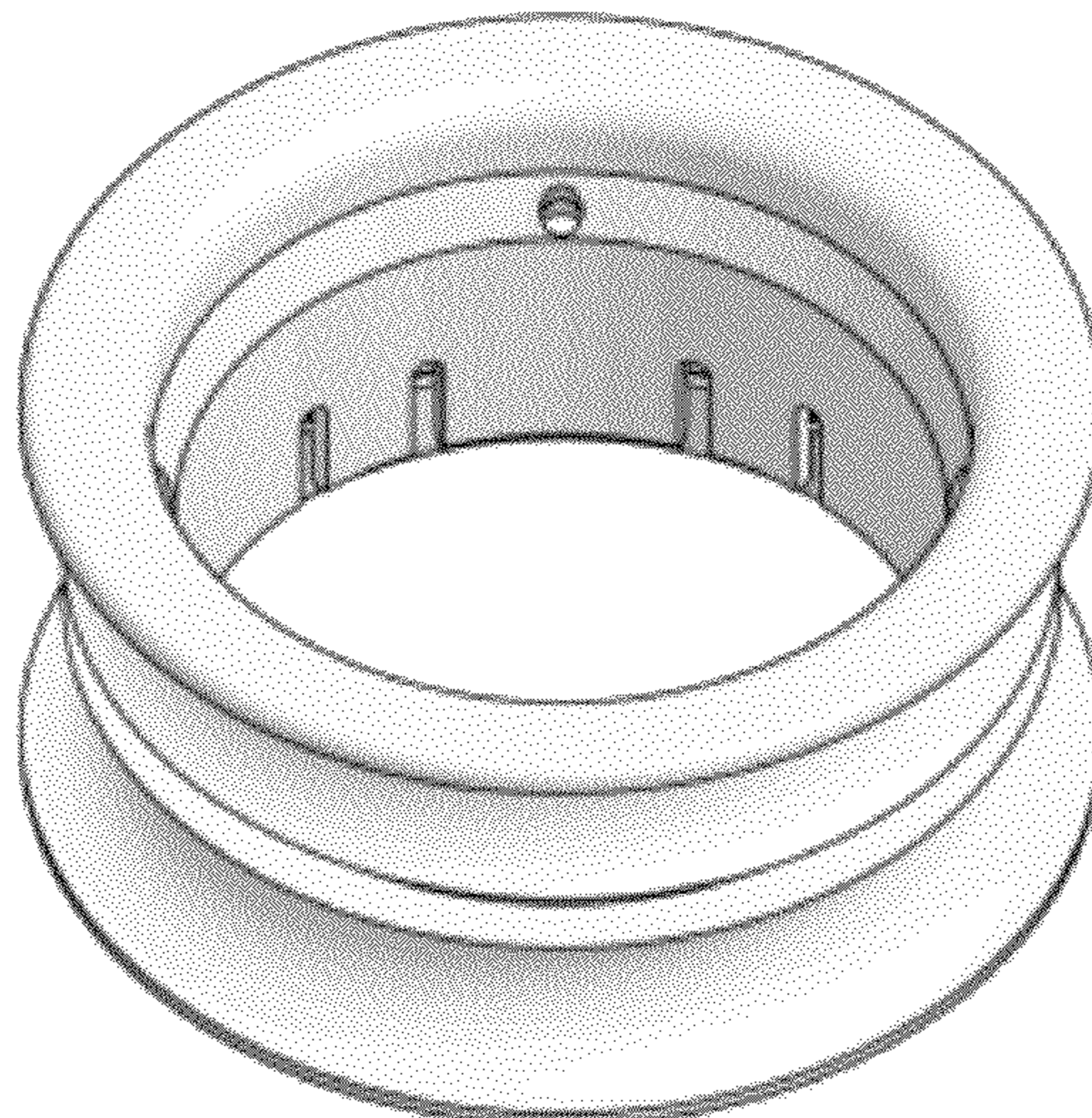
(57) **CLAIM**

I claim the ornamental design for rigid parts of an anastomosis device, as shown and described.

DESCRIPTION

FIG. 1 is a top view of rigid parts of an anastomosis device connected to each other showing my design; FIG. 2 is a side view thereof; FIG. 3 is a perspective view thereof; and, FIG. 4 is a bottom view thereof.

1 Claim, 1 Drawing Sheet



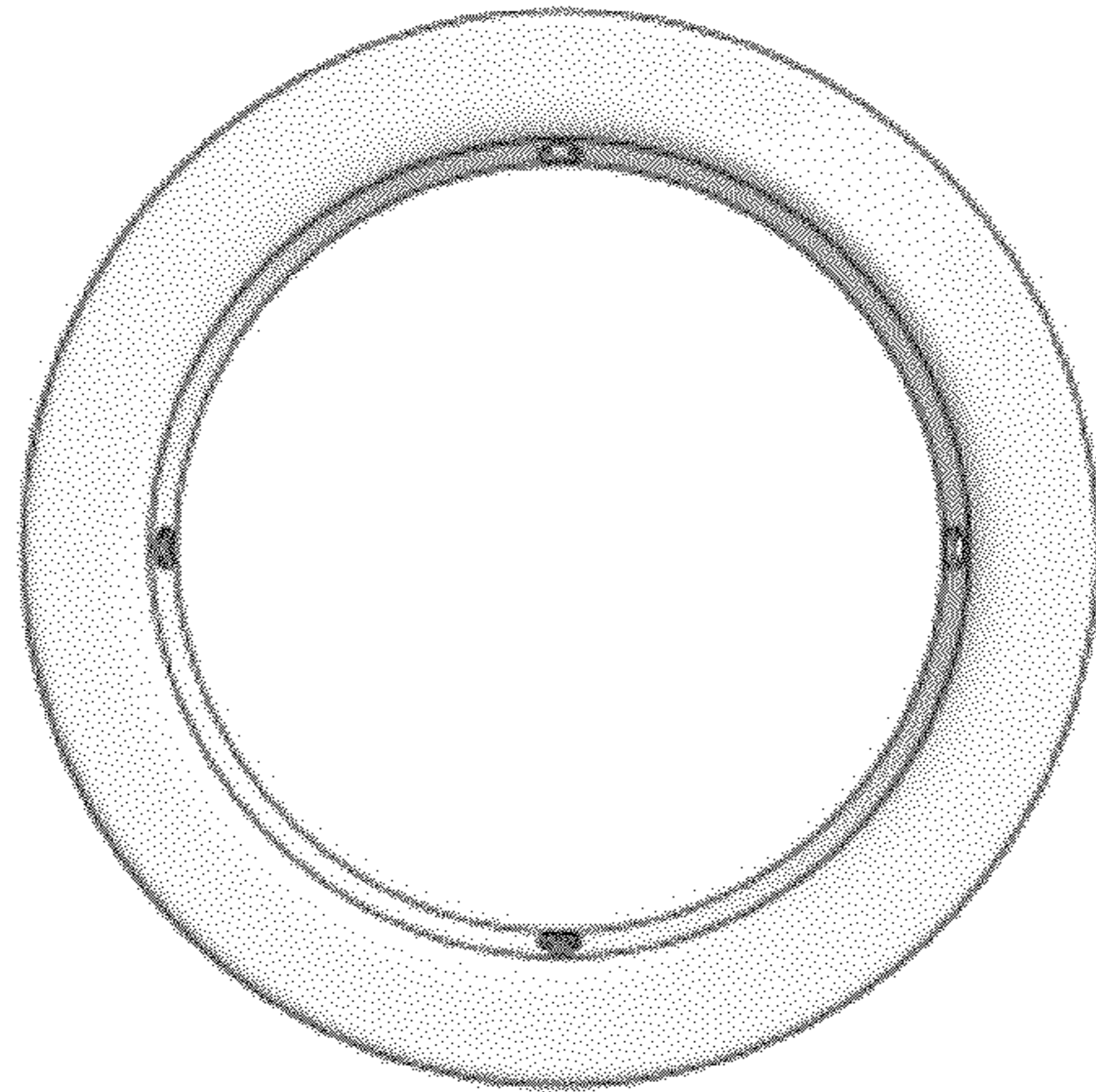


Fig. 1

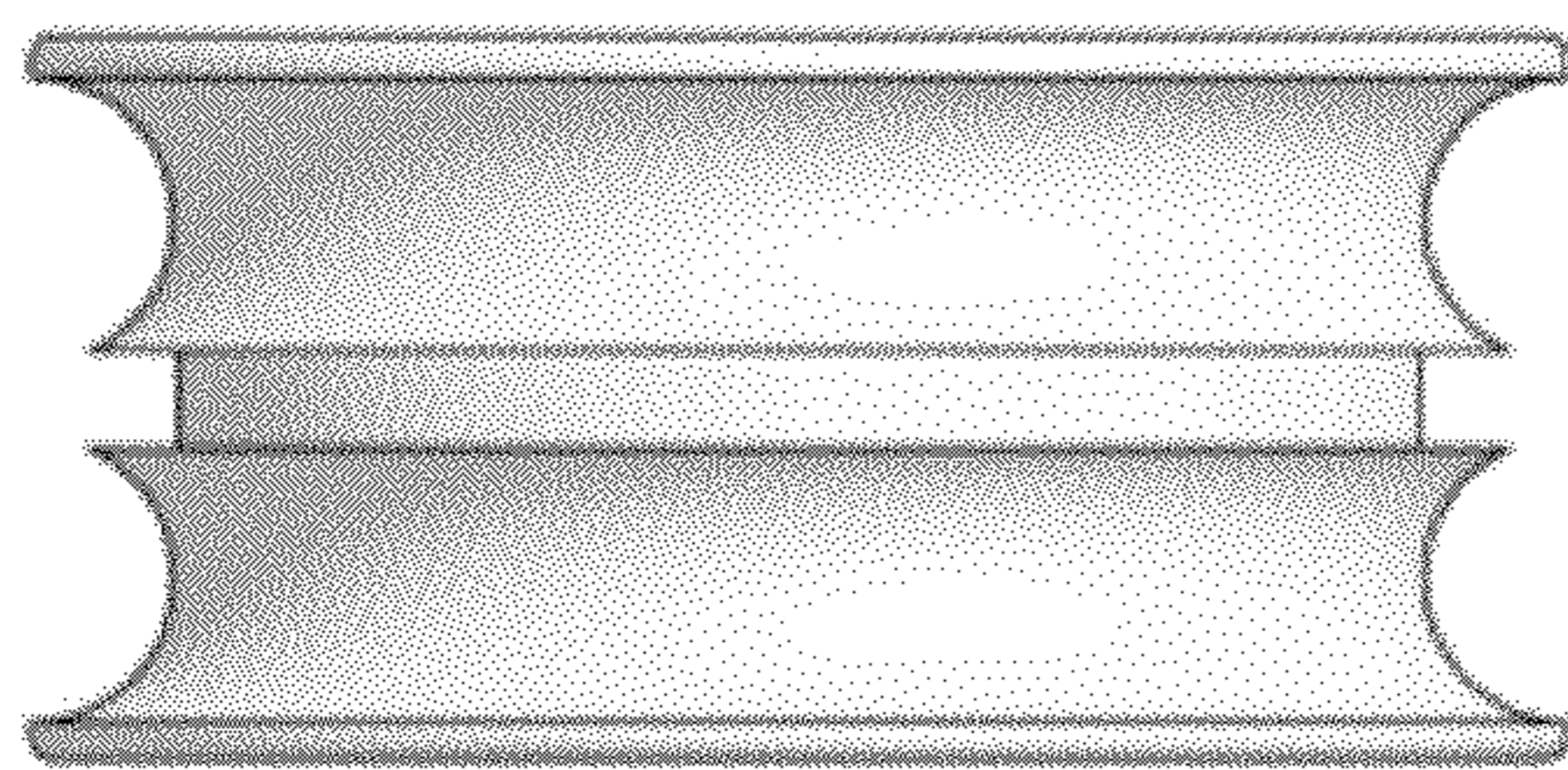


Fig. 2

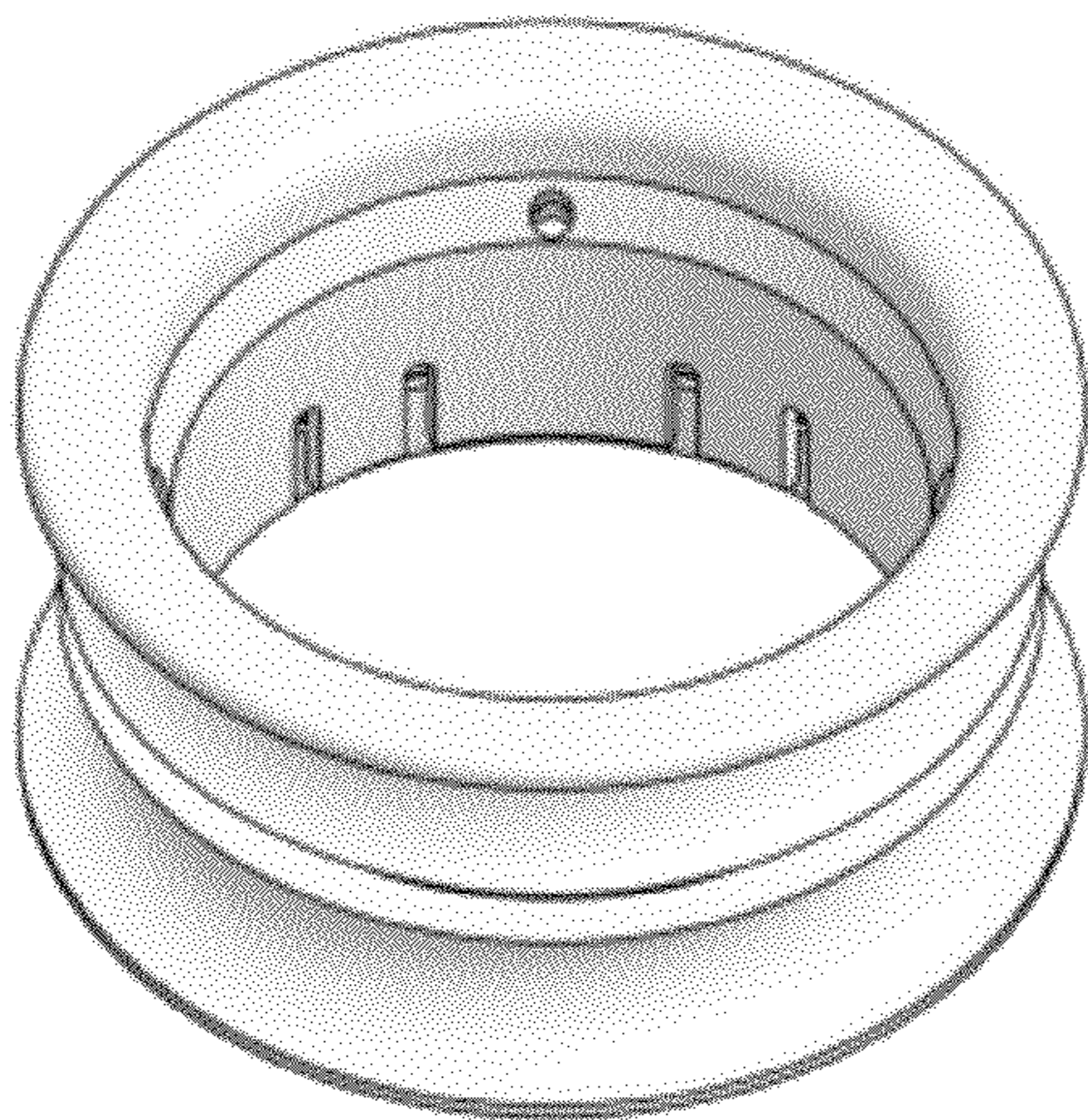


Fig. 3

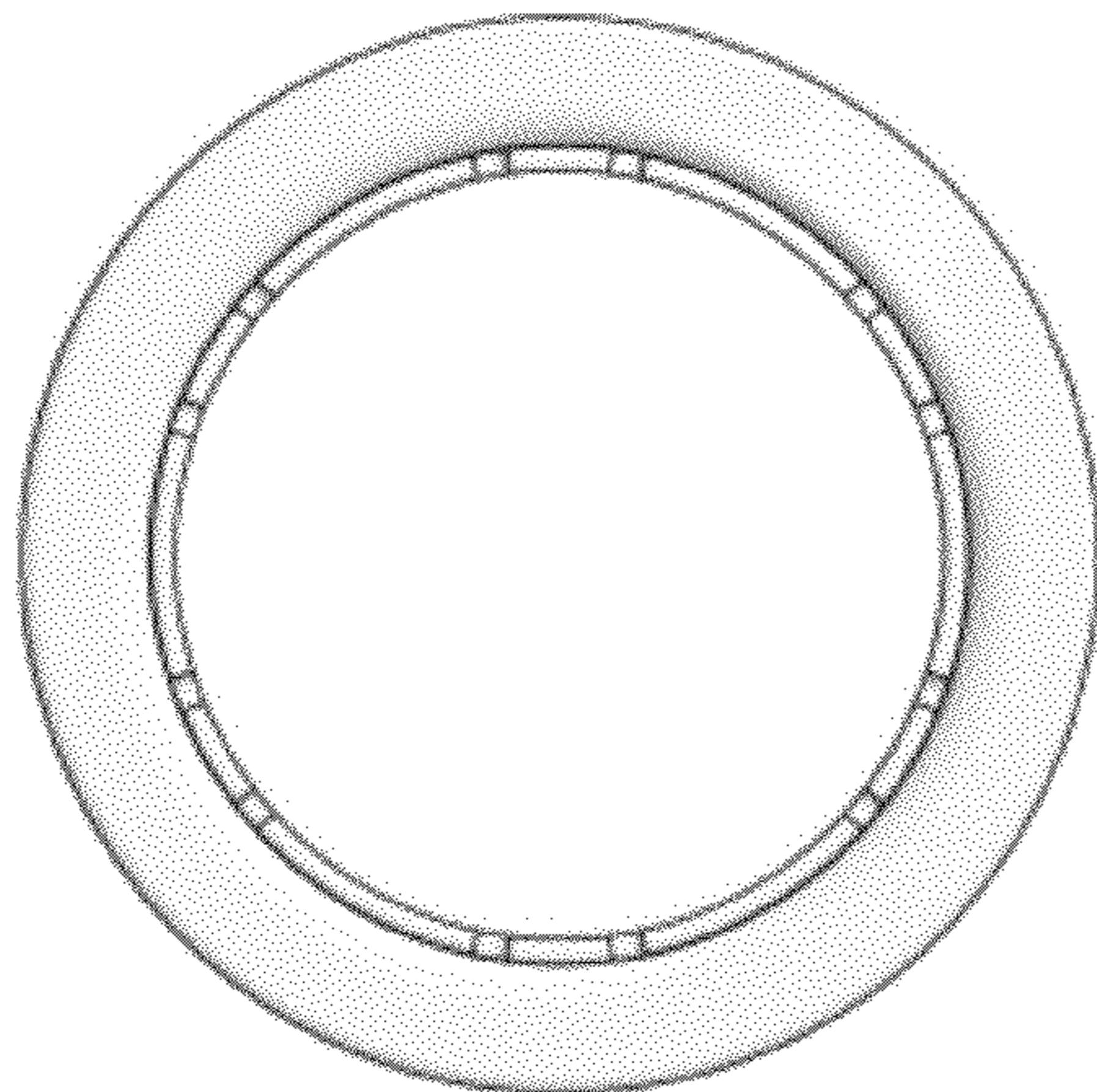


Fig. 4