



US00D660958S

(12) **United States Design Patent**
McLoughlin et al.

(10) **Patent No.:** **US D660,958 S**

(45) **Date of Patent:** **** May 29, 2012**

(54) **DEVICE FOR ADMINISTERING MEDICATION**

(75) Inventors: **Martin John McLoughlin**, Hemel Hempstead (GB); **Alex Lee**, New York, NY (US); **Dan Formosa**, Piermont, NY (US); **Steven Vordenberg**, Amherst, NH (US); **Joern Vicari**, Brooklyn, NY (US); **Eric Freitag**, New York, NY (US); **Boris Kontorvich**, Brooklyn, NY (US)

(73) Assignee: **UCB Pharma, S.A.**, Brussels (BE)

(**) Term: **14 Years**

(21) Appl. No.: **29/340,497**

(22) Filed: **Jul. 20, 2009**

(51) **LOC (9) Cl.** **24-02**

(52) **U.S. Cl.** **D24/113**

(58) **Field of Classification Search** D24/112-114, D24/133, 186, 104, 130, 127, 176, 110, 110.5; 606/181, 185; 604/232, 187, 158, 164.08, 604/192, 263, 163, 181, 184, 198, 227; 128/859, 128/848, 207.14, 207.15
See application file for complete search history.

(56) **References Cited**

U.S. PATENT DOCUMENTS

2,799,272 A 7/1957 Peach
4,248,246 A 2/1981 Ikeda

(Continued)

FOREIGN PATENT DOCUMENTS

DE 60112770 3/2006

(Continued)

Primary Examiner — David Muller

(74) *Attorney, Agent, or Firm* — Ropes & Gray LLP

(57) **CLAIM**

The ornamental design for a device for administering medication, as shown and described.

DESCRIPTION

FIG. 1 is a perspective view of a device for administering medication.

FIG. 2 is a top view of a device for administering medication.

FIG. 3 is a left side elevational view of a device for administering medication.

FIG. 4 is a front elevational view of a device for administering medication.

FIG. 5 is a right side elevational view of a device for administering medication.

FIG. 6 is a back view of a device for administering medication.

FIG. 7 is a bottom view of a device for administering medication.

FIGS. 8-10 are exploded views of a needle cap disengaging from a lower handle of the device for administering medication as shown in FIG. 1.

FIG. 11 is a perspective view of a needle cap.

FIG. 12 is a perspective view of a needle cap.

FIG. 13 is a top view of a needle cap.

FIG. 14 is a left side elevational view of a needle cap.

FIG. 15 is a front elevational view of a needle cap.

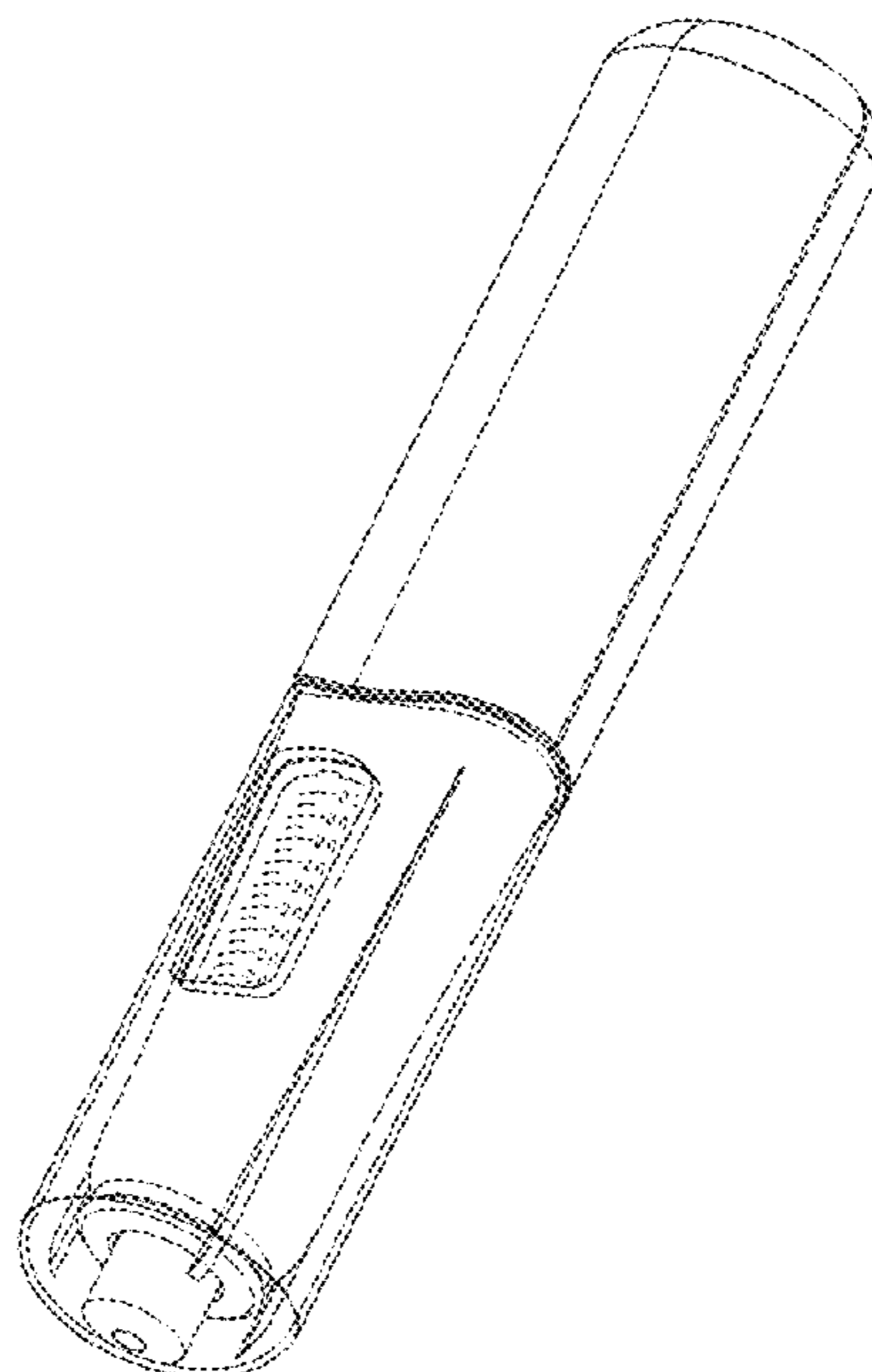
FIG. 16 is a right side elevational view of a needle cap.

FIG. 17 is a back elevational view of a needle cap; and,

FIG. 18 is a bottom view of a needle cap.

The dashed lines immediately adjacent to the claimed areas in FIGS. 9 and 10 represent the boundaries of the claimed design, and form no part of the claimed design.

1 Claim, 7 Drawing Sheets



US D660,958 S

Page 2

U.S. PATENT DOCUMENTS

4,365,626	A	12/1982	House	
4,474,734	A	10/1984	Cooper	
4,490,142	A	12/1984	Silvern	
4,636,201	A	1/1987	Ambrose et al.	
4,728,320	A	3/1988	Chen	
4,767,413	A	8/1988	Haber et al.	
4,863,433	A	9/1989	Payne et al.	
4,892,525	A	1/1990	Hermann, Jr. et al.	
4,919,657	A	4/1990	Haber et al.	
4,964,866	A	10/1990	Szwarc	
4,985,020	A	1/1991	Kasuya	
4,986,818	A	1/1991	Imbert et al.	
5,013,299	A	5/1991	Clark	
5,067,944	A	11/1991	Nichols	
5,098,400	A	3/1992	Crouse et al.	
5,108,378	A	4/1992	Firth et al.	
5,135,514	A	8/1992	Kimber	
5,250,037	A	10/1993	Bitdinger	
5,279,581	A	1/1994	Firth et al.	
5,322,515	A	6/1994	Karas et al.	
5,324,272	A	6/1994	Smedley et al.	
5,342,309	A	8/1994	Hausser	
5,344,404	A	9/1994	Benson	
5,344,407	A	9/1994	Ryan	
5,344,417	A	9/1994	Wadsworth, Jr.	
5,380,286	A	1/1995	van den Haak	
5,382,241	A	1/1995	Choudhury et al.	
5,385,555	A	1/1995	Hausser	
D355,970	S *	2/1995	Monthony et al.	D24/133
5,433,711	A	7/1995	Balaban et al.	
5,437,639	A	8/1995	Malencheck	
5,478,316	A	12/1995	Bitdinger et al.	
5,533,980	A	7/1996	Sweeney et al.	
5,624,400	A	4/1997	Firth et al.	
5,624,405	A	4/1997	Futagawa et al.	
5,634,906	A	6/1997	Haber et al.	
5,647,849	A	7/1997	Kalin	
5,658,254	A	8/1997	Reichenbach et al.	
5,733,264	A	3/1998	Flowers	
5,746,733	A	5/1998	Capaccio et al.	
D403,761	S *	1/1999	Adams	D24/112
5,858,008	A	1/1999	Capaccio	
5,944,699	A	8/1999	Barrelle et al.	
6,027,482	A	2/2000	Imbert	
6,093,174	A	7/2000	Novinkov	
D429,812	S *	8/2000	Hjertman et al.	D24/114
6,190,364	B1	2/2001	Imbert	
6,193,688	B1	2/2001	Balestracci et al.	
6,196,998	B1	3/2001	Jansen et al.	

6,210,374	B1	4/2001	Malencheck	
6,280,421	B1	8/2001	Kirchhofer et al.	
6,352,522	B1	3/2002	Kim et al.	
6,436,075	B1	8/2002	Liao	
6,491,667	B1	12/2002	Keane et al.	
6,520,935	B1	2/2003	Jansen et al.	
D479,600	S *	9/2003	Bainton	D24/114
6,622,721	B2	9/2003	Vedrine et al.	
6,629,963	B2	10/2003	Prais et al.	
6,632,199	B1	10/2003	Tucker et al.	
6,719,732	B2	4/2004	Courteix	
6,821,268	B2	11/2004	Balestracci	
6,936,034	B2	8/2005	Watkins	
6,966,897	B2	11/2005	Shimazaki	
7,041,087	B2	5/2006	Henderson et al.	
7,044,125	B2	5/2006	Vedrine et al.	
7,094,223	B2	8/2006	Brunel	
D543,273	S *	5/2007	Young et al.	D24/114
7,241,275	B2	7/2007	Alchas et al.	
7,255,689	B2	8/2007	Westbye	
D550,363	S *	9/2007	Hannant et al.	D24/186
7,273,484	B2 *	9/2007	Thoes et al.	606/181
D563,549	S *	3/2008	Mulhauser et al.	D24/113
D574,954	S *	8/2008	Smith	D24/114
D580,052	S *	11/2008	White	D24/133
D598,543	S *	8/2009	Vogel et al.	D24/133
D606,190	S *	12/2009	Pruitt et al.	D24/113
D609,333	S *	2/2010	Holmes	D24/114
2002/0068908	A1	6/2002	Sun	
2003/0181859	A1	9/2003	Brunel	
2004/0199124	A1	10/2004	Conte	
2005/0240160	A1	10/2005	Lin	
2007/0078409	A1	4/2007	Saltz	
2007/0156100	A1	7/2007	Moesli et al.	
2007/0250016	A1	10/2007	Pech et al.	

FOREIGN PATENT DOCUMENTS

EP	1453561	9/2004
GB	2 424 836	10/2006
GB	2 438 590	12/2007
JP	2005512637	5/2005
WO	WO 88/06462	9/1988
WO	WO 00/35519 A1	6/2000
WO	WO 02/11799 A1	2/2002
WO	WO 03/051423 A2	6/2003
WO	WO 2004/096324	11/2004
WO	WO 2005/032627	4/2005
WO	WO-2005/115508	12/2005

* cited by examiner

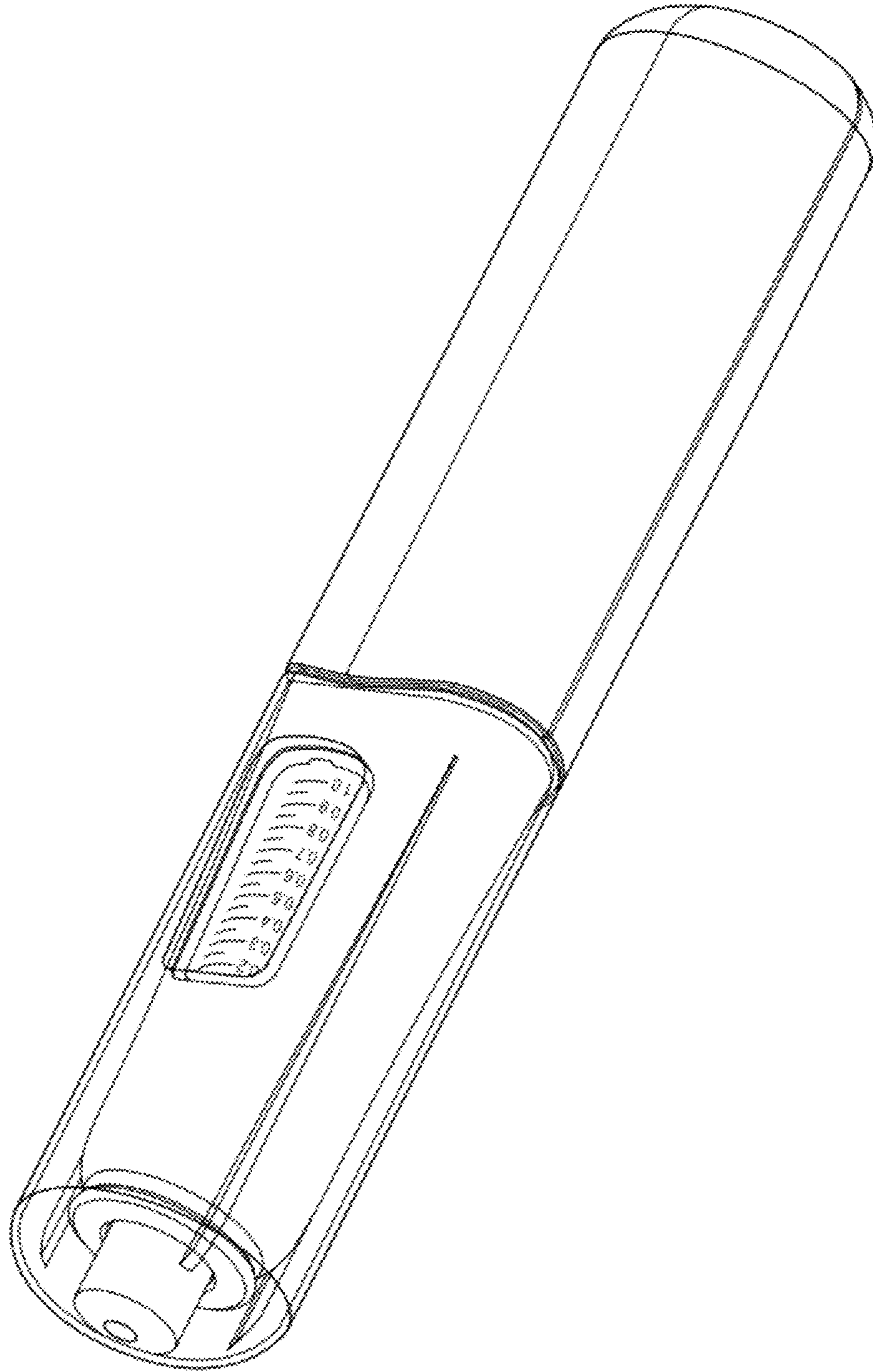


Figure 1

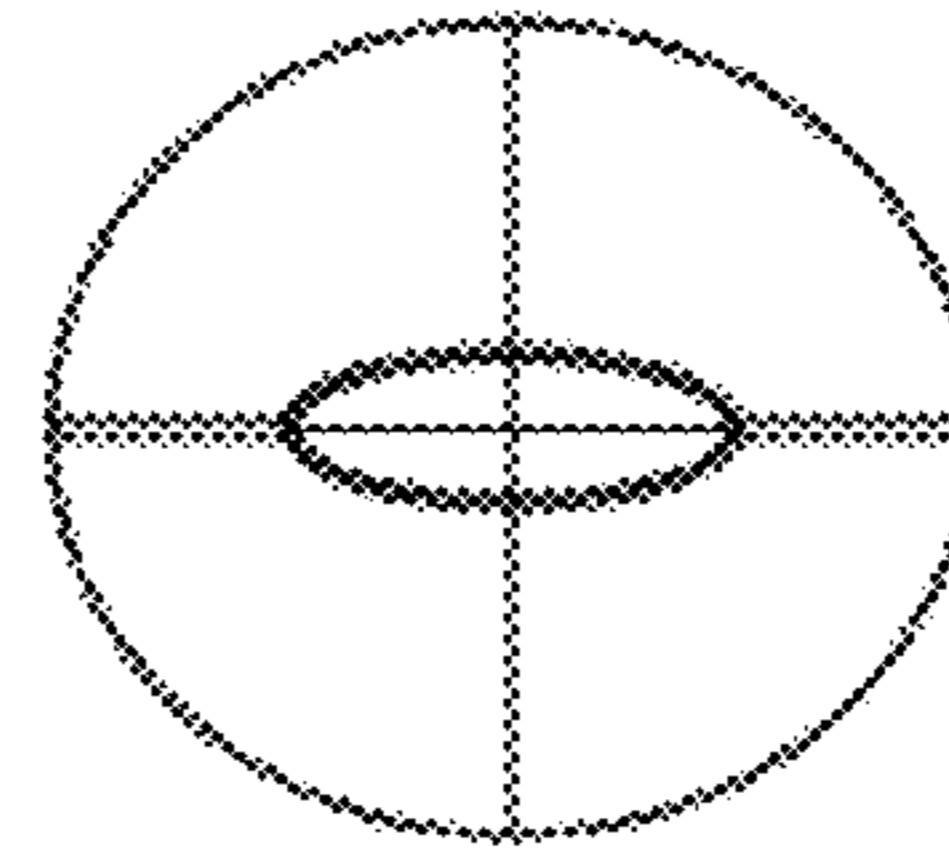


Figure 2

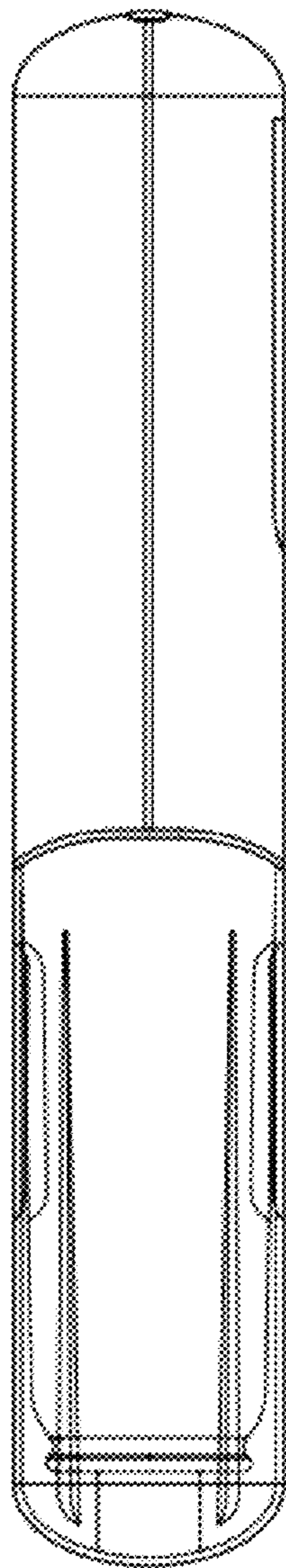


Figure 3

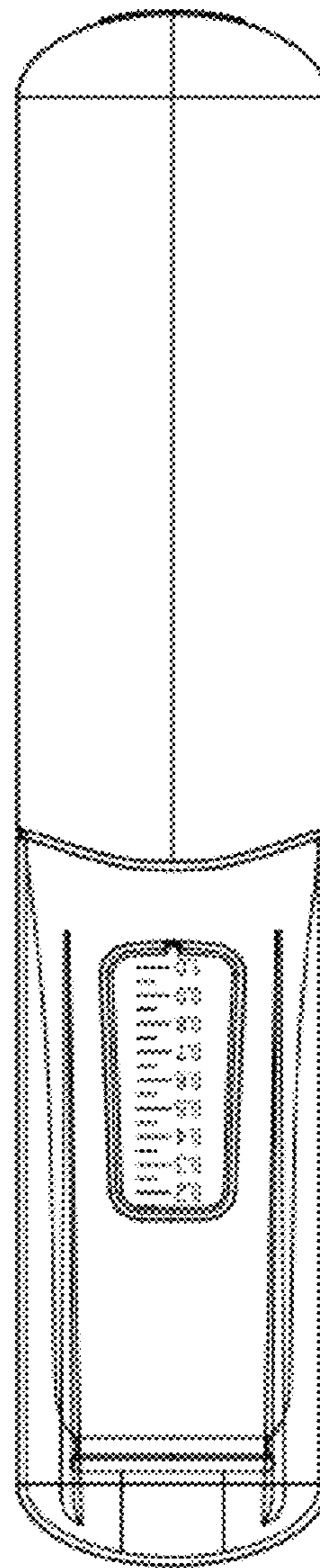


Figure 4

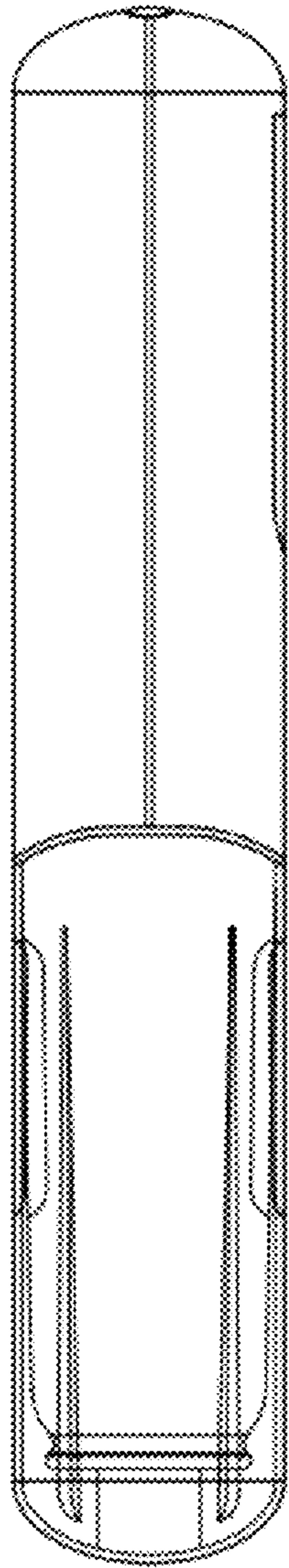


Figure 5

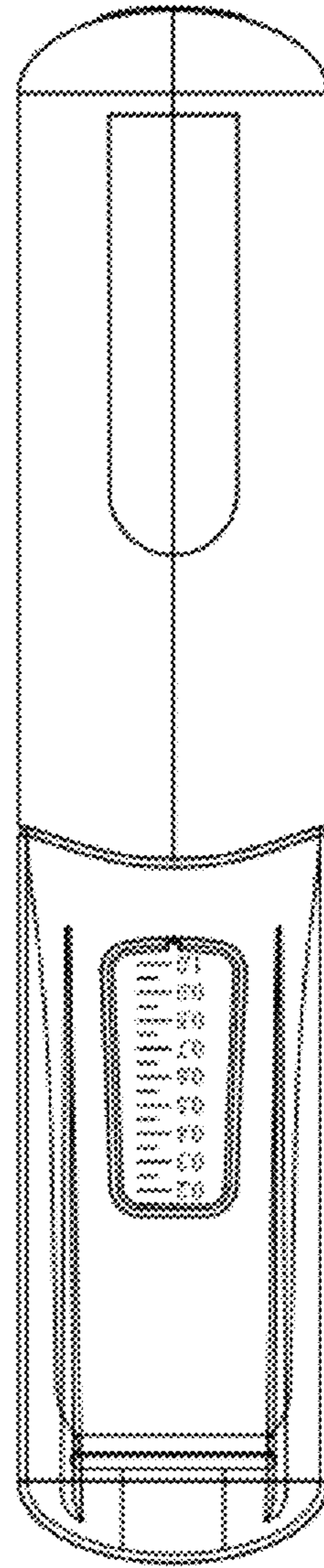


Figure 6

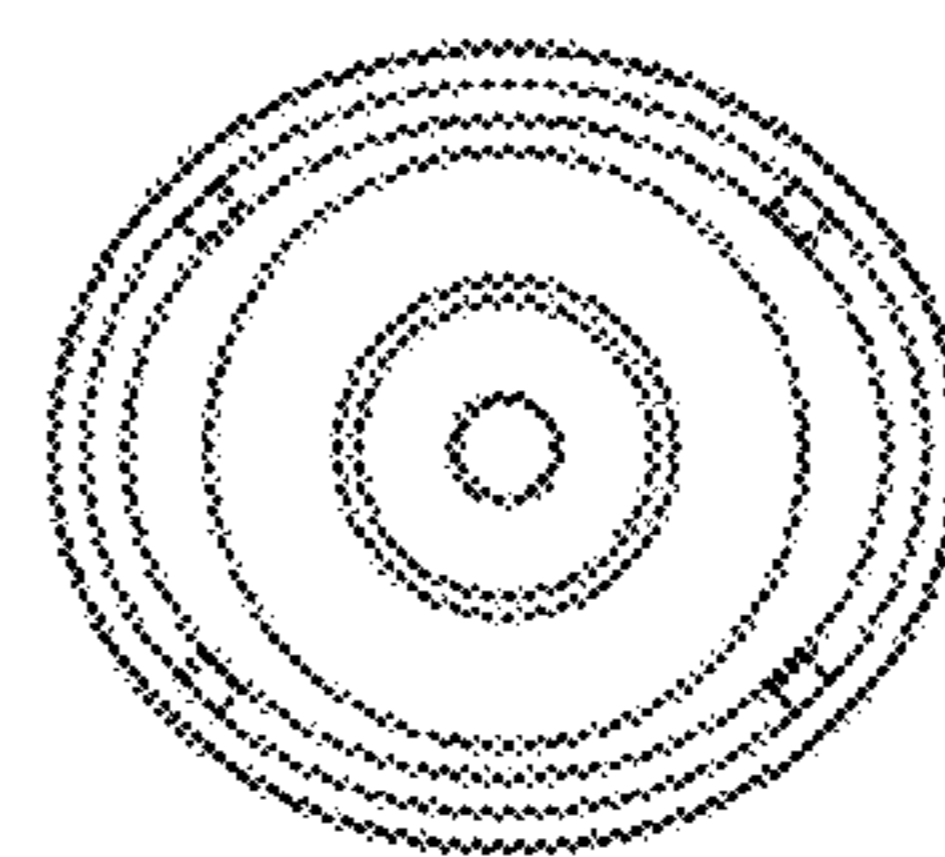


Figure 7

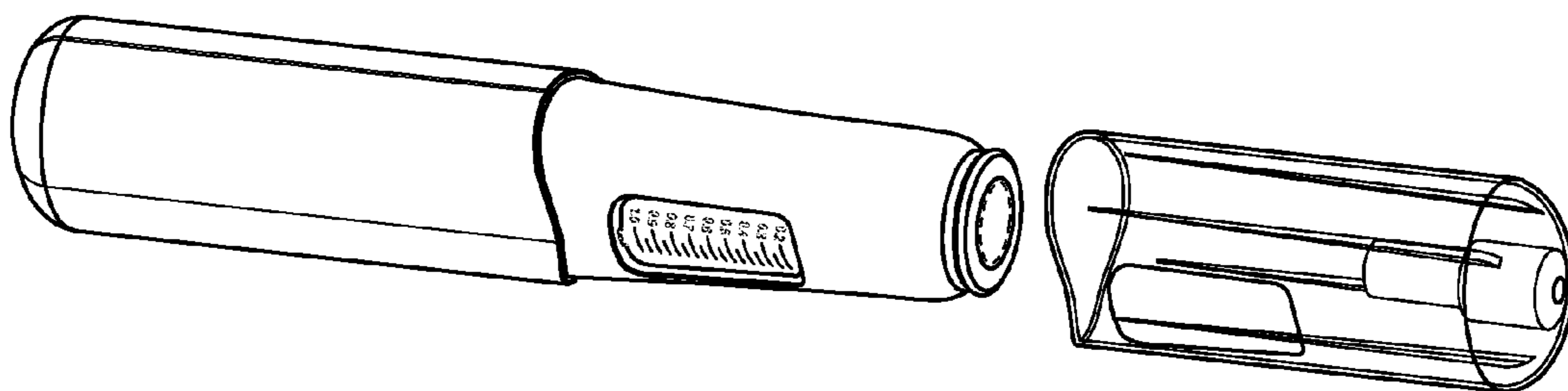


Figure 10

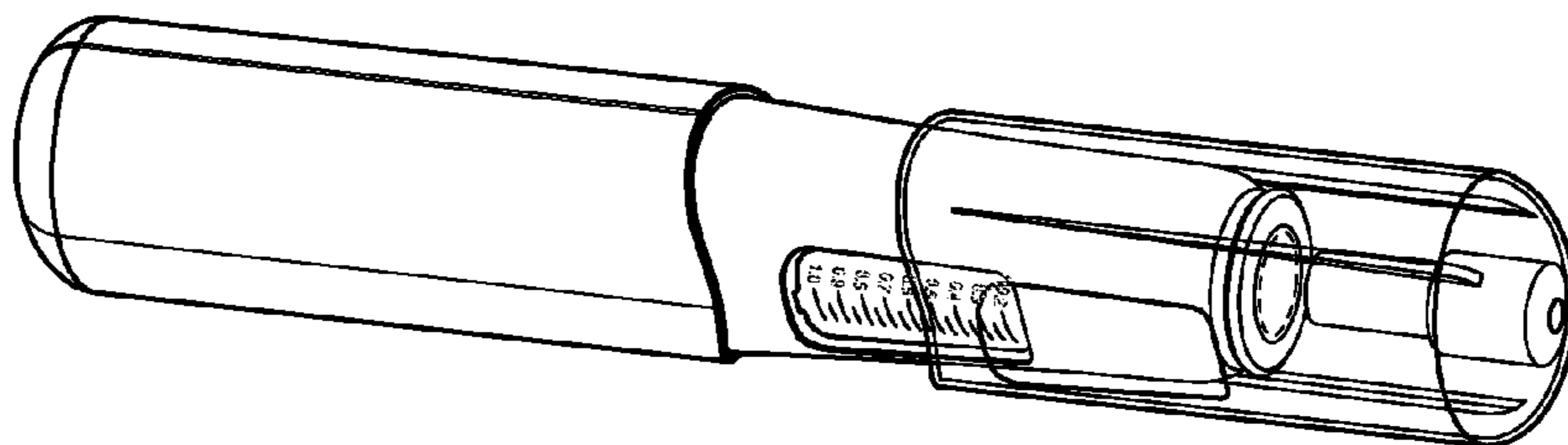


Figure 9

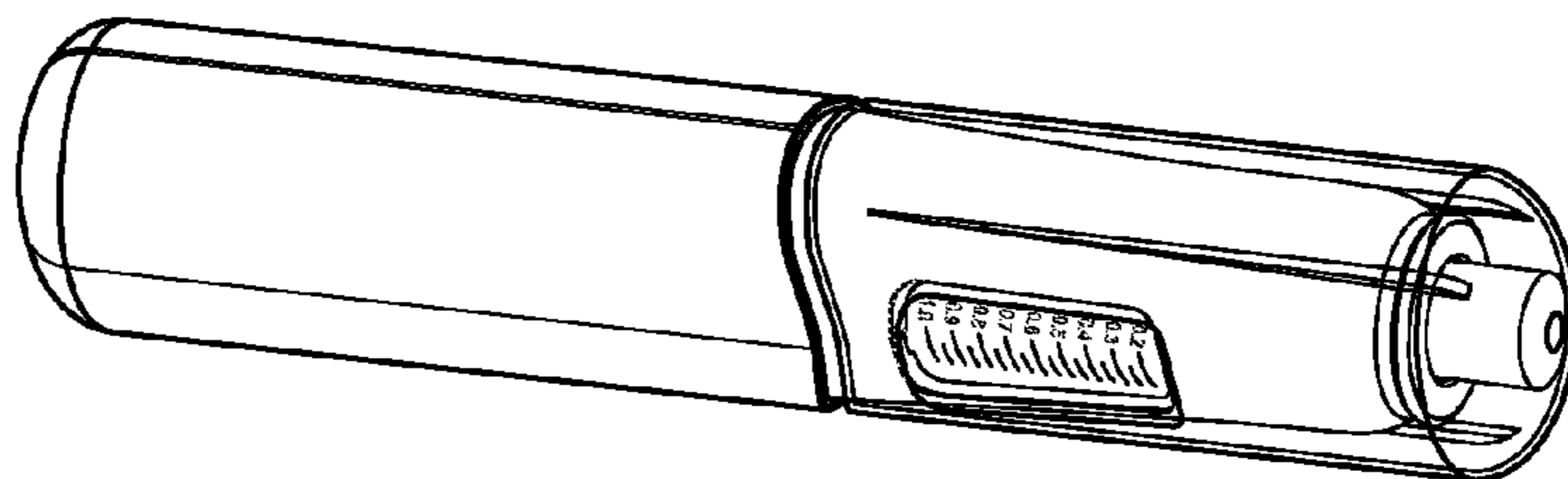


Figure 8

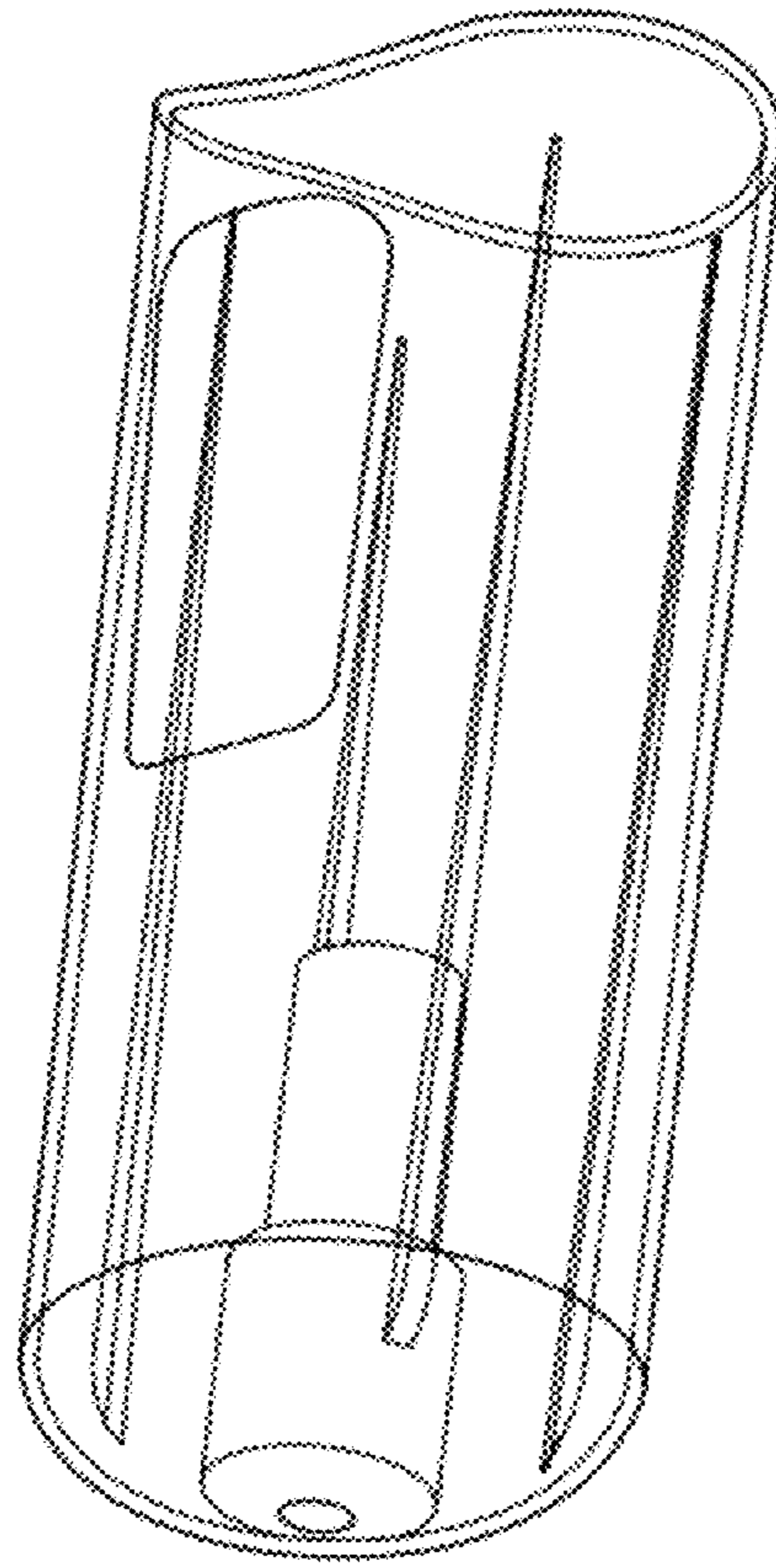


Figure 11

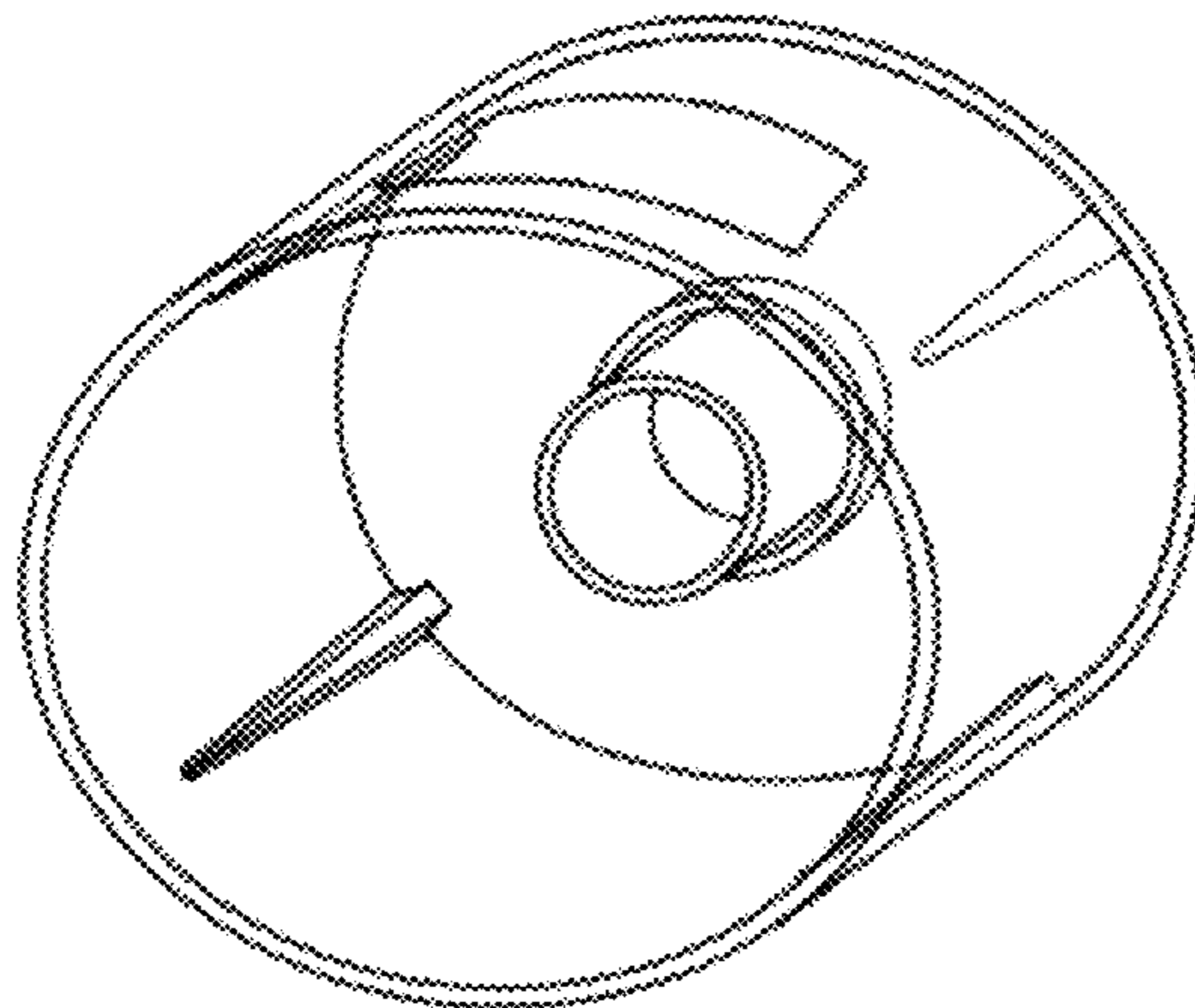


Figure 12

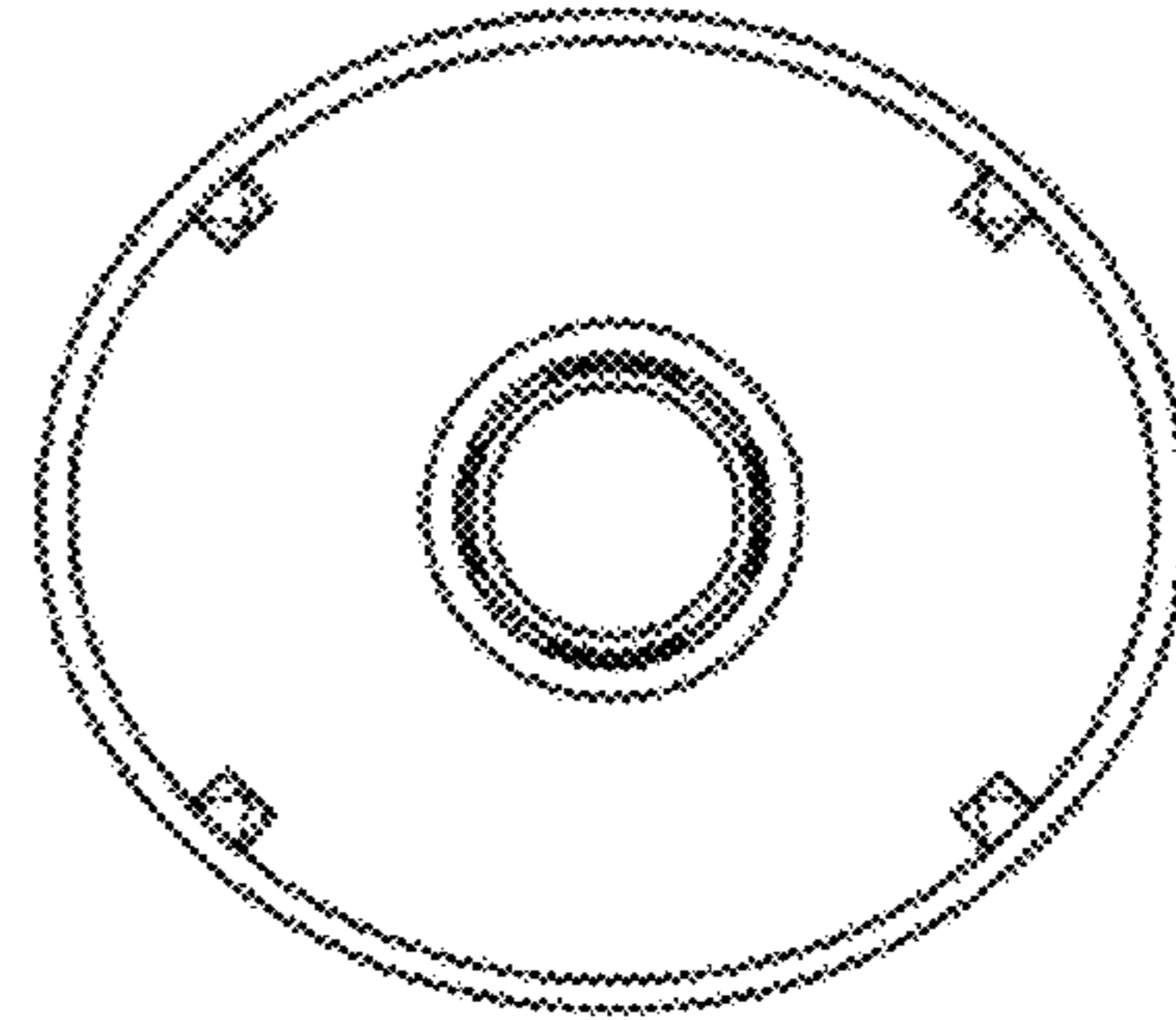


Figure 13

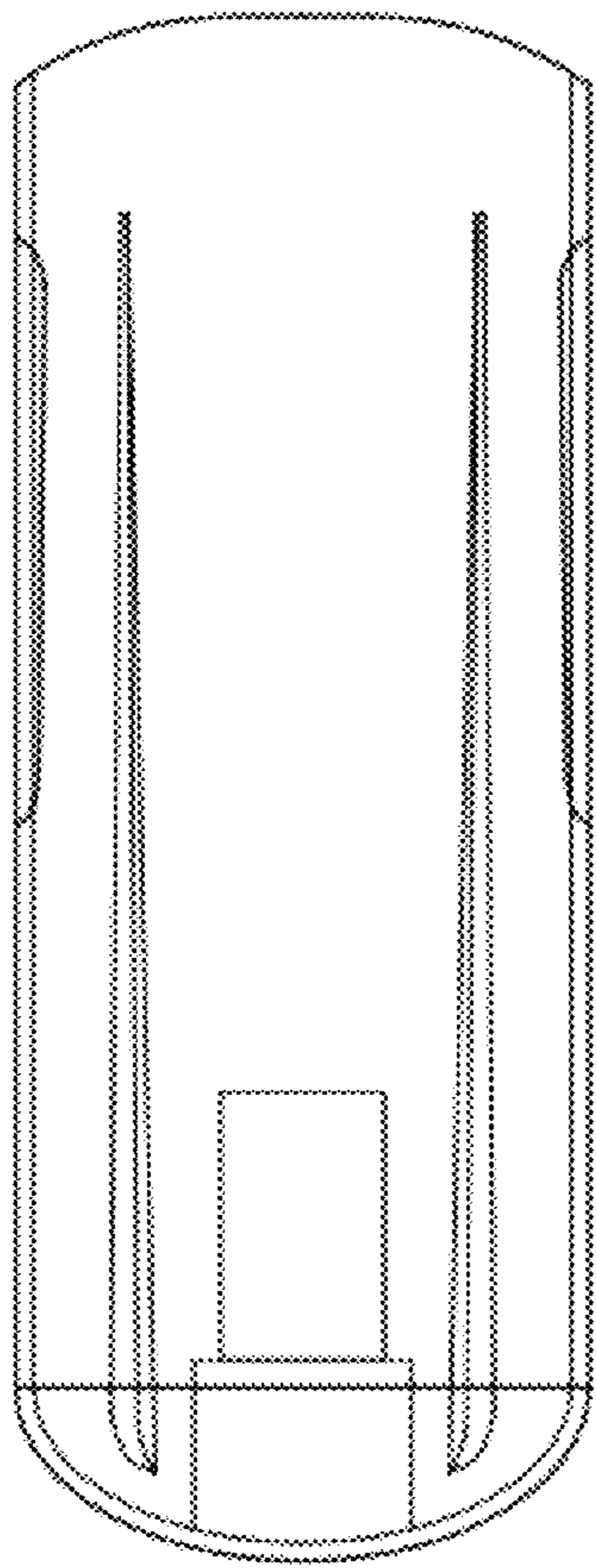


Figure 14

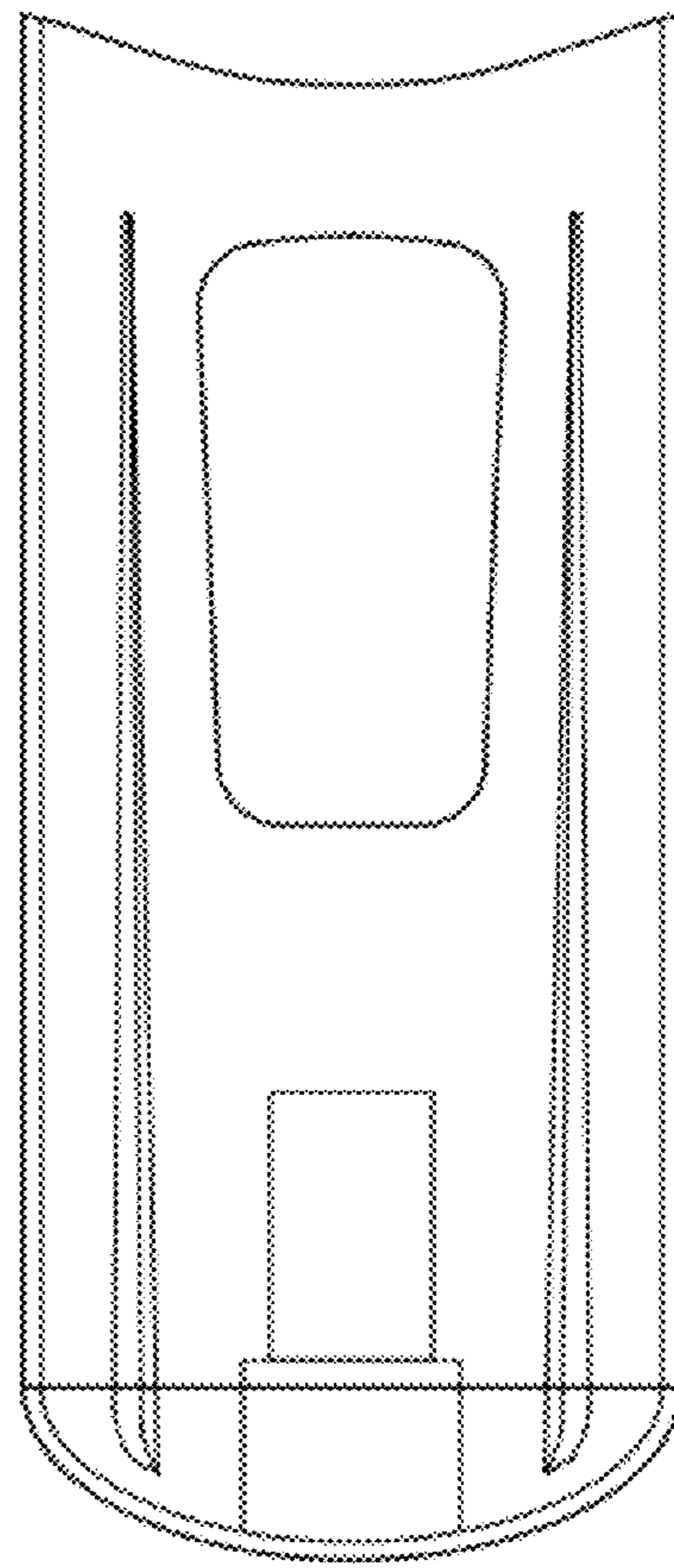


Figure 15

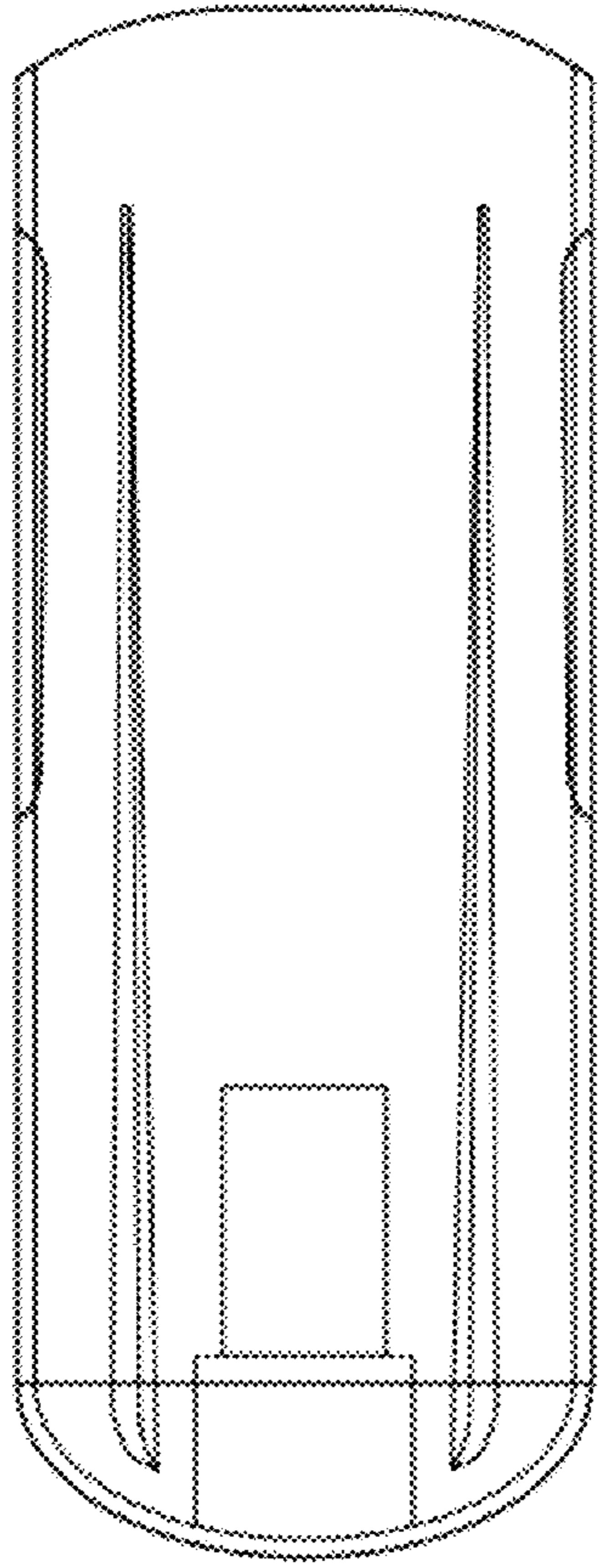


Figure 16

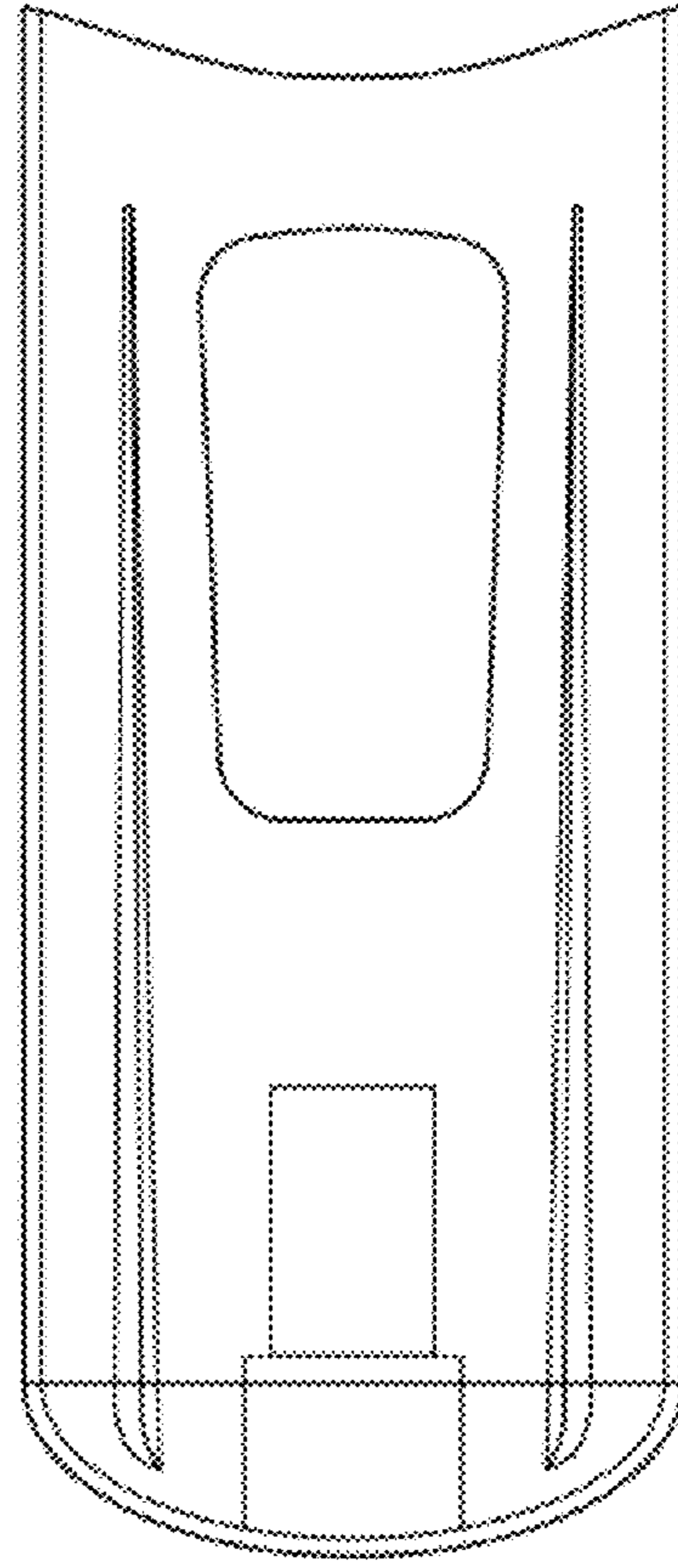


Figure 17

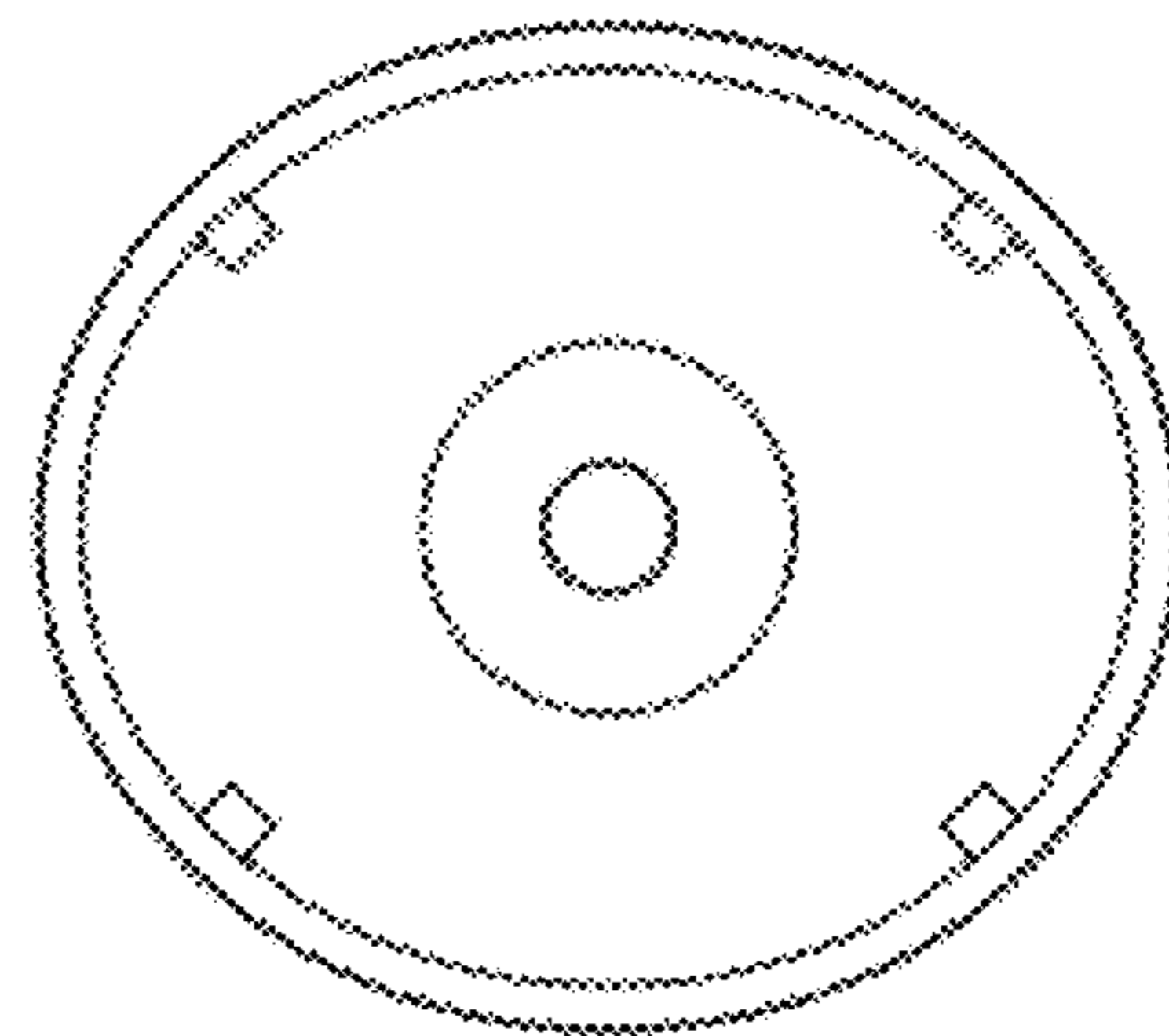


Figure 18