



US00D660957S

(12) **United States Design Patent**
Lee-Sepsick

(10) **Patent No.:** **US D660,957 S**

(45) **Date of Patent:** **** May 29, 2012**

(54) **DEVICE FOR MIXING FLUIDS**

(75) Inventor: **Kathy Lee-Sepsick**, Suwanee, GA (US)

(73) Assignee: **Femasys Inc.**, Suwanee, GA (US)

(**) Term: **14 Years**

(21) Appl. No.: **29/362,010**

(22) Filed: **May 19, 2010**

(51) **LOC (9) Cl.** **24-02**

(52) **U.S. Cl.** **D24/112**

(58) **Field of Classification Search** D24/112-114,
D24/133, 186, 104, 130, 127; 606/181, 185;
604/232, 187, 158, 164.08, 192, 263, 163,
604/181, 184, 198, 227

See application file for complete search history.

(56) **References Cited**

U.S. PATENT DOCUMENTS

5,690,663	A	*	11/1997	Stephens	606/185
D512,147	S	*	11/2005	Barker	D24/133
D545,433	S	*	6/2007	Messerly et al.	D24/186
D556,320	S	*	11/2007	Boclet	D24/114
D568,988	S	*	5/2008	Galbraith	D24/114
D615,192	S	*	5/2010	Mudd et al.	D24/113
D622,401	S	*	8/2010	Suzuki	D24/186

D629,098	S	*	12/2010	Sonleiter et al.	D24/133
D638,934	S	*	5/2011	Kimmel	D24/130
D638,935	S	*	5/2011	Gilmore et al.	D24/133
D645,139	S	*	9/2011	Sawhney et al.	D24/113
D646,386	S	*	10/2011	Miller et al.	D24/133
D647,201	S	*	10/2011	Gauthier et al.	D24/133

* cited by examiner

Primary Examiner — David Muller

(74) *Attorney, Agent, or Firm* — Ballard Spahr LLP

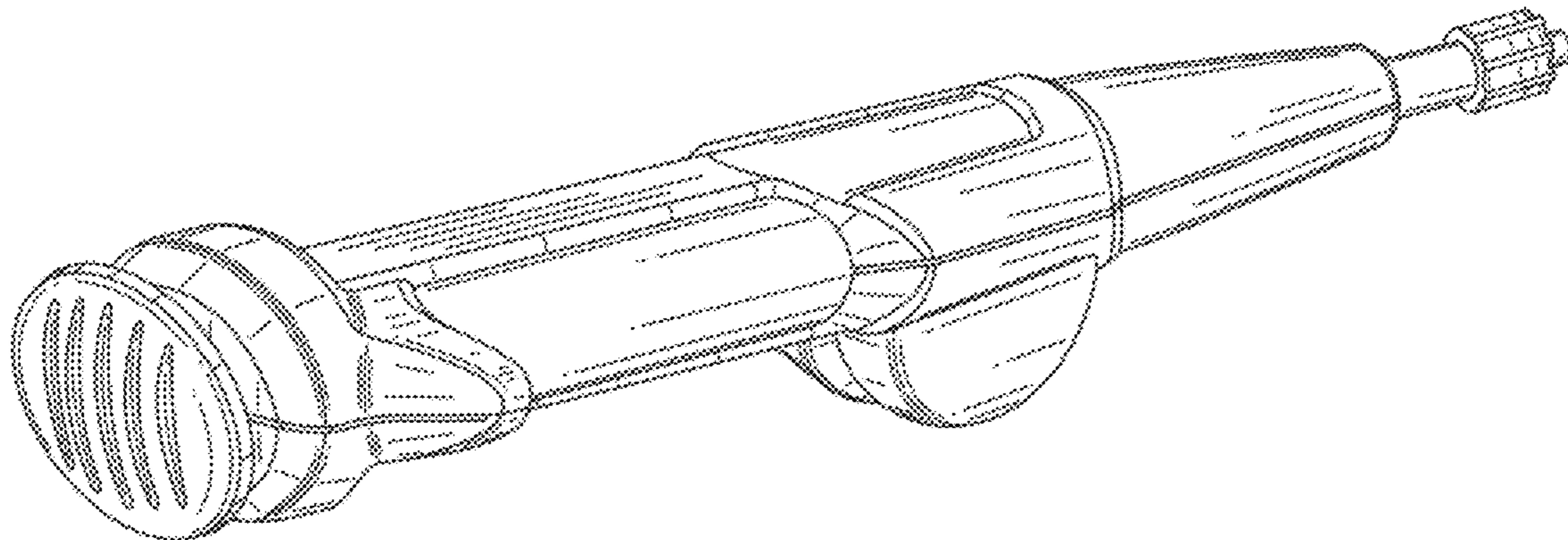
(57) **CLAIM**

The ornamental design for a device for mixing fluids, as shown and described.

DESCRIPTION

FIG. 1 is a perspective view of one embodiment of a device for mixing fluids of the present invention; FIG. 2 is a right side elevational view of the device of FIG. 1; FIG. 3 is a left side elevational view of the device of FIG. 1; FIG. 4 is a front elevational view of the device of FIG. 1; FIG. 5 is a back elevational view of the device of FIG. 1; FIG. 6 is a top elevational view of the device of FIG. 1; and, FIG. 7 is a bottom elevational view of the device of FIG. 1. The broken line showing of parts of the drawings is included for the purpose of illustrating use and environment and forms no part of the claimed design.

1 Claim, 6 Drawing Sheets



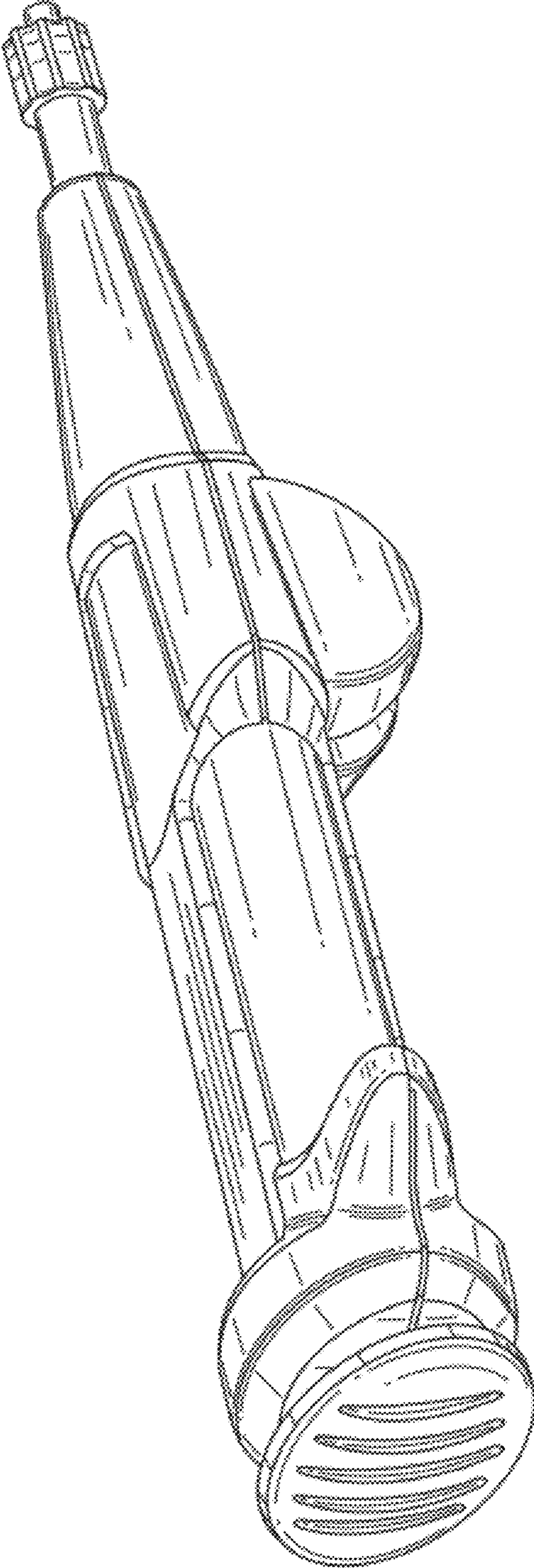


FIG. 1

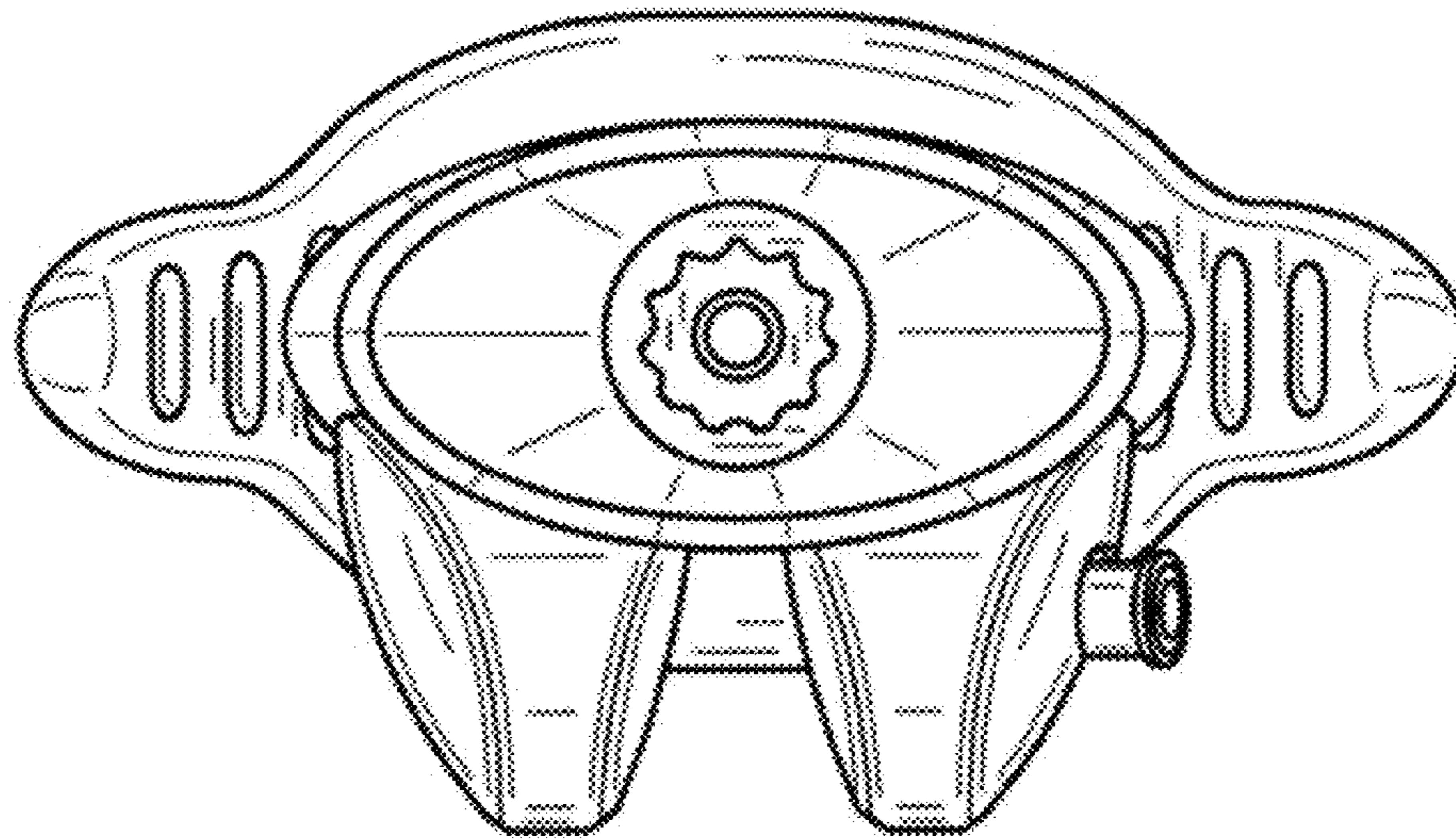


FIG. 2

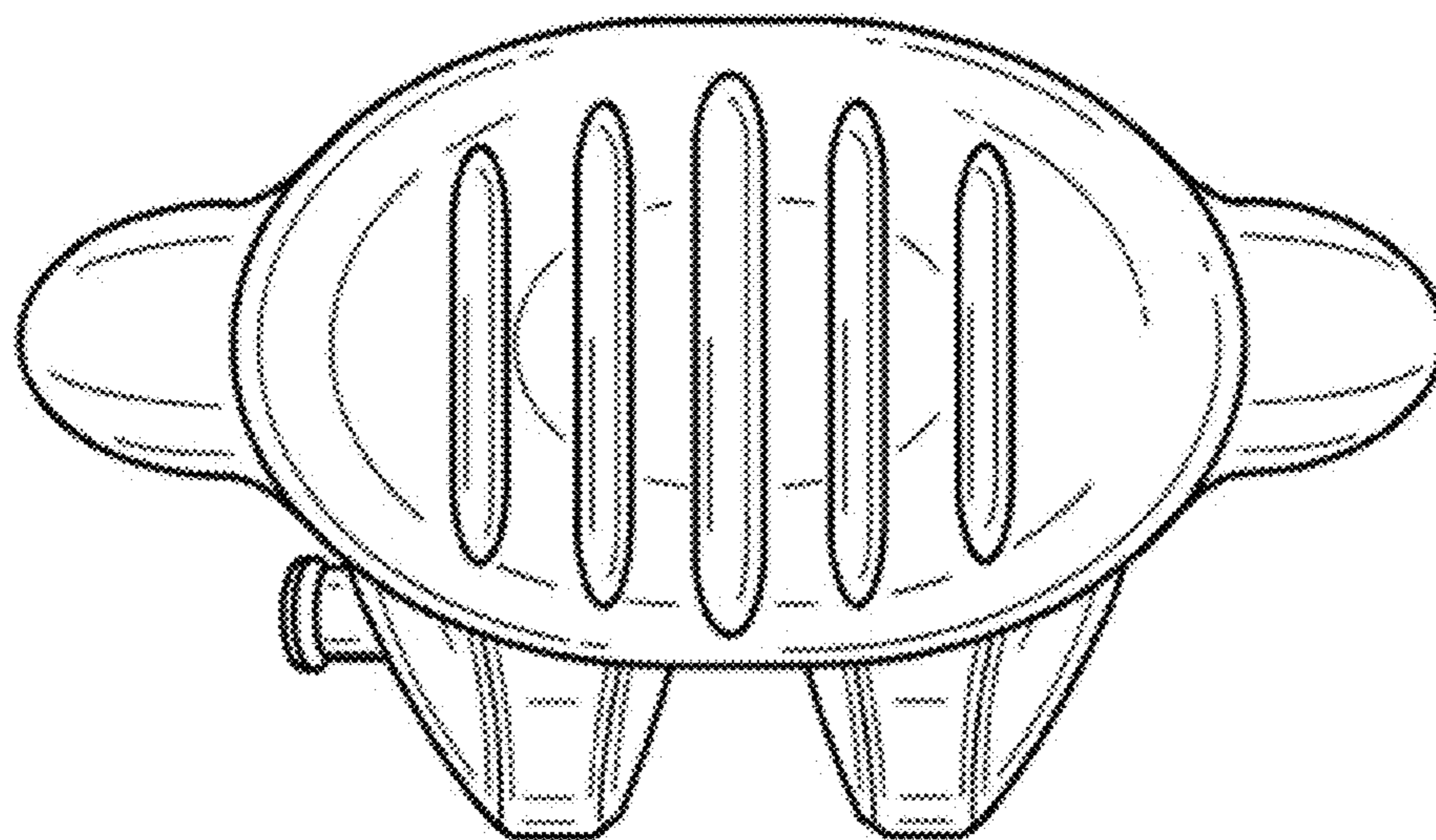


FIG. 3

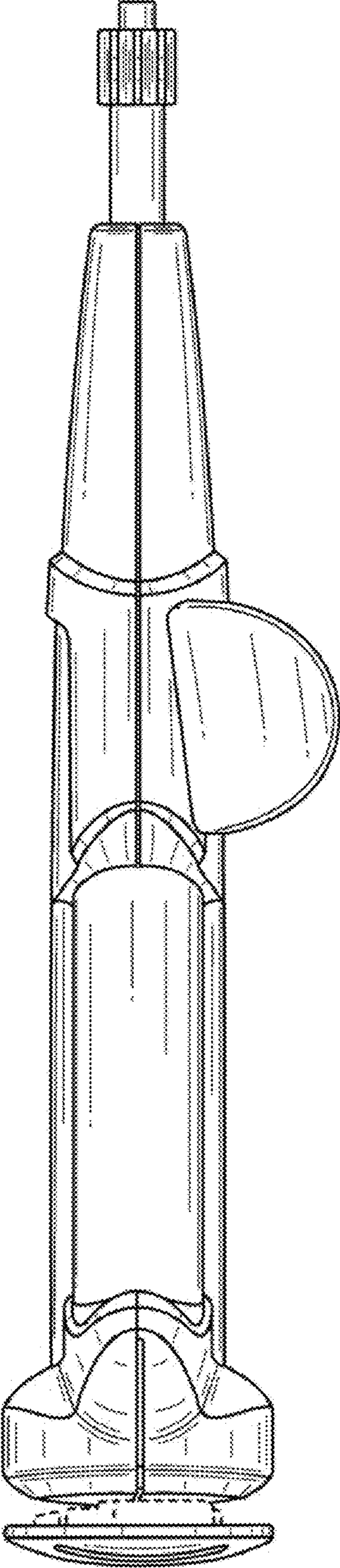


FIG. 4

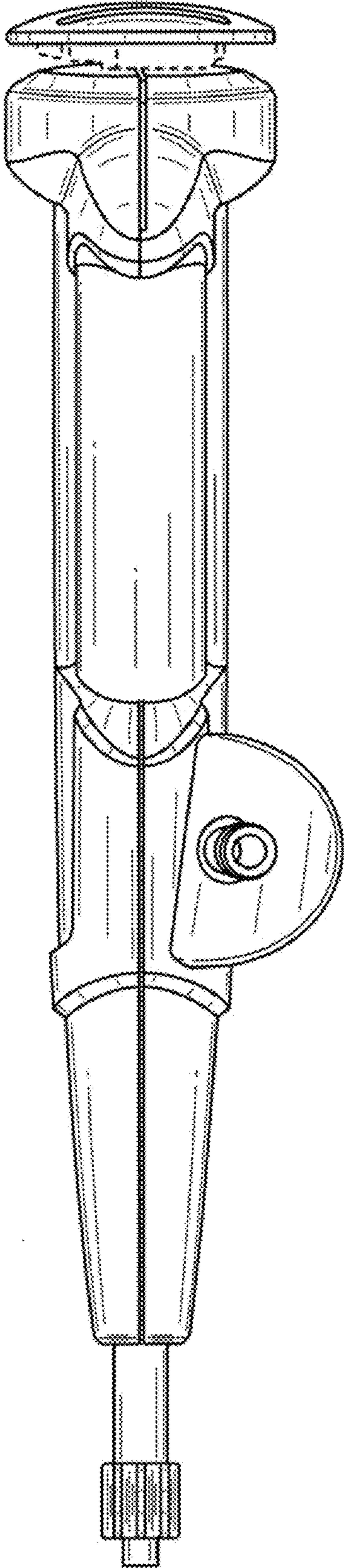


FIG. 5

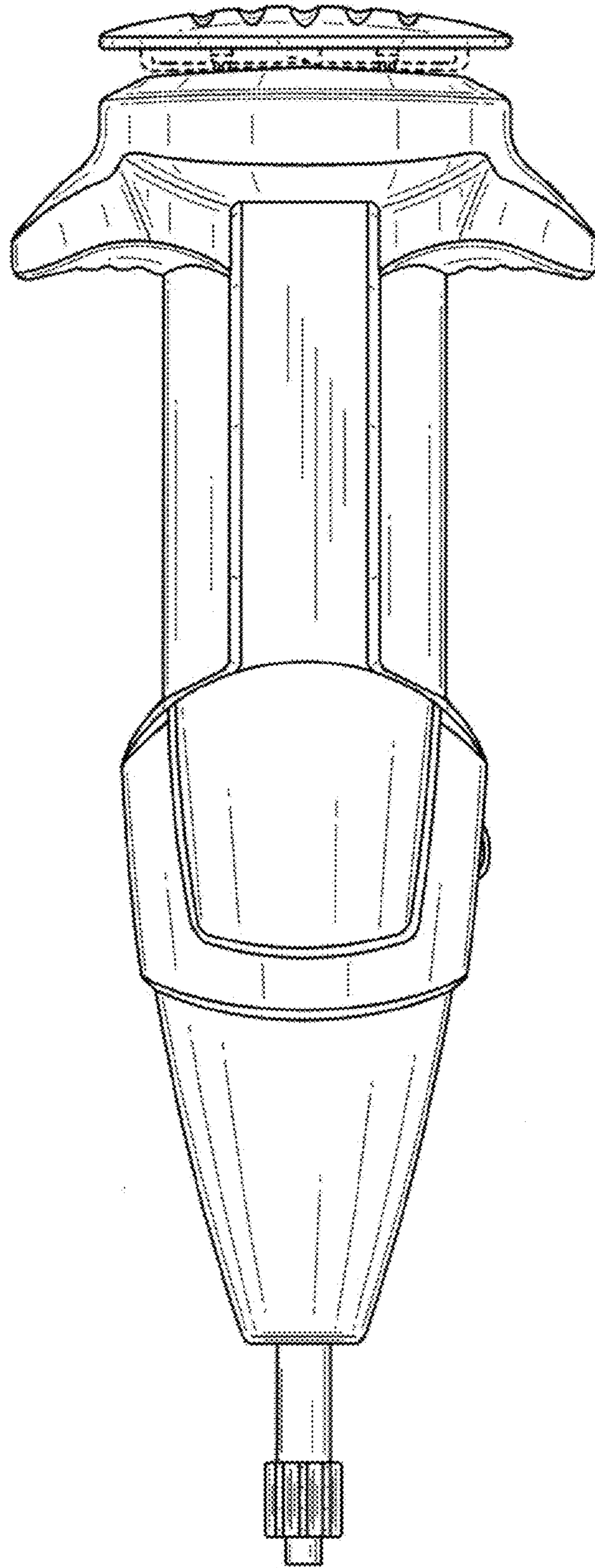


FIG. 6

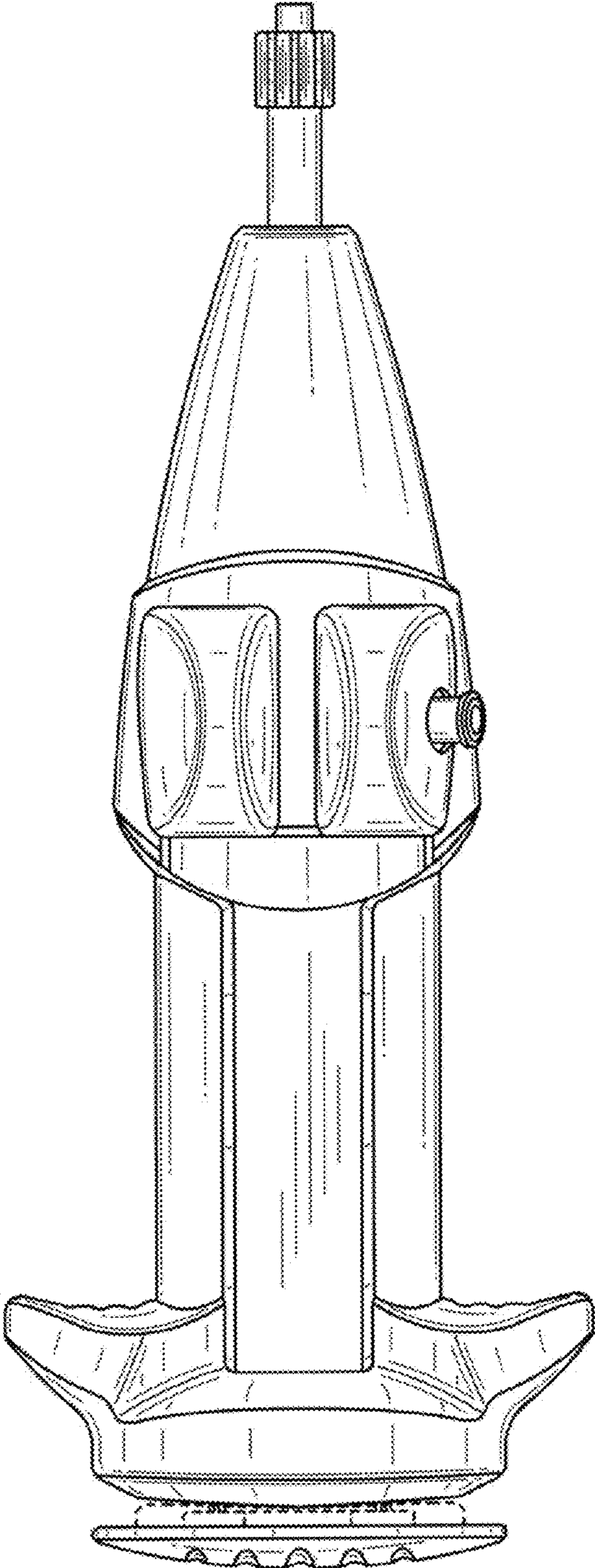


FIG. 7