



US00D660956S

(12) **United States Design Patent**
Zuyderhoudt

(10) **Patent No.:** **US D660,956 S**

(45) **Date of Patent:** **** May 29, 2012**

(54) **INHALER**

(75) **Inventor:** **Krijn Franciscus Marie Zuyderhoudt,**
Leiden (NL)

(73) **Assignee:** **Teva Pharmaceutical Industries Ltd.,**
Petach Tikva (IL)

(**) **Term:** **14 Years**

(21) **Appl. No.:** **29/393,289**

(22) **Filed:** **Jun. 1, 2011**

(30) **Foreign Application Priority Data**

Dec. 1, 2010 (EM) 001247654-0001

(51) **LOC (9) Cl.** **29-02**

(52) **U.S. Cl.** **D24/110**

(58) **Field of Classification Search** D24/110;
128/200.14, 200.23, 203.15, 204.21, 205.23
See application file for complete search history.

(56) **References Cited**

U.S. PATENT DOCUMENTS

D311,443 S * 10/1990 Long et al. D24/110

D433,502 S * 11/2000 Rand D24/110

6,164,275 A * 12/2000 Van Iderstine 128/200.14
D461,239 S * 8/2002 Cassidy D24/110
D475,133 S * 5/2003 McLuckie D24/110
6,805,116 B2 * 10/2004 Hodson et al. 128/200.23
D511,208 S * 11/2005 Pardonge et al. D24/110
D556,896 S * 12/2007 Logan D24/110
D571,001 S * 6/2008 Warby et al. D24/110
D610,249 S * 2/2010 Robinson D24/110
D629,504 S * 12/2010 Zuyderhoudt D24/110
2005/0005930 A1 * 1/2005 Rubel 128/200.23

* cited by examiner

Primary Examiner — Ian Simmons

Assistant Examiner — Christopher Lee

(74) *Attorney, Agent, or Firm* — Christensen O'Connor
Johnson Kindness PLLC

(57) **CLAIM**

The ornamental design for an inhaler, as shown.

DESCRIPTION

FIG. 1 is an isometric view of an inhaler showing my new design;

FIG. 2 is a left side elevational view thereof;

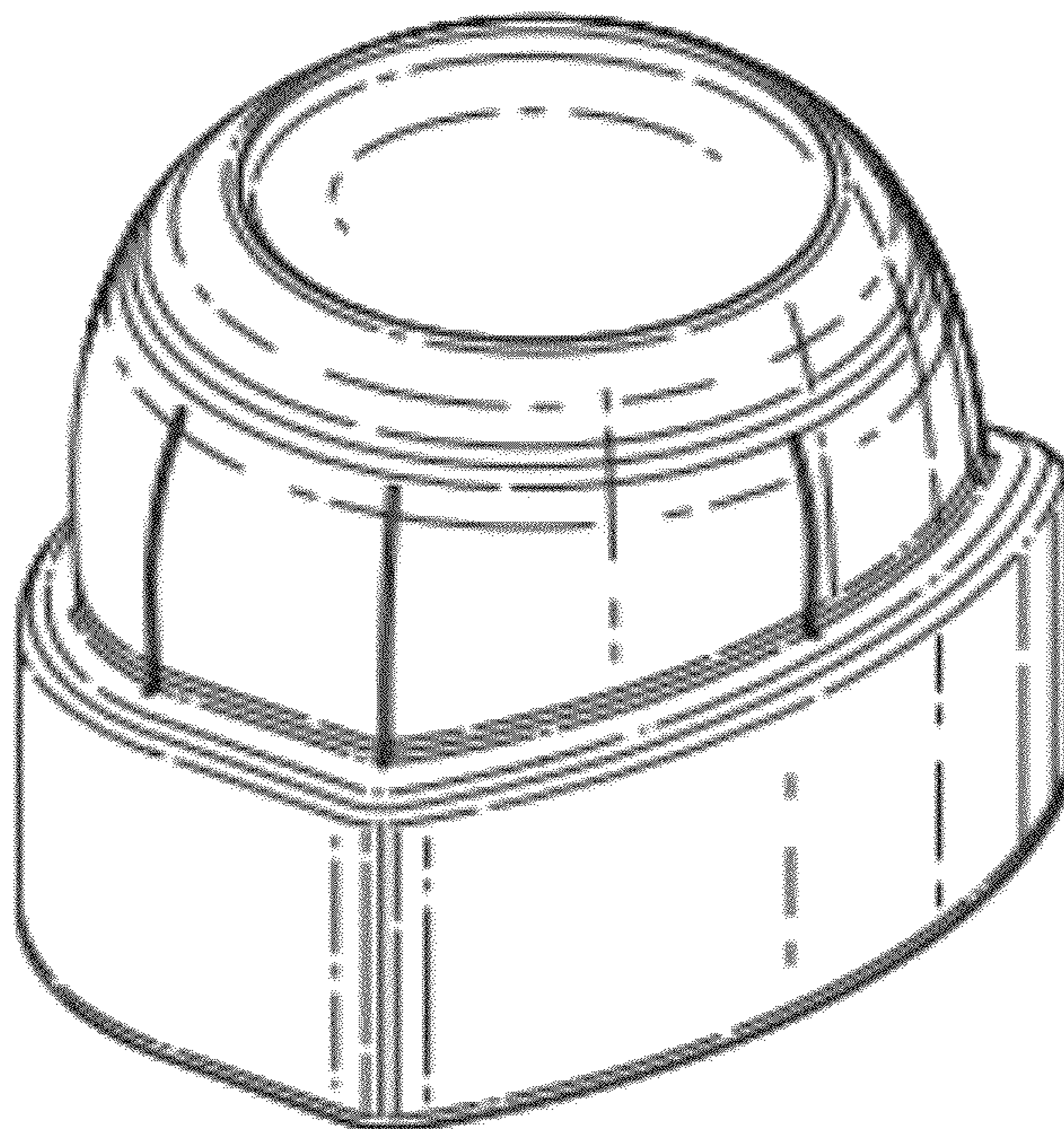
FIG. 3 is a front elevational view thereof;

FIG. 4 is a right side elevational view thereof;

FIG. 5 is a rear elevational view thereof; and,

FIG. 6 is a top view.

1 Claim, 1 Drawing Sheet



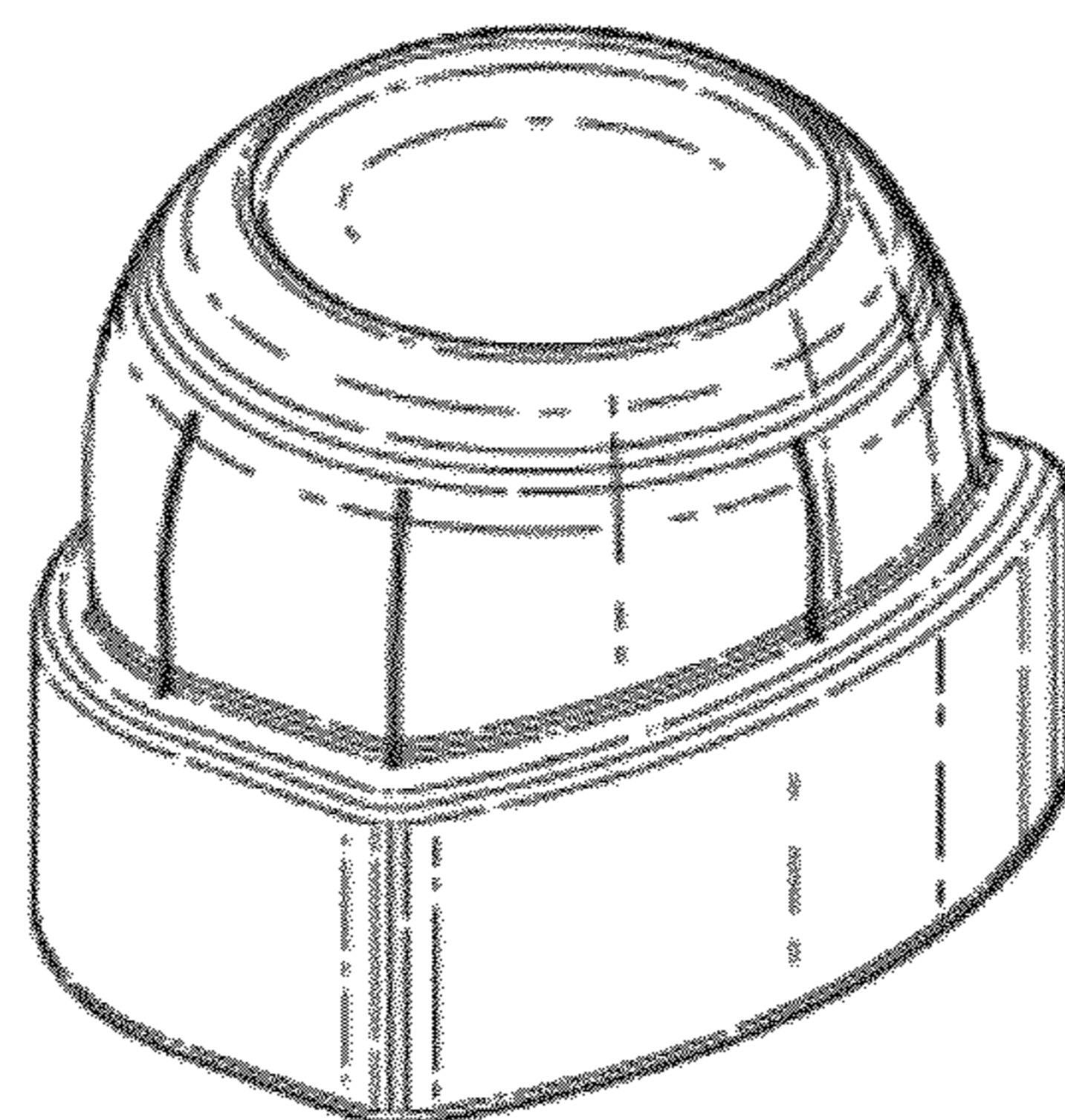


FIG. 1

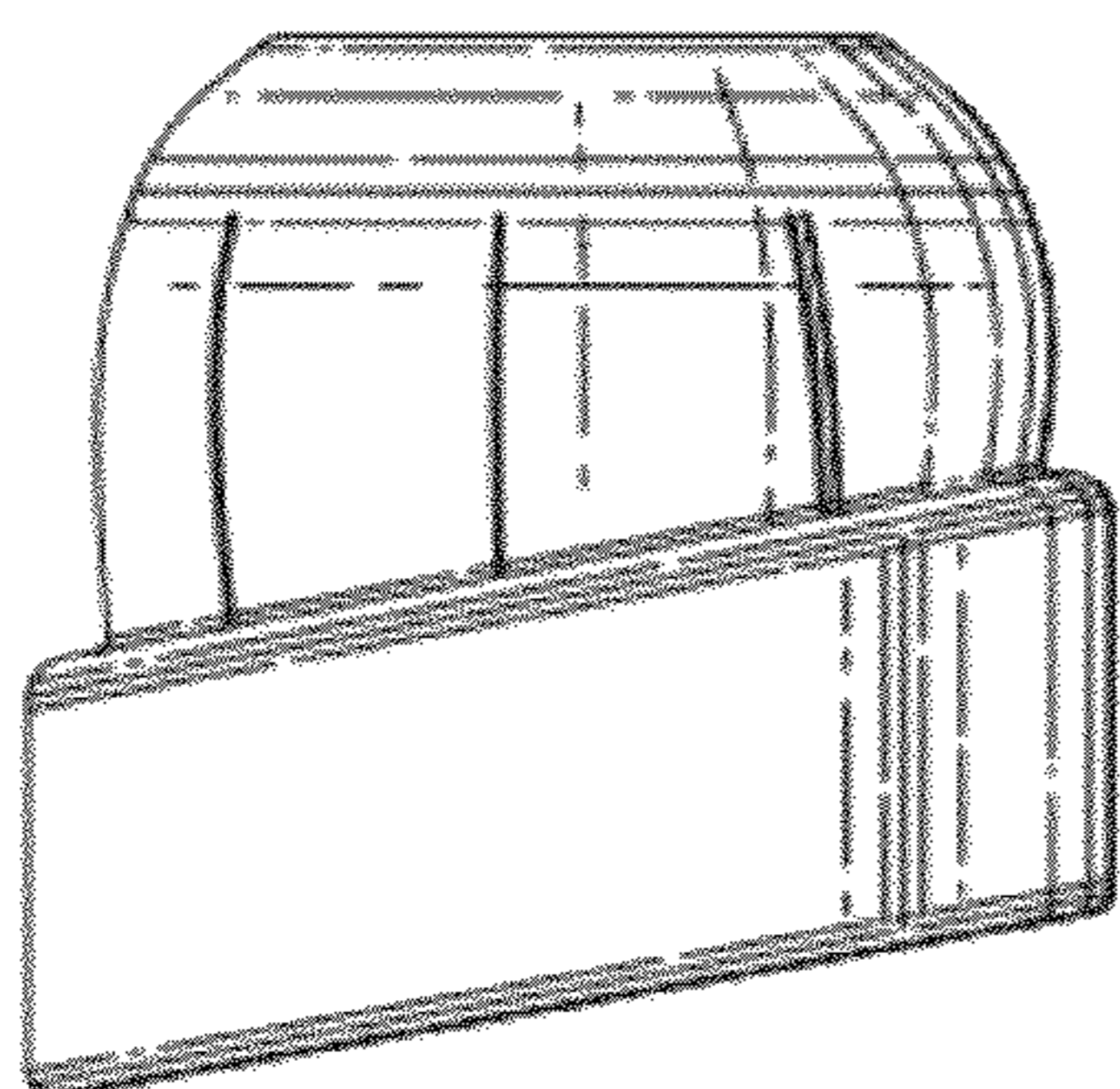


FIG. 2

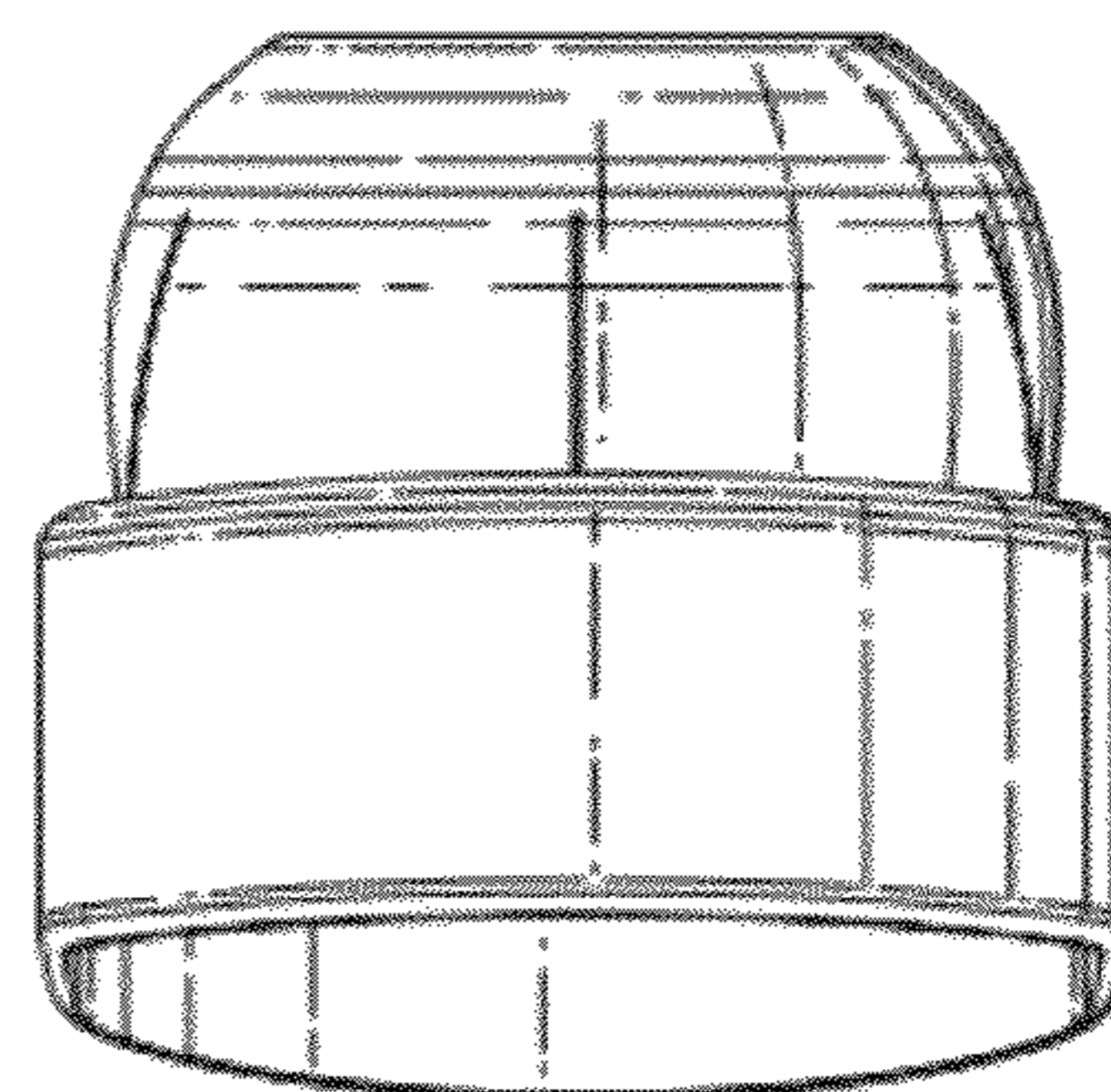


FIG. 3

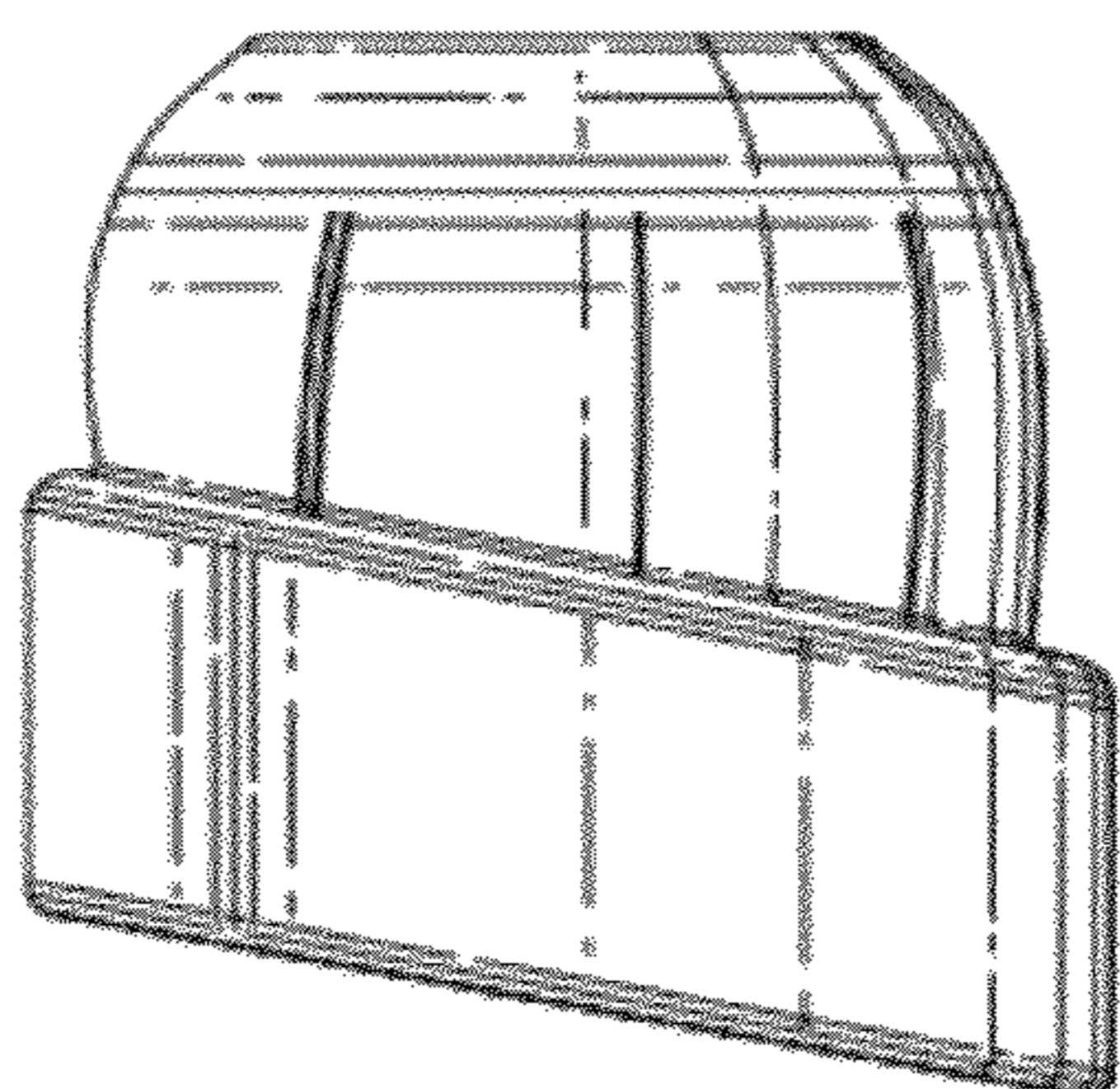


FIG. 4

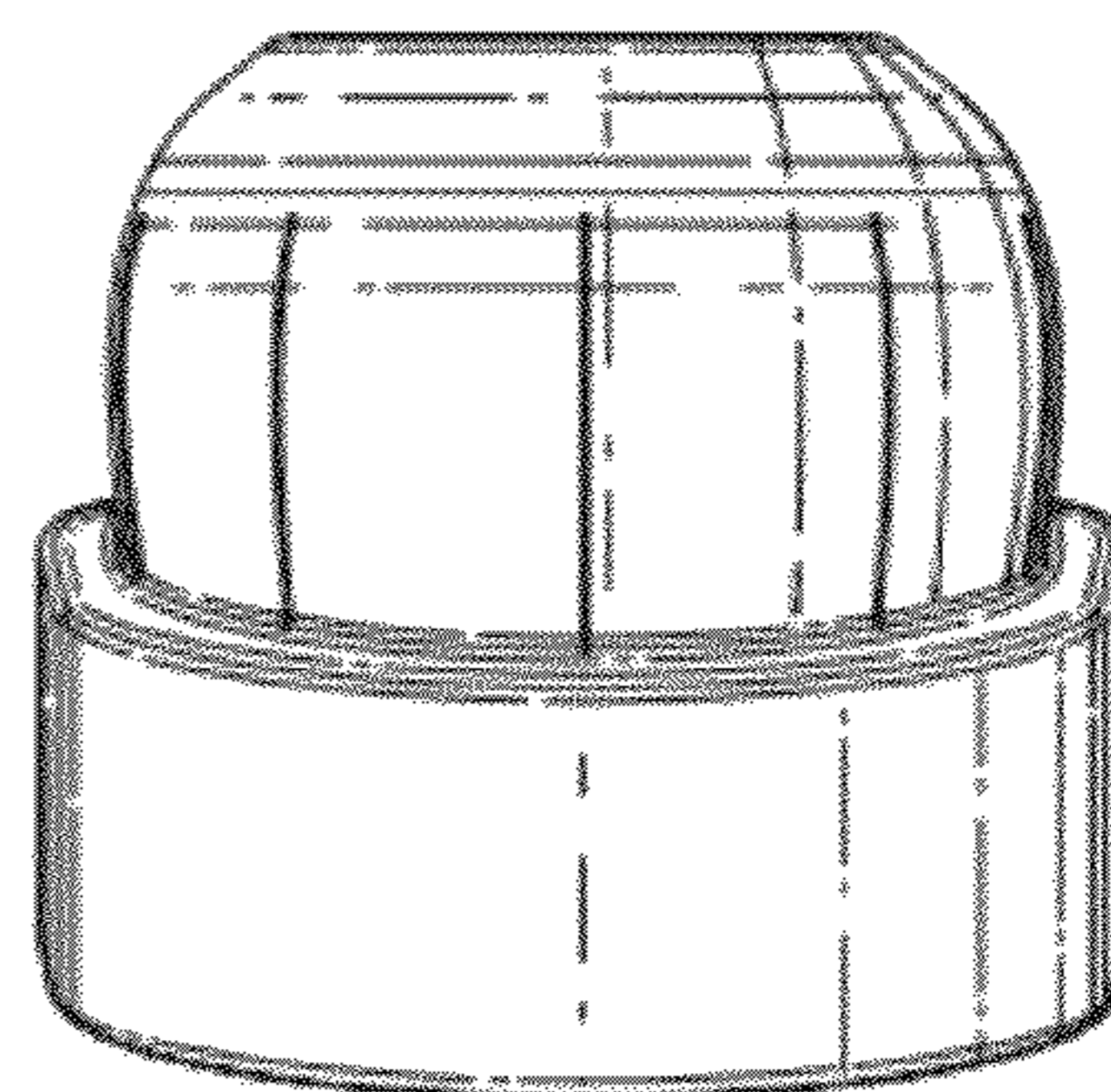


FIG. 5

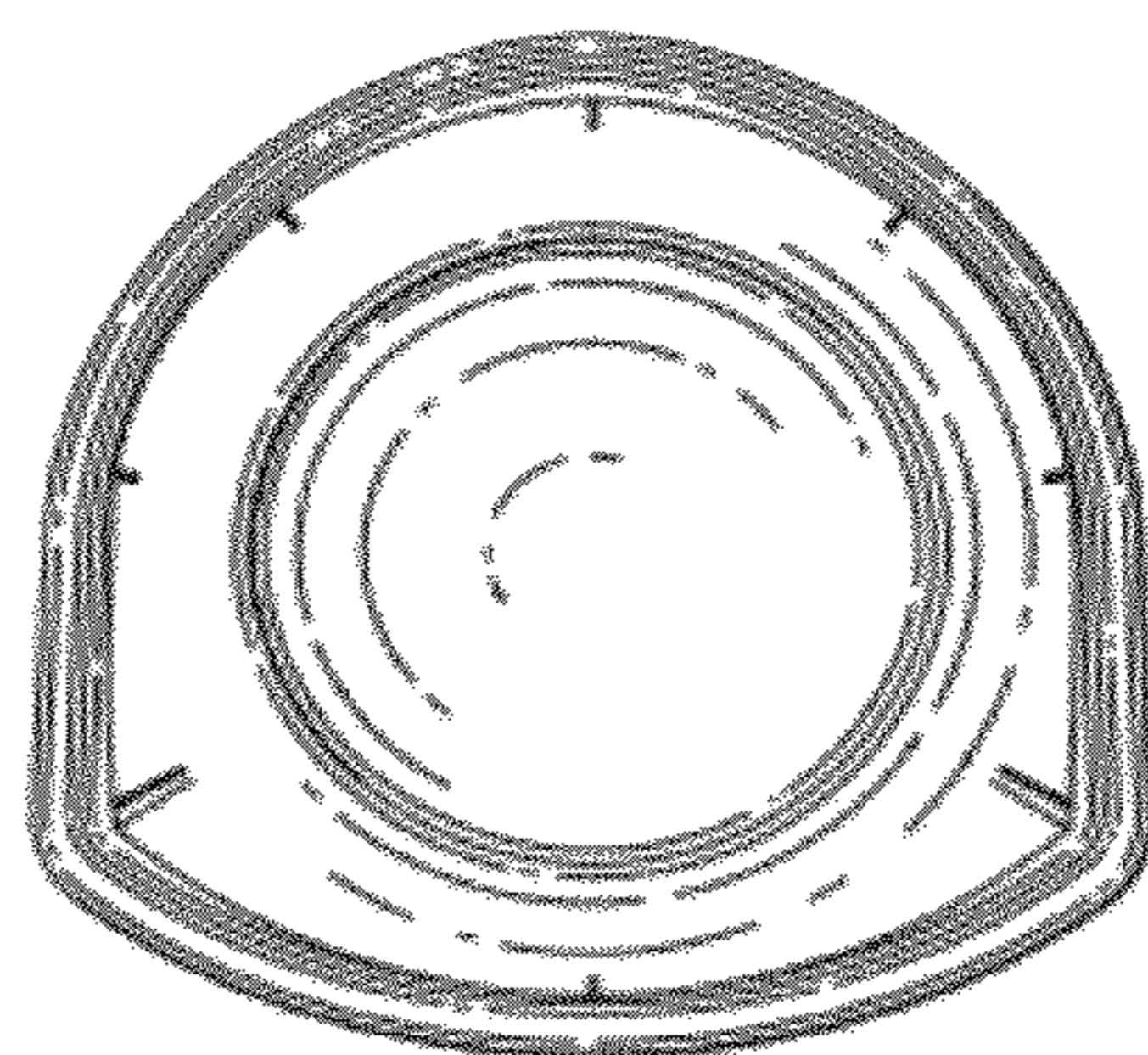


FIG. 6