



US00D660947S

(12) **United States Design Patent**
Varma

(10) **Patent No.:** **US D660,947 S**

(45) **Date of Patent:** **** May 29, 2012**

(54) **FRONT PANEL FOR PORTABLE AIR
CONDITIONER**

D616,081 S * 5/2010 Chiu D23/333
D633,186 S * 2/2011 Fan D23/333
D641,844 S * 7/2011 Kim et al. D23/333

(75) Inventor: **Sanjay Varma**, Stanley (HK)

* cited by examiner

(73) Assignee: **Airtech Int'l Corp. Ltd.**, Hong Kong
(HK)

Primary Examiner — Brian N Vinson

(74) *Attorney, Agent, or Firm* — Douglas Denninger

(**) Term: **14 Years**

(57) **CLAIM**

I claim the ornamental design for a front panel for portable air conditioner, as shown and described.

(21) Appl. No.: **29/407,719**

(22) Filed: **Dec. 1, 2011**

DESCRIPTION

(51) **LOC (9) Cl.** **23-04**

(52) **U.S. Cl.** **D23/333; D23/354**

(58) **Field of Classification Search** D23/314,
D23/317, 332-333, 351; 312/236; 62/259.1,
62/259.3, 259.4, 262-263, 304, 401, 515-516;
454/330-331, 349-350, 354

See application file for complete search history.

FIG. 1 is a perspective view of a front panel for portable air conditioner showing my new design, with the rear elevation view hidden and therefore not part of my claimed design and the broken-line disclosure representing portions of the article in which the claimed design is embodied, but which form no part of the claimed design;

FIG. 2 is a front elevation view thereof;

FIG. 3 is a side elevation view thereof, with the other side being a mirror image;

FIG. 4 is a top plan view thereof;

FIG. 5 is a bottom plan view thereof; and,

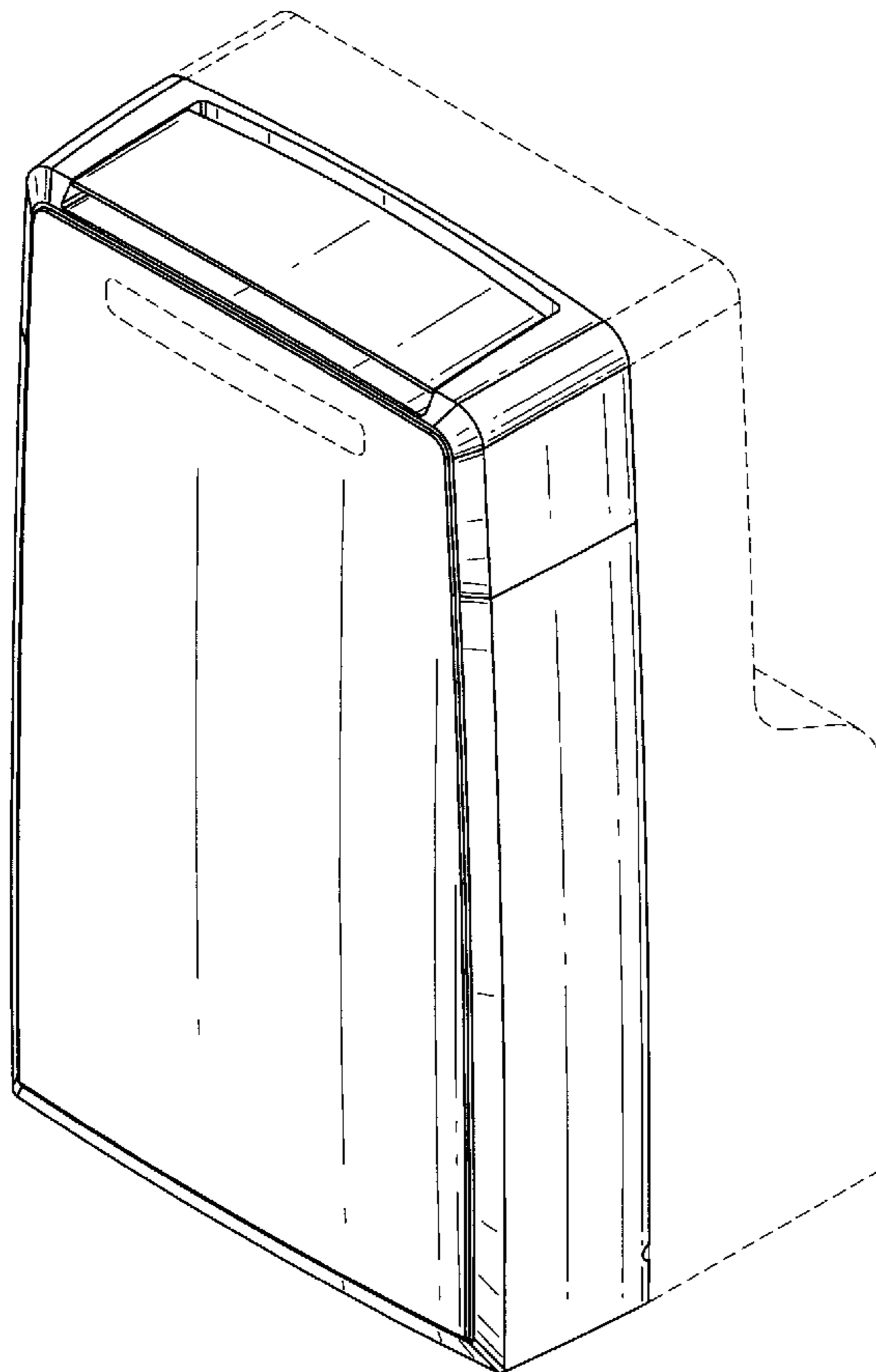
FIG. 6 is perspective view of the front panel for portable air conditioner in the open vent condition.

(56) **References Cited**

U.S. PATENT DOCUMENTS

D448,836 S * 10/2001 De' Longhi D23/333
D566,819 S * 4/2008 Chiu D23/333
D575,857 S * 8/2008 Chiu D23/333
D590,488 S * 4/2009 Chiu D23/333
D598,087 S * 8/2009 Park et al. D23/333

1 Claim, 5 Drawing Sheets



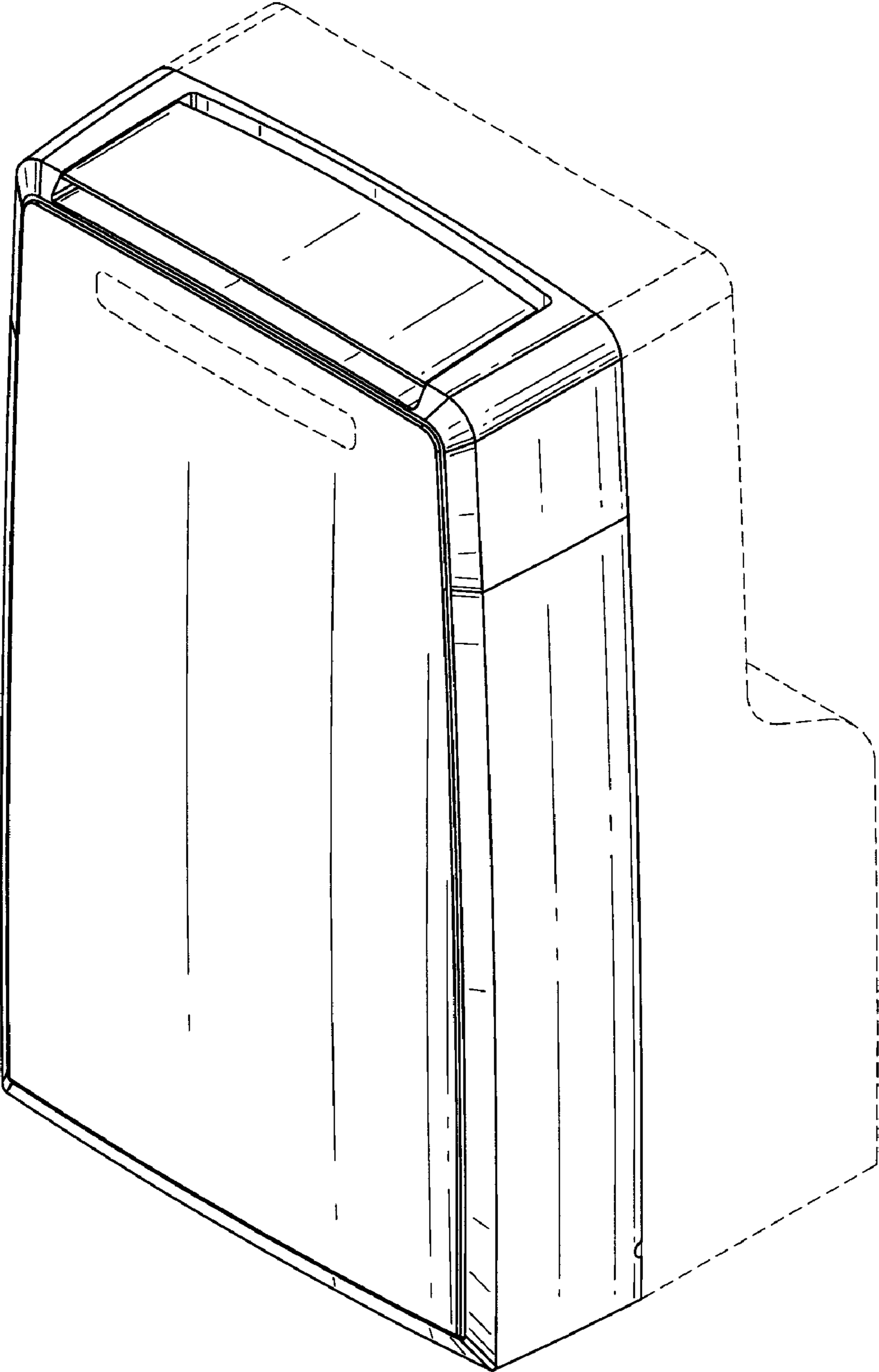


FIG. 1

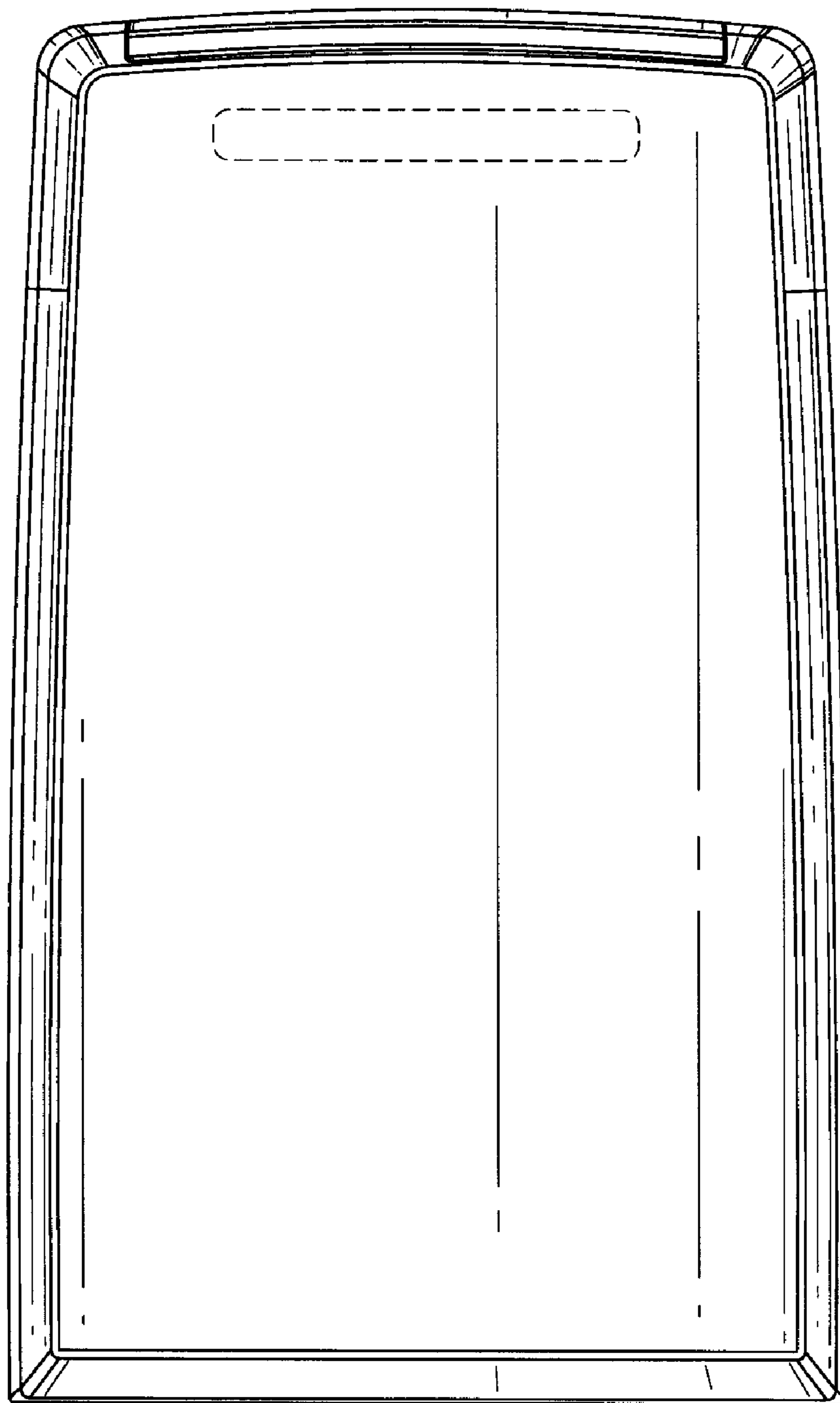


FIG. 2

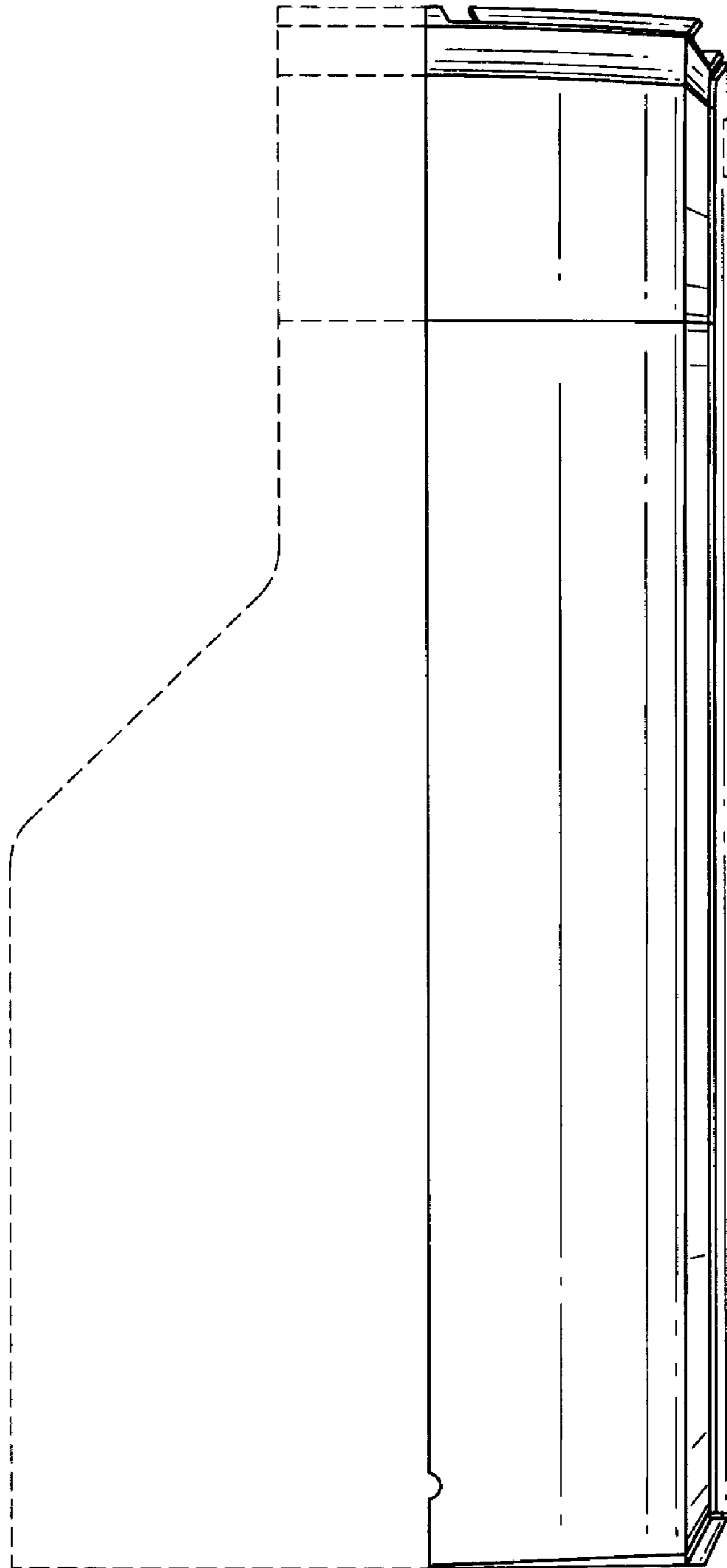


FIG. 3

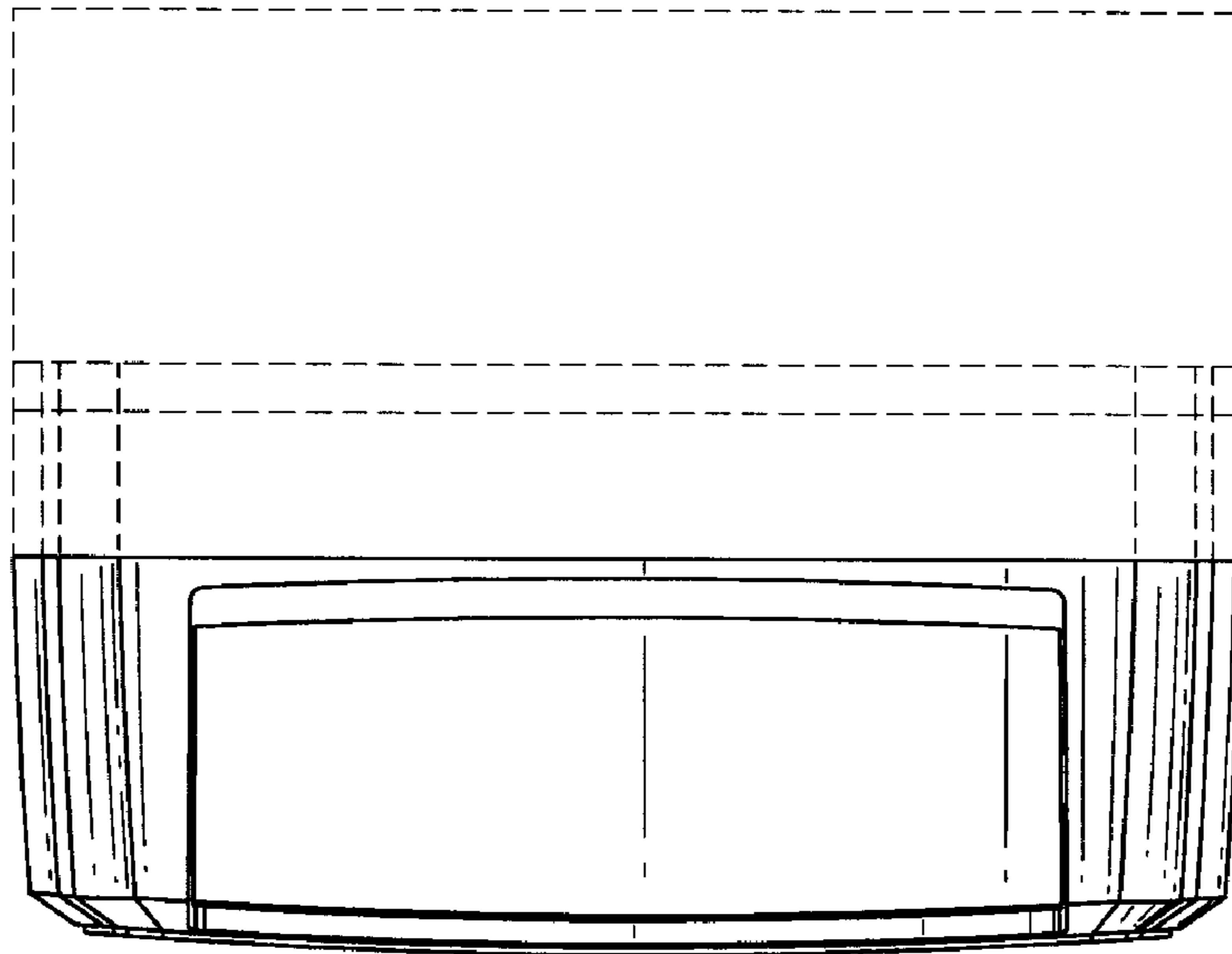


FIG. 4

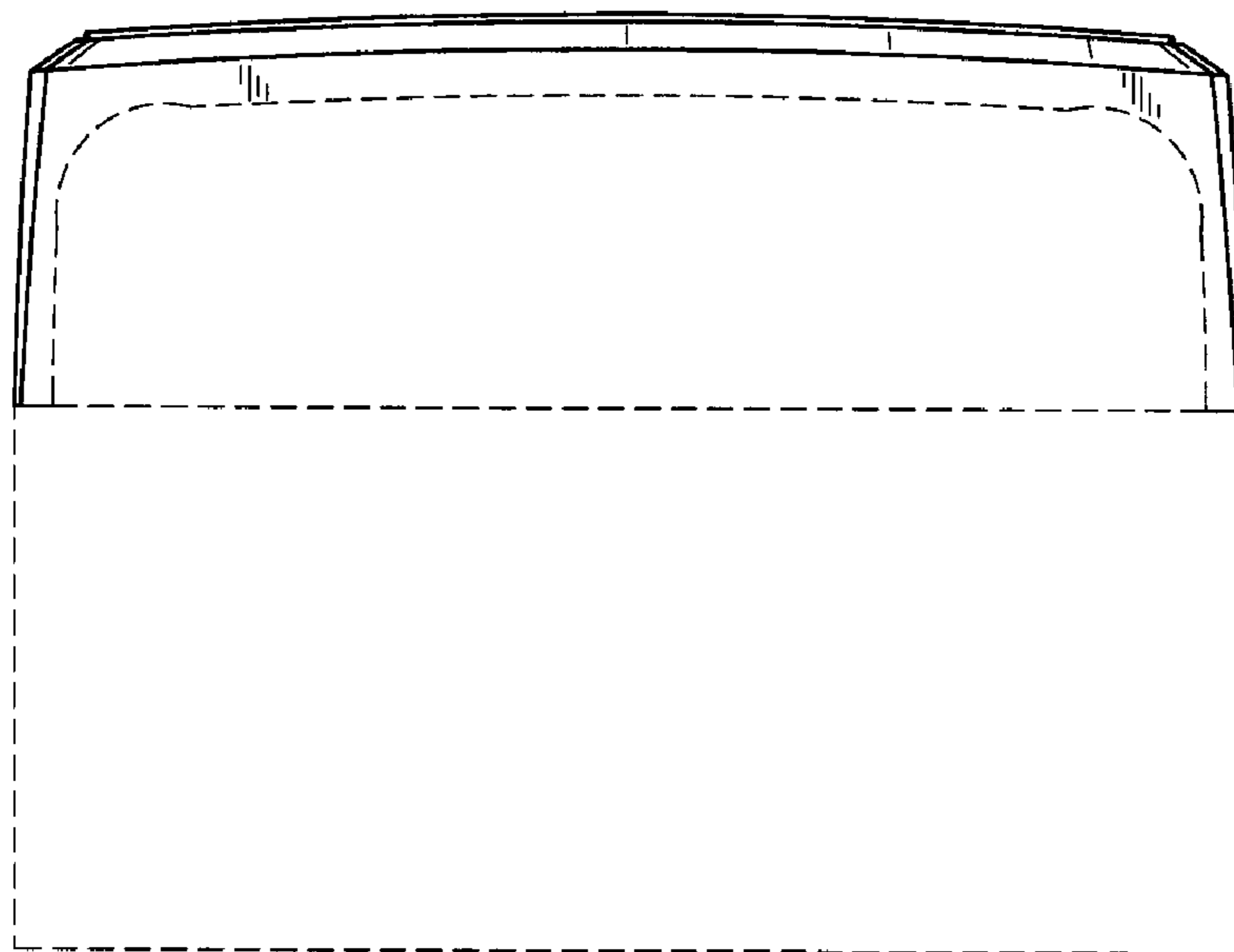


FIG. 5

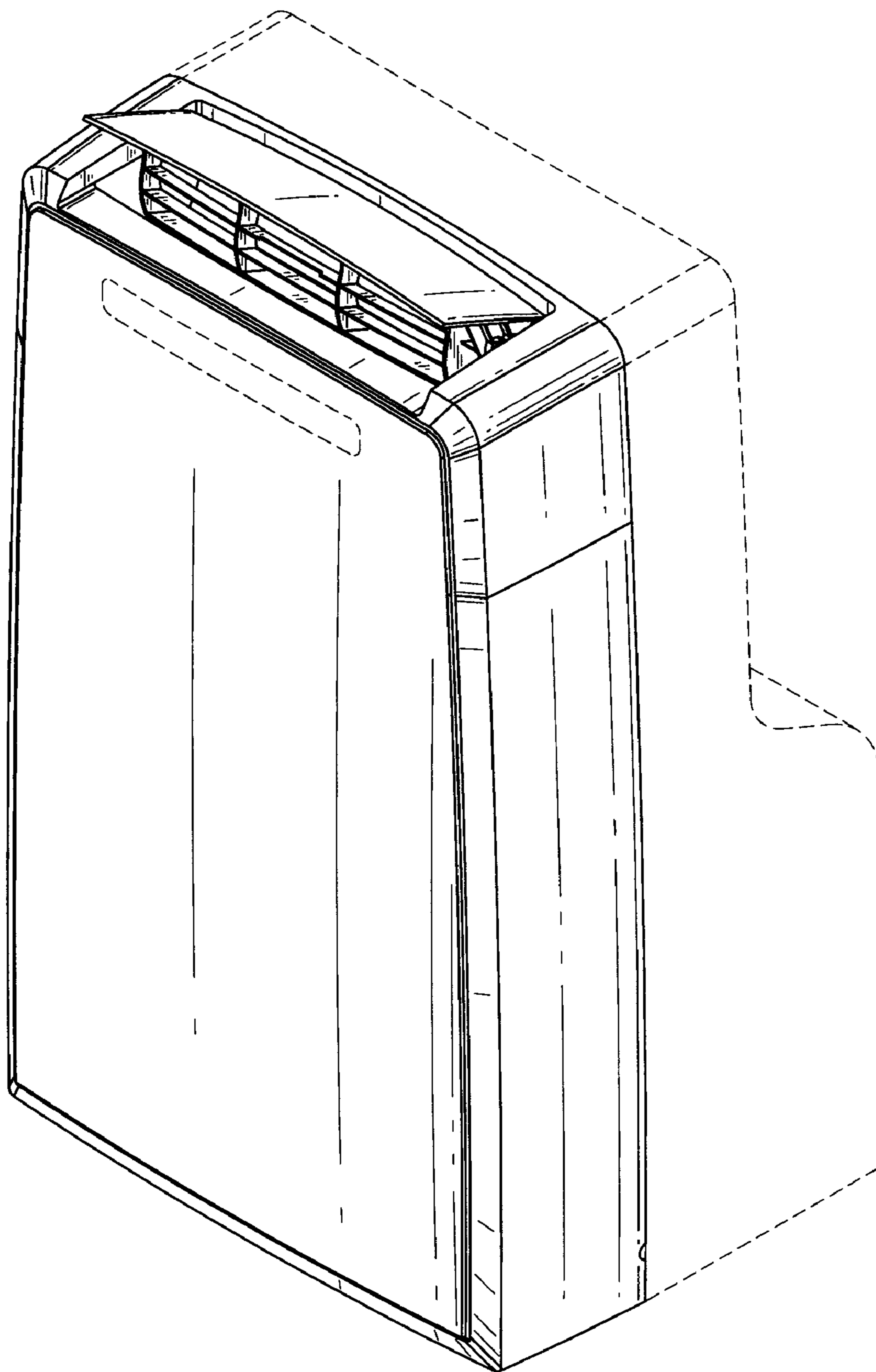


FIG. 6