



US00D660946S

(12) **United States Design Patent**  
**Sengoku et al.**

(10) **Patent No.:** **US D660,946 S**

(45) **Date of Patent:** **\*\* May 29, 2012**

(54) **PORTABLE GAS HEATER**

(56) **References Cited**

(75) Inventors: **Tadashi Sengoku, Kasai (JP); Takehira Sengoku, Kasai (JP)**

U.S. PATENT DOCUMENTS

D145,913 S *	11/1946	Swartzbaugh	.....	D23/335
D300,774 S *	4/1989	Sakai	.....	D23/338
D391,345 S *	2/1998	Mandir et al.	.....	D23/339
6,884,065 B2 *	4/2005	Vandrak et al.	.....	432/222

(73) Assignee: **Sengoku Co., Ltd., Hyogo-Ken (JP)**

\* cited by examiner

(\*\*) Term: **14 Years**

*Primary Examiner* — T. Chase Nelson

*Assistant Examiner* — Ania Aman

(21) Appl. No.: **29/409,736**

(74) *Attorney, Agent, or Firm* — DLA Piper LLP (US)

(22) Filed: **Dec. 28, 2011**

(57) **CLAIM**

The ornamental design for a portable gas heater, as shown and described.

(30) **Foreign Application Priority Data**

**DESCRIPTION**

Oct. 17, 2011 (JP) ..... 2011-025553

FIG. 1 is a front elevational view of a portable gas heater showing our new design;

(51) **LOC (9) Cl.** ..... **23-04**

FIG. 2 is a rear elevational view thereof;

(52) **U.S. Cl.** ..... **D23/332**

FIG. 3 is a left side elevational view thereof;

(58) **Field of Classification Search** ..... D23/317,

FIG. 4 is a right side elevational view thereof;

D23/314, 332, 333, 334, 335, 337, 342, 351,

FIG. 5 is a top plan view thereof; and

D23/355, 378, 370, 381, 364, 336, 341; 416/244 R,

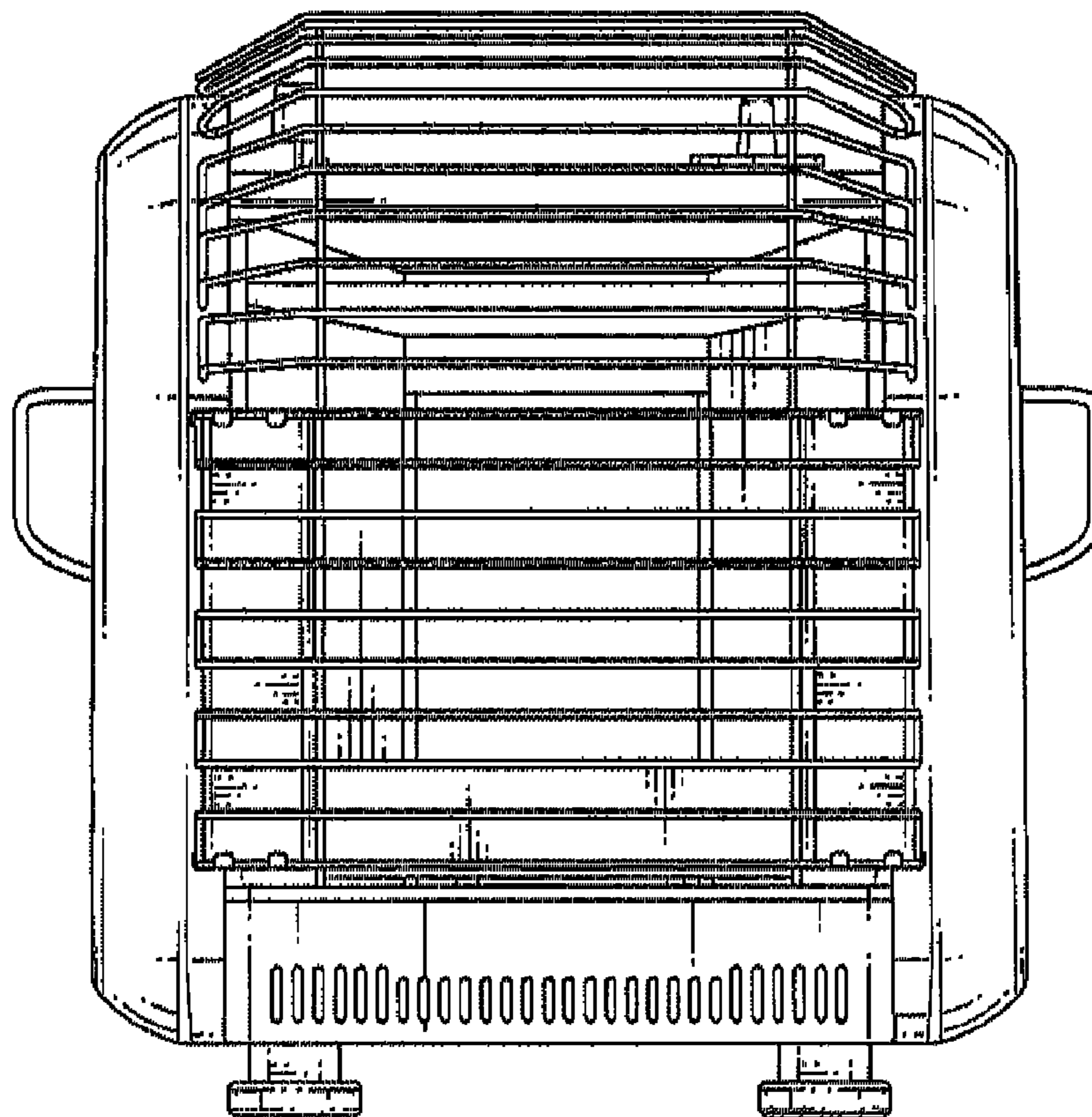
FIG. 6 is a bottom plan view thereof; and,

416/247 R, 53.1–53.3; 392/365, 367

FIG. 7 is a perspective view taken from the front, top and right side thereof.

See application file for complete search history.

**1 Claim, 4 Drawing Sheets**



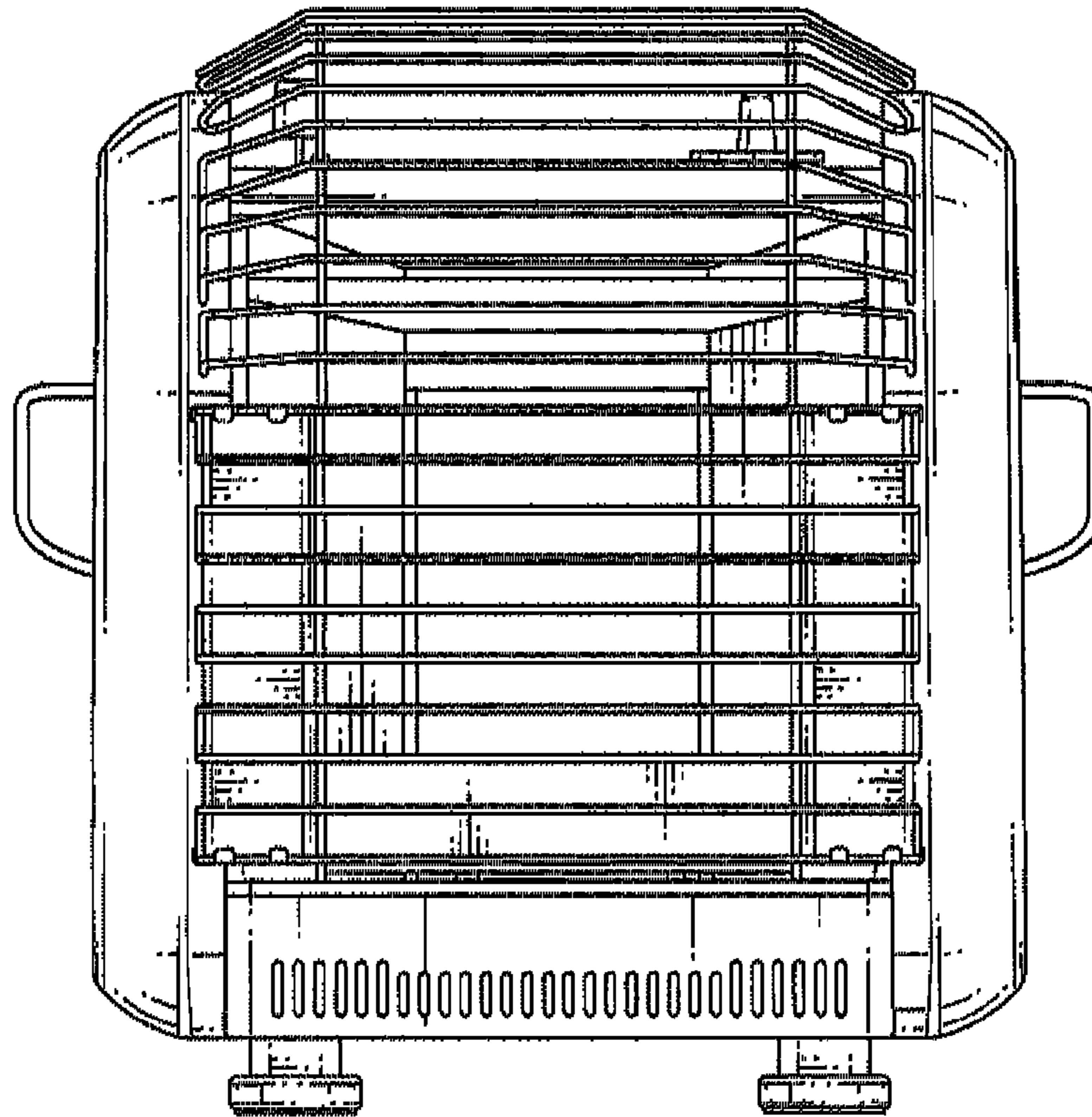


FIG. 1

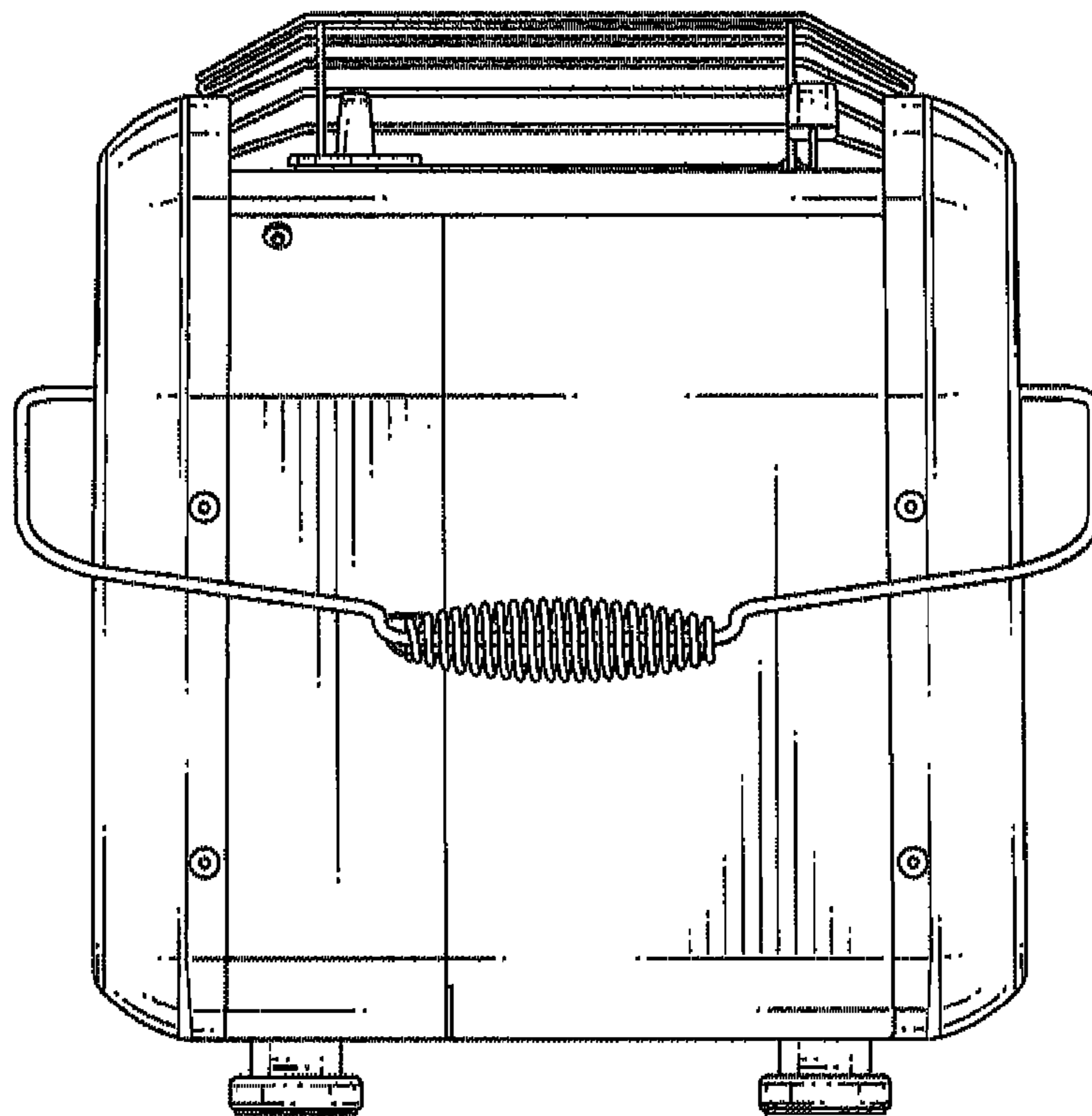


FIG. 2

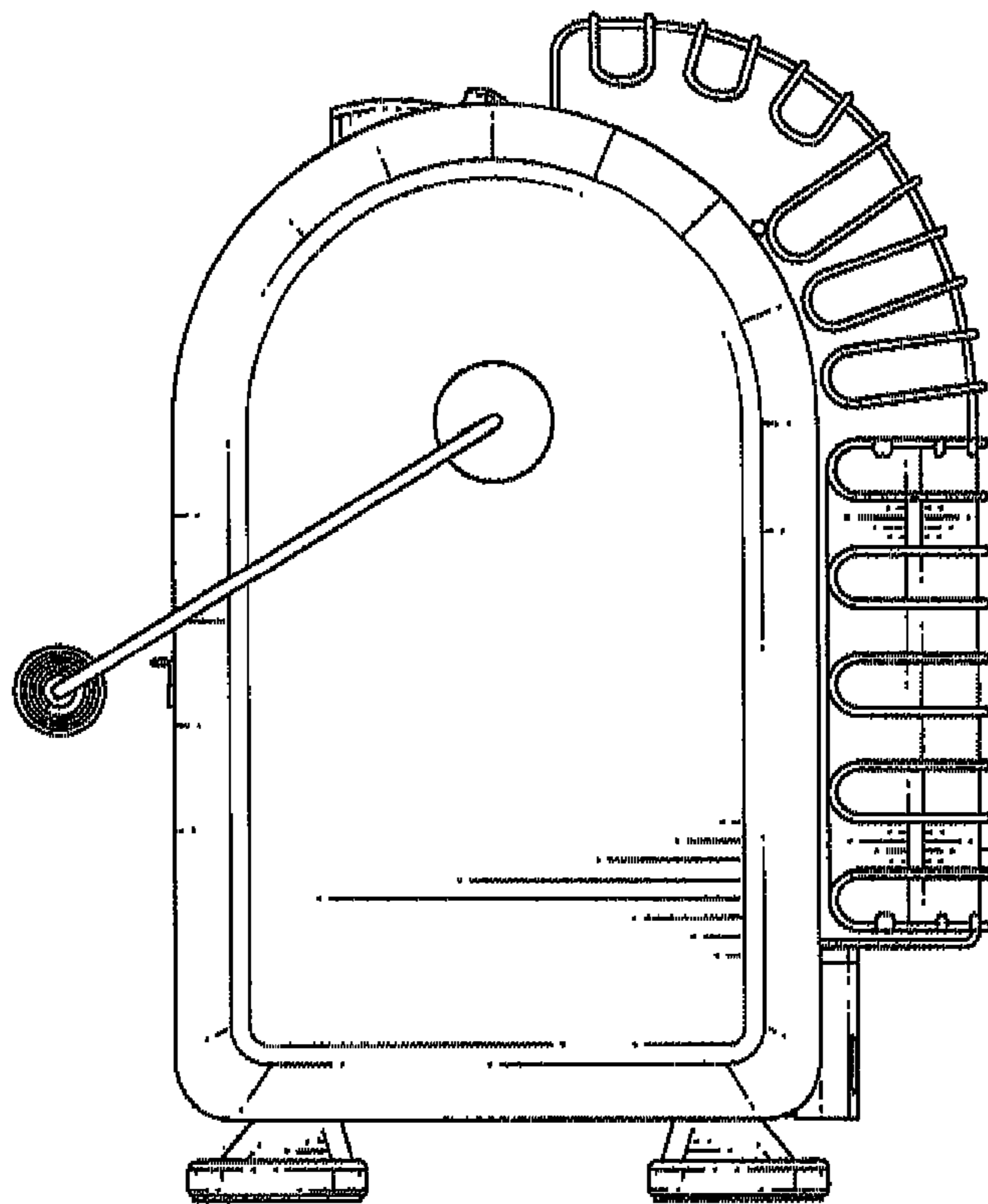


FIG. 3

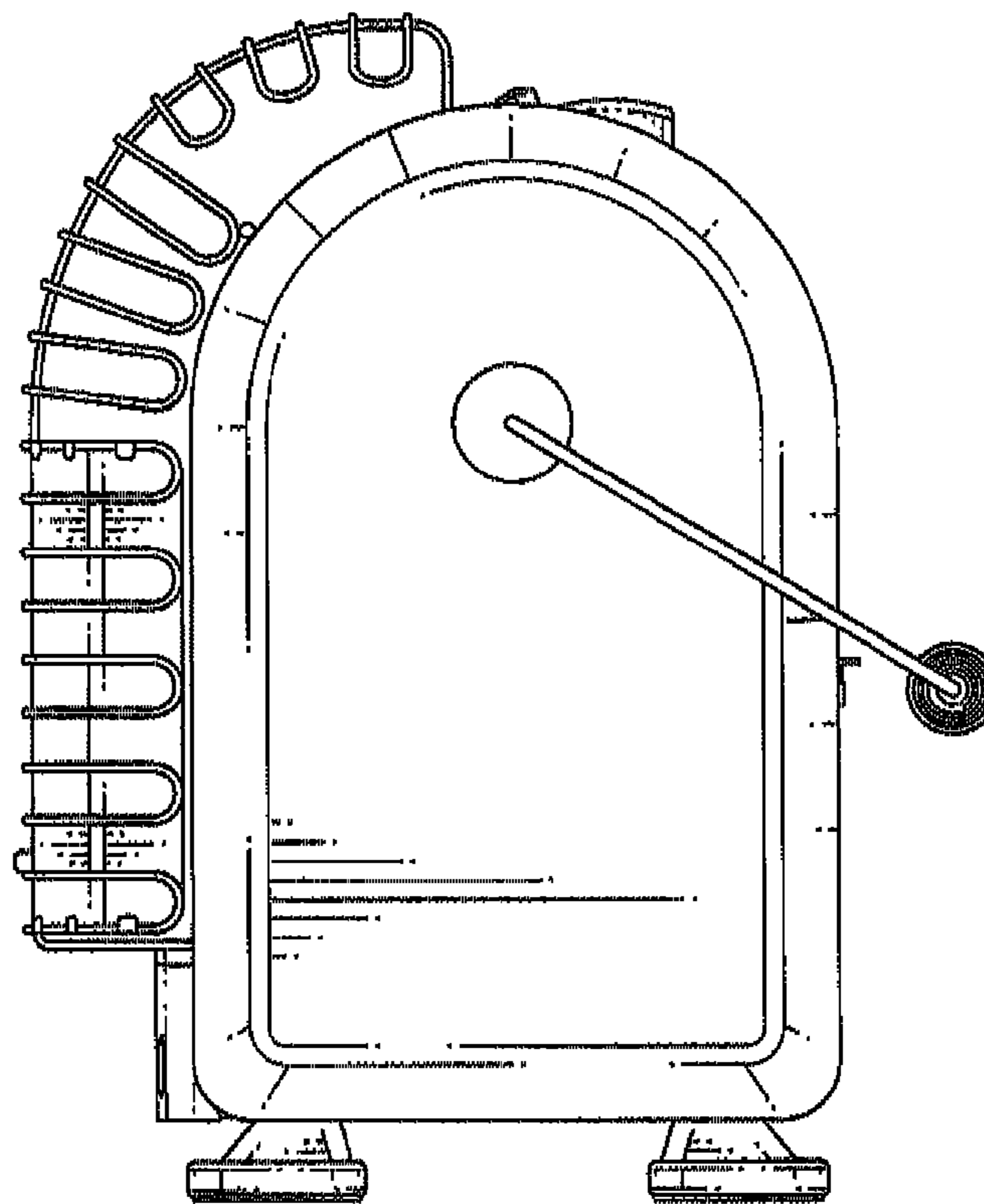


FIG. 4

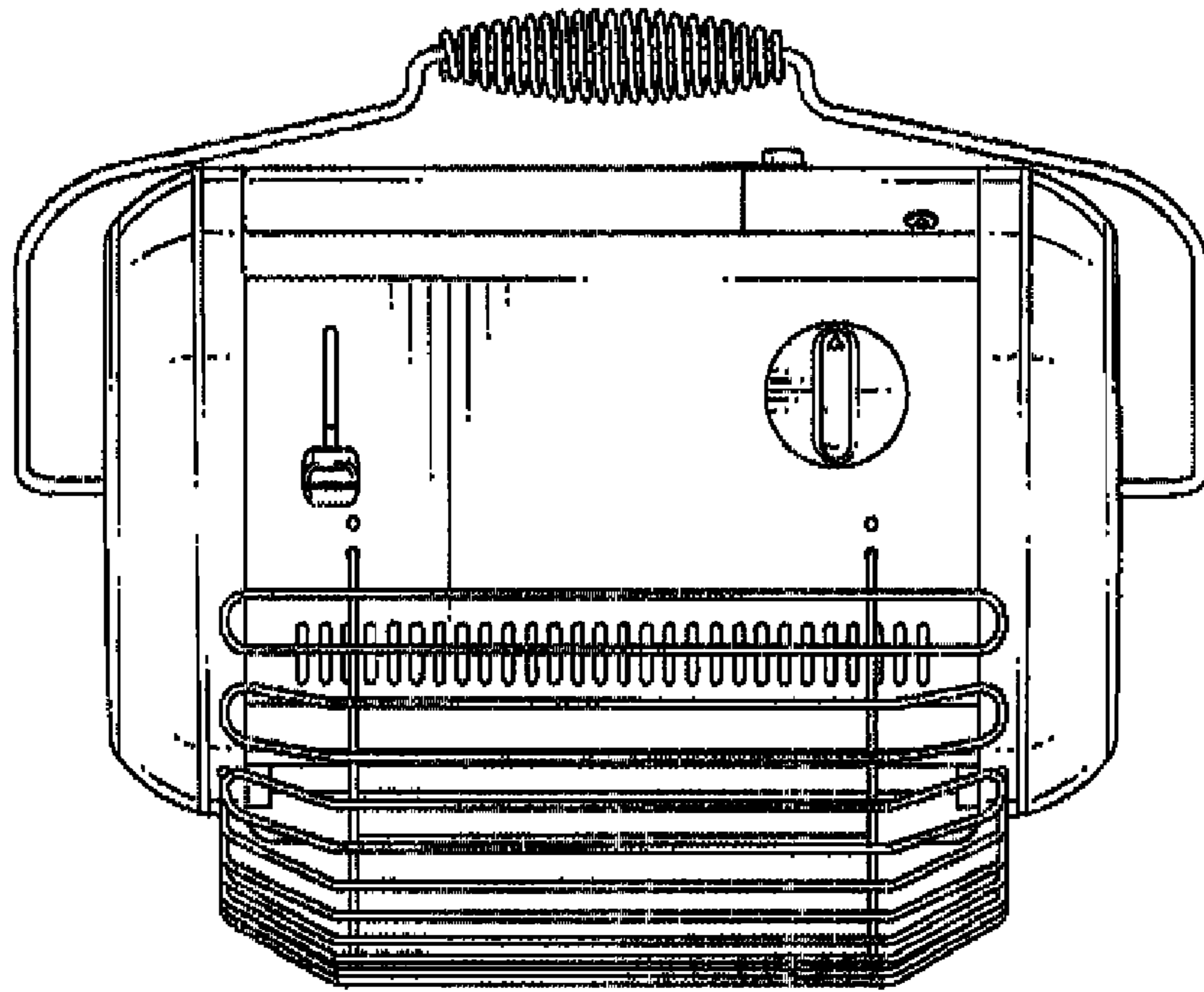


FIG. 5

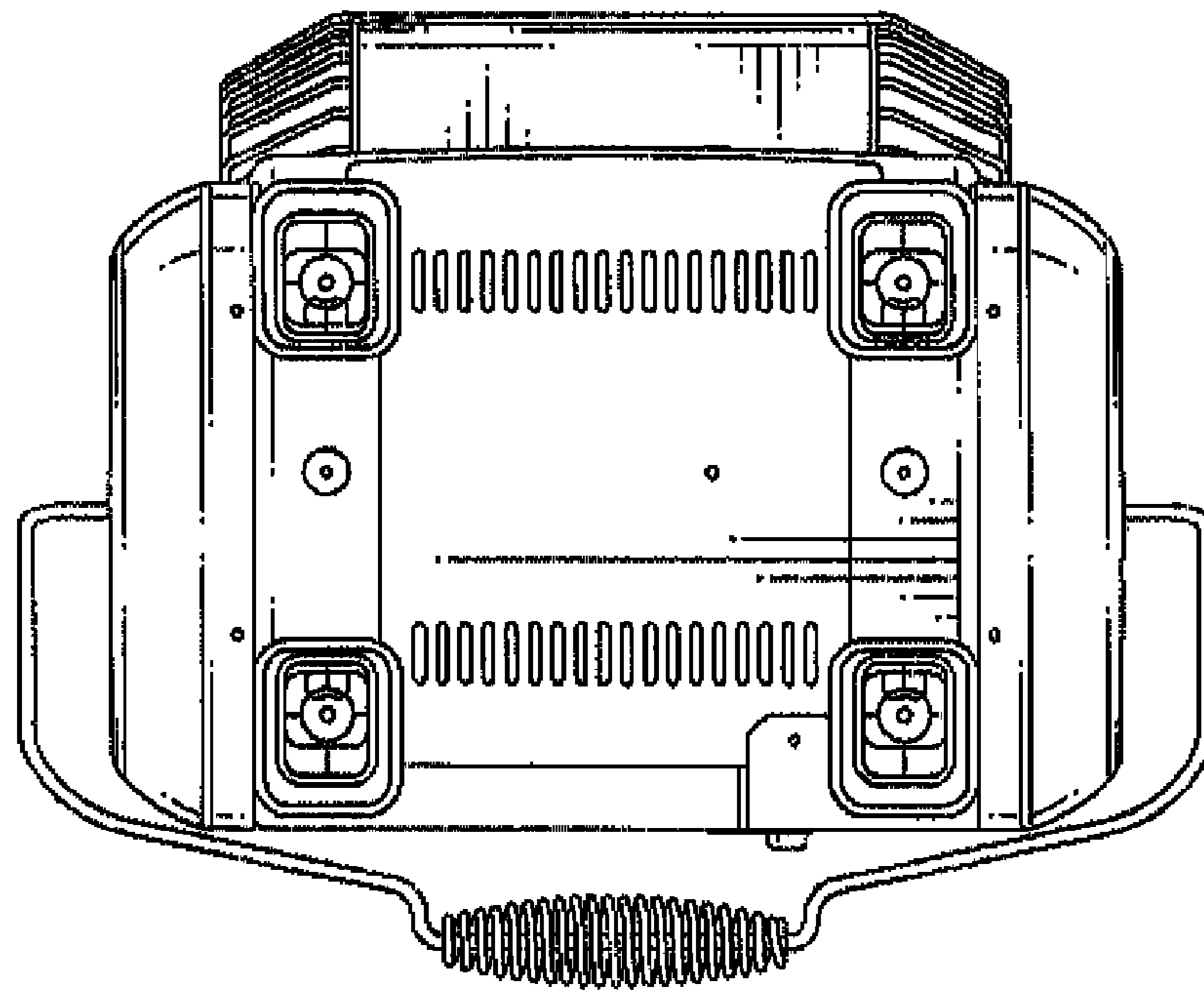


FIG. 6

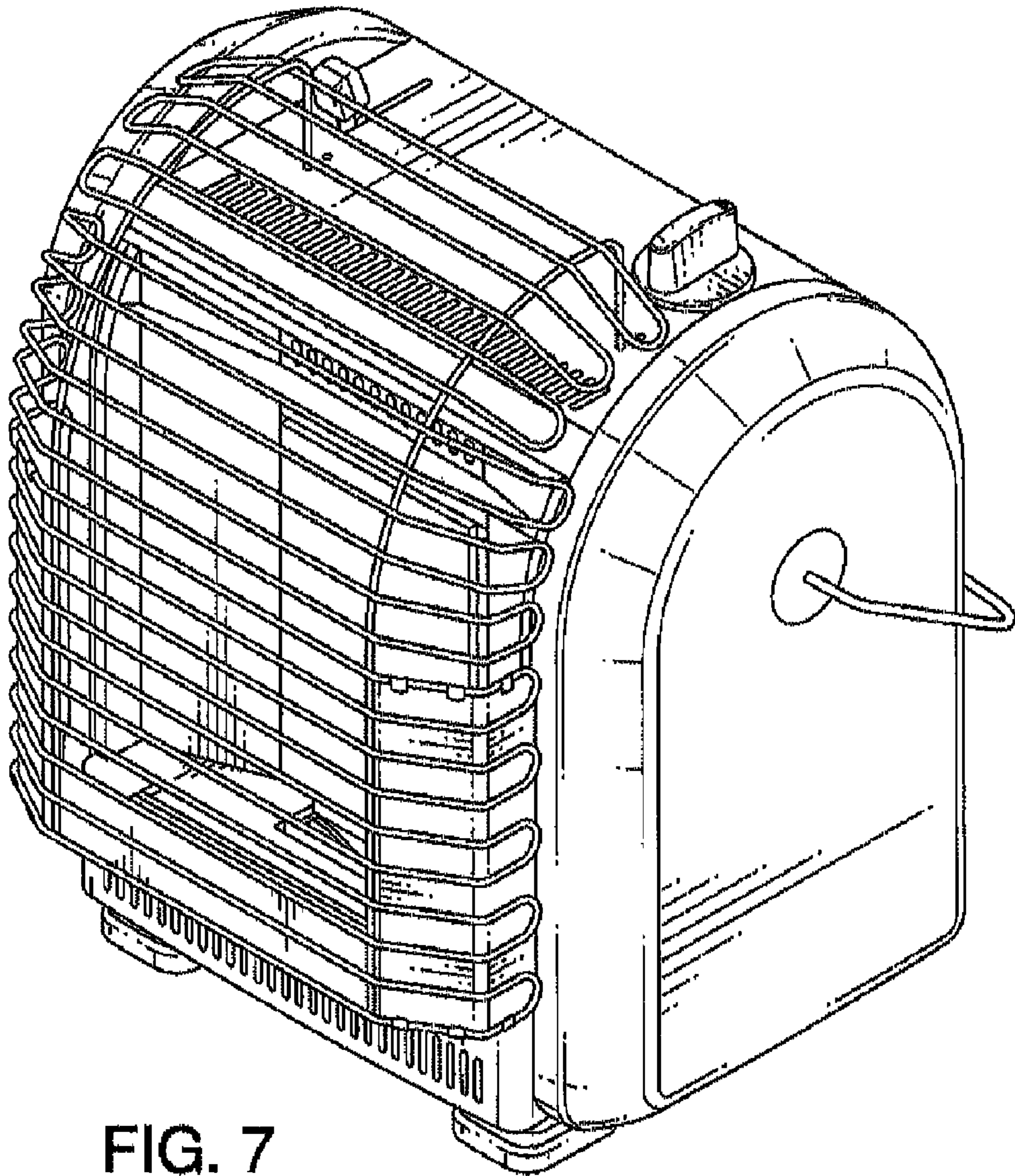


FIG. 7