



US00D660944S

(12) **United States Design Patent**
Lammel et al.

(10) **Patent No.:** **US D660,944 S**

(45) **Date of Patent:** **** May 29, 2012**

(54) **FAUCET**

(75) Inventors: **Michael Lammel**, Aachen (DE);
Michael Zeisel, Aachen (DE)

(73) Assignee: **KWC AG**, Unterkulm (CH)

(**) Term: **14 Years**

(21) Appl. No.: **29/408,454**

(22) Filed: **Dec. 13, 2011**

Related U.S. Application Data

(62) Division of application No. 29/382,048, filed on Dec. 28, 2010.

(30) **Foreign Application Priority Data**

Jul. 8, 2010 (WO) D555265201

(51) **LOC (9) Cl.** **23-01**

(52) **U.S. Cl.** **D23/255**

(58) **Field of Classification Search** D23/238,
D23/241–243, 255, 257; 4/676–678; 137/801
See application file for complete search history.

(56) **References Cited**

U.S. PATENT DOCUMENTS

D441,836 S 5/2001 Mark et al.
D443,337 S 6/2001 Mark et al.
D468,397 S 1/2003 Czerwinski, Jr.
D473,630 S 4/2003 Wettstein et al.

D487,798 S 3/2004 Bayer
D513,788 S 1/2006 Lindholm
D514,665 S 2/2006 Lindholm
D519,190 S 4/2006 Lord
D532,483 S 11/2006 Lobermeier et al.
D539,870 S 4/2007 Lammel et al.
D566,238 S 4/2008 Lammel et al.
D603,021 S 10/2009 Roy
D612,015 S 3/2010 Lammel et al.
D612,910 S 3/2010 Lammel et al.
D622,361 S 8/2010 Lammel et al.
D629,873 S 12/2010 Roy
D636,852 S 4/2011 Yu

Primary Examiner — Robert Delehanty

(74) *Attorney, Agent, or Firm* — Oblon, Spivak,
McClelland, Maier & Neustadt, L.L.P.

(57) **CLAIM**

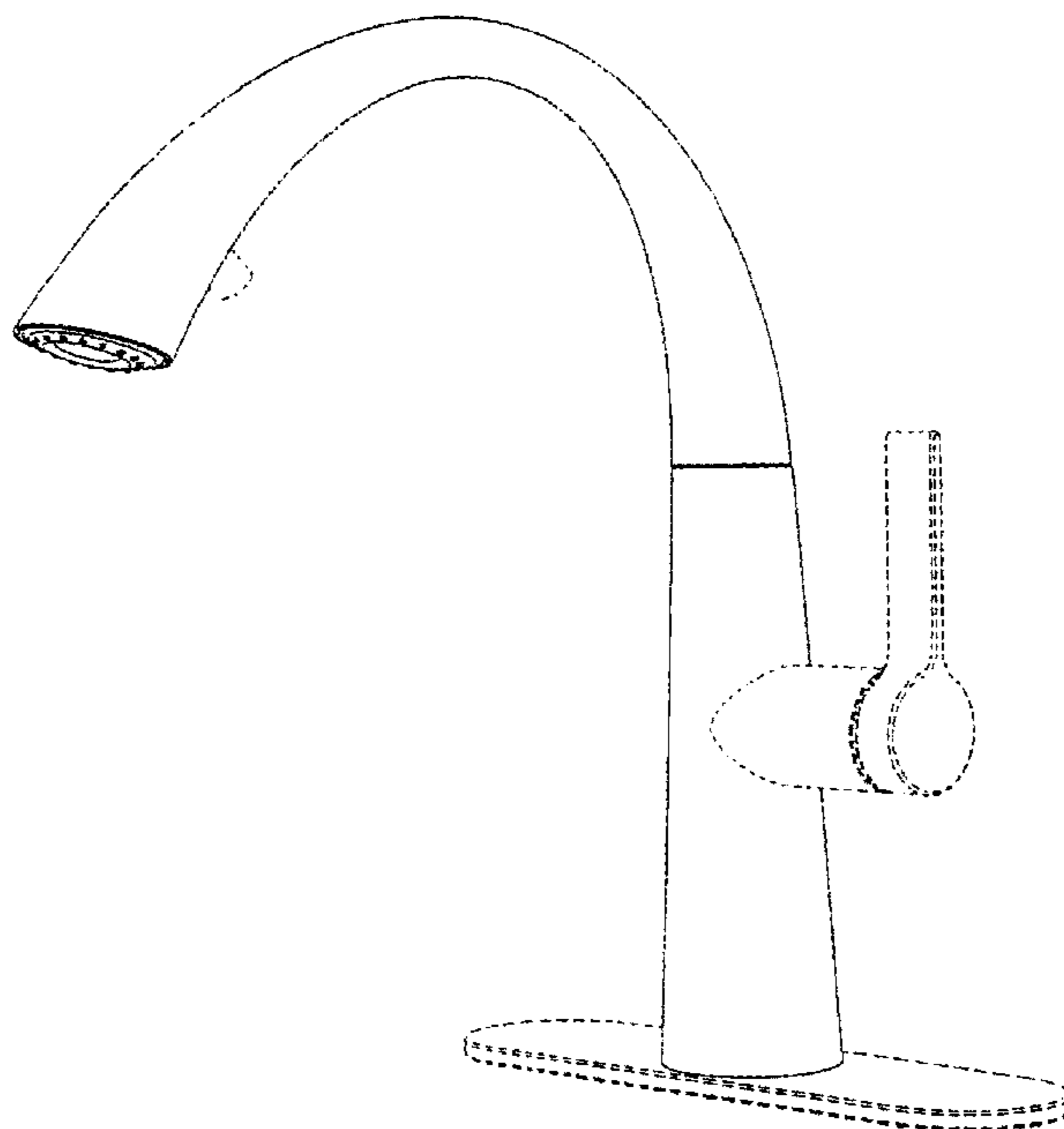
The new, original, and ornamental design for a faucet, as shown and described.

DESCRIPTION

FIG. 1 is a right, front perspective view of a faucet according to an embodiment of the invention;
FIG. 2 is a left, front perspective view thereof;
FIG. 3 is a front elevational view thereof;
FIG. 4 is a rear elevational view thereof;
FIG. 5 is a right elevational view thereof; and
FIG. 6 is a left elevational view thereof;
FIG. 7 is a top plan view thereof; and,
FIG. 8 is a bottom plan view thereof.

The broken lines in the drawings depict environmental subject matter only and form no part of the claimed design.

1 Claim, 8 Drawing Sheets



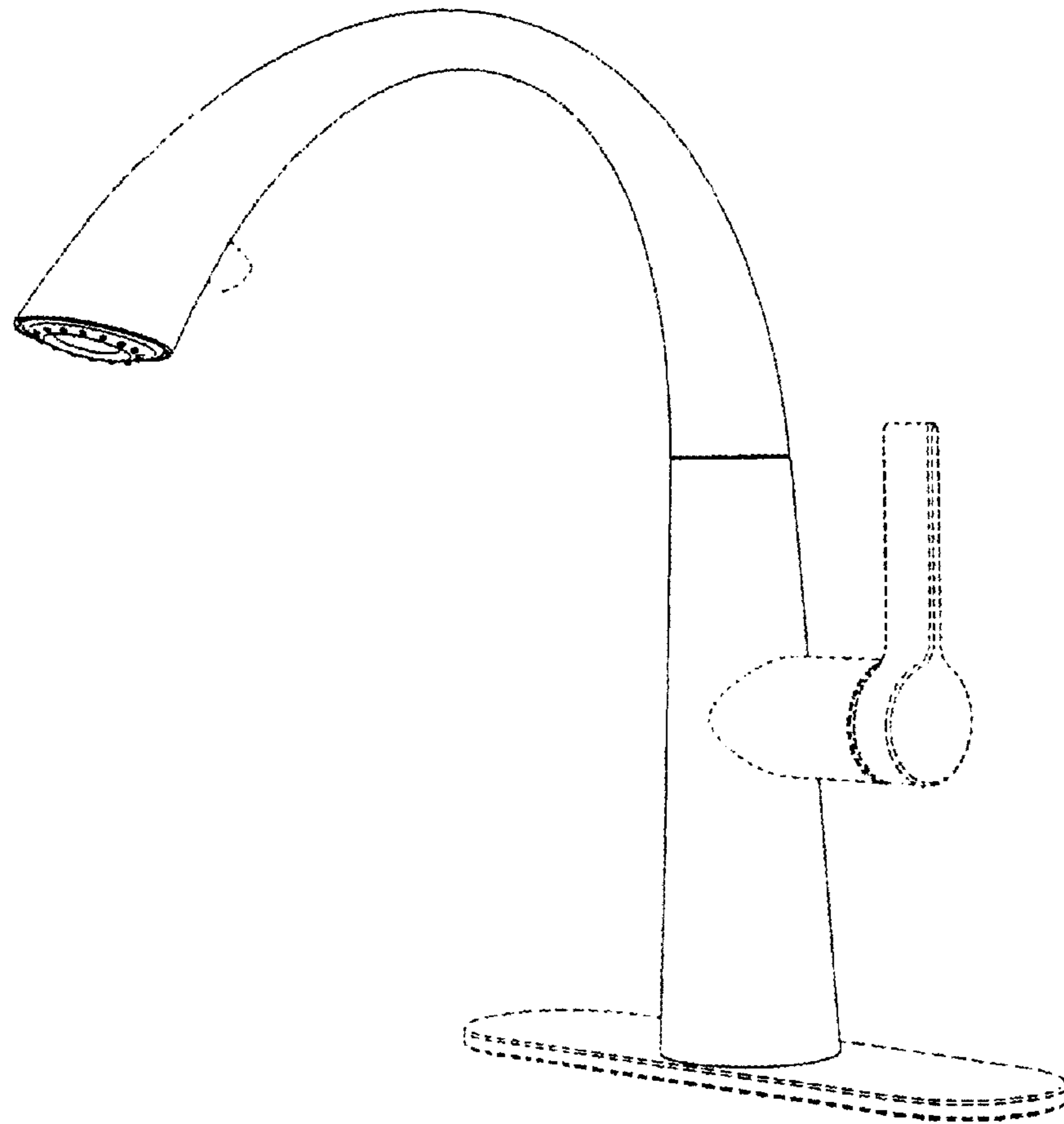


FIG. 1

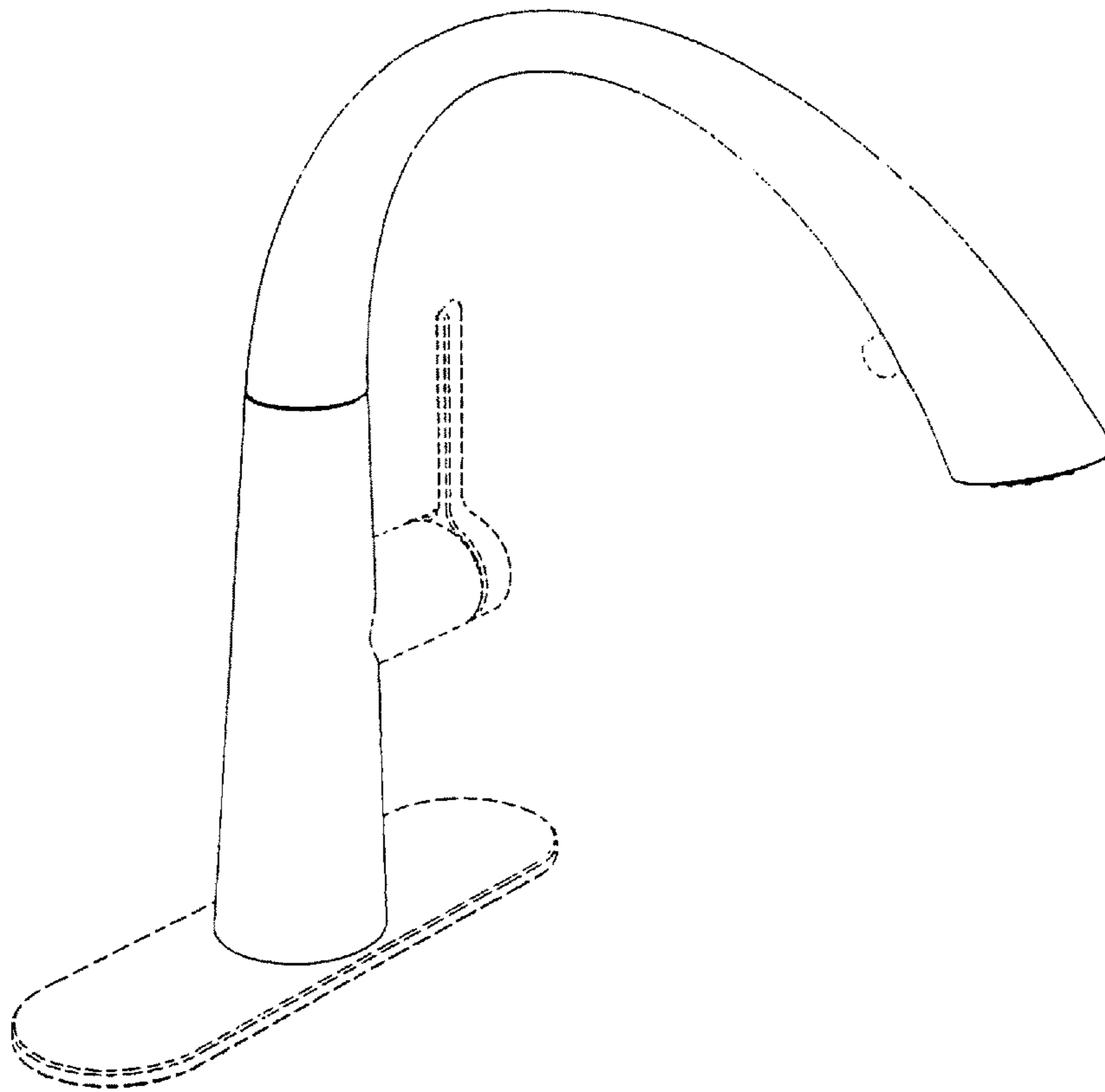


FIG. 2

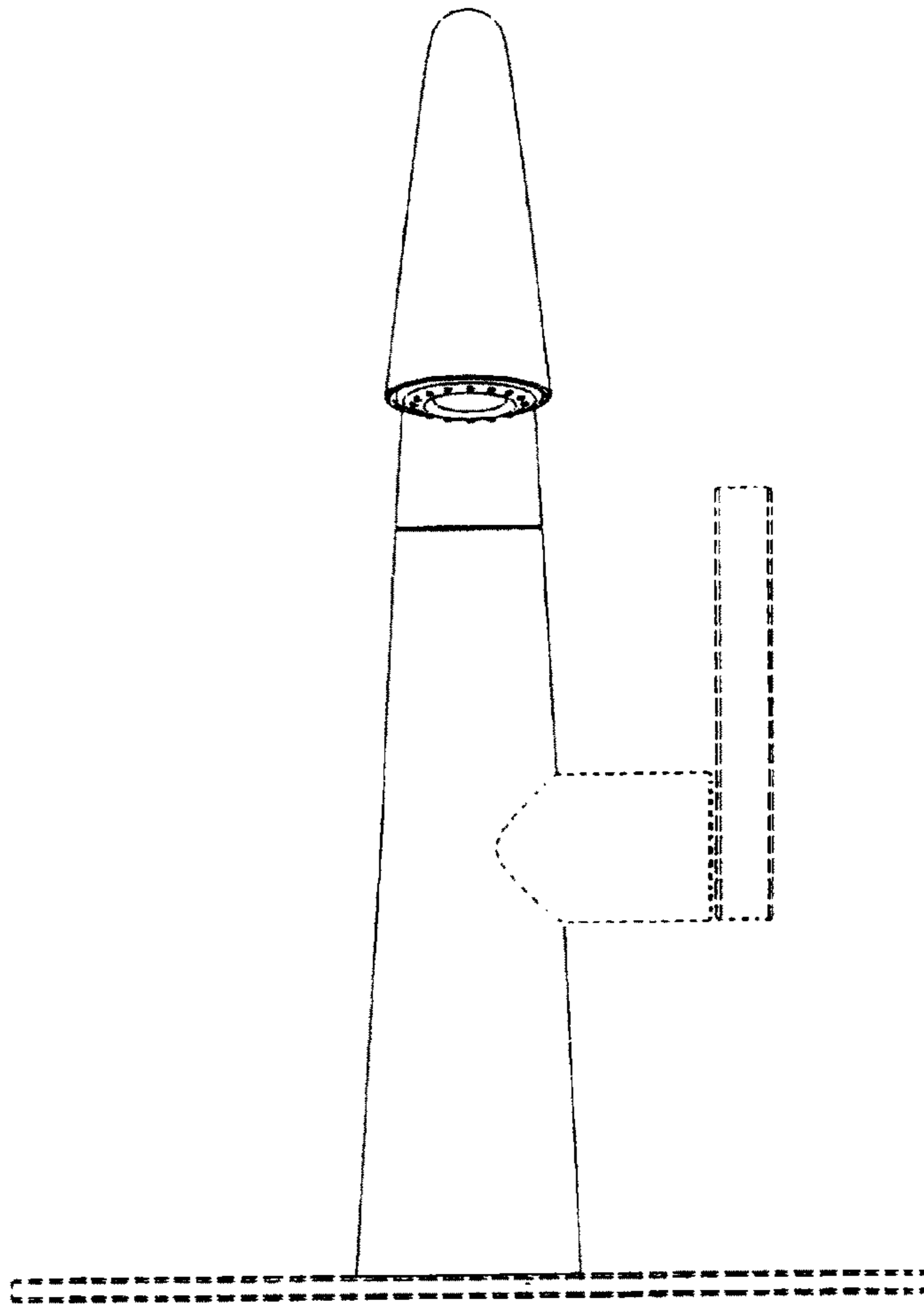


FIG. 3

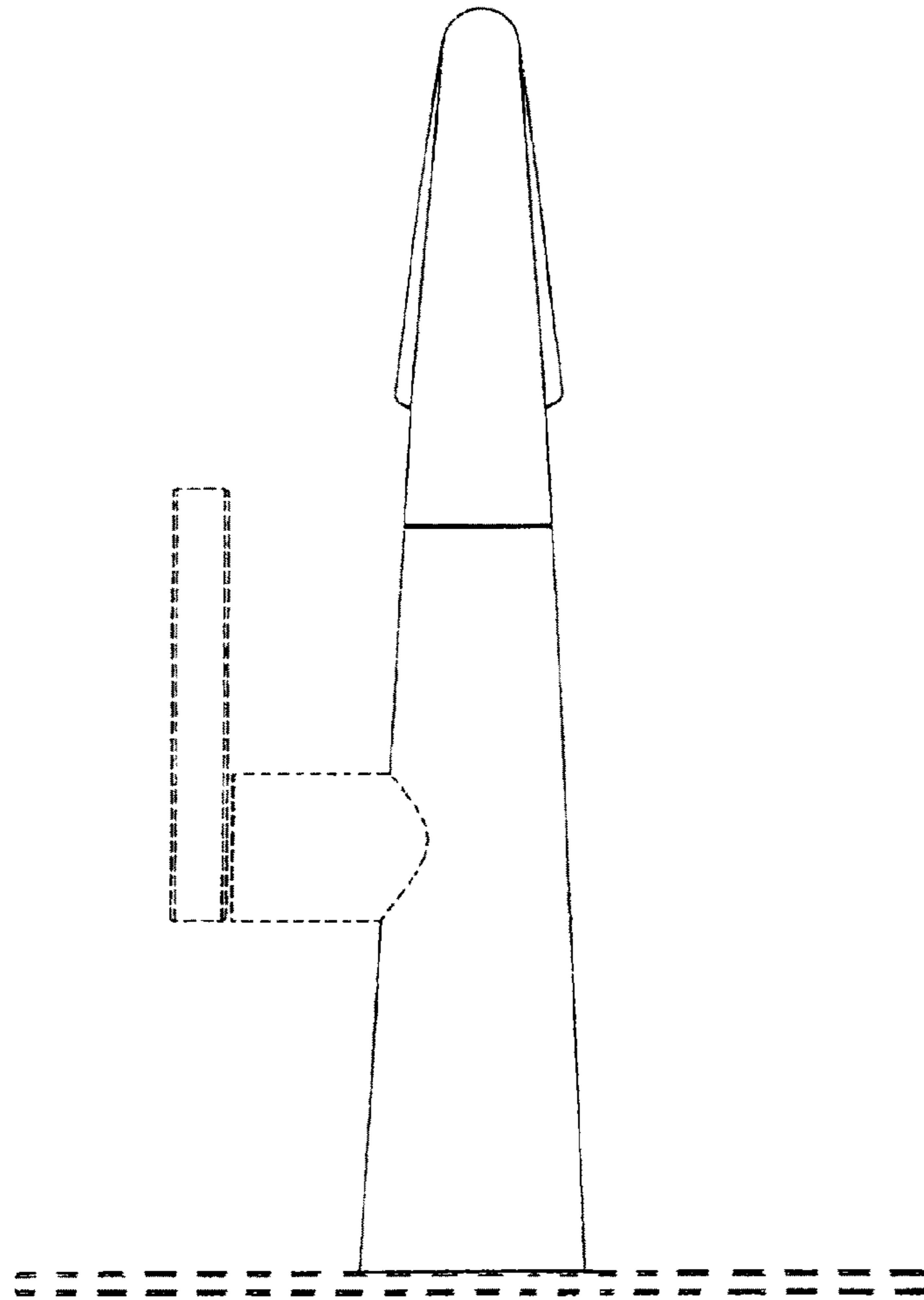


FIG. 4

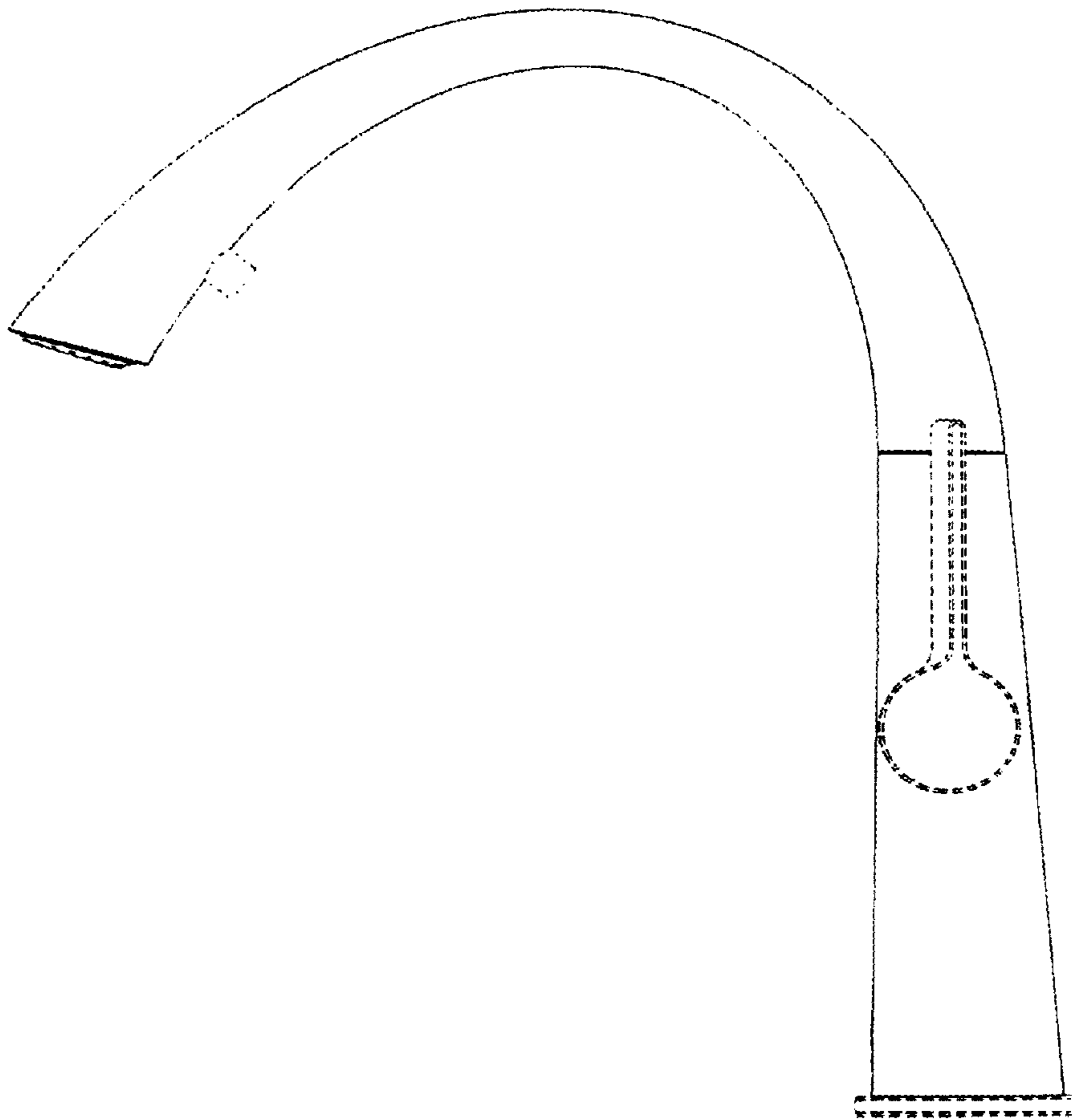


FIG. 5

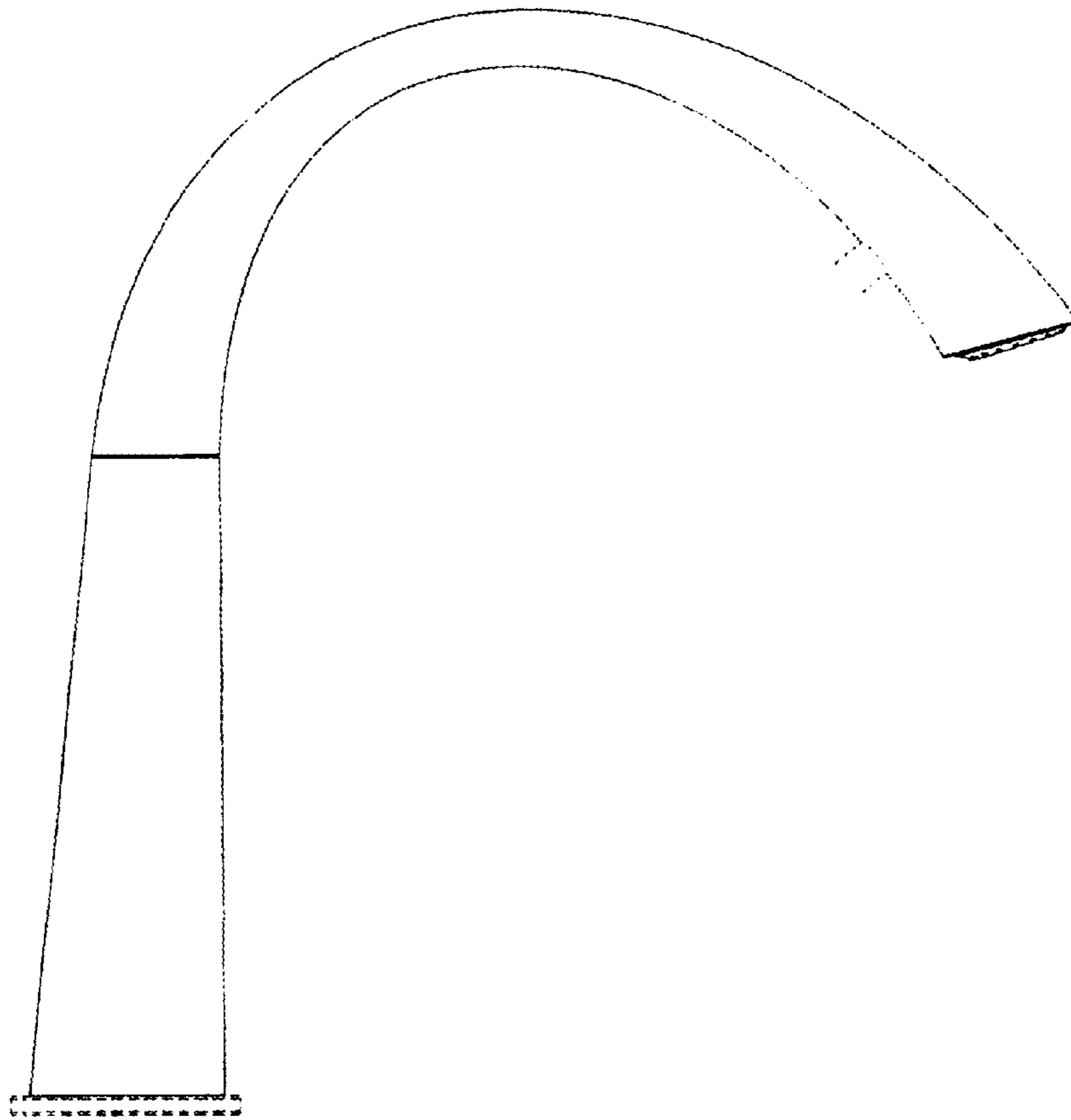


FIG. 6

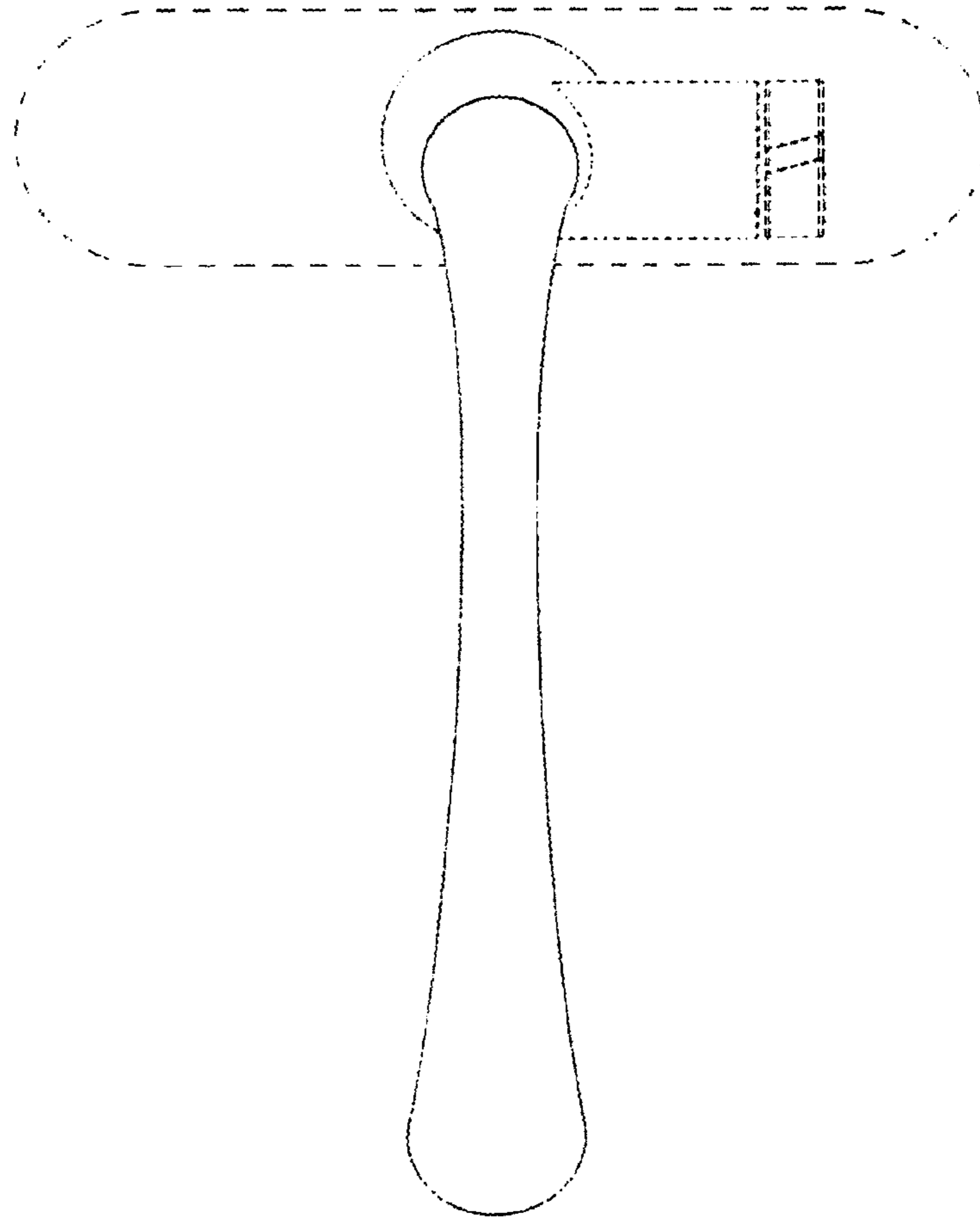


FIG. 7

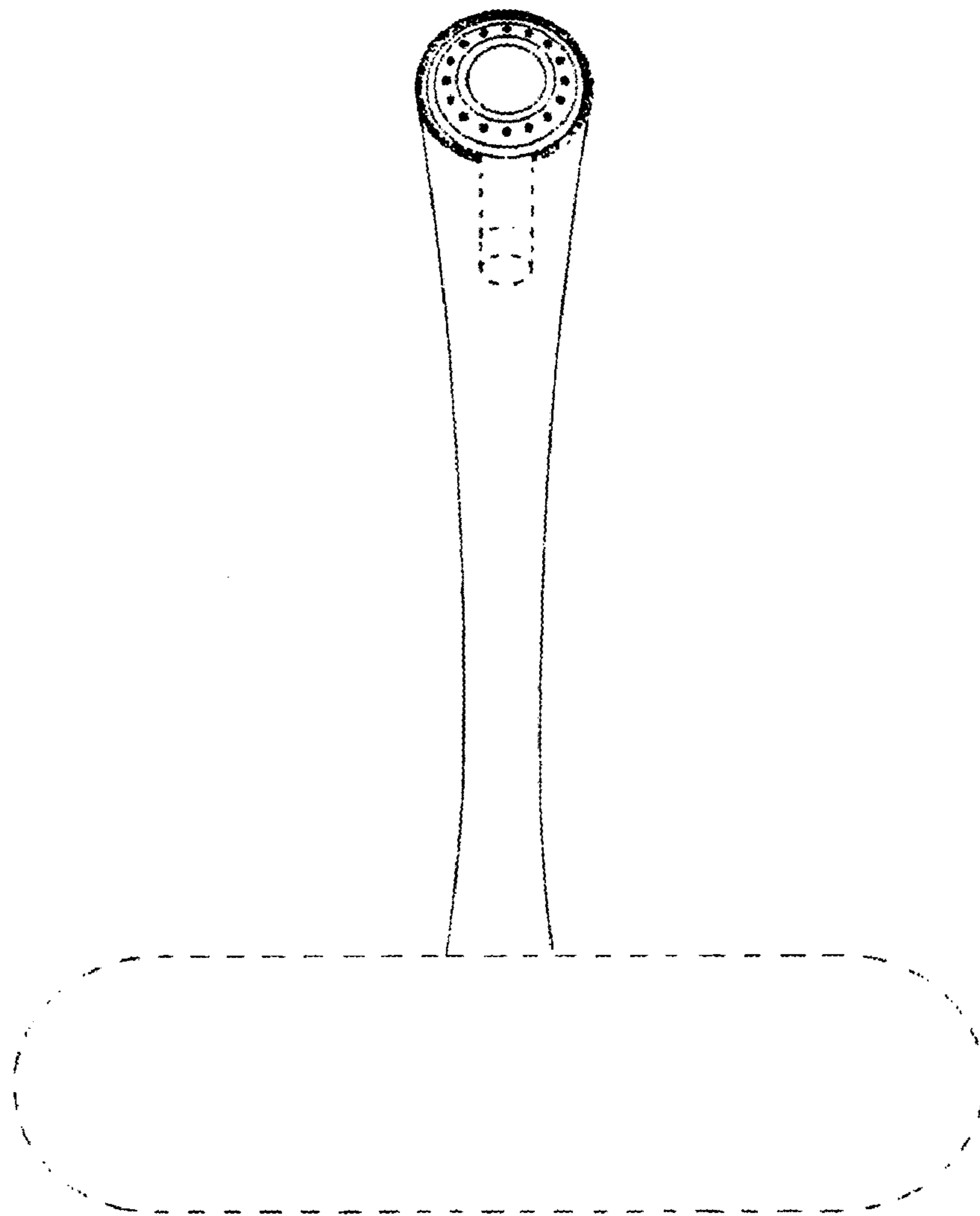


FIG. 8