



US00D660942S

(12) **United States Design Patent**
Hudson et al.

(10) **Patent No.:** **US D660,942 S**

(45) **Date of Patent:** **** May 29, 2012**

(54) **SPRAYER**

(75) Inventors: **William A. Hudson**, Fox Point, WI (US); **Wayne J. Beissel**, Hastings, MN (US); **Steve Downing**, Shell Rock, IA (US)

(73) Assignee: **H.D. Hudson Manufacturing Company**, Chicago, IL (US)

(**) Term: **14 Years**

(21) Appl. No.: **29/378,284**

(22) Filed: **Nov. 2, 2010**

(51) **LOC (9) Cl.** **23-01**

(52) **U.S. Cl.** **D23/225**

(58) **Field of Classification Search** D23/213, D23/223, 225; 239/302, 316, 317, 332, 333
See application file for complete search history.

(56) **References Cited**

U.S. PATENT DOCUMENTS

D418,201	S	*	12/1999	Shanklin et al.	D23/225
6,113,003	A	*	9/2000	Condon	239/142
D542,373	S	*	5/2007	Cooper	D23/225
D614,263	S	*	4/2010	Hudson et al.	D23/225
D639,389	S	*	6/2011	Plantz et al.	D23/225

* cited by examiner

Primary Examiner — Robin V Webster

(74) *Attorney, Agent, or Firm* — Marshall, Gerstein & Borun LLP; Richard M. LaBarge

(57) **CLAIM**

The ornamental design for a sprayer, as shown and described.

DESCRIPTION

FIG. 1 is a front, left side, and top perspective view of a sprayer that has the design.

FIG. 2 is a front, right side, and top perspective view of the sprayer.

FIG. 3 is a back, right side, and top perspective view of the sprayer.

FIG. 4 is a front elevation of the sprayer.

FIG. 5 is a right side elevation of the sprayer.

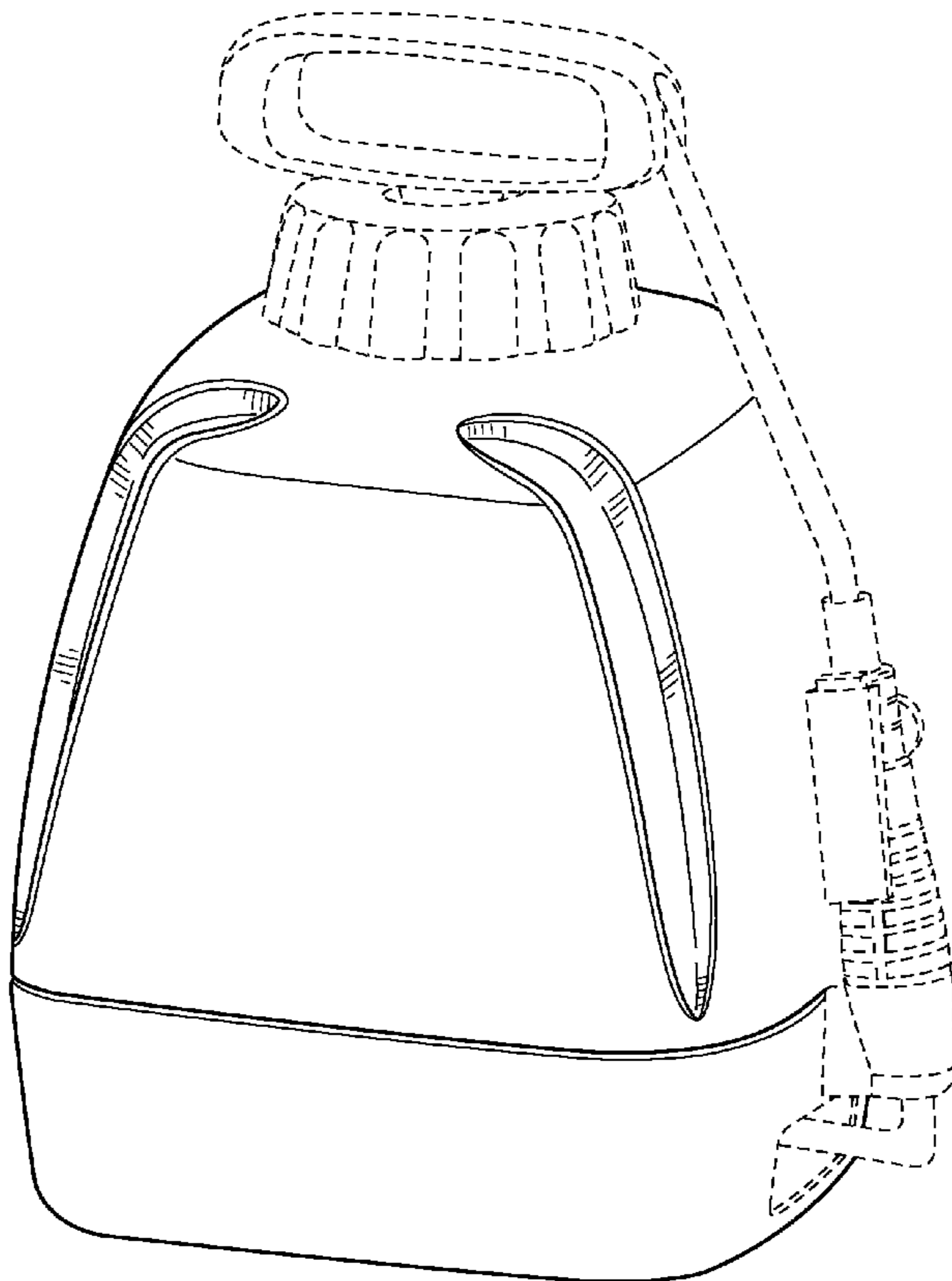
FIG. 6 is a back elevation of the sprayer.

FIG. 7 is a left side elevation of the sprayer.

FIG. 8 is a top plan view of the sprayer; and,

FIG. 9 is a perspective view of the bottom part of the sprayer. The broken line showing of parts of the sprayer is to illustrate unclaimed parts of the sprayer, and forms no part of the claimed design.

1 Claim, 9 Drawing Sheets



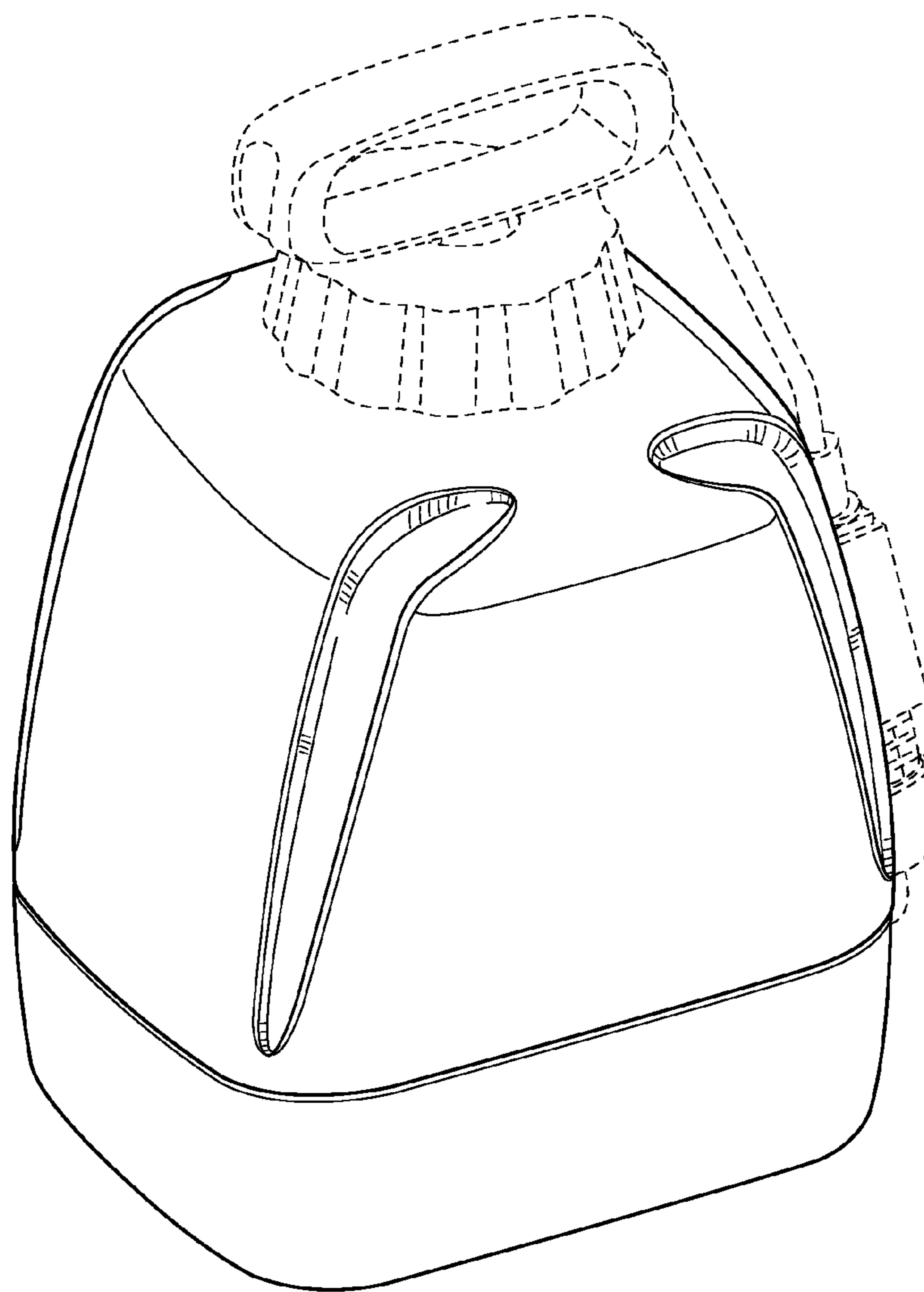


FIG. 1

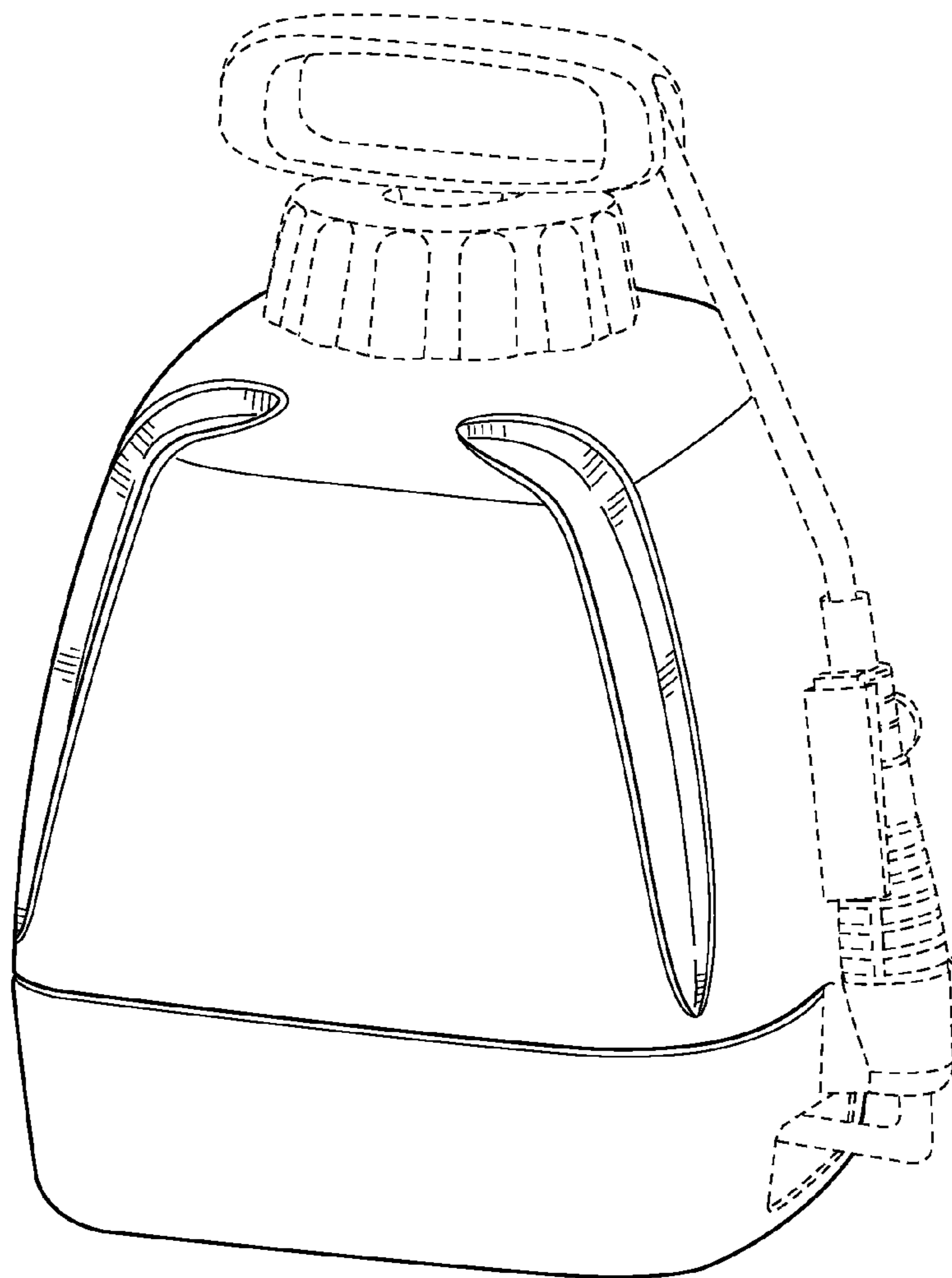


FIG. 2

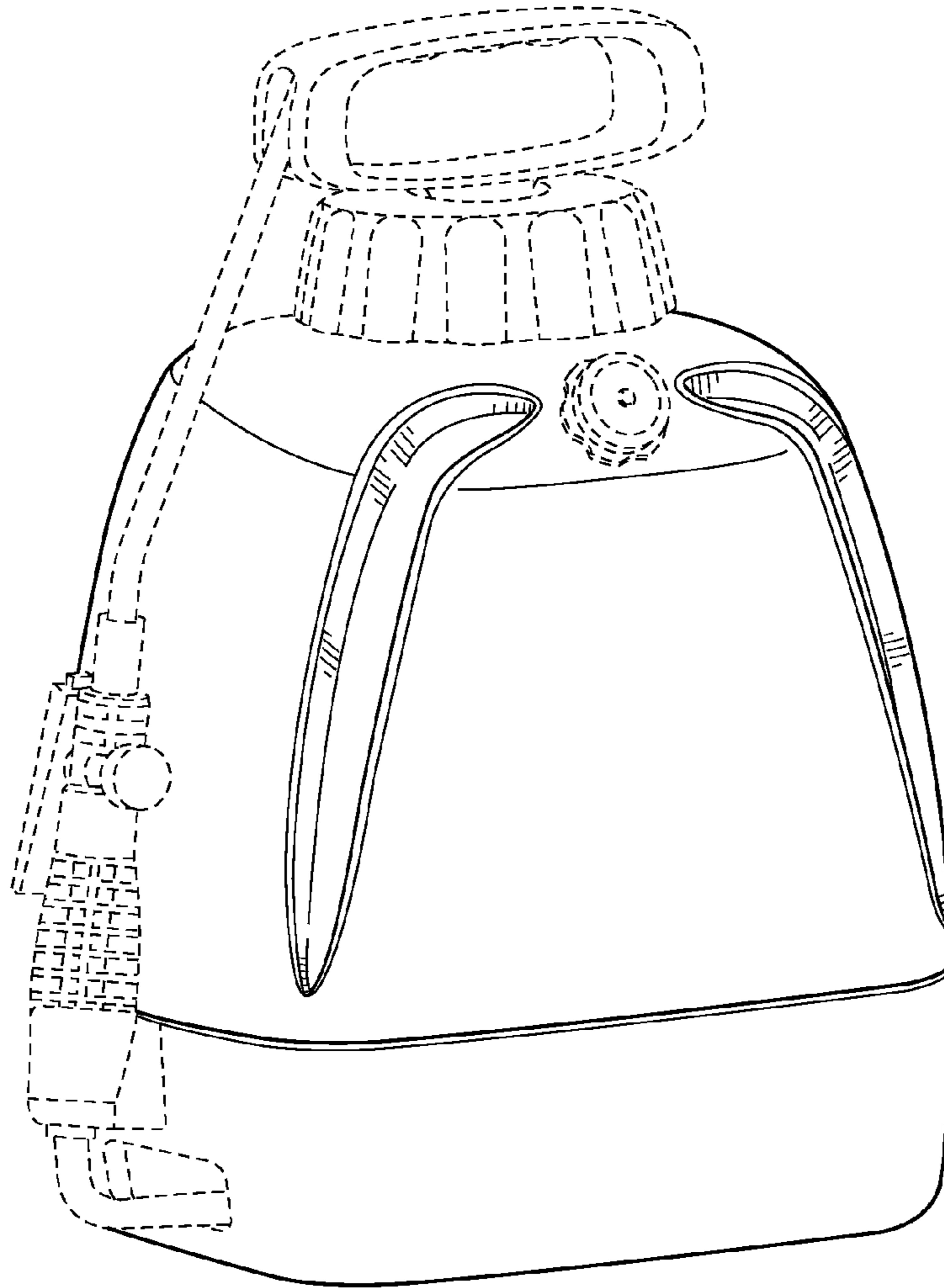


FIG. 3

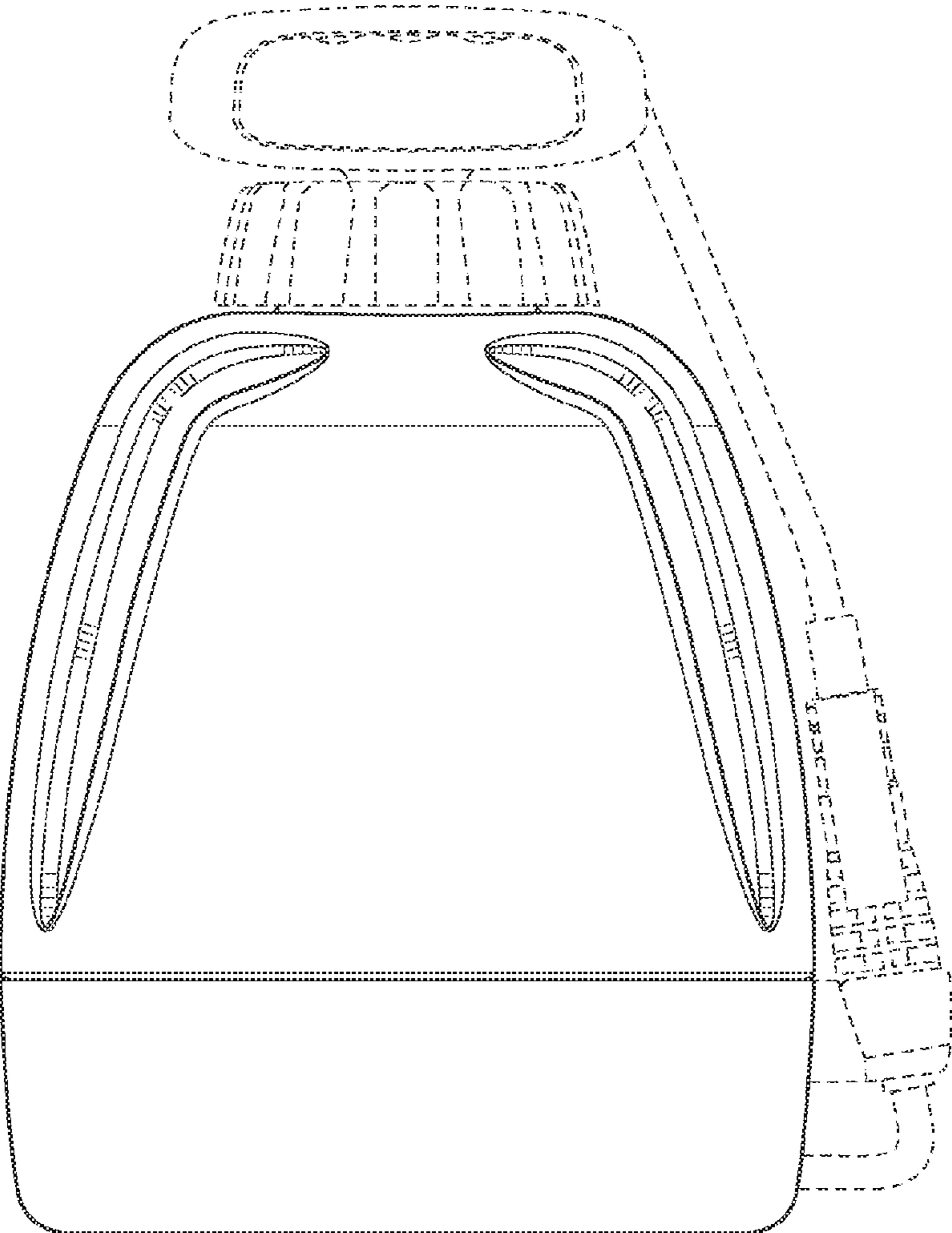


FIG. 4

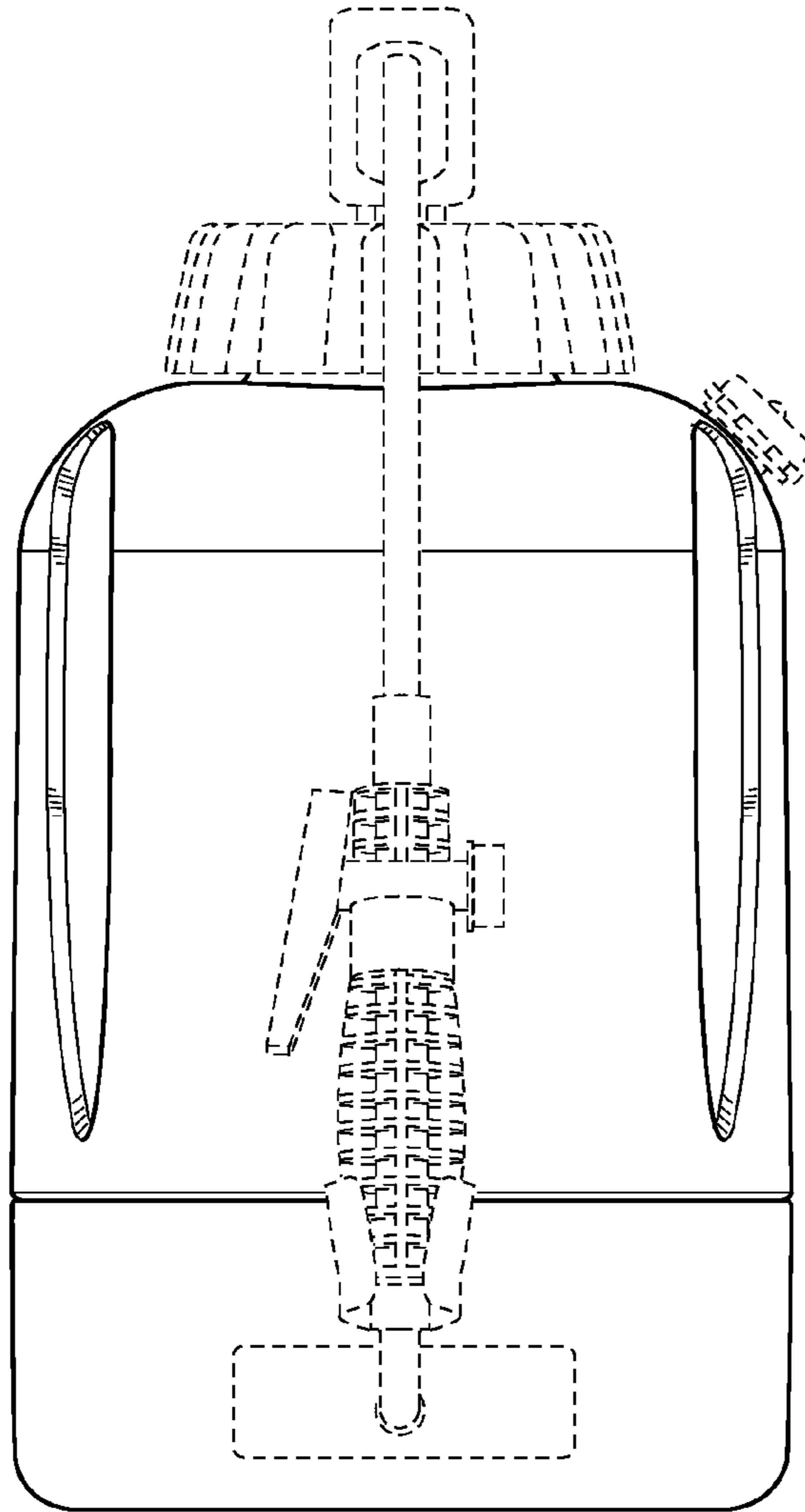


FIG. 5

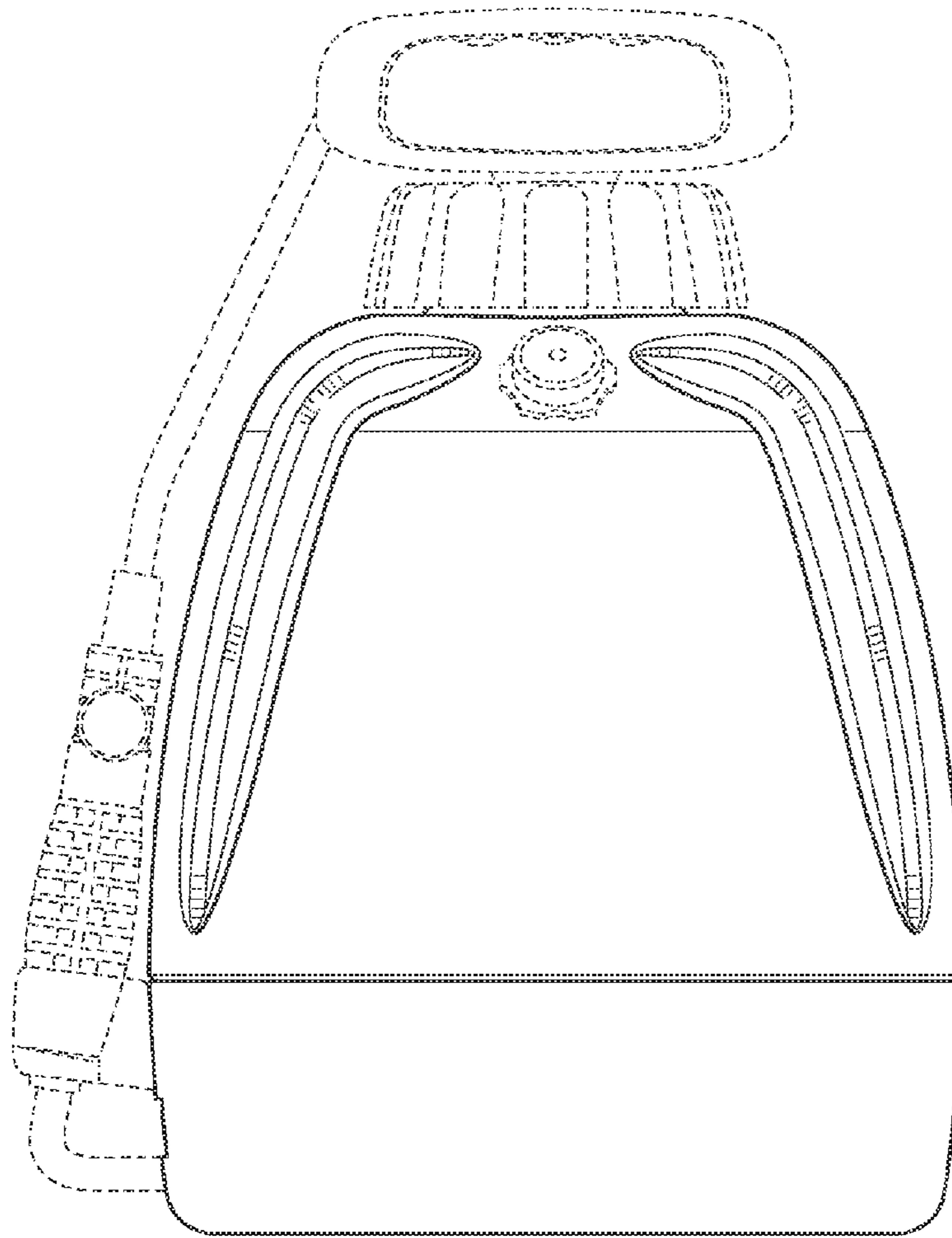


FIG. 6

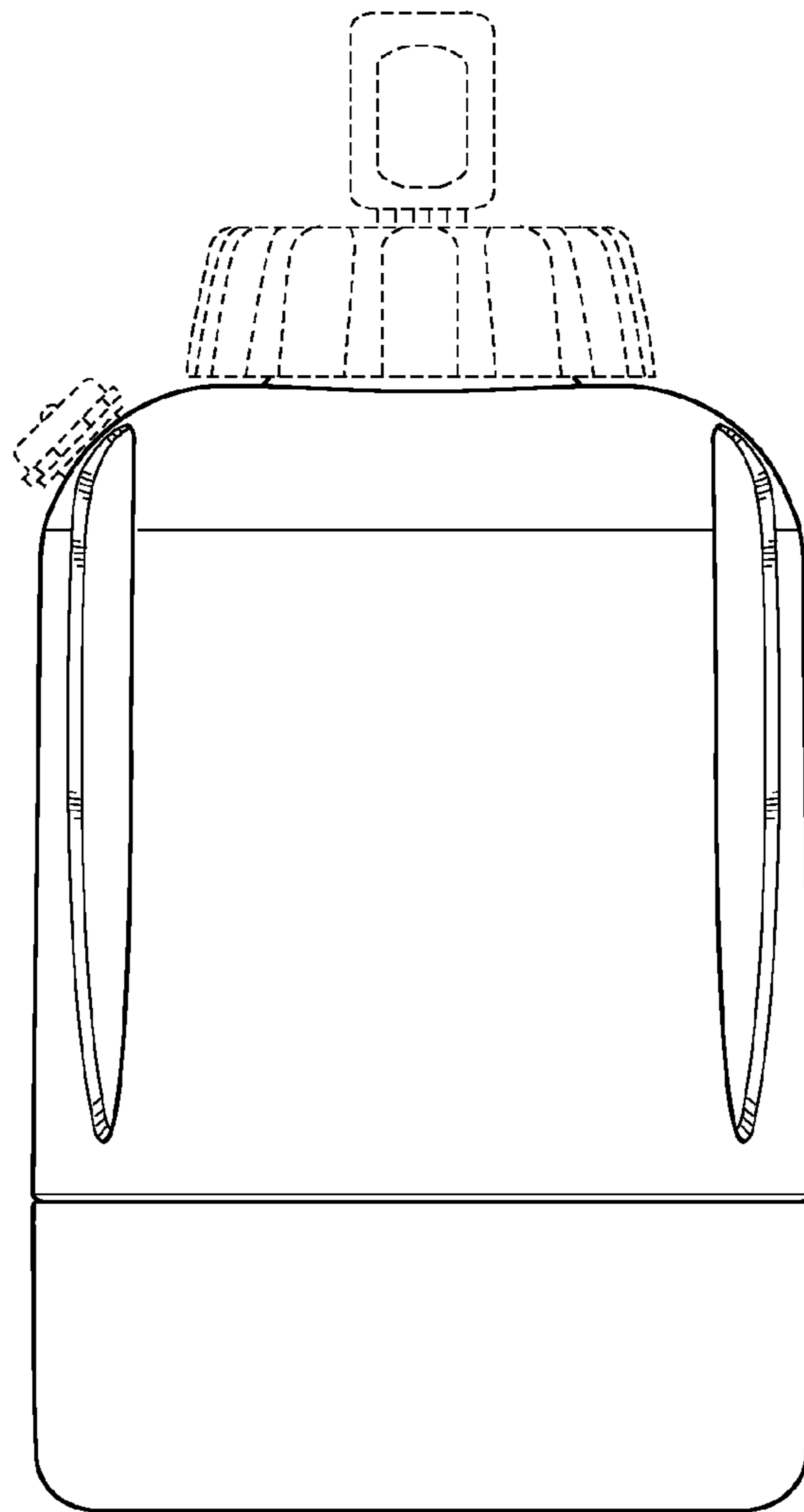


FIG. 7

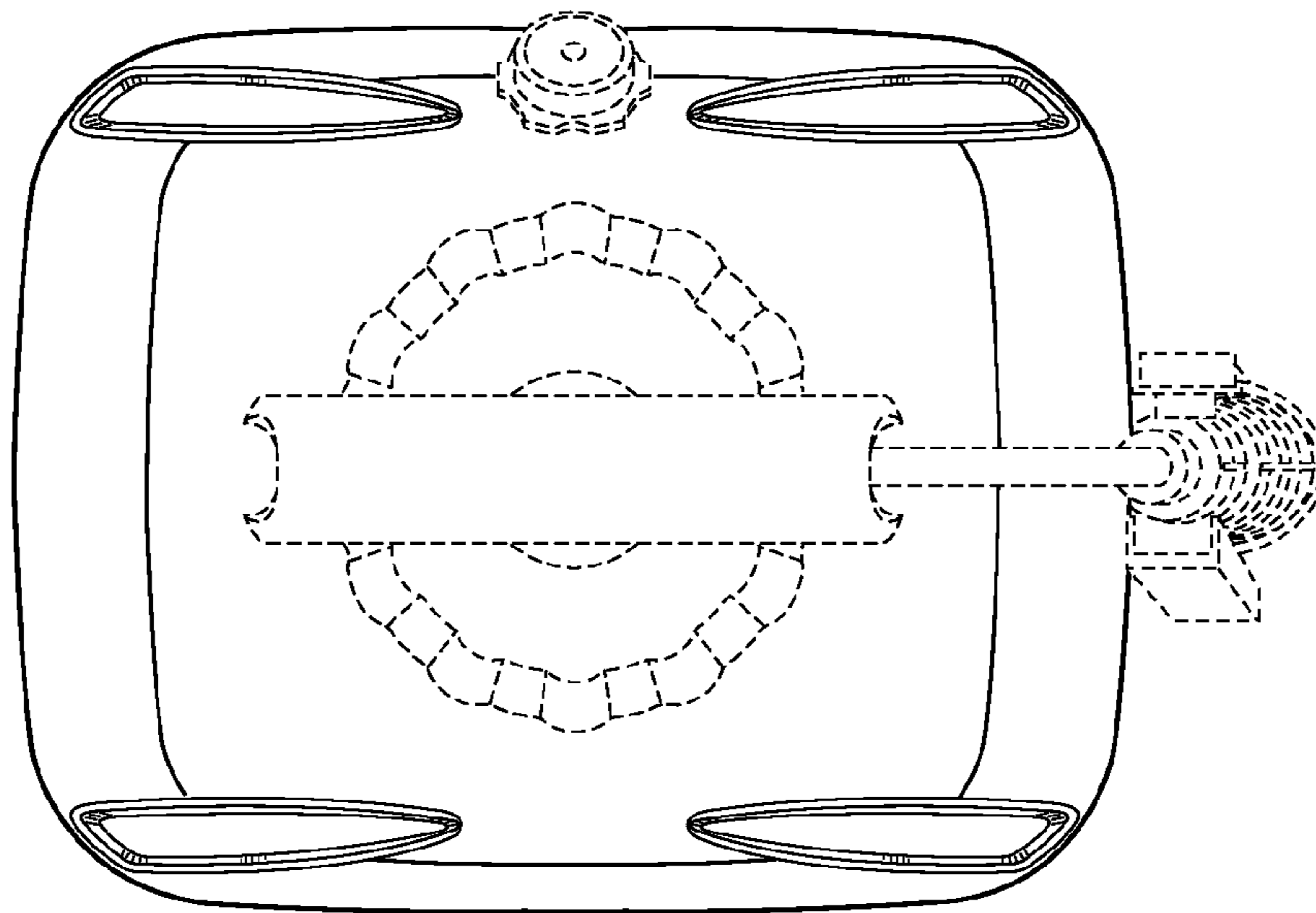


FIG. 8

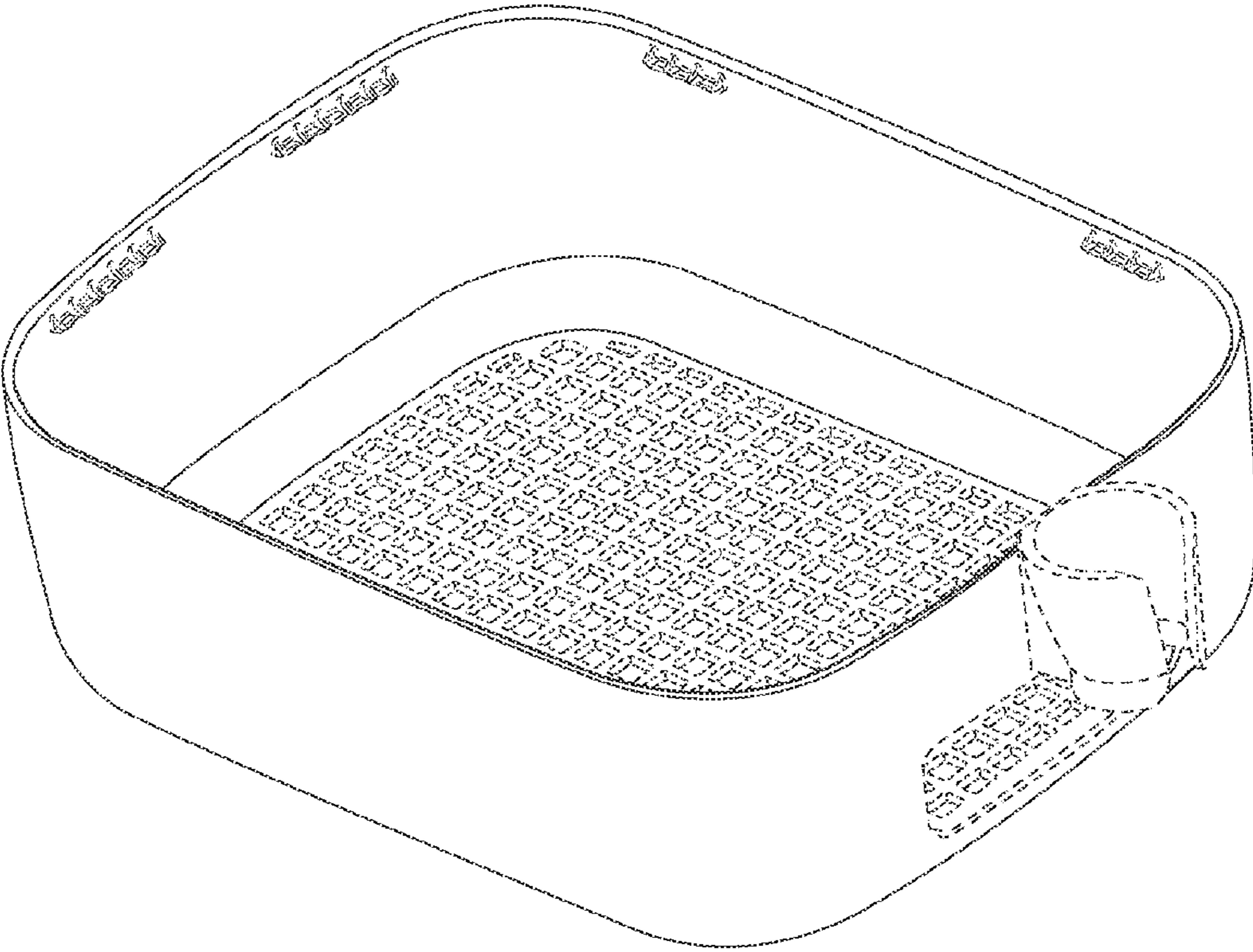


FIG. 9