



US00D660941S

(12) **United States Design Patent**
Perez et al.

(10) **Patent No.:** **US D660,941 S**

(45) **Date of Patent:** **** May 29, 2012**

(54) **HANDHELD FLUID SPRAYER**

(75) Inventors: **Ricardo Perez**, Branford, CT (US);
Patrick Thomas Thrailkill, Milton, MA (US)

(73) Assignee: **Wagner Spray Tech Corporation**,
Plymouth, MN (US)

(**) Term: **14 Years**

(21) Appl. No.: **29/375,536**

(22) Filed: **Sep. 23, 2010**

(51) **LOC (9) Cl.** **23-01**

(52) **U.S. Cl.** **D23/225**

(58) **Field of Classification Search** D23/213,
D23/225; 239/302, 308, 310, 332, 333, 337,
239/373, DIG. 14

See application file for complete search history.

(56) **References Cited**

U.S. PATENT DOCUMENTS

D467,991 S	*	12/2002	Ibele	D23/225
D503,213 S	*	3/2005	Stevens et al.	D23/225
D503,215 S	*	3/2005	Stevens et al.	D23/225
D519,603 S	*	4/2006	Schumann et al.	D23/225
D573,226 S	*	7/2008	Everett et al.	D23/225
D589,116 S	*	3/2009	Bruggeman	D23/225
D609,778 S	*	2/2010	Woodgate	D23/225
D630,708 S	*	1/2011	Blenkush et al.	D23/225

OTHER PUBLICATIONS

Wagner Paint Fast. Paint Smart Owner's Manual 0109 Form No. 0525802B, 56 pages.

Home Right C800769 Pro 6.8 Heavy Duty Paint Sprayer. Amazon.com dated Sep. 10, 2010, 4 pages.

Black & Decker Pro 6.8 Paint/Stain Sprayer Model #C0800713, <http://www.blackanddecker.com/ProductGuide/Product-Details.aspx?ProductID=20475>, dated Sep. 10, 2010 1 page, 2009.

* cited by examiner

Primary Examiner — Robin V Webster

(74) *Attorney, Agent, or Firm* — Westman, Champlin & Kelly, P.A.

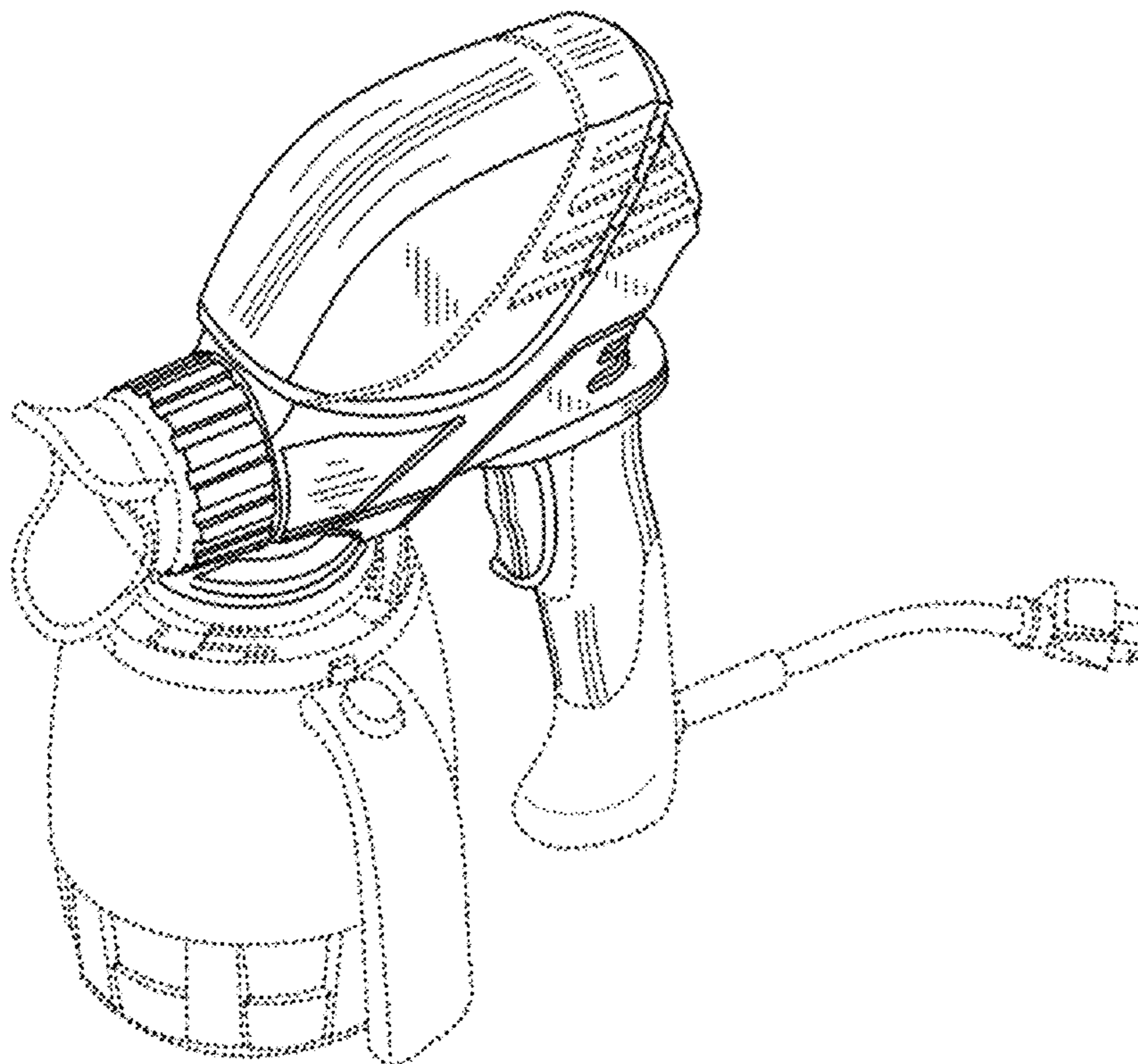
(57) **CLAIM**

The ornamental design for a handheld fluid sprayer, as shown and described.

DESCRIPTION

FIG. 1 is a perspective view of a handheld fluid sprayer. FIG. 2 is a right side view of the handheld fluid sprayer. FIG. 3 is a left side view of the handheld fluid sprayer. FIG. 4 is a front view of the handheld fluid sprayer. FIG. 5 is a rear view of the handheld fluid sprayer. FIG. 6 is a top view of the handheld fluid sprayer; and, FIG. 7 is a bottom view of the handheld fluid sprayer. The details shown in broken lines form no part of the claimed design.

1 Claim, 7 Drawing Sheets



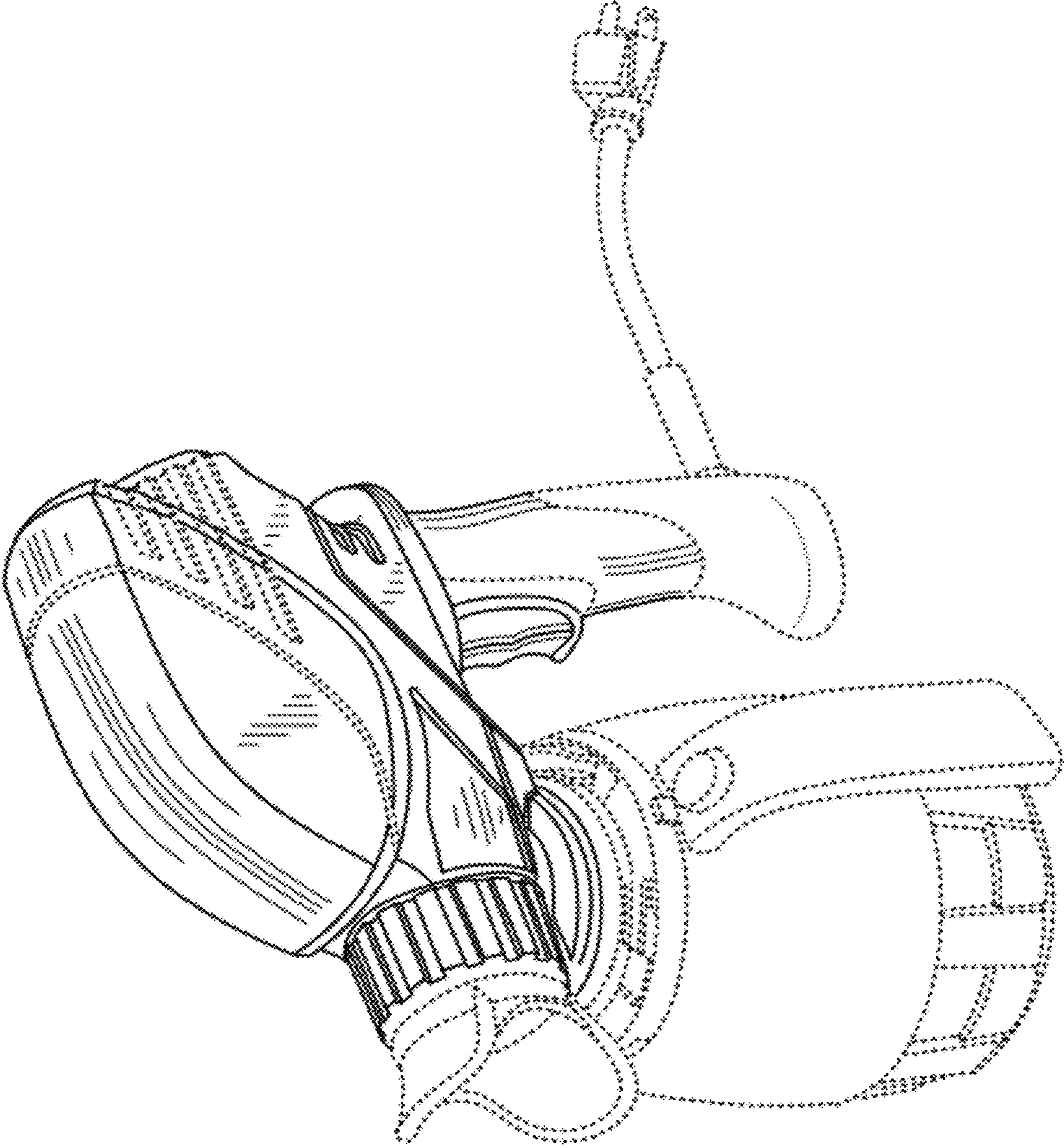


FIG. 1

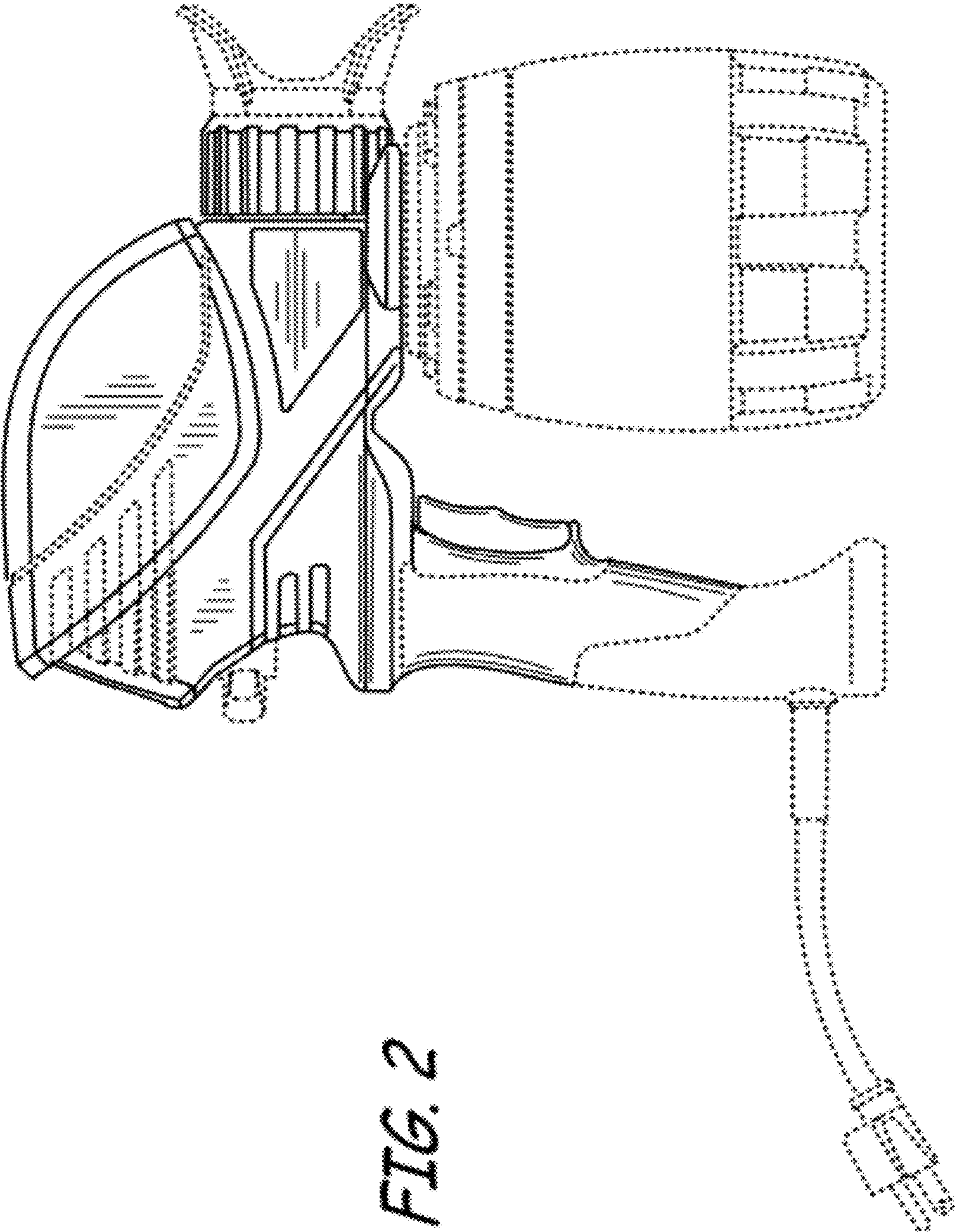


FIG. 2

FIG. 3

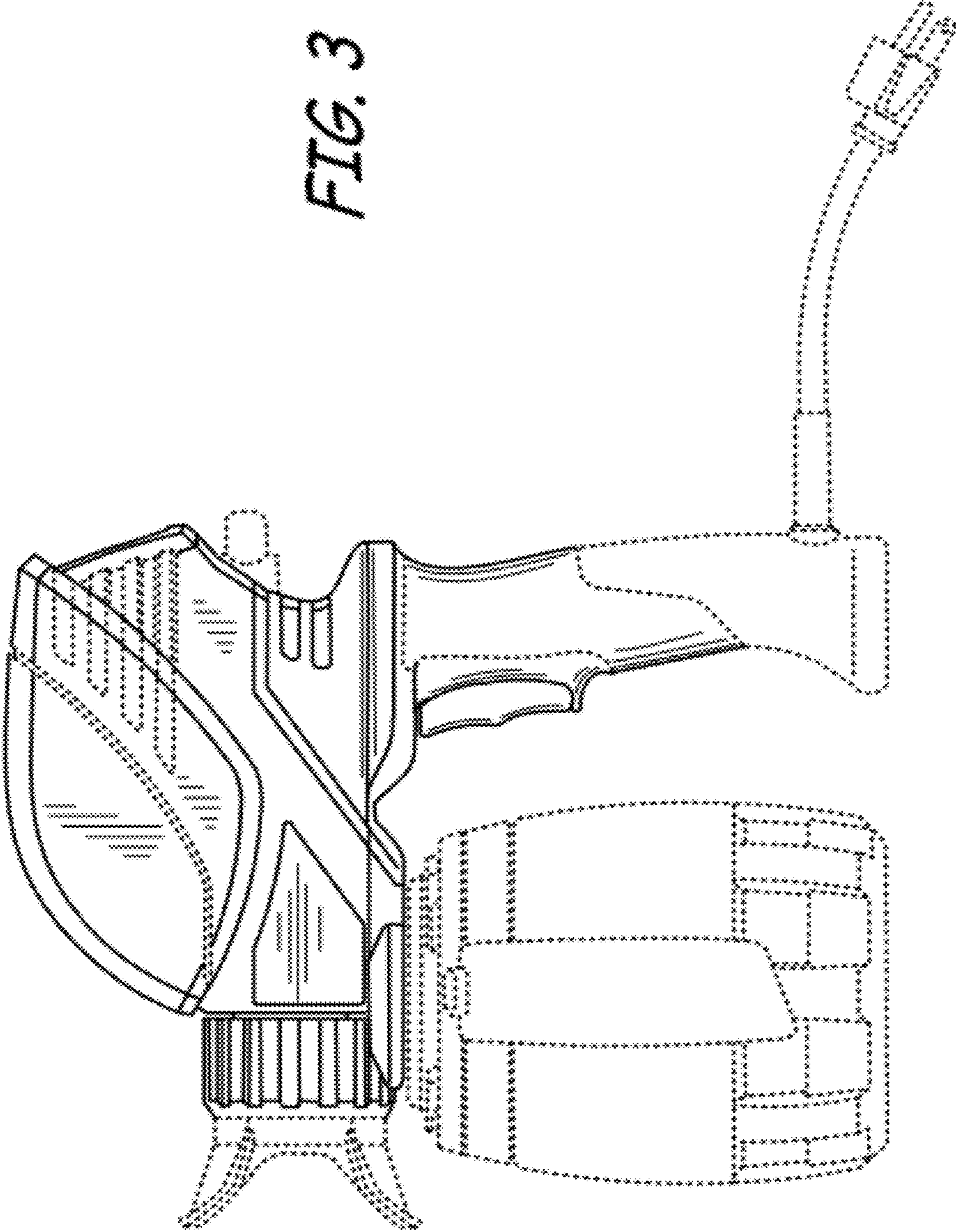


FIG. 4

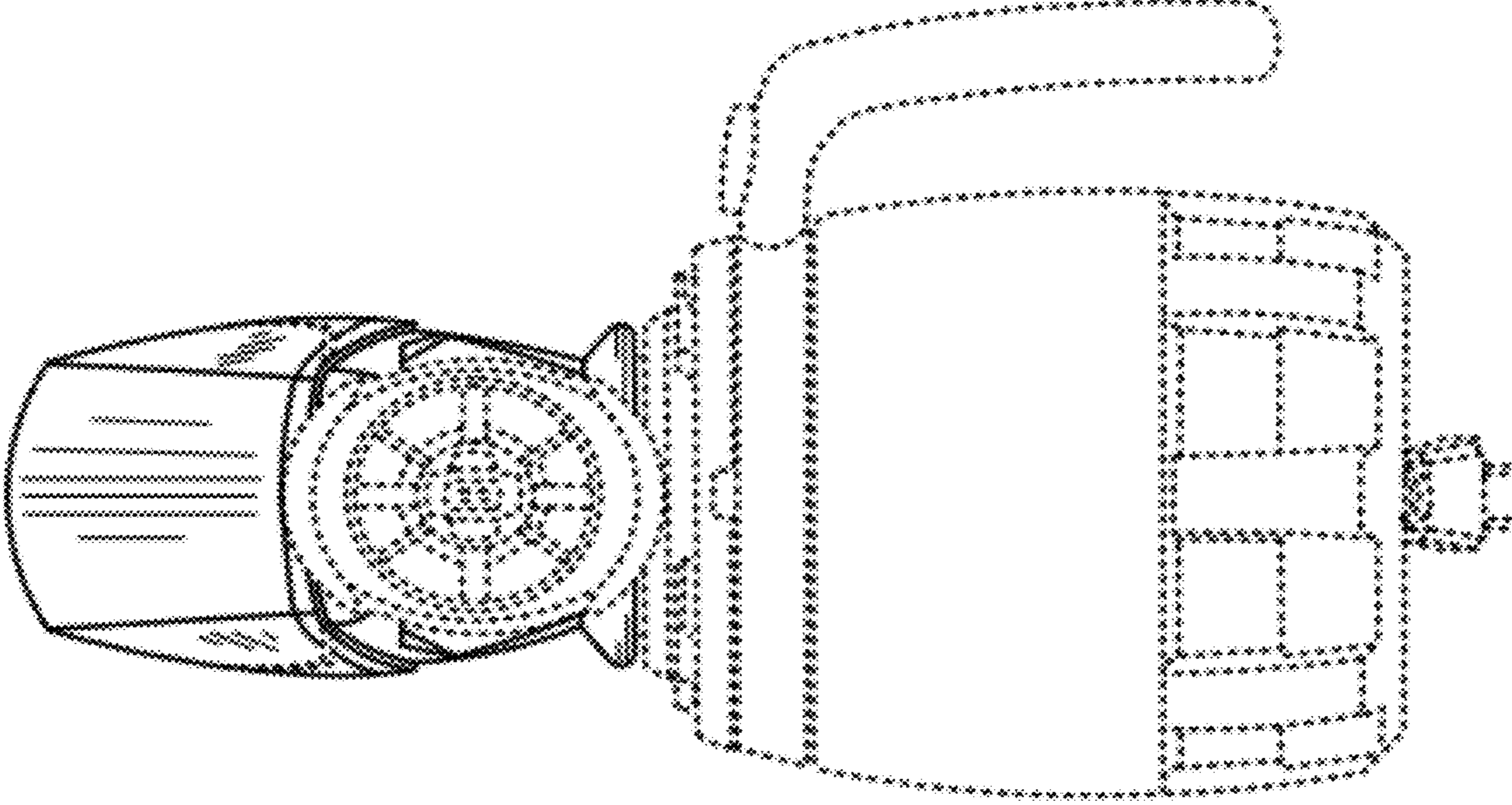
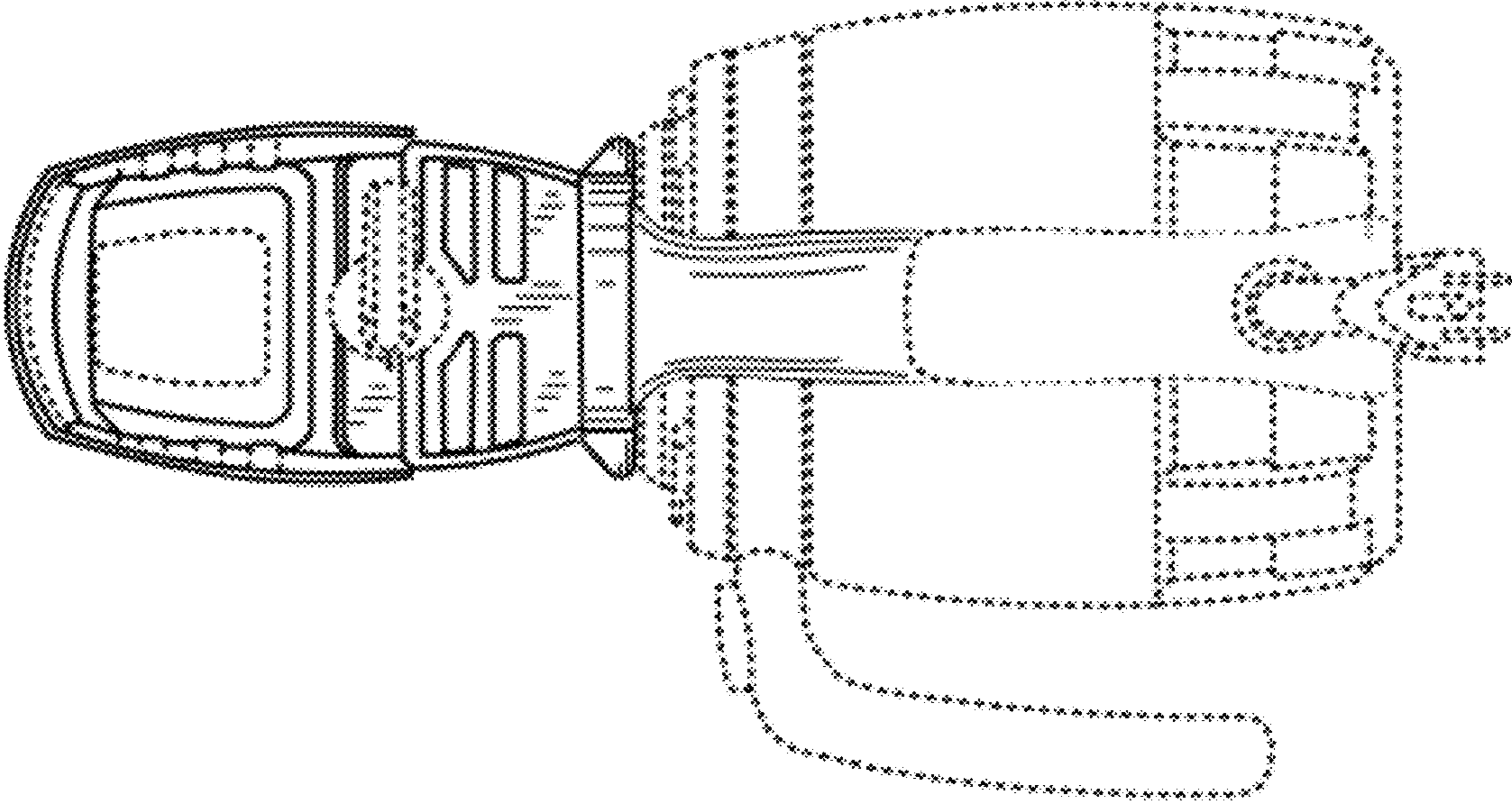


FIG. 5



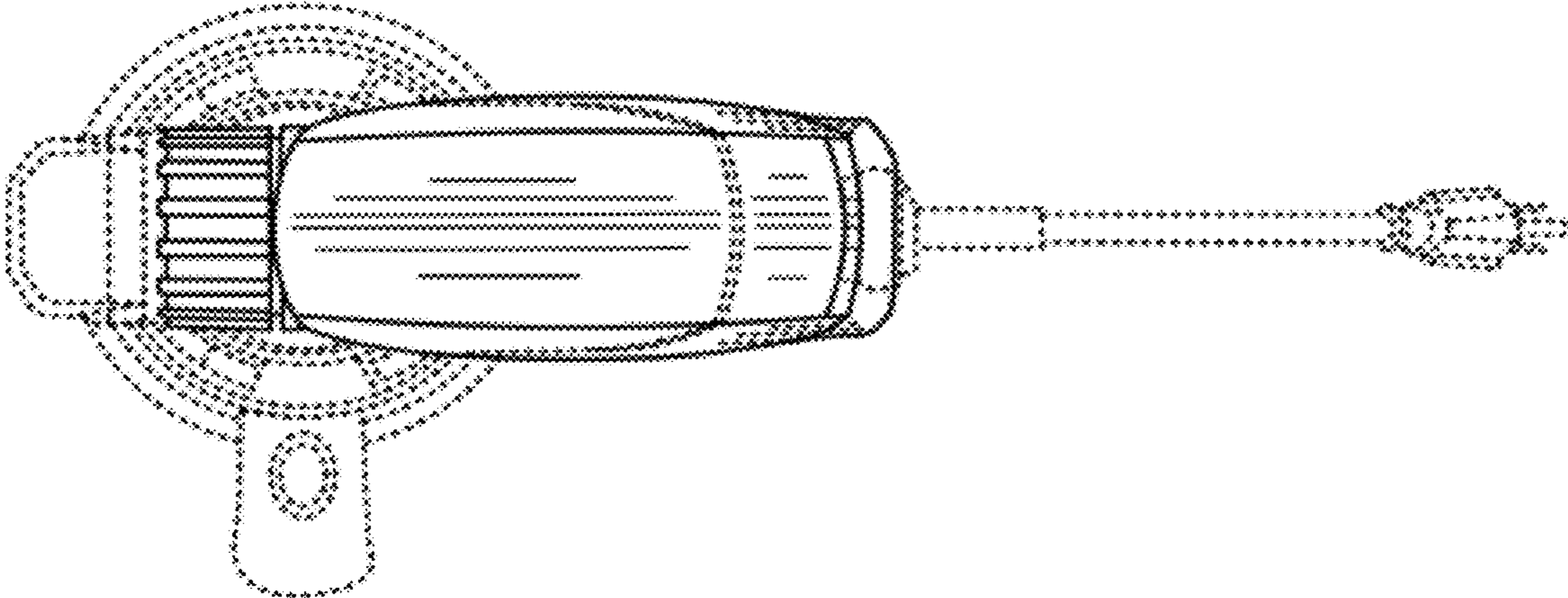


FIG. 6

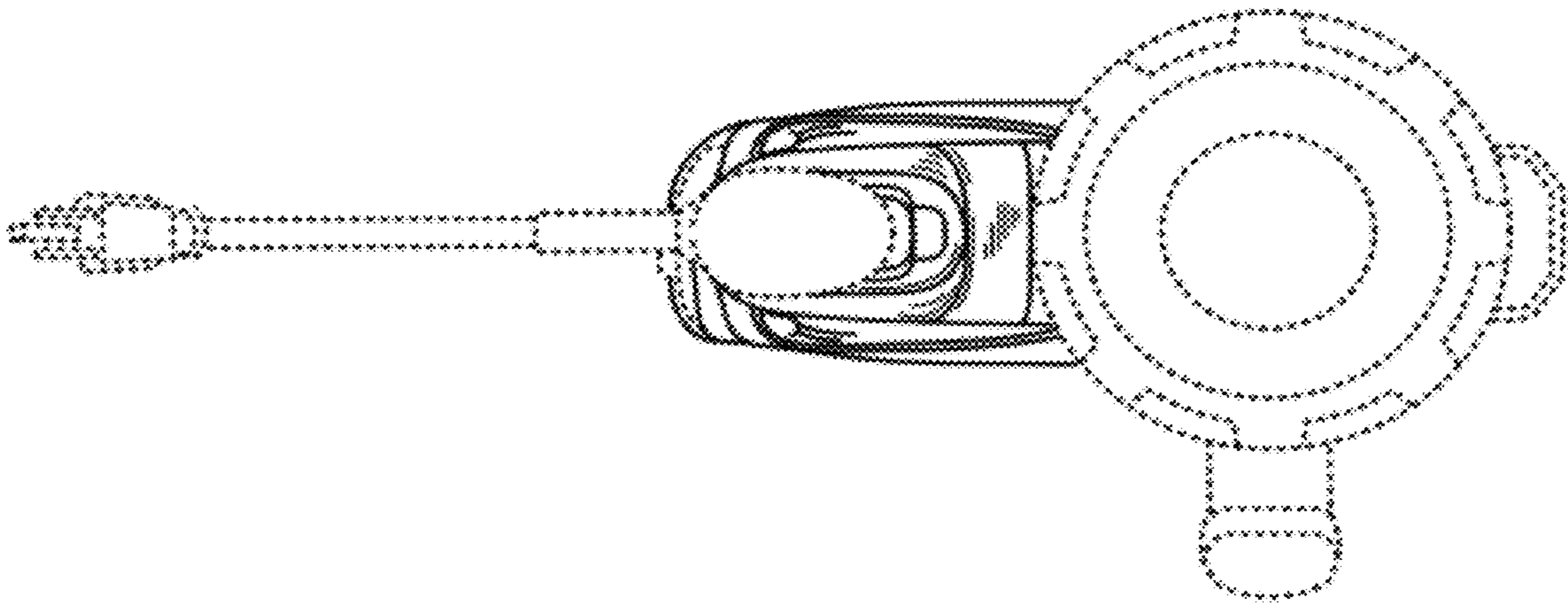


FIG. 7