

US00D660939S

(12) **United States Design Patent**
Bertucci et al.

(10) **Patent No.:** **US D660,939 S**
(45) **Date of Patent:** **** May 29, 2012**

(54) **FLUID DISPENSER**

(56) **References Cited**

(75) Inventors: **Michael H. Bertucci**, Gurnee, IL (US);
Christopher F. Lang, Racine, WI (US);
Susan K. Lewis, Gurnee, IL (US);
Justin M. Nunez, Milwaukee, WI (US);
Timothy S. Jones, Sharpsburg, GA
(US); **Steven E. Schiller**, Kenosha, WI
(US); **Wayne P. Phillips**, Hudson, WI
(US); **Jerome A. Grunstad**, Inver Grove
Heights, MN (US)

U.S. PATENT DOCUMENTS

3,346,144 A 10/1967 Hings
3,620,415 A 11/1971 Ruth
3,642,171 A 2/1972 Ernst
3,984,698 A 10/1976 Brewer
4,023,778 A 5/1977 Joly et al.
4,363,341 A 12/1982 Powell
4,538,919 A 9/1985 Bohnensieker
D333,951 S 3/1993 Courtney et al.
5,905,312 A 5/1999 Liou
6,029,688 A 2/2000 Kaufman
6,079,871 A 6/2000 Jonas et al.
6,173,458 B1 1/2001 Maddux
D463,226 S 9/2002 Winkler
D510,609 S 10/2005 Huang

(Continued)

(73) Assignee: **Diversey, Inc.**, Sturtevant, WI (US)

(**) Term: **14 Years**

FOREIGN PATENT DOCUMENTS

(21) Appl. No.: **29/411,299**

DE 4026283 2/1991

(22) Filed: **Jan. 19, 2012**

(Continued)

Related U.S. Application Data

Primary Examiner — Brian N Vinson

(60) Continuation of application No. 29/400,897, filed on
Sep. 2, 2011, now Pat. No. Des. 654,982, which is a
continuation of application No. 29/383,027, filed on
Jan. 11, 2011, now Pat. No. Des. 645,934, which is a
continuation of application No. 29/365,645, filed on
Jul. 13, 2010, now Pat. No. Des. 631,940, which is a
continuation of application No. 29/342,206, filed on
Aug. 20, 2009, now Pat. No. Des. 619,676, which is a
division of application No. 29/291,940, filed on Sep.
21, 2007, now Pat. No. Des. 599,879.

(74) *Attorney, Agent, or Firm* — Michael Best & Friedrich
LLP

(51) **LOC (9) Cl.** **23-01**

(52) **U.S. Cl.** **D23/208**

(58) **Field of Classification Search** D15/147,
D15/199; D8/2; D23/200, 207, 208, 213,
D23/223; 366/129, 162.1–162.3, 336, 342,
366/344; 290/54; 222/52–59

(57) **CLAIM**

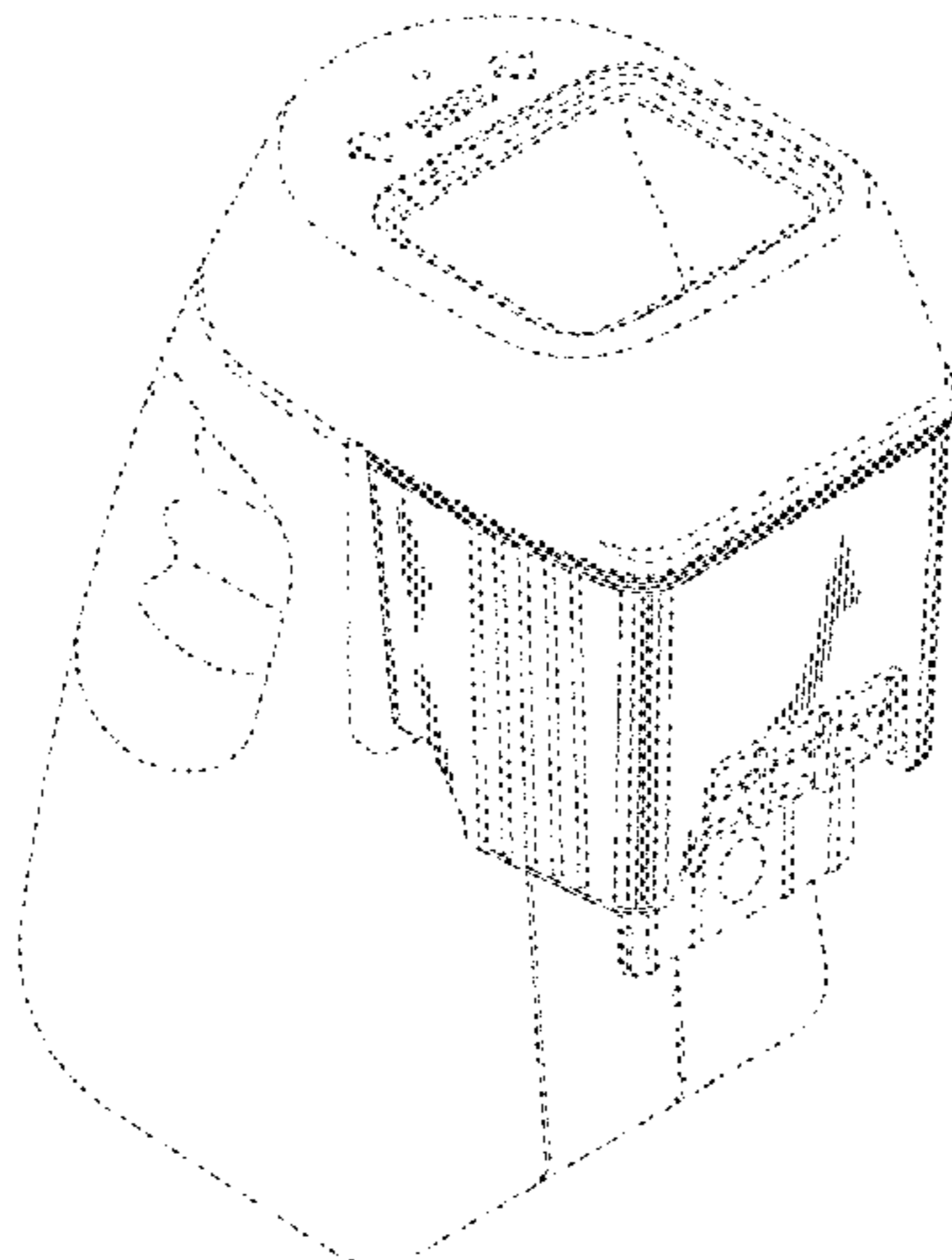
The ornamental design for a fluid dispenser, as shown and
described.

DESCRIPTION

FIG. 1 is a top, front, and left side perspective view of a fluid
dispenser showing our new design;
FIG. 2 is a left side elevational view thereof;
FIG. 3 is a front elevational view thereof;
FIG. 4 is a right side elevational view thereof
FIG. 5 is an additional top, front, and left side perspective
view thereof;
FIG. 6 is an additional left side elevational view thereof;
FIG. 7 is an additional front elevational view thereof; and,
FIG. 8 is an additional right side elevational view thereof.
The broken-line disclosure, which is understood to represent
portions of the article in which the claimed design is embod-
ied, and which differs slightly between the disclosures of
FIGS. 1-4 and 5-8, forms no part of the claimed design.

See application file for complete search history.

1 Claim, 8 Drawing Sheets



US D660,939 S

Page 2

U.S. PATENT DOCUMENTS

7,090,098	B2	8/2006	Livingston et al.
D534,044	S	12/2006	Zak
D540,906	S	4/2007	Hardwick
7,235,894	B2	6/2007	Roos
D571,432	S	6/2008	Hardwick
D599,879	S	9/2009	Bertucci et al.
D619,676	S	7/2010	Bertucci et al.
D631,940	S	2/2011	Bertucci et al.
D645,934	S	9/2011	Bertucci et al.
2005/0247742	A1	11/2005	Livingston et al.
2006/0043738	A1	3/2006	Roos

FOREIGN PATENT DOCUMENTS

EP	0098419	1/1984
FR	1060506	4/1954
FR	2808898	11/2001
GB	19159067	6/1916
GB	266883	3/1927
GB	777043	6/1957
GB	974211	11/1964
JP	09014129	1/1997
JP	09048479	2/1997
WO	97/48321	12/1997

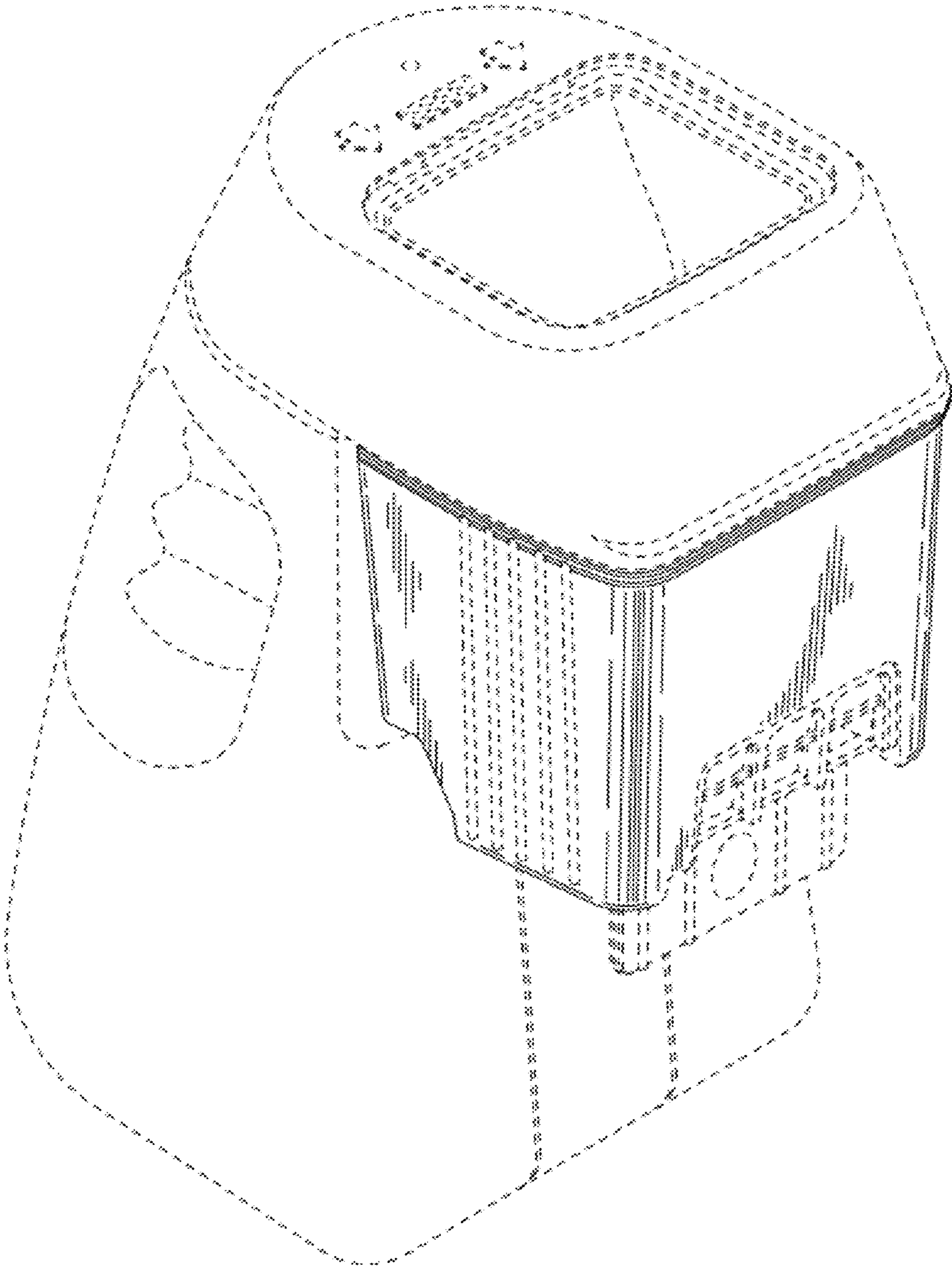


FIG. 1

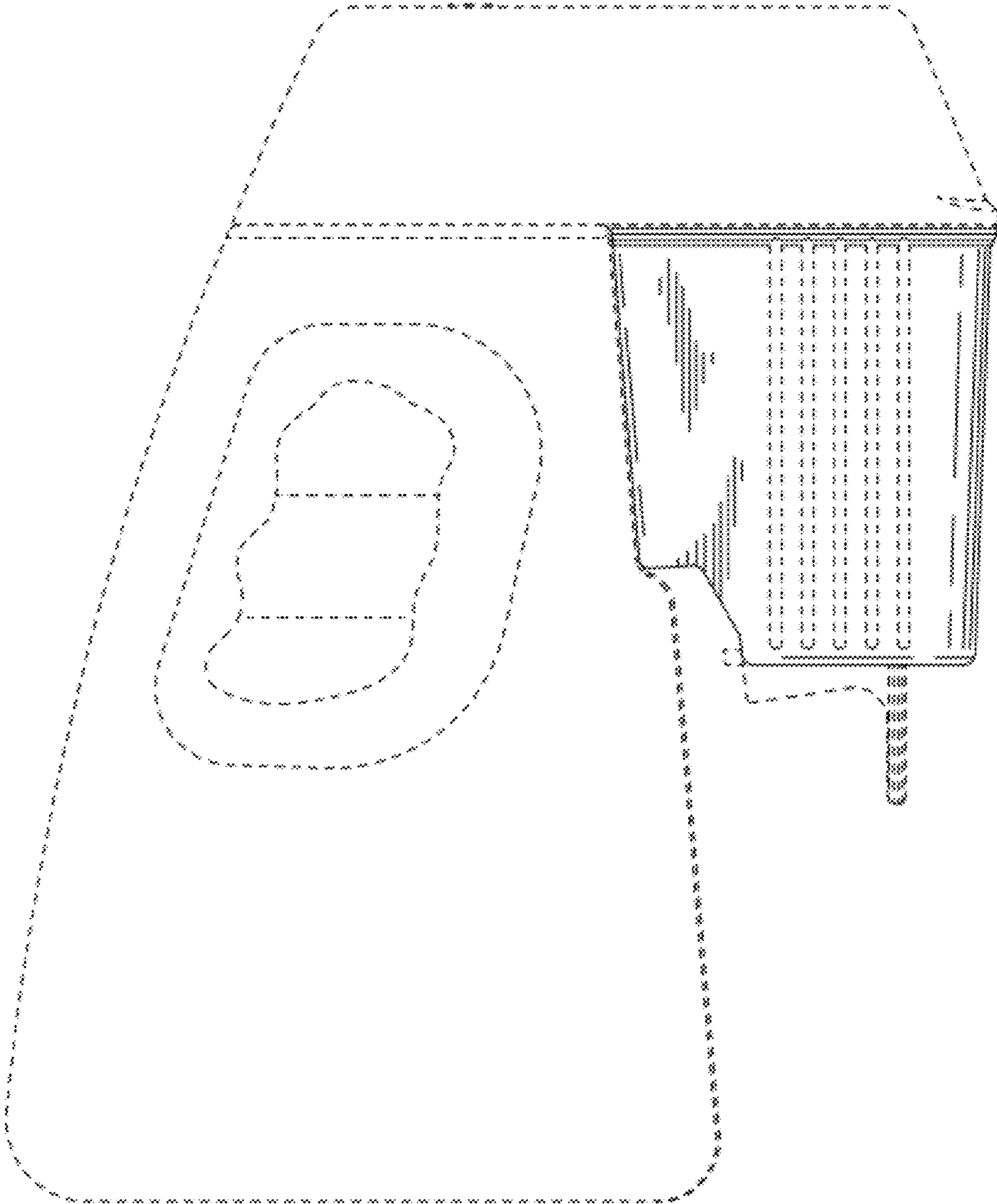


FIG. 2

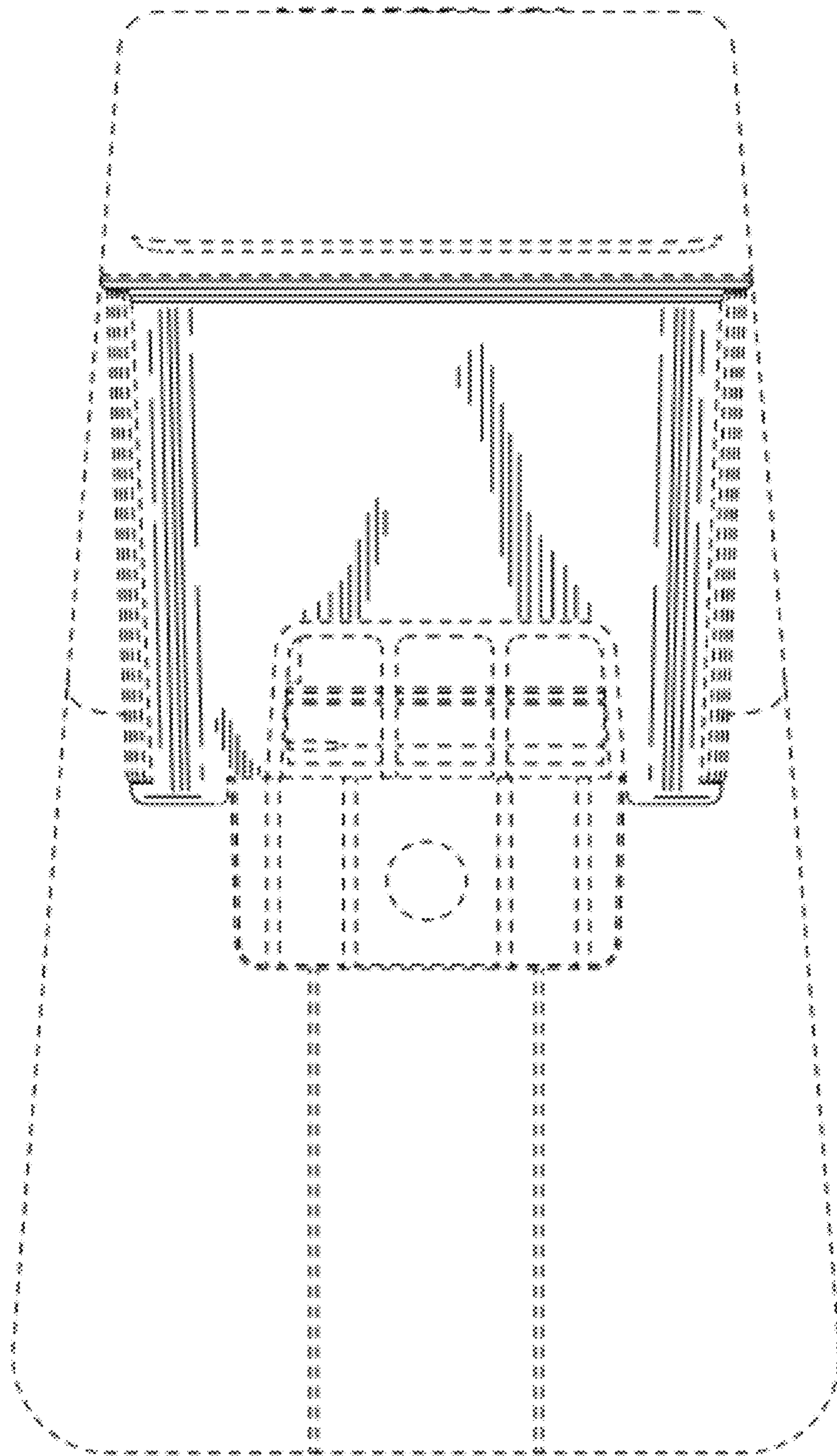


FIG. 3

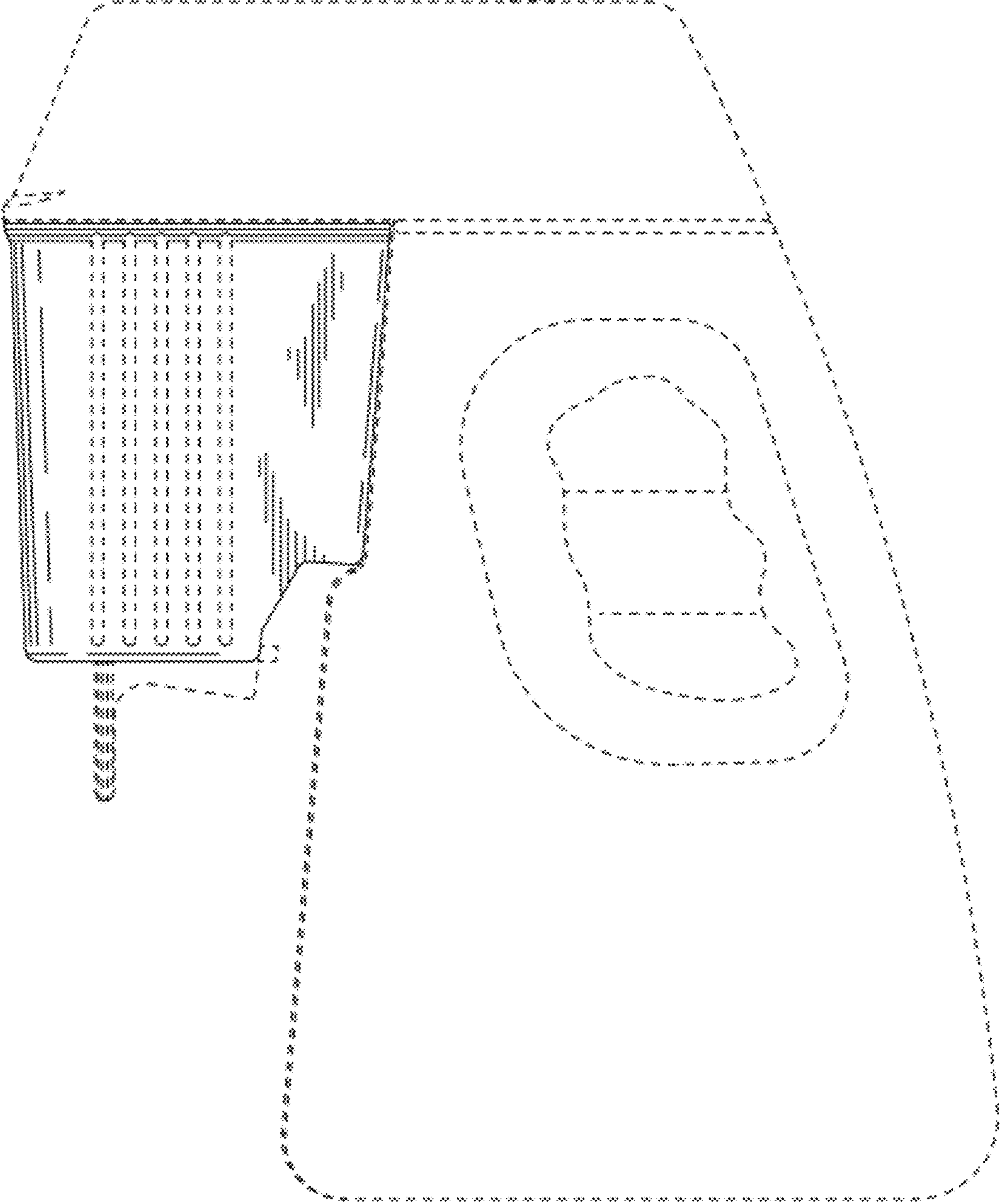


FIG. 4

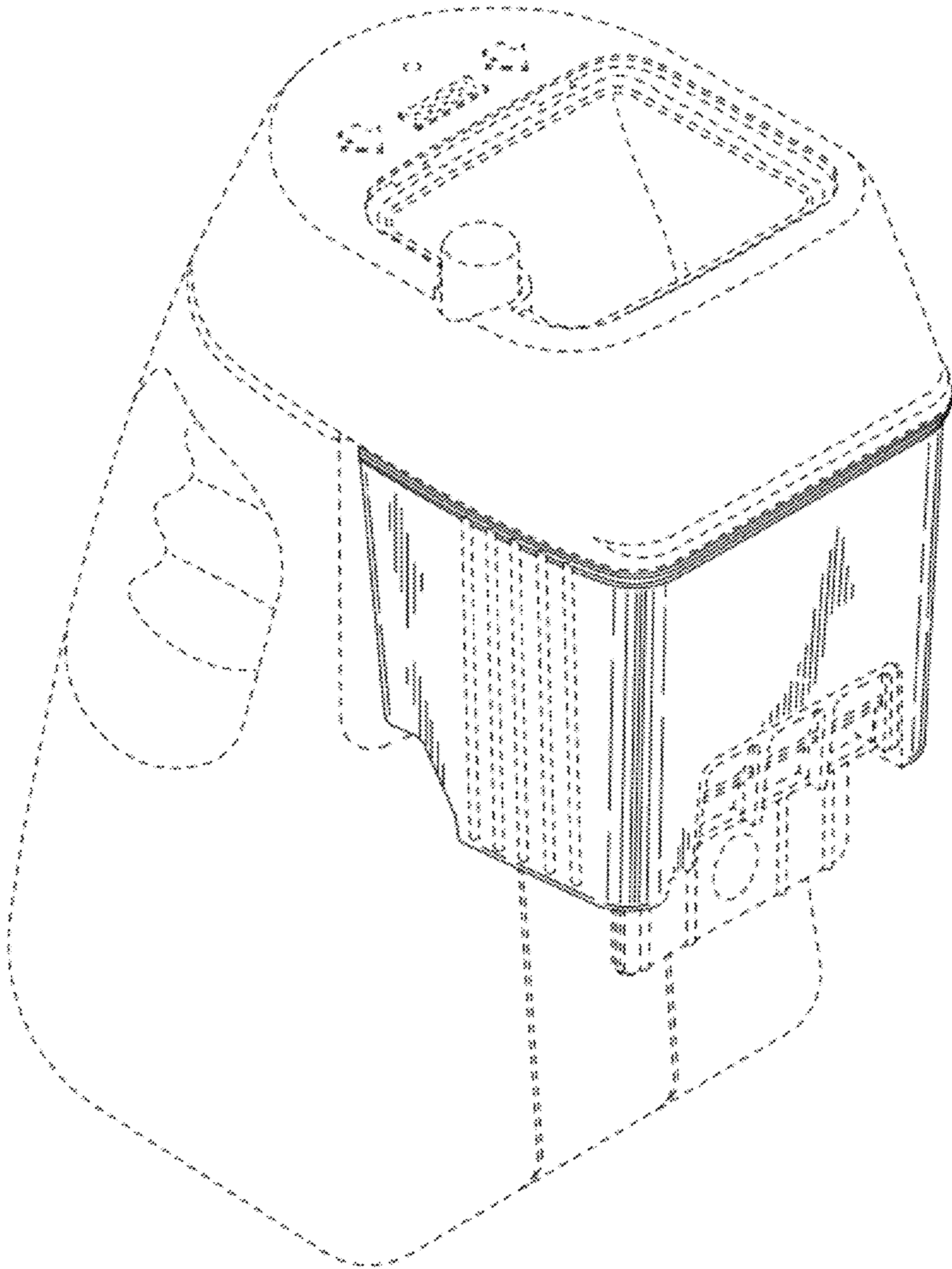


FIG. 5

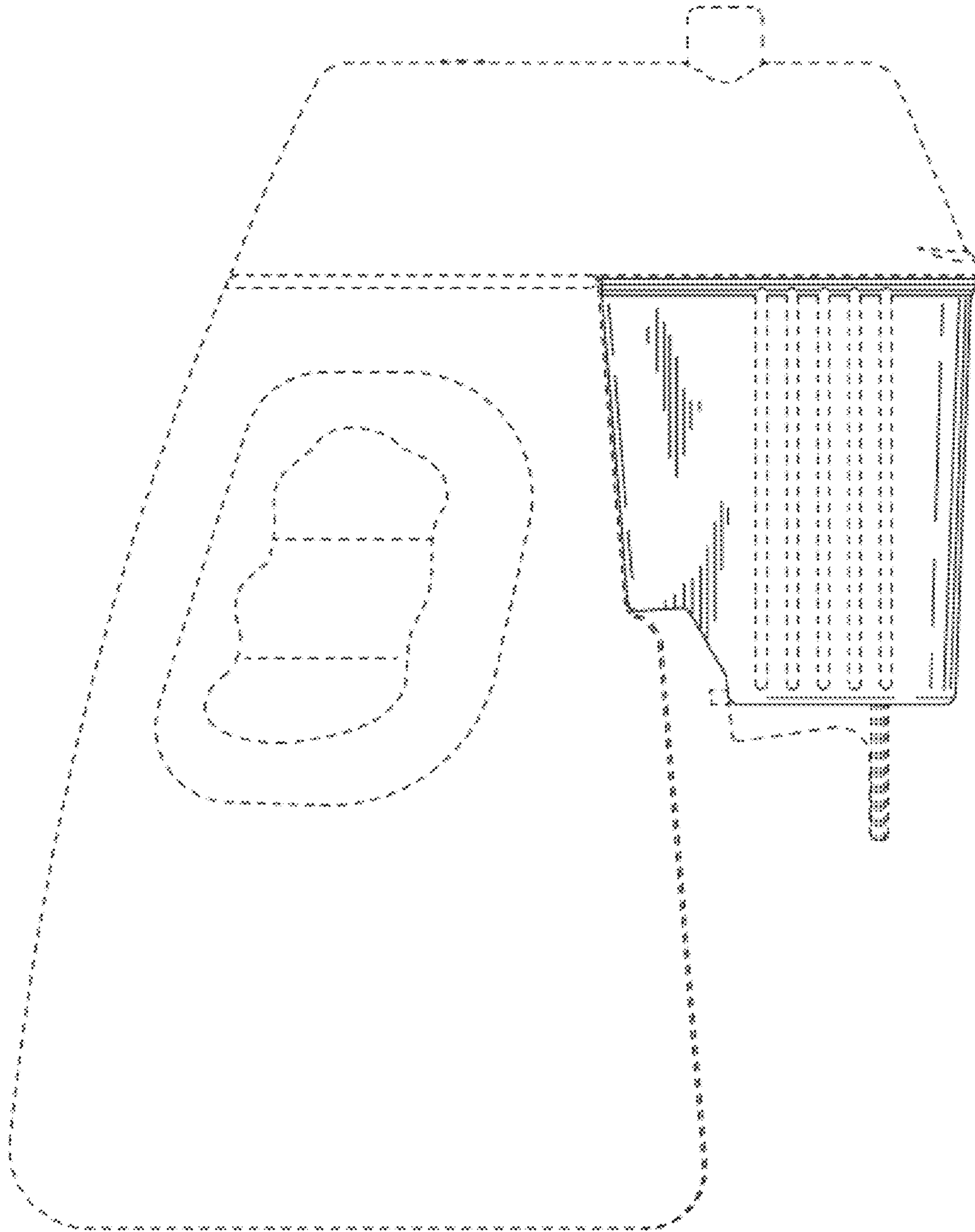


FIG. 6

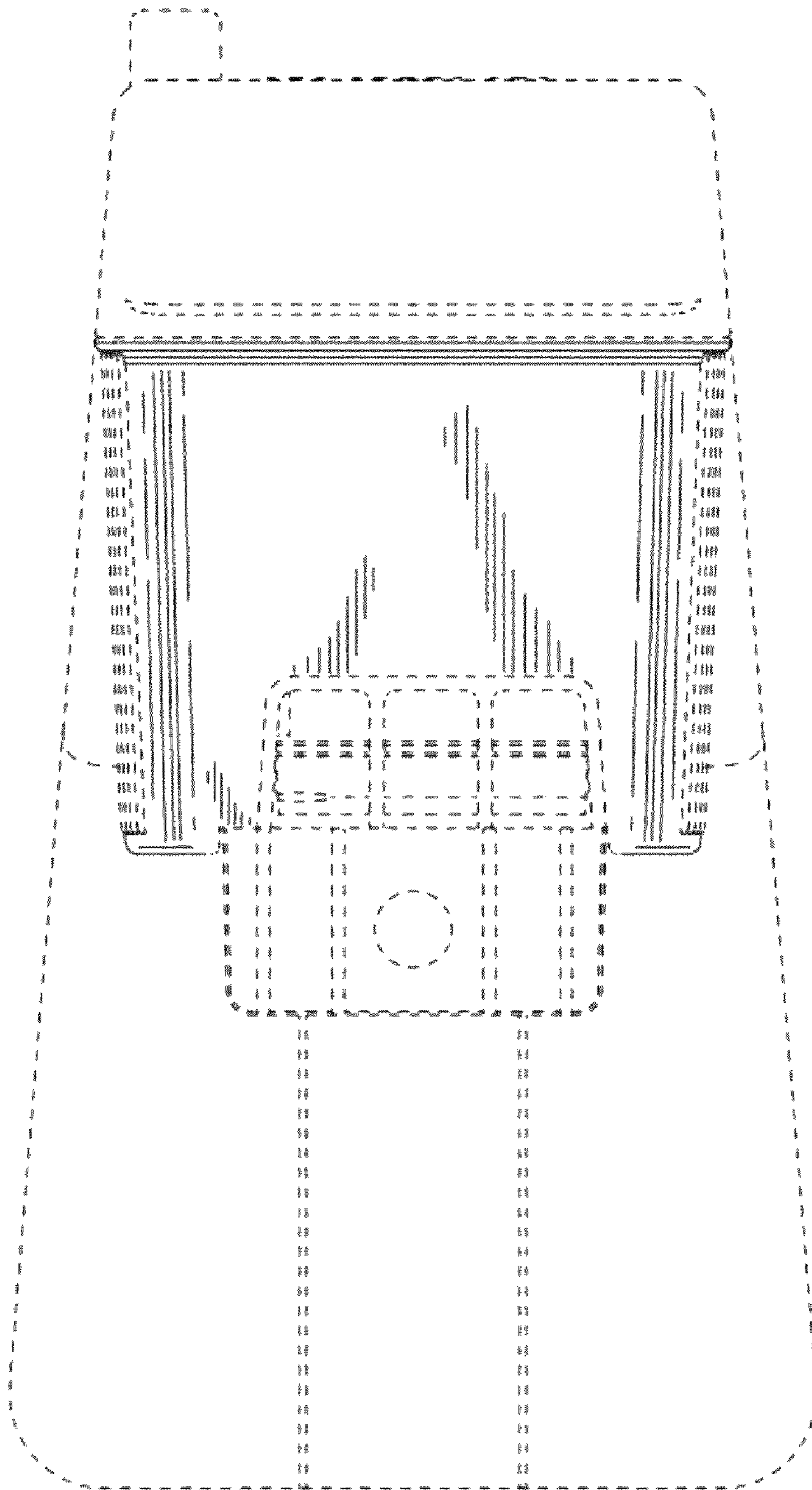


FIG. 7

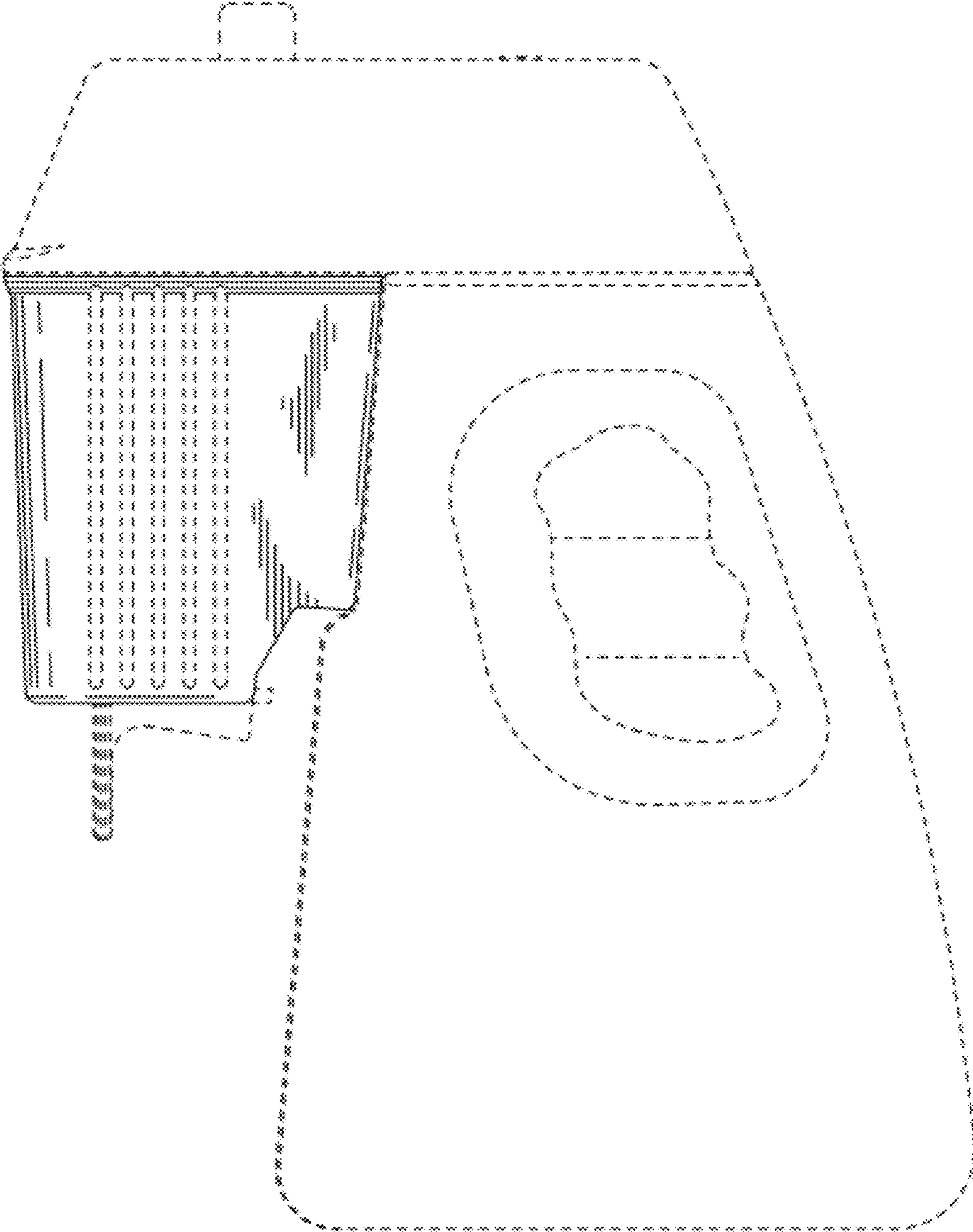


FIG. 8