

US00D660938S

(12) **United States Design Patent**
Gray

(10) **Patent No.:** **US D660,938 S**

(45) **Date of Patent:** **** May 29, 2012**

(54) **BAIT CAST FISHING REEL**

(56) **References Cited**

(75) **Inventor:** **Brandon P. Gray**, Macon, MO (US)

U.S. PATENT DOCUMENTS

(73) **Assignee:** **Ardent Outdoors, Inc.**, St. Louis, MO (US)

D392,366	S	*	3/1998	Asano et al.	D22/140
5,988,548	A	*	11/1999	Chapman et al.	242/310
D476,715	S	*	7/2003	Robbins et al.	D22/140
D500,547	S	*	1/2005	Gray	D22/140
D579,075	S	*	10/2008	Sekimoto et al.	D22/140
D595,806	S	*	7/2009	Nago	D22/140
7,798,439	B2	*	9/2010	Tsutsumi	242/257

(**) **Term:** **14 Years**

* cited by examiner

(21) **Appl. No.:** **29/376,349**

Primary Examiner — Catheri Oliver

(74) *Attorney, Agent, or Firm* — Polster Lieder Woodruff & Lucchesi, L.C.

(22) **Filed:** **Oct. 5, 2010**

(57) **CLAIM**

The ornamental design for bait cast fishing reel, as shown and described.

Related U.S. Application Data

DESCRIPTION

(62) Division of application No. 12/012,284, filed on Feb. 1, 2008, now Pat. No. 7,806,355.

FIG. 1 is a top view of a bait cast fishing reel showing my new design;

(51) **LOC (9) Cl.** **22-05**

(52) **U.S. Cl.** **D22/140**

(58) **Field of Classification Search** D22/140,
D22/137-139, 141-142; 242/230-232, 257,
242/310-311

FIG. 2 is a perspective view thereof;

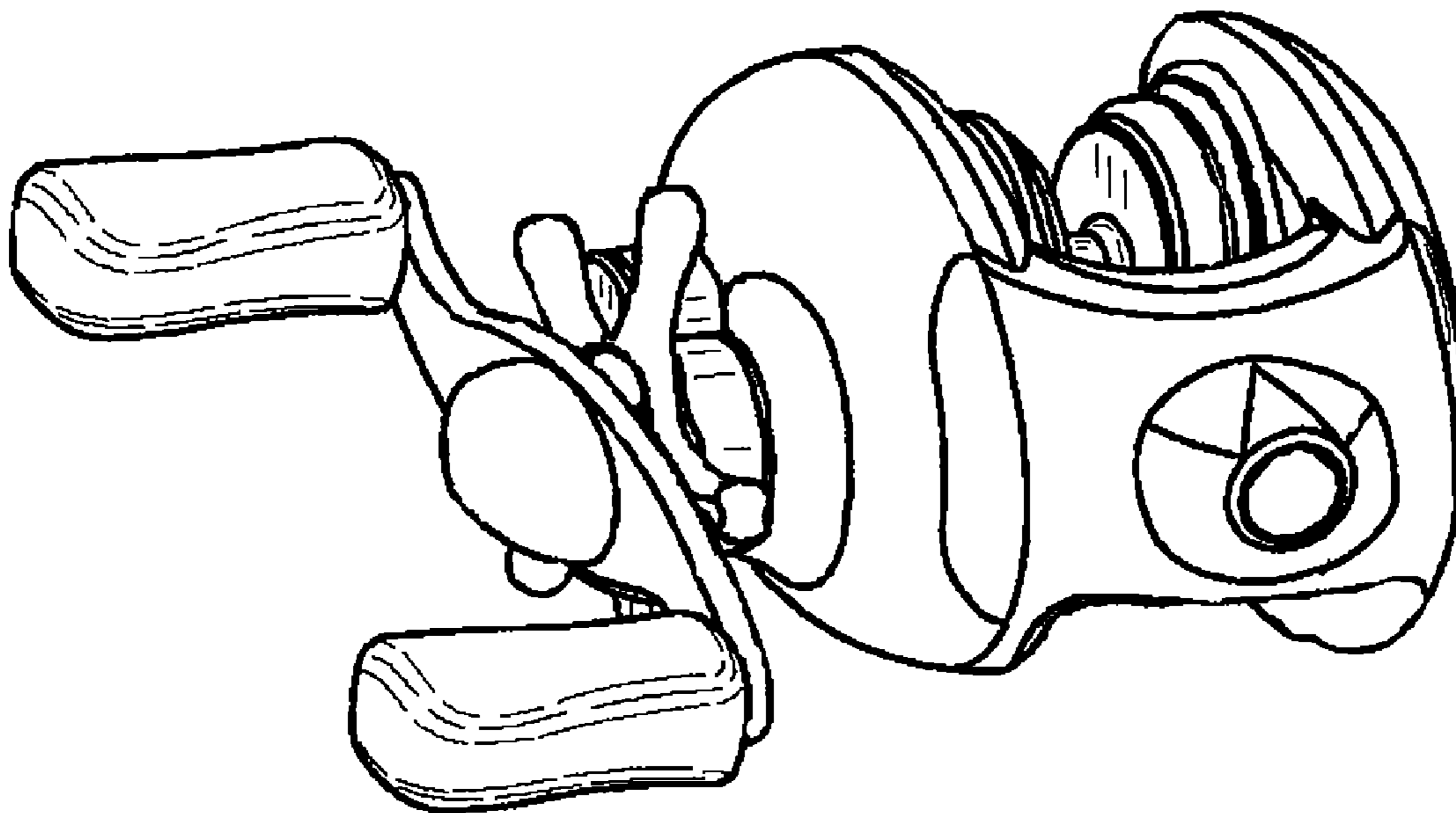
FIG. 3 is a front view thereof;

FIG. 4 is a side view thereof; and,

FIG. 5 is a rear view thereof.

See application file for complete search history.

1 Claim, 2 Drawing Sheets



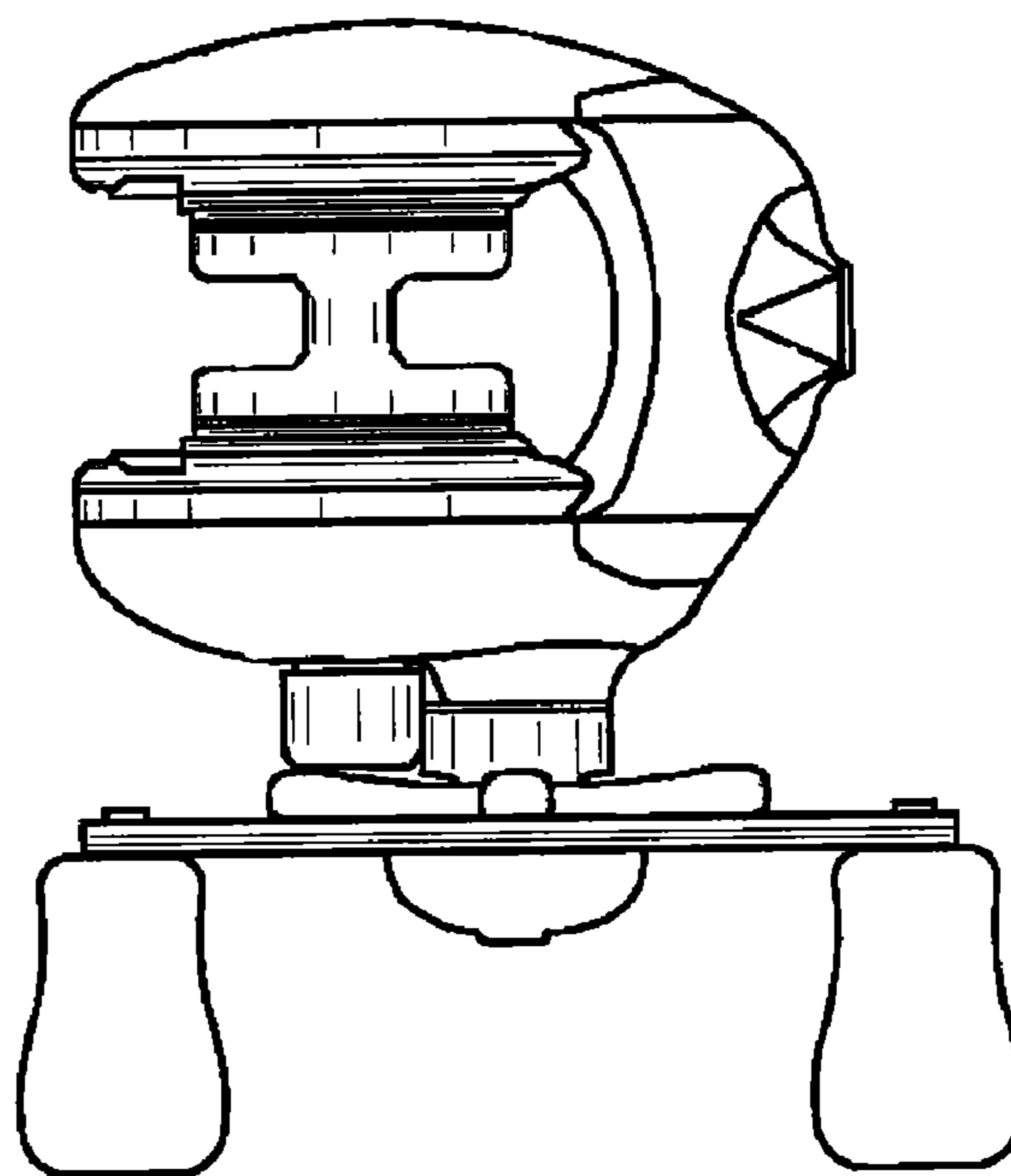


FIG. 1

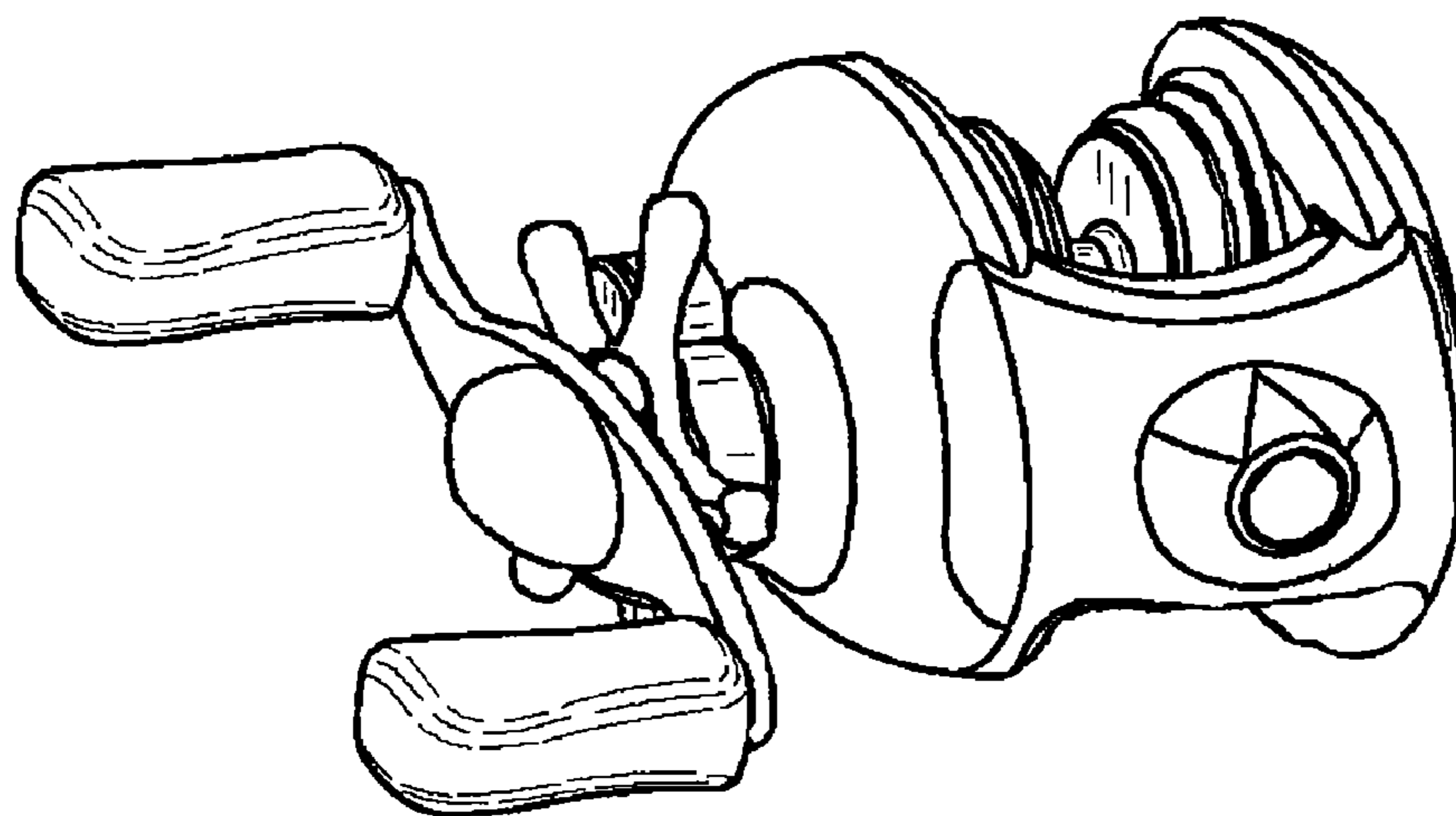


FIG. 2

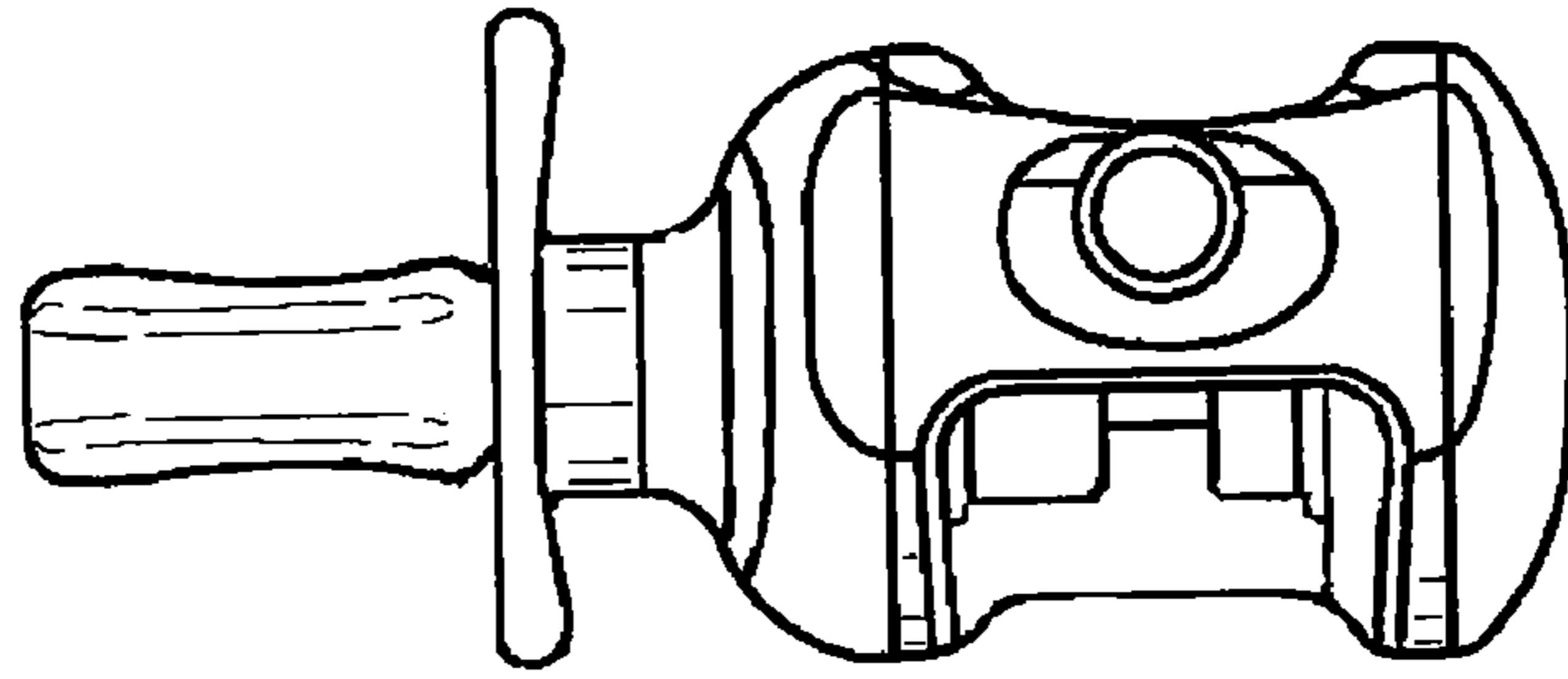


FIG. 3

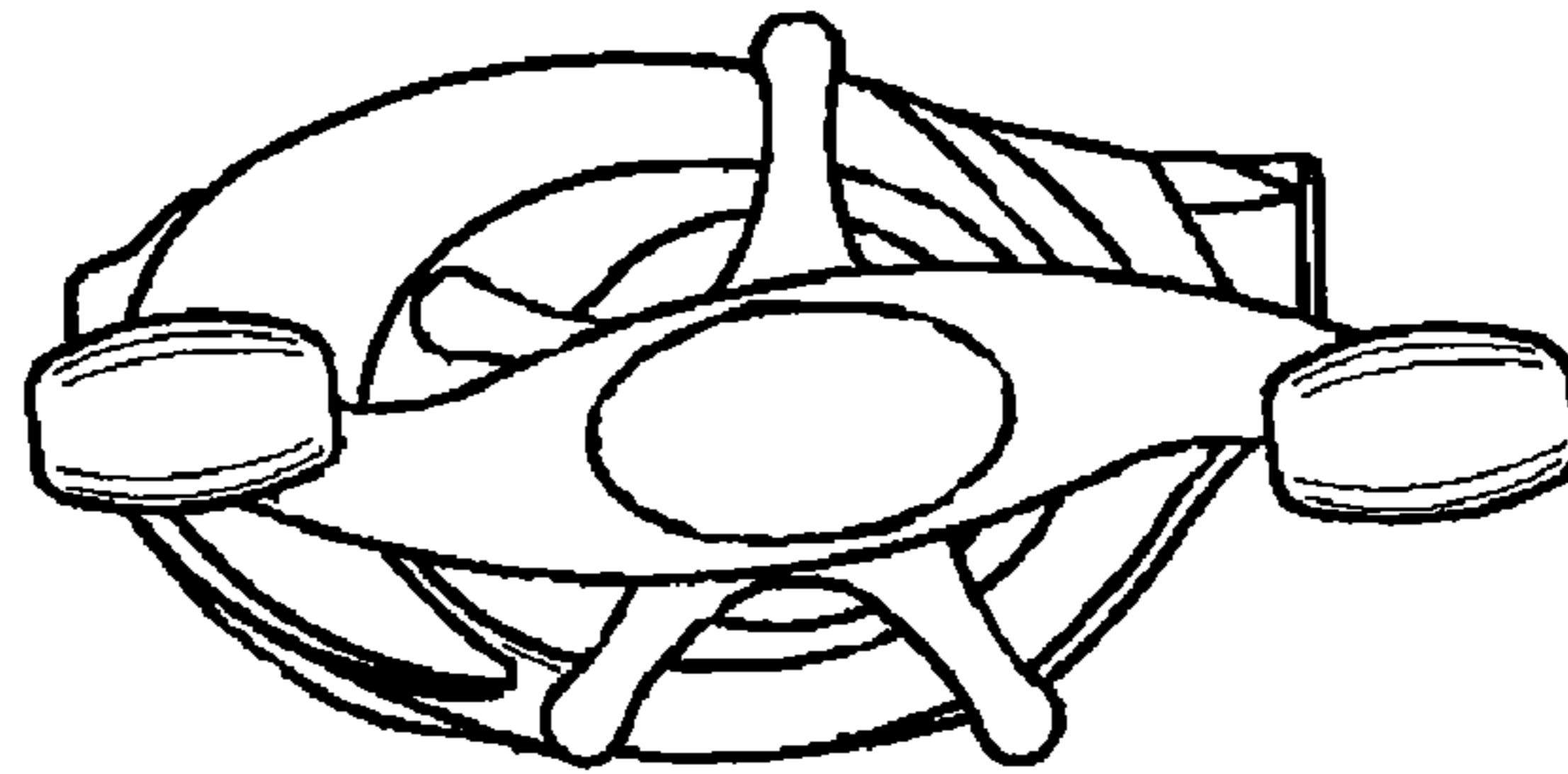


FIG. 4

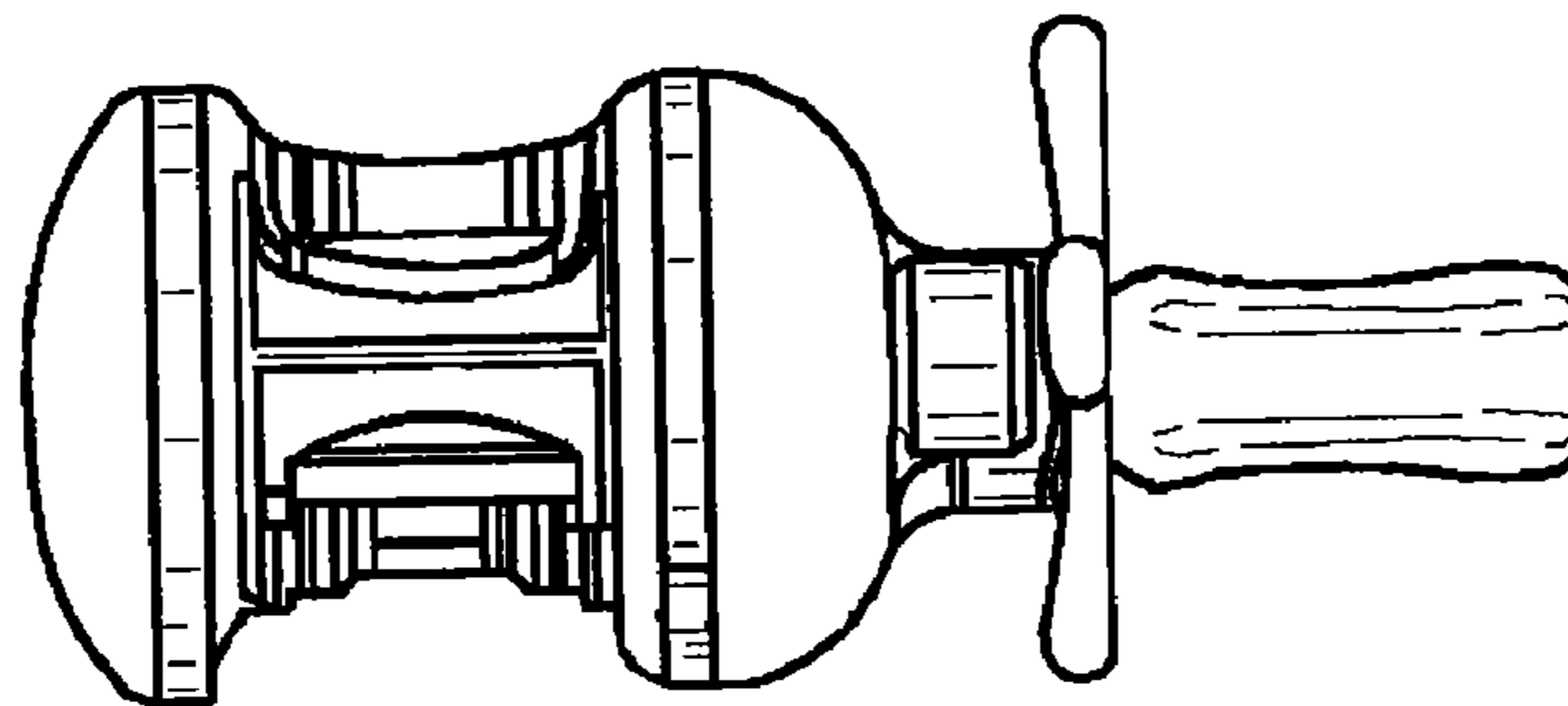


FIG. 5