

US00D660935S

(12) **United States Design Patent**  
**Hardigree**

(10) **Patent No.:** **US D660,935 S**

(45) **Date of Patent:** **\*\* May 29, 2012**

(54) **FLYING PEST TRAP**

(76) Inventor: **Walter T. Hardigree**, Hartwell, GA  
(US)

(\*\*) Term: **14 Years**

(21) Appl. No.: **29/393,988**

(22) Filed: **Jun. 10, 2011**

(51) **LOC (9) Cl.** ..... **22-06**

(52) **U.S. Cl.** ..... **D22/122**

(58) **Field of Classification Search** ..... D22/119-124;  
43/58, 60, 107, 112-114, 121, 132.1  
See application file for complete search history.

(56) **References Cited**

U.S. PATENT DOCUMENTS

D256,715 S *	9/1980	Gombert et al. ....	D22/122
D256,716 S *	9/1980	Gombert et al. ....	D22/122
D329,681 S *	9/1992	Demarest et al. ....	D22/122
D358,443 S *	5/1995	Demarest et al. ....	D22/122
D377,961 S *	2/1997	Dickson et al. ....	D22/122
D456,481 S *	4/2002	Stevenson et al. ....	D22/122
7,694,456 B1 *	4/2010	Curtis .....	43/122

\* cited by examiner

*Primary Examiner* — Catheri Oliver

(74) *Attorney, Agent, or Firm* — Smith Risley Tempel Santos LLC; Matthew T. Hoots

(57) **CLAIM**

The ornamental design for a flying pest trap, as shown and described.

**DESCRIPTION**

This application is related to the United States Non-provisional utility application filed concurrently herewith under 37 CFR 1.53(b), having a title of Flying Pest Trap, identified 13/158,285 and filed under customer No. 35856, the entire contents of which are hereby incorporated by reference.

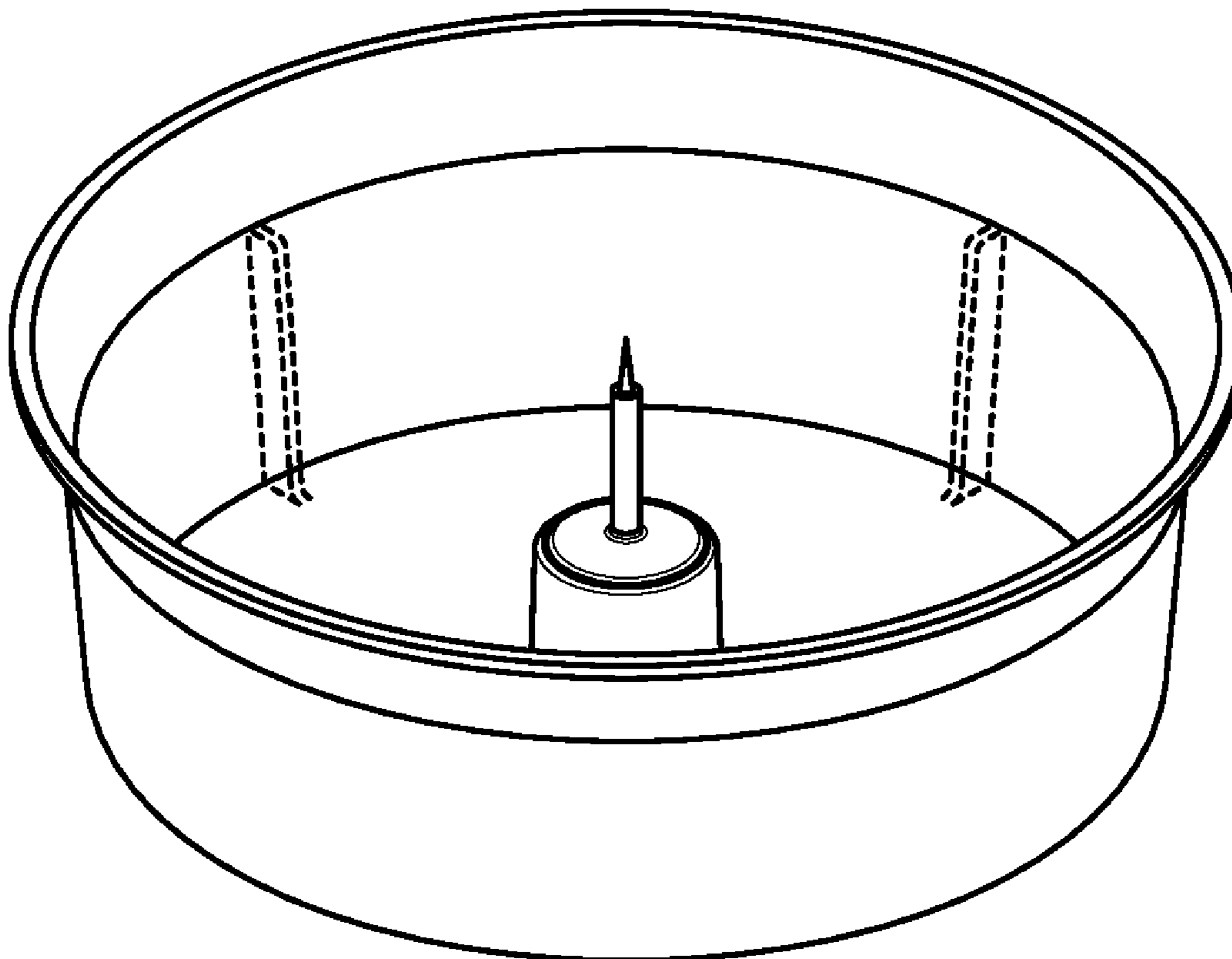
FIG. 1 is a perspective view of my new ornamental design for a flying pest trap;

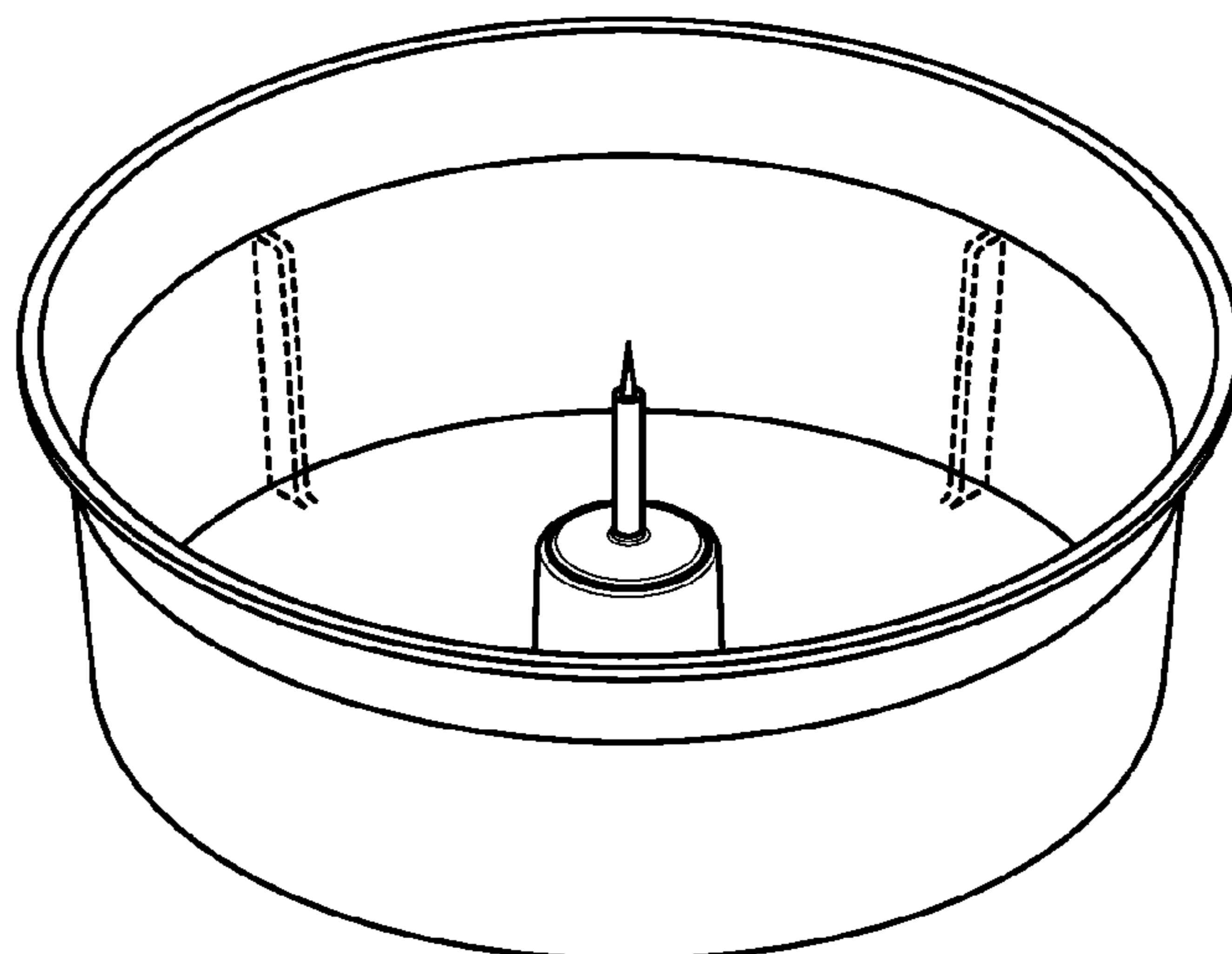
FIG. 2 is a top plan view of the flying pest trap shown in FIG. 1; and,

FIG. 3 is a cross sectional view of the flying pest trap, shown along line 3-3 of FIG. 2.

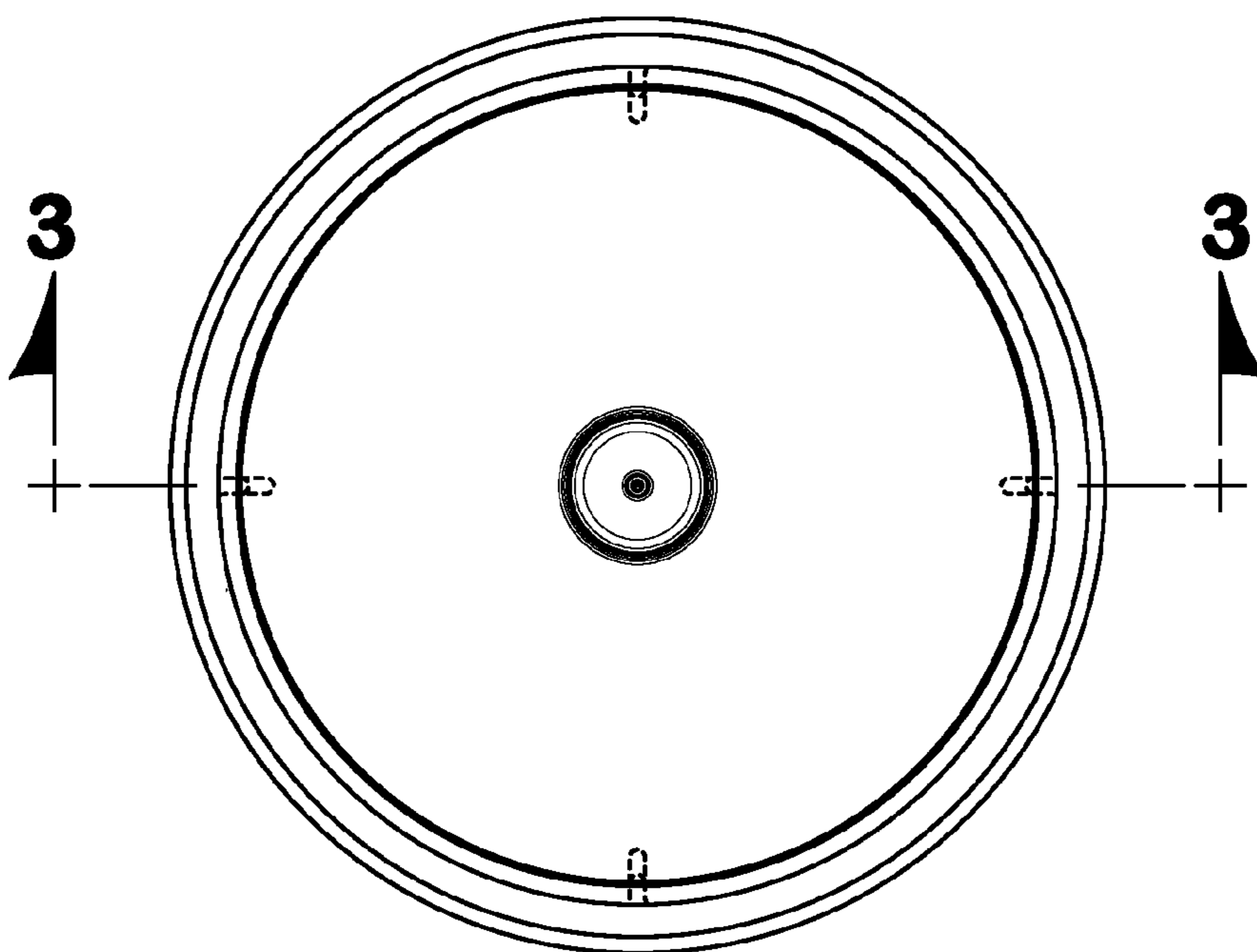
One illustrative embodiment is provided. The illustrated embodiment shows the structure of a flying pest trap. The broken lines in the drawings are for illustrative purposes only and form no part of the claimed design.

**1 Claim, 1 Drawing Sheet**

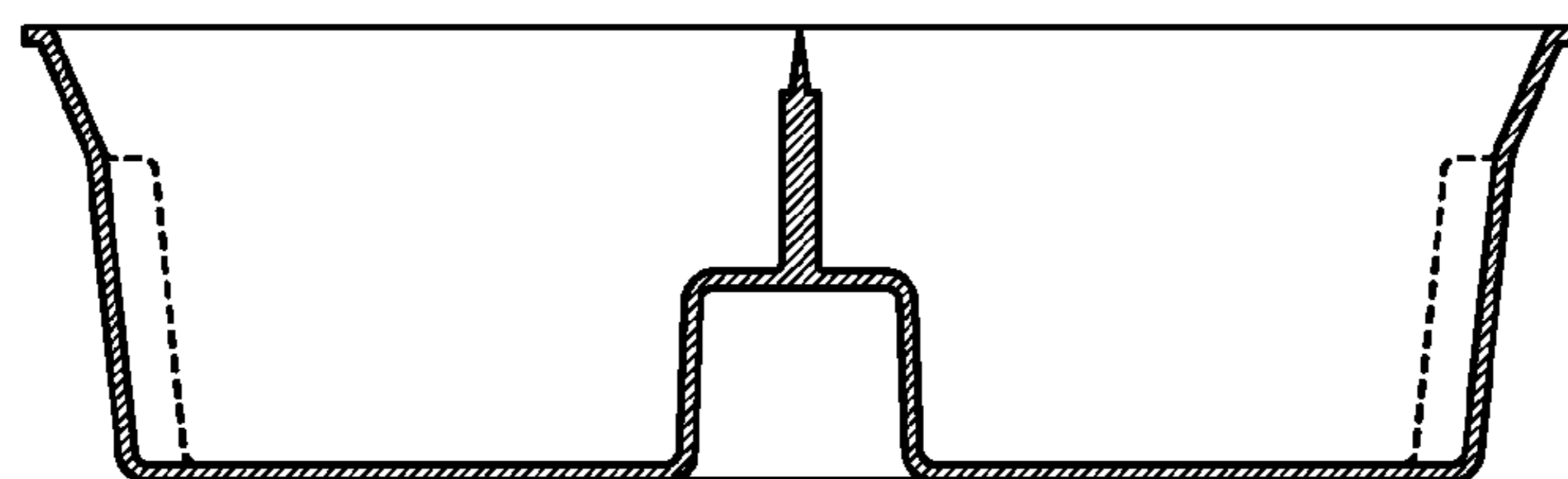




**FIG. 1**



**FIG. 2**



**FIG. 3**