

US00D660934S

(12) **United States Design Patent**
Faifer

(10) **Patent No.:** **US D660,934 S**

(45) **Date of Patent:** **** May 29, 2012**

(54) **FOREGRIP**

7,111,424 B1 9/2006 Moody
7,117,624 B2 10/2006 Kim
7,117,627 B2 10/2006 Woodmansee, III et al.

(76) Inventor: **Sagi Faifer**, Tel Aviv (IL)

(Continued)

(**) Term: **14 Years**

FOREIGN PATENT DOCUMENTS

(21) Appl. No.: **29/396,752**

GB 2456545 7/2009

(22) Filed: **Jul. 6, 2011**

Primary Examiner — Michael Pratt

(74) *Attorney, Agent, or Firm* — Law Office of Arthur M. Antonelli, PLLC

(51) **LOC (9) Cl.** **22-01**

(52) **U.S. Cl.** **D22/108**

(58) **Field of Classification Search** D22/108–109;
42/94, 114, 146; 248/171; 72/72; 362/109–114
See application file for complete search history.

(57) **CLAIM**

The ornamental design for a foregrip, as shown and described.

DESCRIPTION

(56) **References Cited**

U.S. PATENT DOCUMENTS

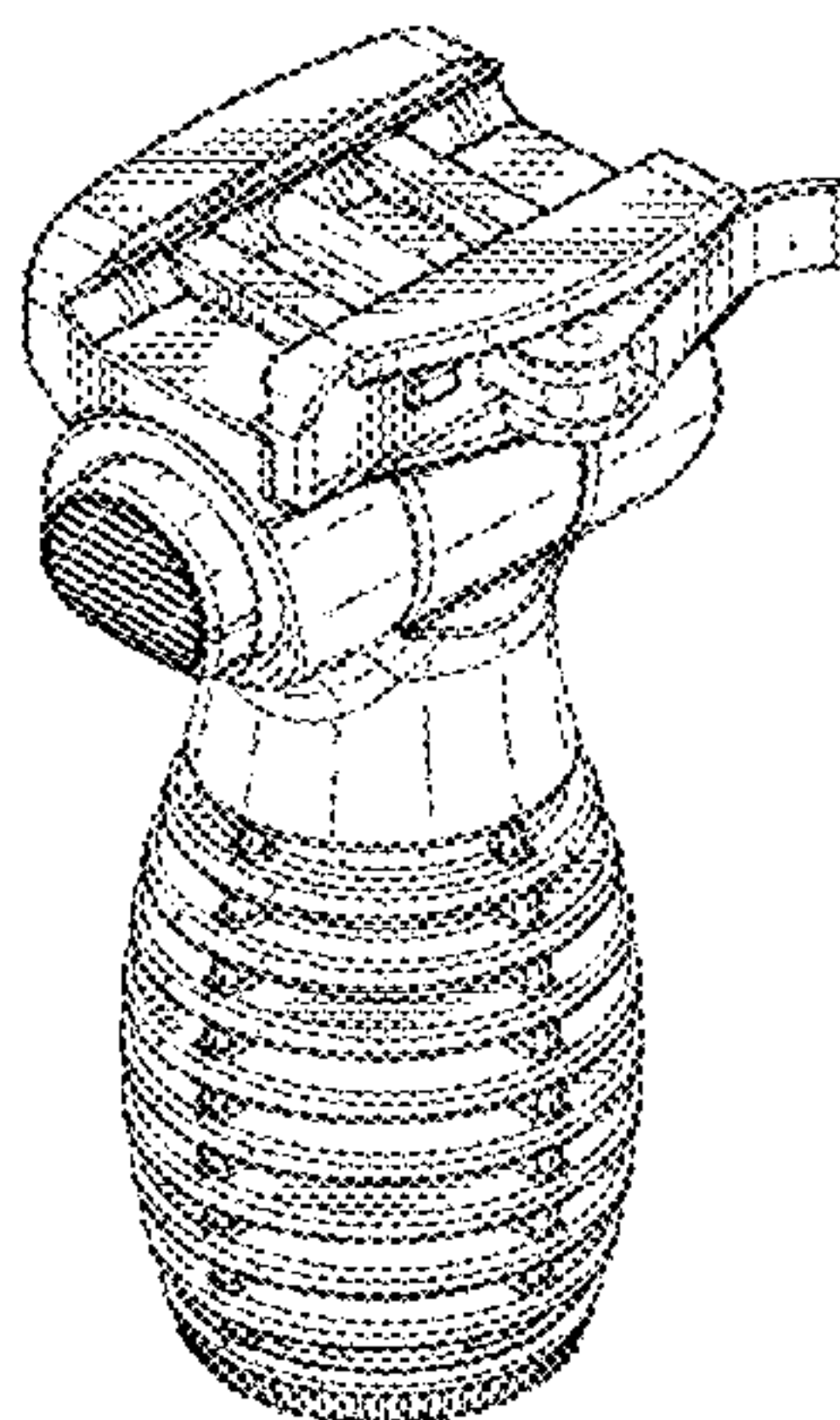
1,448,352	A	3/1923	Barany
1,535,459	A	4/1925	Fredrickson
2,140,880	A	12/1938	Benton
2,236,736	A	4/1941	Scott
3,235,997	A	2/1966	Stoner
3,442,173	A	5/1969	Muller
4,367,606	A	1/1983	Bechtel
4,545,660	A	10/1985	Rudolf
4,675,486	A	6/1987	Niinuma
4,856,218	A	8/1989	Reynolds, Jr.
4,965,952	A	10/1990	Miller et al.
4,984,090	A	1/1991	Sasaki et al.
5,097,613	A	3/1992	Miller et al.
5,430,967	A	7/1995	Woodman, III et al.
5,590,951	A	1/1997	Matthews
5,711,103	A	1/1998	Keng
6,046,572	A	4/2000	Matthews et al.
6,185,854	B1	2/2001	Solinsky et al.
6,230,431	B1	5/2001	Bear
6,250,008	B1	6/2001	Silver
6,289,622	B1	9/2001	Desch et al.
6,622,416	B2	9/2003	Kim
6,641,277	B2	11/2003	Smith
6,663,071	B2	12/2003	Peterson
6,763,627	B1	7/2004	Kaempe
6,785,997	B2	9/2004	Oz
6,817,728	B2	11/2004	Goko
6,843,015	B2	1/2005	Sharp
7,032,494	B2	4/2006	Wygant

A portion of the disclosure of this patent document contains material to which a claim for copyright is made. The copyright owner has no objection to the facsimile reproduction by anyone of the patent document or the patent disclosure, as it appears in the Patent and Trademark Office patent file or records, but reserves all other copyright rights whatsoever.

FIG. 1 is a perspective view of a foregrip in accordance with my new design;
FIG. 2 is a front right bottom perspective view thereof;
FIG. 3 is a rear view thereof;
FIG. 4 is a front view thereof;
FIG. 5 is a right side view thereof;
FIG. 6 is a top view thereof;
FIG. 7 is a left side view thereof;
FIG. 8 is a bottom view thereof;
FIG. 9 is a perspective view of another embodiment of the foregrip in accordance with my new design;
FIG. 10 is a front right bottom perspective view thereof;
FIG. 11 is a rear view thereof;
FIG. 12 is a front view thereof;
FIG. 13 is a right side view thereof;
FIG. 14 is a top view thereof;
FIG. 15 is a left side view thereof; and,
FIG. 16 is a bottom view thereof.

All portions shown in broken lines are environmental and illustrative only and form no part of the claimed design.

1 Claim, 8 Drawing Sheets

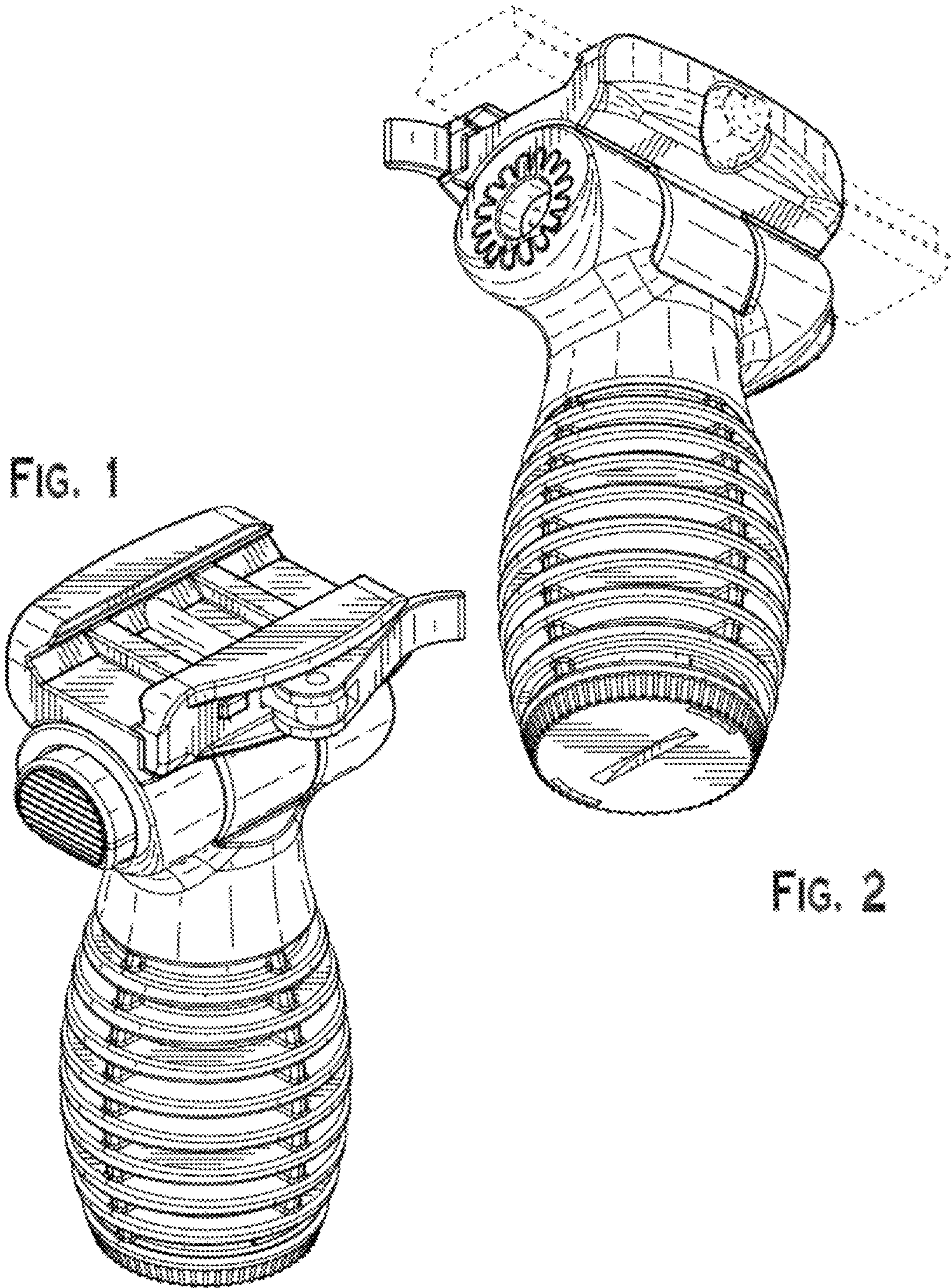


US D660,934 S

Page 2

U.S. PATENT DOCUMENTS							
7,143,672	B1	12/2006	Di Bitonto et al.	D633,163	S *	2/2011	Fitzpatrick et al. D22/108
7,197,844	B2	4/2007	Benson	7,900,390	B2	3/2011	Moody et al.
D542,446	S	5/2007	Di Carlo et al.	7,909,301	B2	3/2011	Faifer
7,273,292	B2	9/2007	Kim	D642,651	S *	8/2011	Faifer D22/108
7,310,903	B2	12/2007	Kim	7,987,623	B1 *	8/2011	Moody et al. 42/72
7,325,352	B2	2/2008	Mathews et al.	7,987,625	B1 *	8/2011	Moody et al. 42/94
D566,219	S	4/2008	Moody et al.	D644,707	S *	9/2011	Faifer D22/108
D566,220	S	4/2008	Moody et al.	8,069,603	B2 *	12/2011	Moody et al. 42/72
7,360,333	B2	4/2008	Kim	2002/0100204	A1 *	8/2002	Kim 42/146
D585,517	S	1/2009	Faifer	2004/0060222	A1	4/2004	Oz
7,490,429	B2	2/2009	Moody et al.	2005/0188596	A1	9/2005	Wygant
7,523,583	B2	4/2009	Cheng	2005/0241206	A1	11/2005	Teetzel
7,559,167	B1	7/2009	Moody et al.	2006/0278797	A1	12/2006	Keng et al.
7,568,304	B1	8/2009	Moody et al.	2008/0052979	A1	3/2008	Lee
7,584,568	B1	9/2009	Brownlee	2008/0205037	A1	8/2008	Griffin
7,591,098	B2	9/2009	Mathews et al.	2008/0209789	A1	9/2008	Oz
7,621,065	B2	11/2009	Gablowski	2009/0038199	A1	2/2009	Oz
7,685,761	B2	3/2010	Wu	2009/0038200	A1	2/2009	Keng
D617,863	S *	6/2010	Moody et al. D22/108	2009/0140015	A1	6/2009	Faifer
7,731,380	B2	6/2010	Wu	2010/0229452	A1	9/2010	Suk
7,736,013	B2	6/2010	Griffin	2010/0290213	A1 *	11/2010	Griffin 362/119
7,823,855	B2	11/2010	Faifer	2011/0047850	A1 *	3/2011	Rievley et al. 42/72
7,837,346	B2 *	11/2010	Griffin 362/191	2011/0255270	A1 *	10/2011	Gross et al. 362/110

* cited by examiner



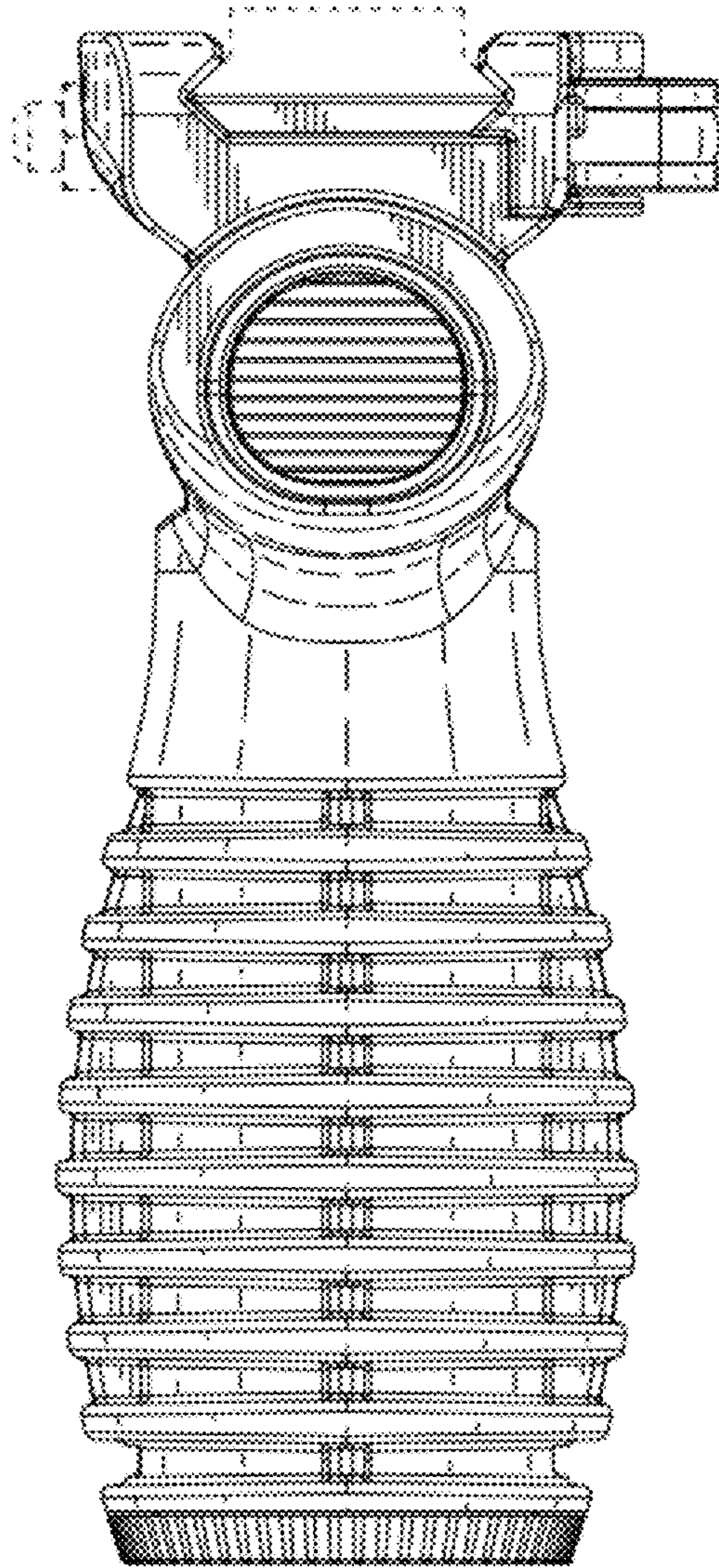


FIG. 3

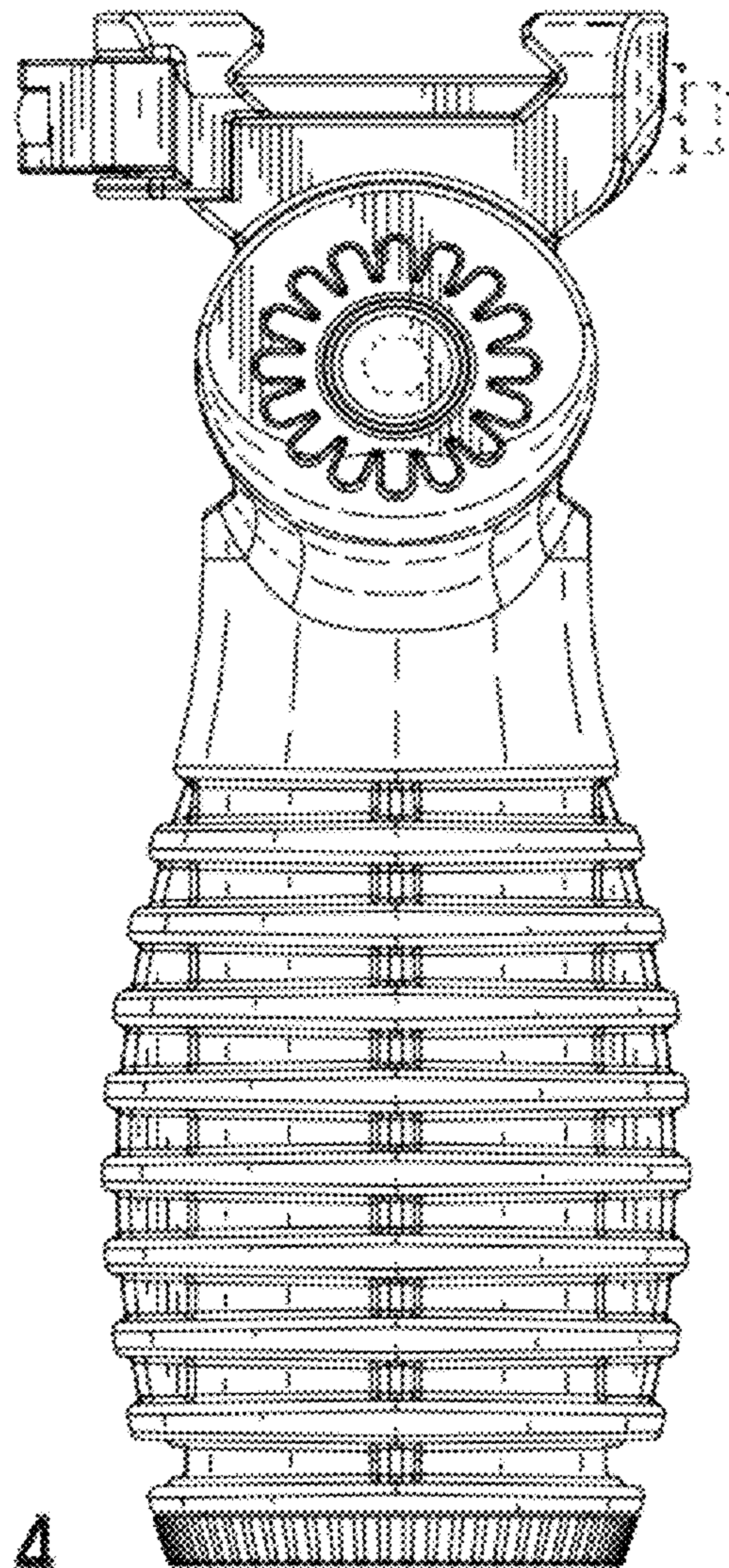


FIG. 4

FIG. 5

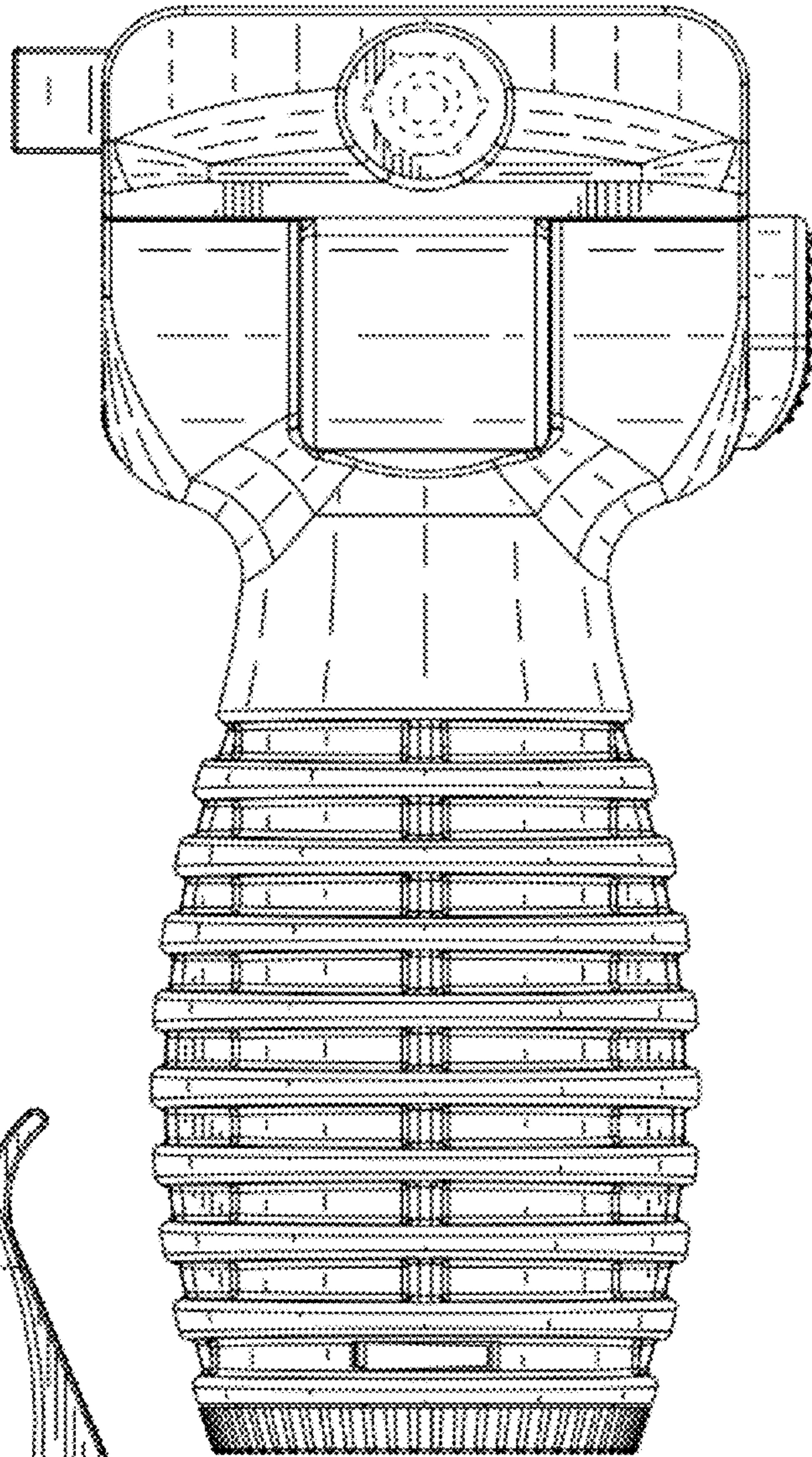


FIG. 6

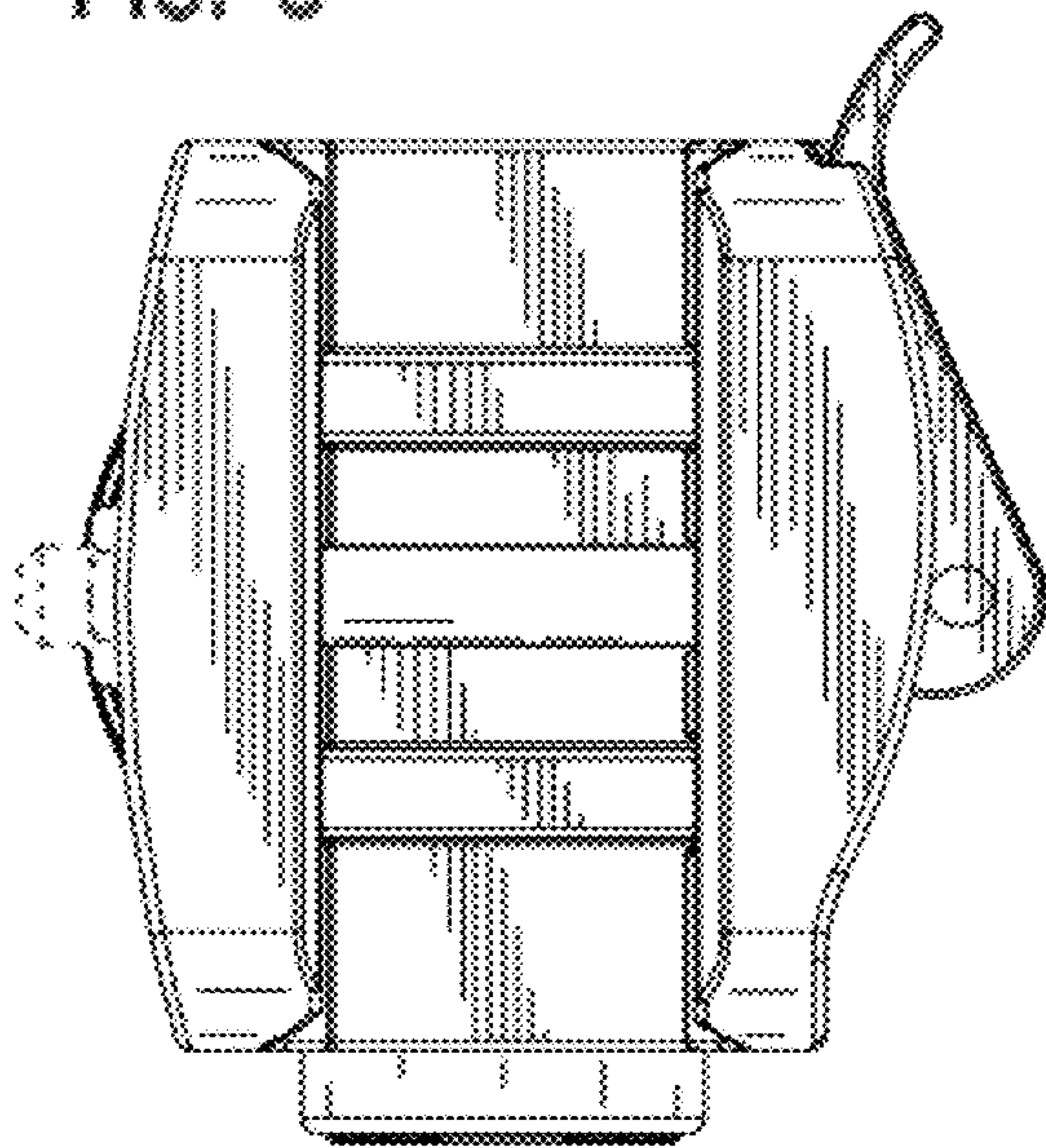


FIG. 7

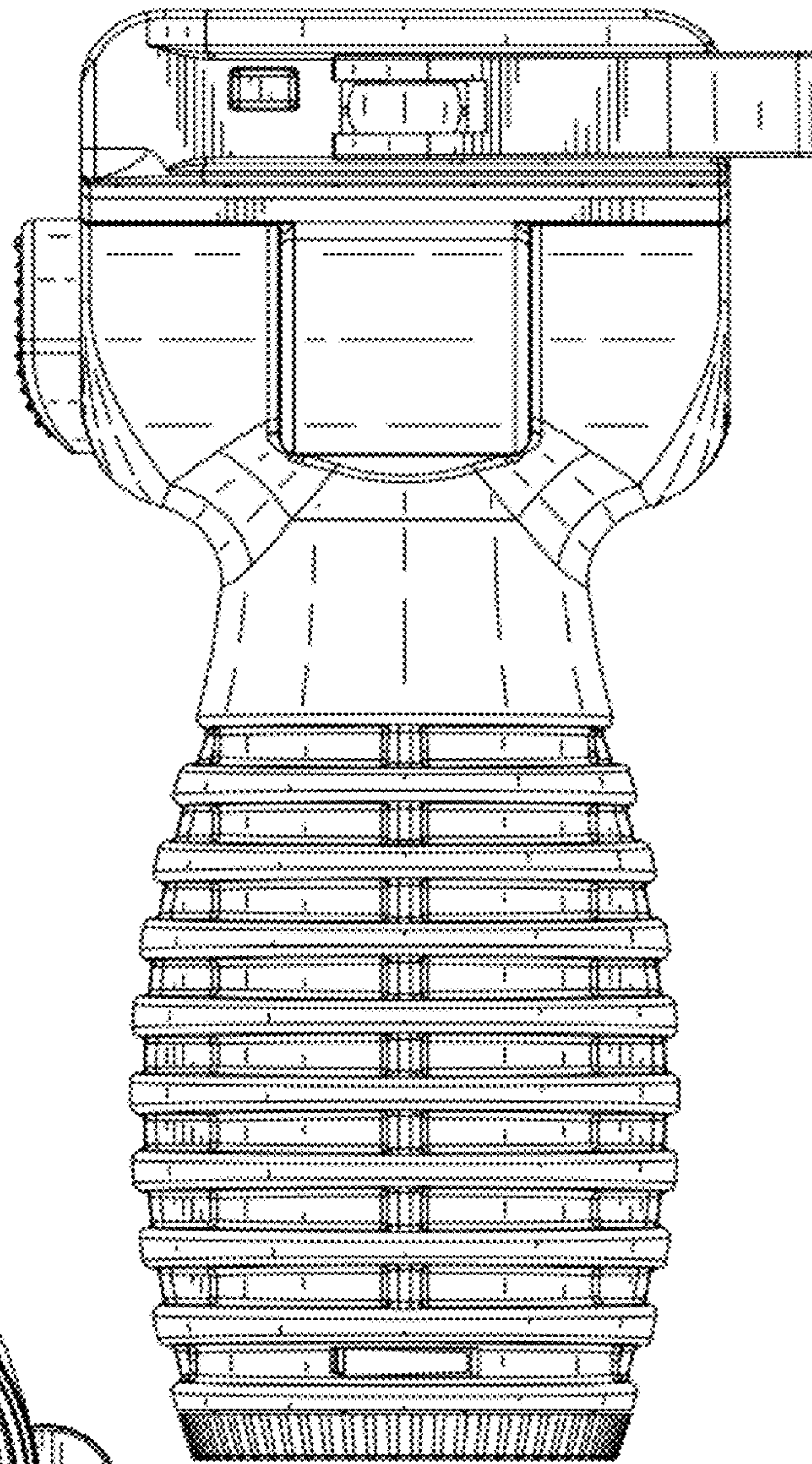
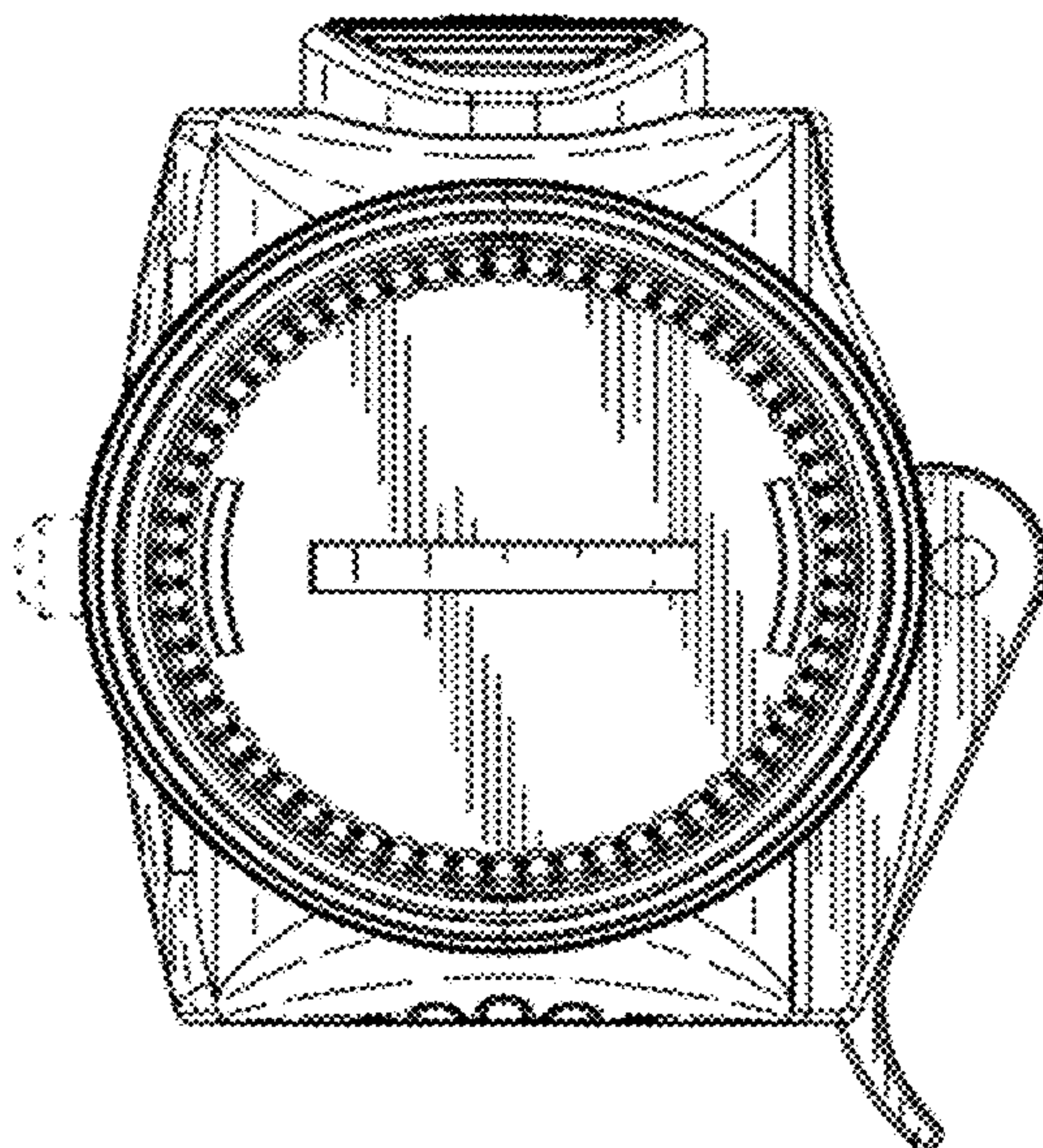
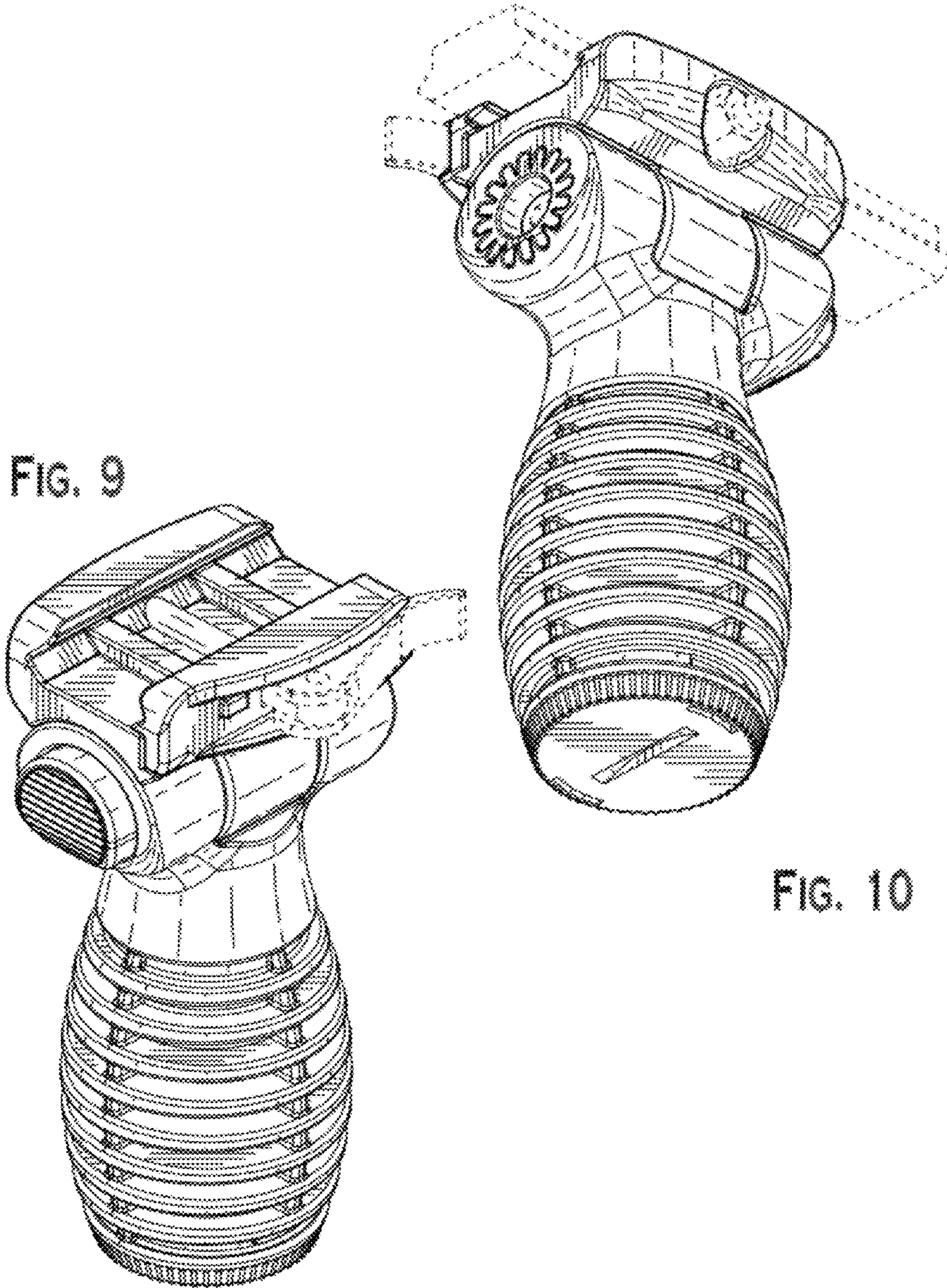


FIG. 8





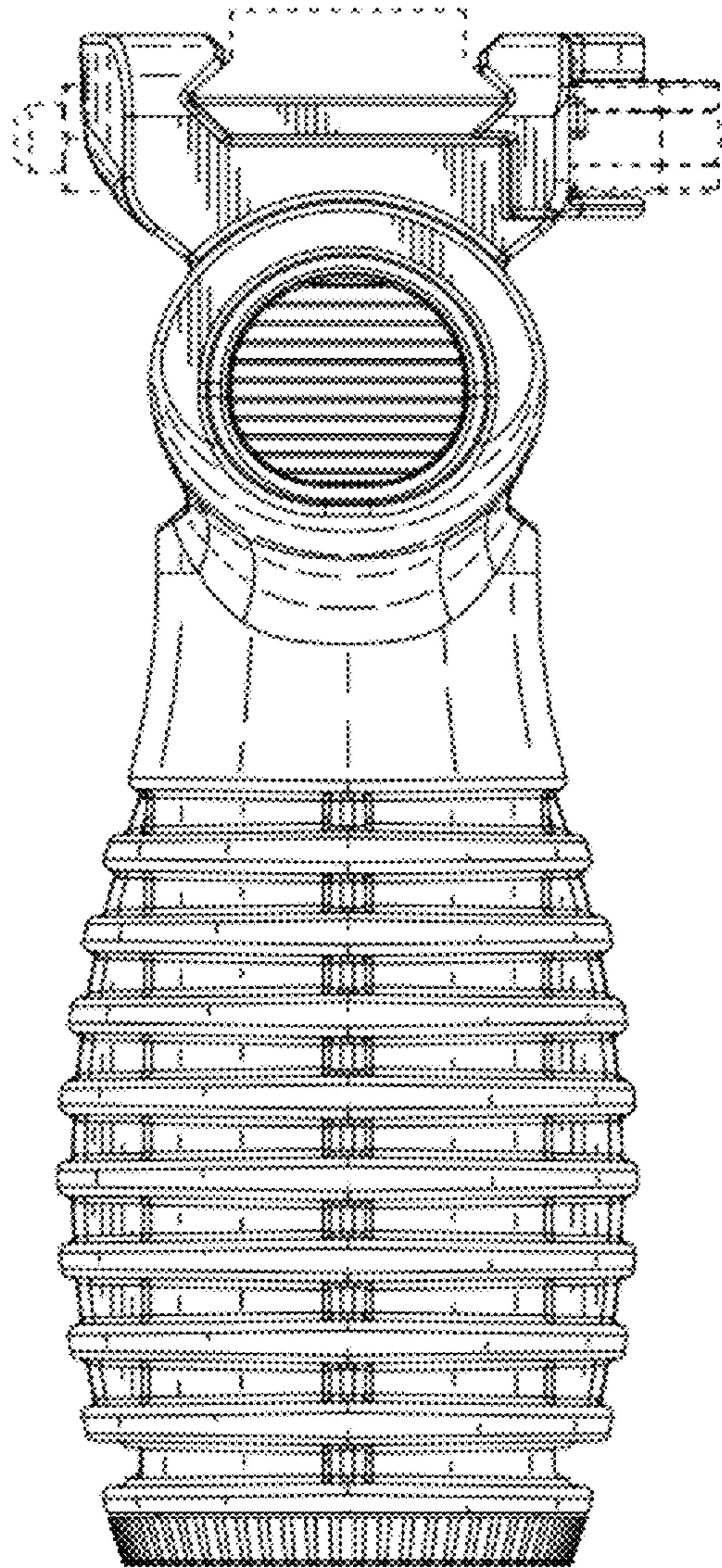


FIG. 11

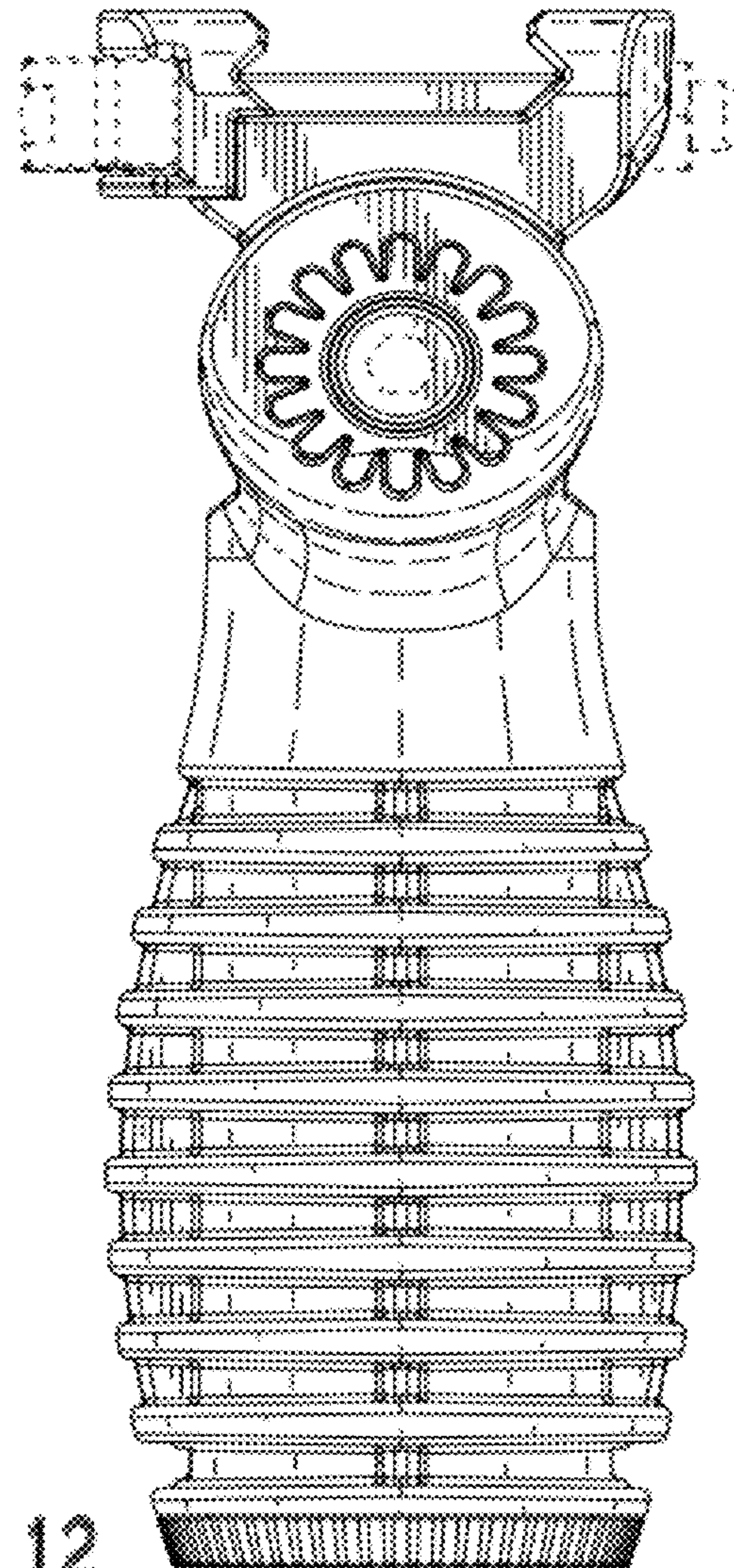


FIG. 12

FIG. 13

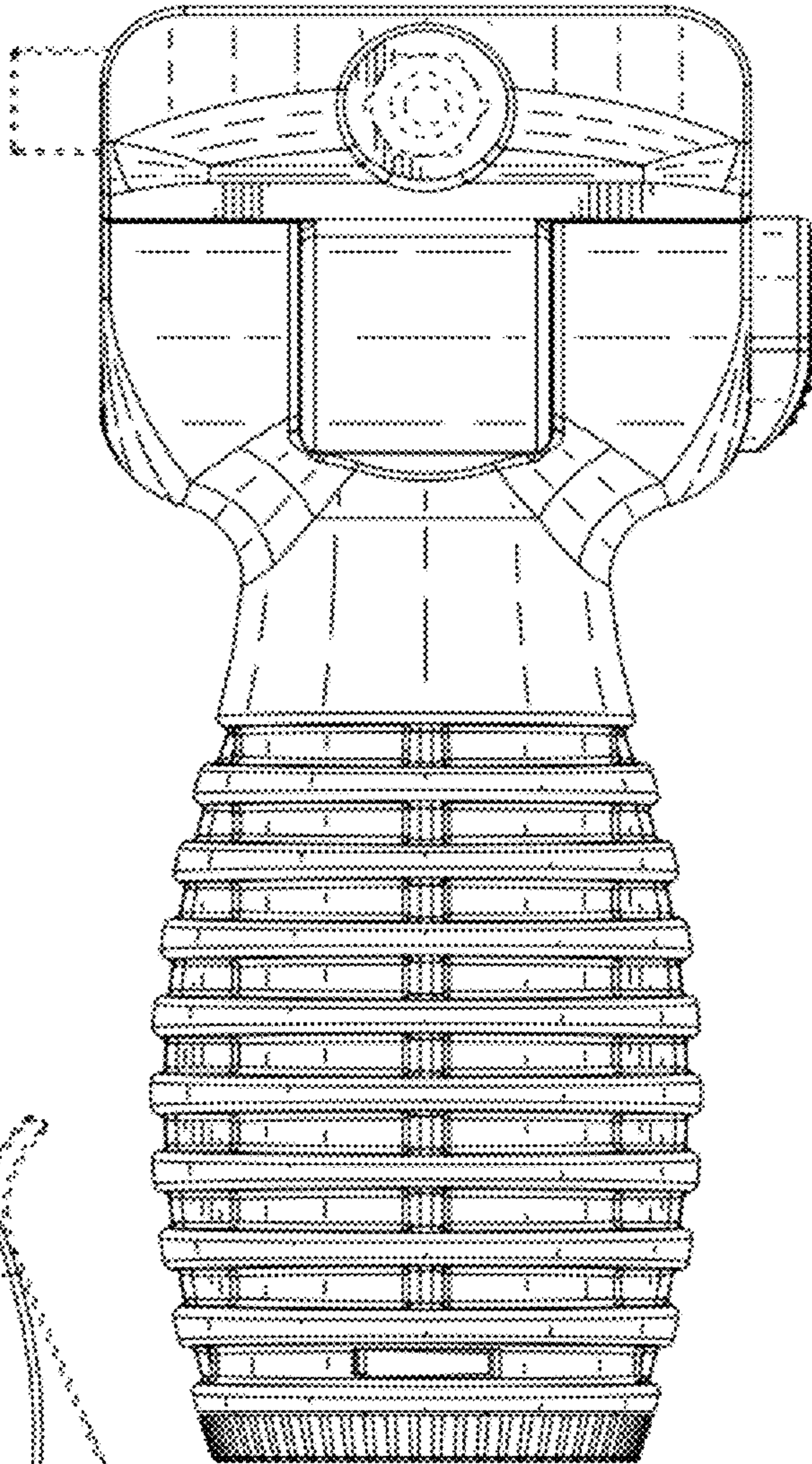


FIG. 14

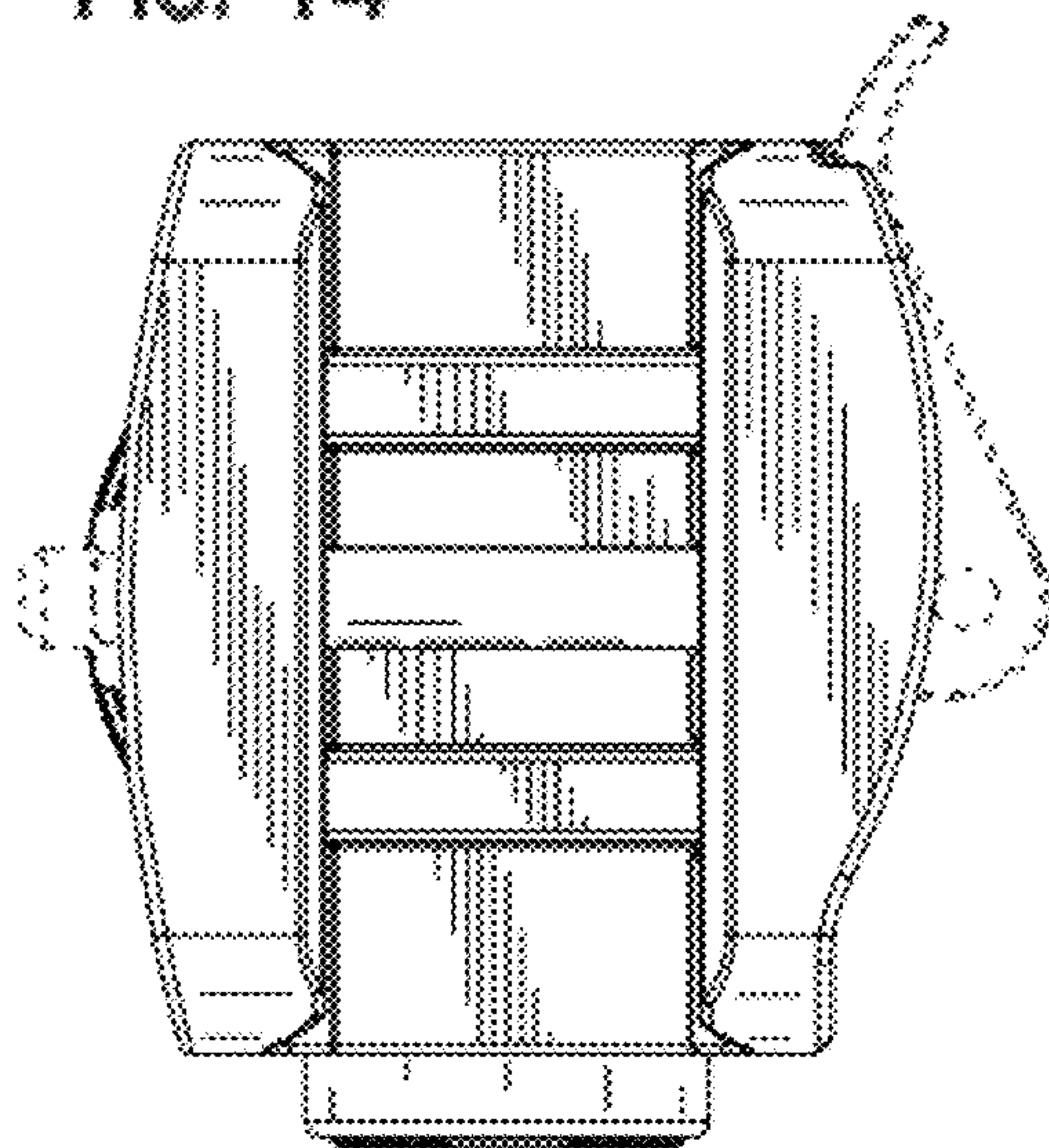


FIG. 15

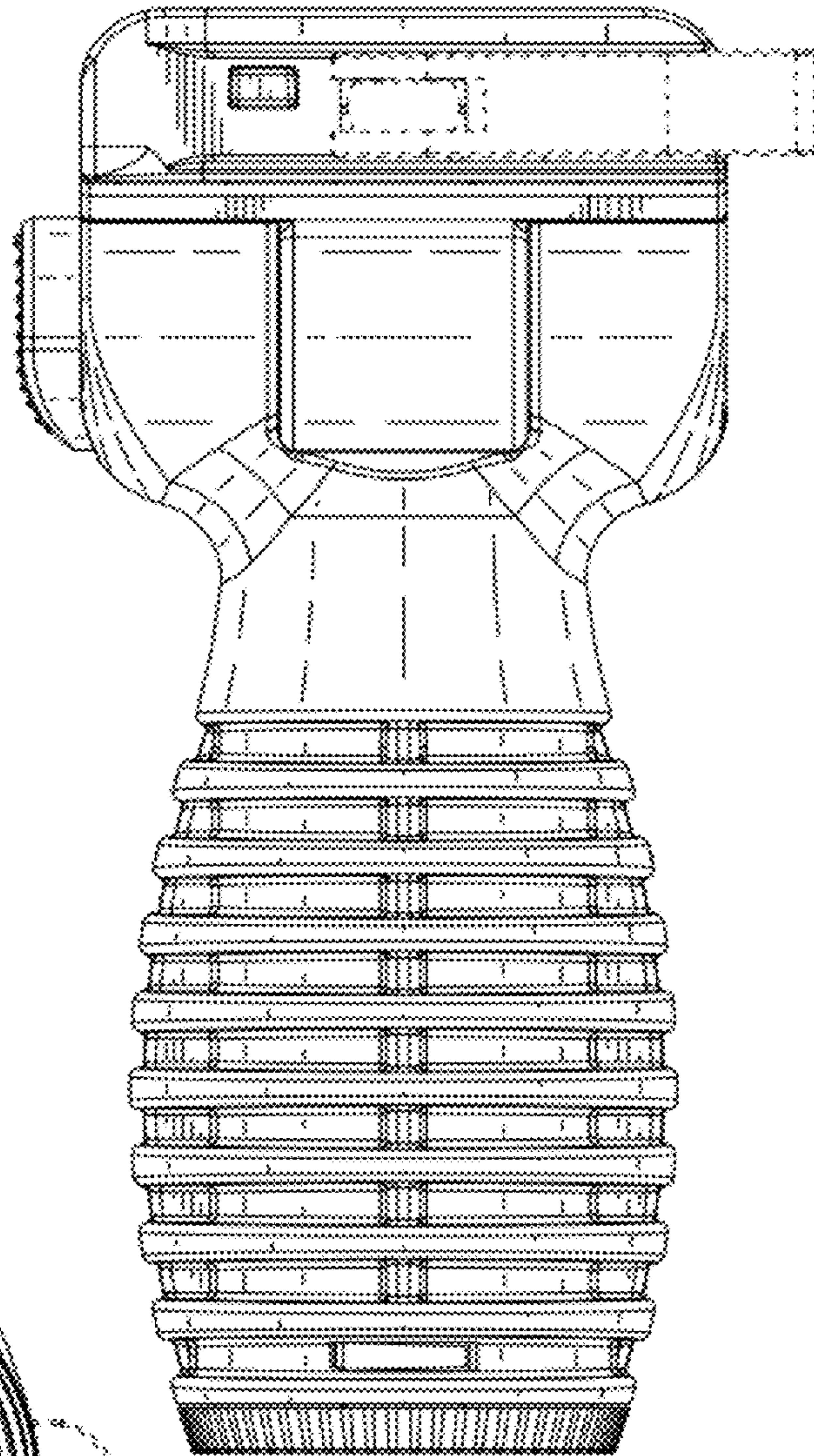


FIG. 16

