



US00D660928S

(12) **United States Design Patent**
Guarrasi

(10) **Patent No.:** **US D660,928 S**
(45) **Date of Patent:** **** May 29, 2012**

(54) **TRAINING DEVICE FOR BALANCE,
AGILITY AND PROPRIOCEPTION
EXERCISES**

(75) Inventor: **Gasper Guarrasi**, Long Beach, CA
(US)

(73) Assignee: **G2 Lifestyles LLC**, Long Beach, CA
(US)

(**) Term: **14 Years**

(21) Appl. No.: **29/397,377**

(22) Filed: **Jul. 14, 2011**

(51) **LOC (9) Cl.** **21-02**

(52) **U.S. Cl.** **D21/686; D21/688; D21/689**

(58) **Field of Classification Search** D21/662,
D21/670, 671, 686, 688, 689, 694; 482/36,
482/51, 76, 77, 79, 110, 131, 142, 146, 147;
119/712; 600/592; D6/455

See application file for complete search history.

(56) **References Cited**

U.S. PATENT DOCUMENTS

| | | | | |
|-----------|-----|--------|-----------------------|---------|
| 3,024,021 | A * | 3/1962 | Coplin et al. | 482/146 |
| 3,604,726 | A * | 9/1971 | Tracy | 280/205 |
| D223,112 | S * | 3/1972 | King | D21/689 |
| D223,113 | S * | 3/1972 | King | D21/689 |
| 3,716,229 | A * | 2/1973 | Van Der Cleyen et al. | 482/77 |

| | | | | |
|-----------|------|---------|-----------|---------|
| 3,984,100 | A * | 10/1976 | Firster | 482/79 |
| 4,491,318 | A * | 1/1985 | Francke | 482/147 |
| D306,049 | S * | 2/1990 | Bancroft | D21/688 |
| D345,473 | S * | 3/1994 | Grundmann | D6/455 |
| 5,647,830 | A * | 7/1997 | Togao | 482/146 |
| 5,810,703 | A * | 9/1998 | Stack | 482/146 |
| 6,019,712 | A * | 2/2000 | Duncan | 482/110 |
| 7,137,938 | B2 * | 11/2006 | Gottlieb | 482/146 |
| D612,896 | S * | 3/2010 | Talley | D21/686 |
| D627,015 | S * | 11/2010 | Senegal | D21/689 |

* cited by examiner

Primary Examiner — Susan E Krakower

(74) *Attorney, Agent, or Firm* — Charter IP LLC; Matthew J. Lattig

(57) **CLAIM**

The ornamental design for a training device for balance, agility, and proprioception exercises, as shown and described.

DESCRIPTION

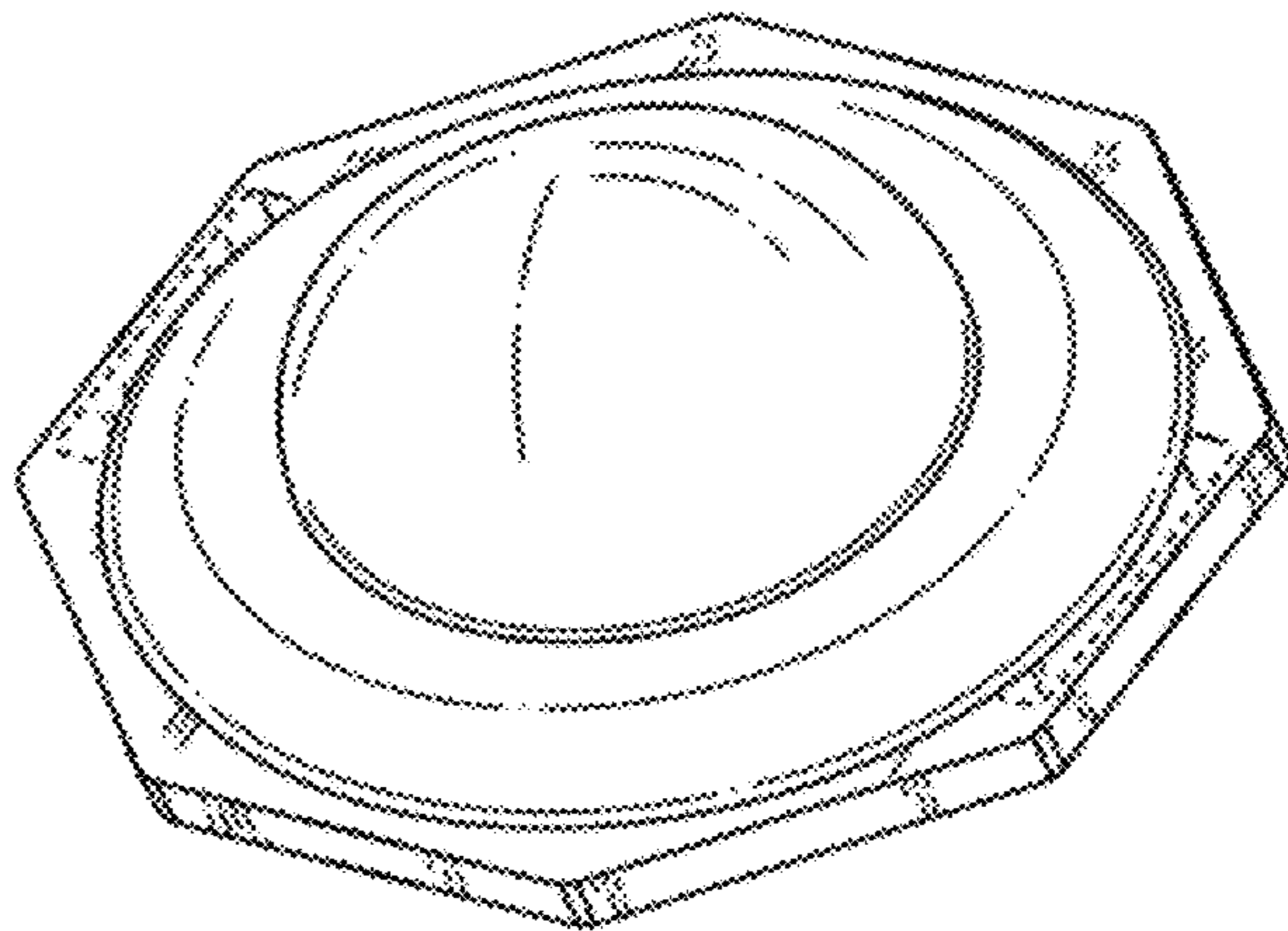
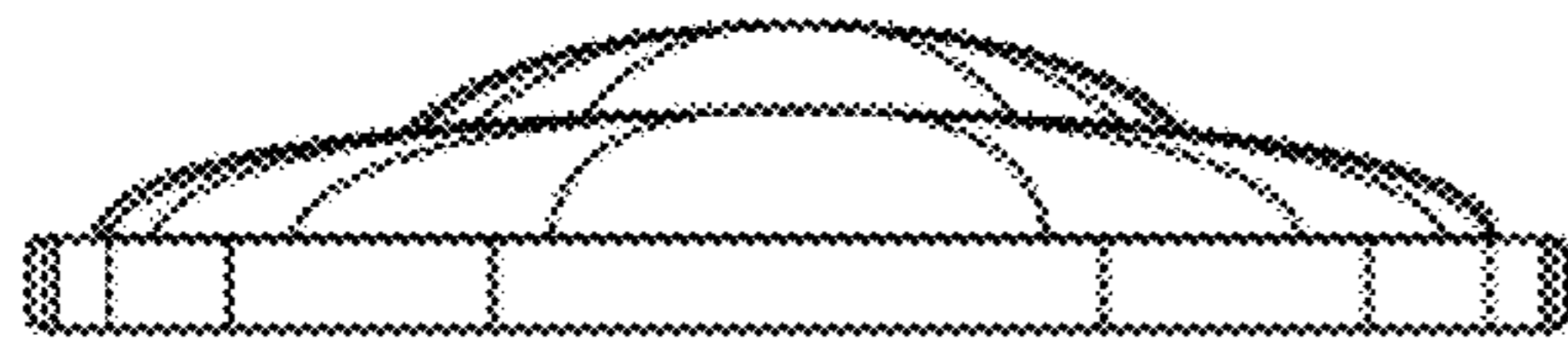
FIG. 1 is a top plan view of a training device for balance, agility, and proprioception exercises showing my new design. FIG. 2 is a bottom plan view thereof.

FIG. 3 is a front plan view thereof, each of the rear plan view, right side elevational view, and left side elevational view being a mirror image of the front plan view and therefore not illustrated; and,

FIG. 4 is a perspective view thereof.

The broken lines illustrate portions of the training device which form no part of the claimed design.

1 Claim, 2 Drawing Sheets



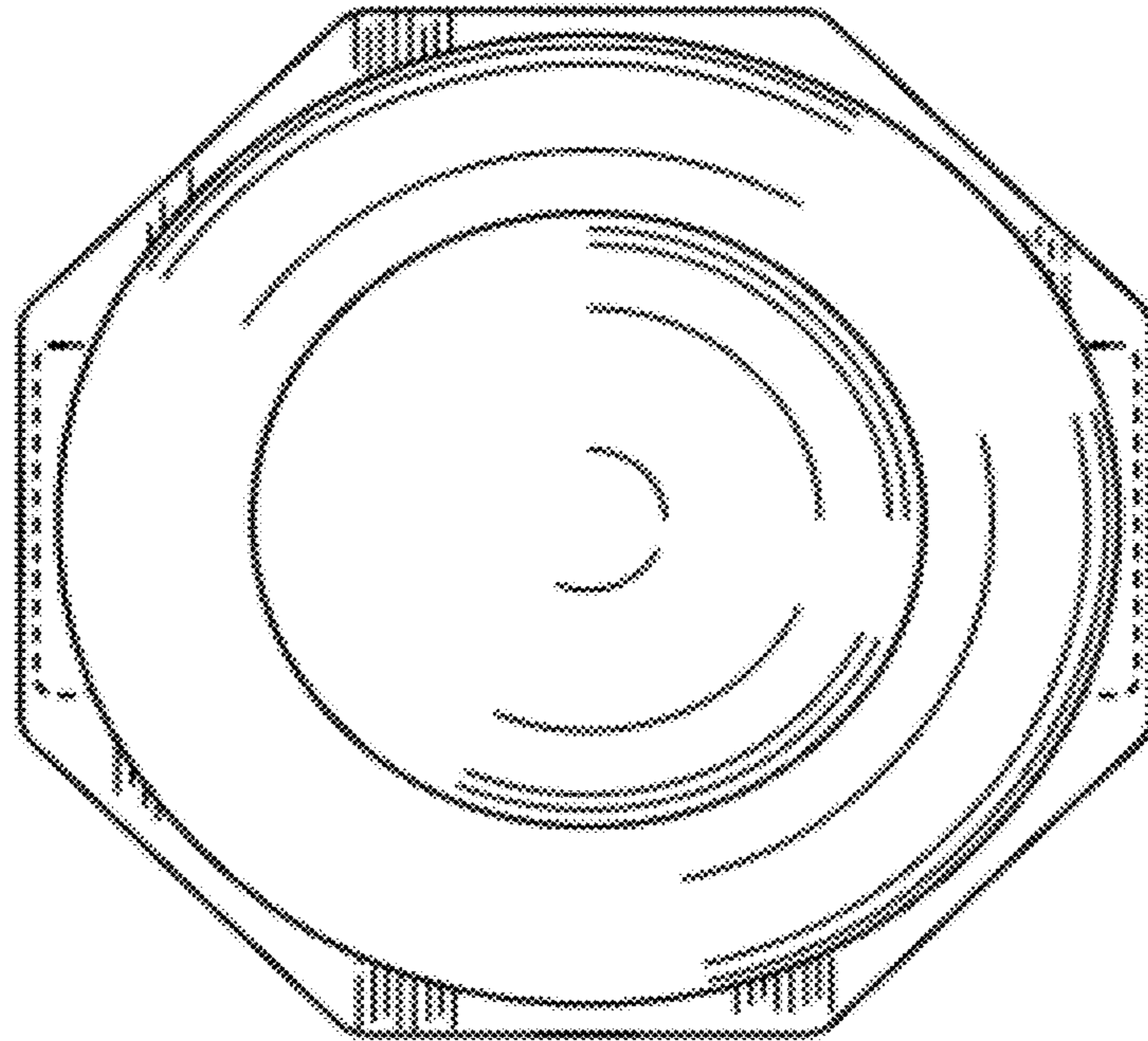


FIG. 1

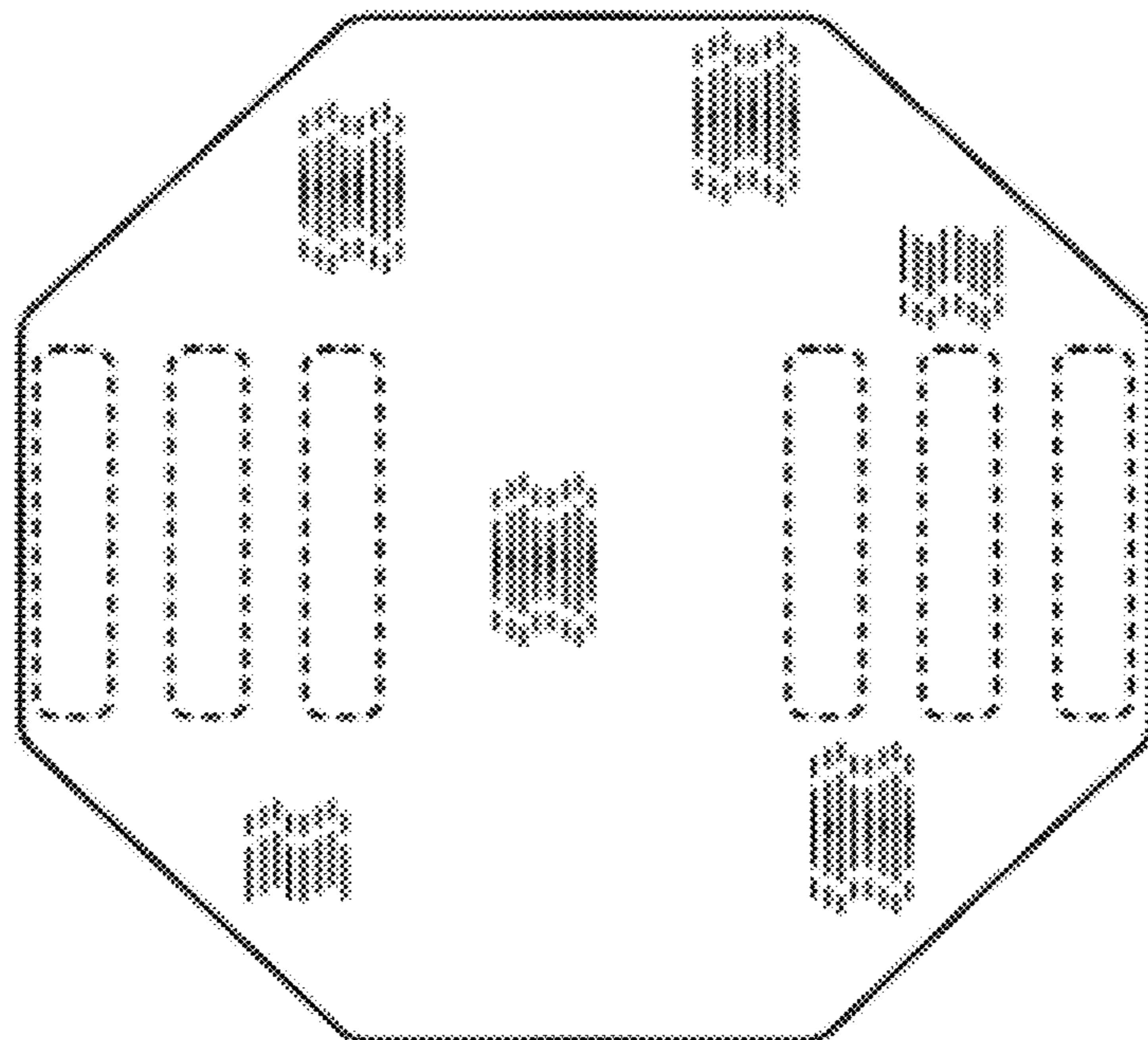


FIG. 2



FIG. 3

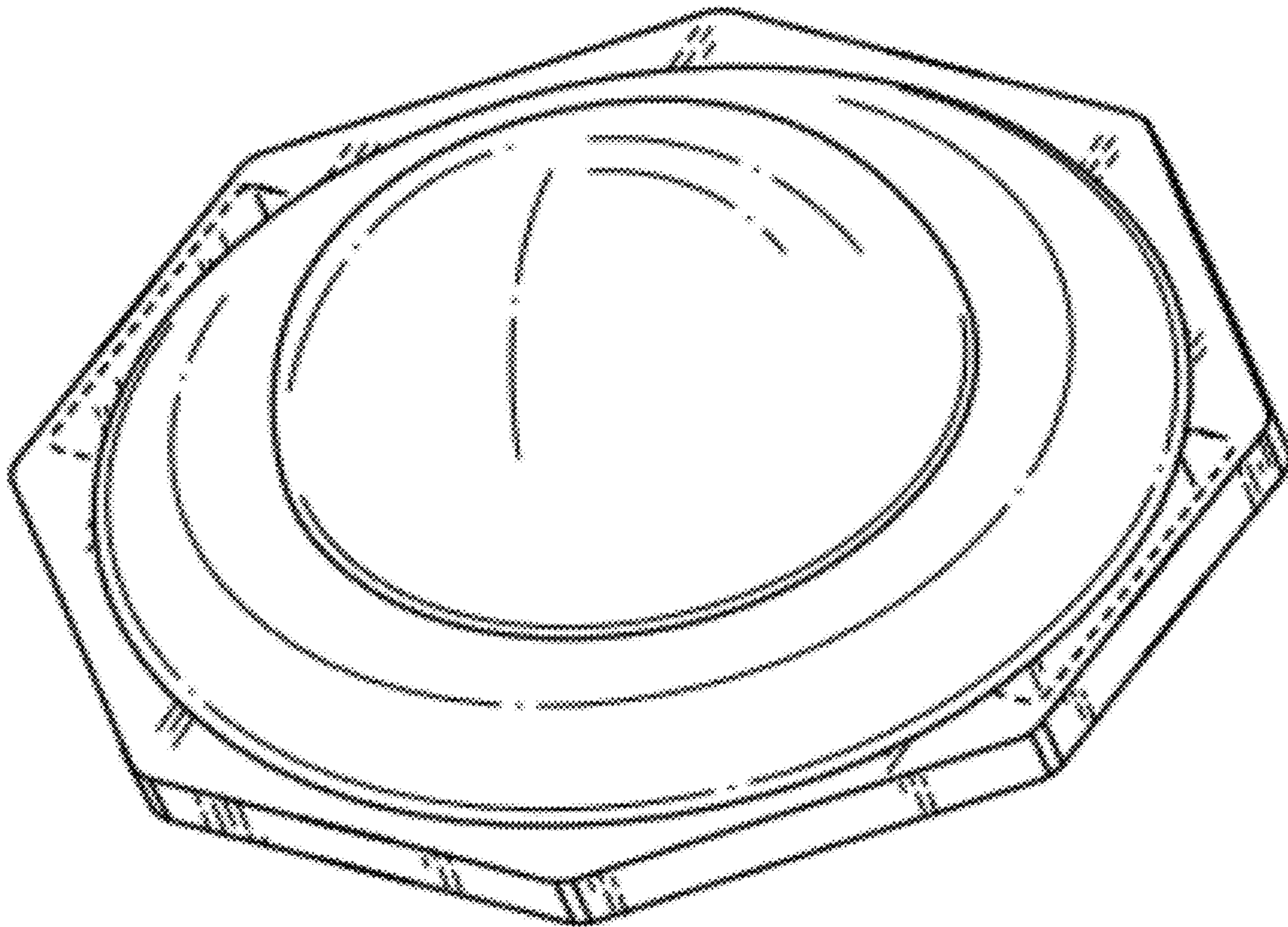


FIG. 4