



US00D660926S

(12) **United States Design Patent**
Mastin

(10) **Patent No.:** **US D660,926 S**

(45) **Date of Patent:** **** May 29, 2012**

(54) **TOY GUN**

(75) **Inventor:** **Clay Mastin**, Providence, RI (US)

(73) **Assignee:** **Hasbro, Inc.**, Pawtucket, RI (US)

(**) **Term:** **14 Years**

(21) **Appl. No.:** **29/381,197**

(22) **Filed:** **Dec. 16, 2010**

(51) **LOC (9) Cl.** **21-01**

(52) **U.S. Cl.** **D21/573**

(58) **Field of Classification Search** D21/333,
D21/401, 461, 567, 568, 570-575; D14/418;
D22/100, 101, 104, 105, 108-110; 124/16,
124/26, 27, 28, 29, 54, 73-77; 222/78, 79;
42/54, 57, 58; 446/23, 182, 192, 401, 403,
446/405-407, 473, 475

See application file for complete search history.

(56) **References Cited**

U.S. PATENT DOCUMENTS

961,511 A	6/1910	Marble	
1,374,757 A	4/1921	Napier	
3,968,783 A	7/1976	Pfotenhauer	
4,170,215 A	10/1979	Kettlestrings	
4,248,202 A	2/1981	Jaworski et al.	
4,659,320 A	4/1987	Rich et al.	
D354,997 S *	1/1995	Arad et al.	D21/574
5,471,967 A	12/1995	Matsuzaki et al.	
5,529,050 A	6/1996	D'Andrade	
5,611,322 A	3/1997	Matsuzaki et al.	
5,996,564 A	12/1999	Kotowski	
6,224,457 B1	5/2001	Wu	
D449,354 S *	10/2001	Hornsby et al.	D21/574
D454,166 S *	3/2002	Hornsby et al.	D21/574
D458,975 S *	6/2002	Hornsby et al.	D21/574

6,523,535 B2	2/2003	Rehkemper et al.	
6,598,329 B1	7/2003	Alexander	
6,733,356 B2	5/2004	Lee	
D504,489 S *	4/2005	Cerovic	D22/104
D508,277 S *	8/2005	Cerovic	D22/104
7,063,082 B2	6/2006	Vanek et al.	
7,287,526 B1	10/2007	Bligh et al.	
D557,355 S *	12/2007	Higuchi et al.	D21/572
7,418,797 B1	9/2008	Croze	
7,437,847 B1	10/2008	Mabry	
D588,214 S *	3/2009	Stadlbauer	D21/572
7,552,557 B1	6/2009	Mabry	
7,673,624 B2	3/2010	Rosella, Jr.	
D635,620 S *	4/2011	Nadel	D21/573
2002/0166551 A1	11/2002	Lee	
2006/0242880 A1	11/2006	Griffin	
2009/0095272 A1	4/2009	Zimmerman	

* cited by examiner

Primary Examiner — Cynthia M Chin

(74) *Attorney, Agent, or Firm* — Perry Hoffman

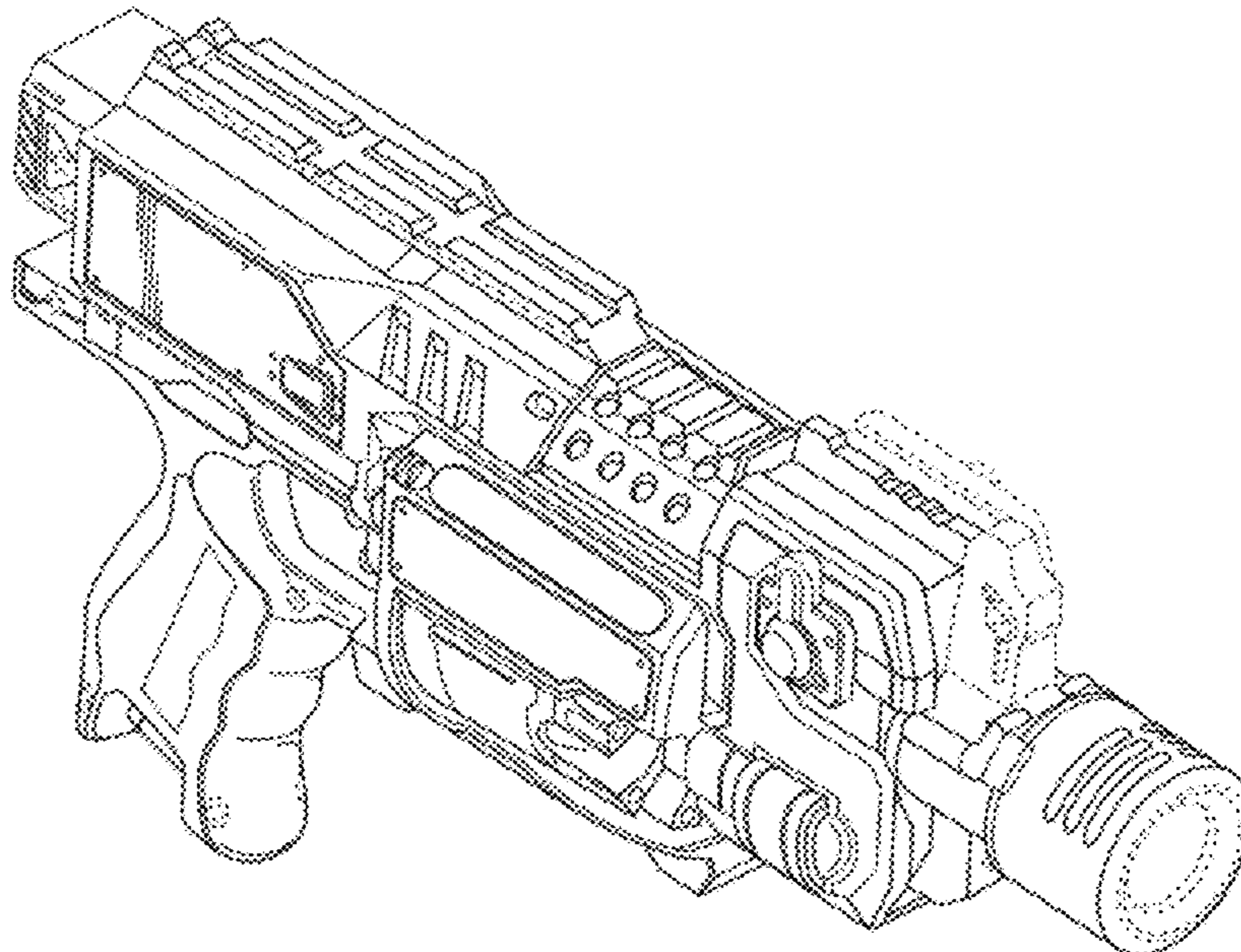
(57) **CLAIM**

The ornamental design for a toy gun, as shown and described.

DESCRIPTION

FIG. 1 is a reduced perspective view of the toy gun of the instant invention;
FIG. 2 is a front elevation view thereof;
FIG. 3 is a rear elevation view thereof;
FIG. 4 is a top view thereof;
FIG. 5 is a bottom view thereof;
FIG. 6 is a right side elevational view thereof; and,
FIG. 7 is a left side elevational view thereof.
The broken lines shown are included for the purpose of illustrating the unclaimed portions of the article that form no part of the claimed design.

1 Claim, 6 Drawing Sheets



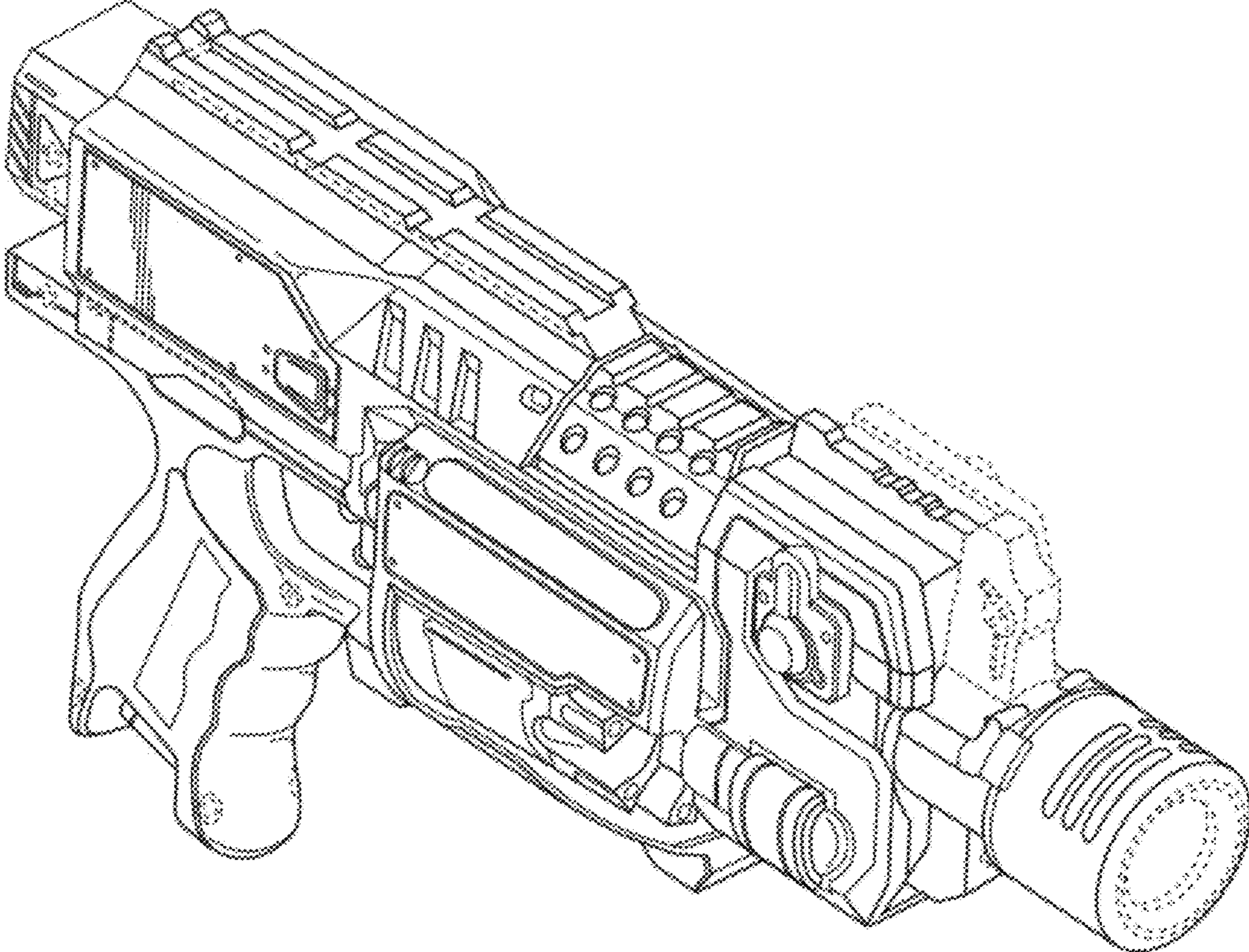


FIG. 1

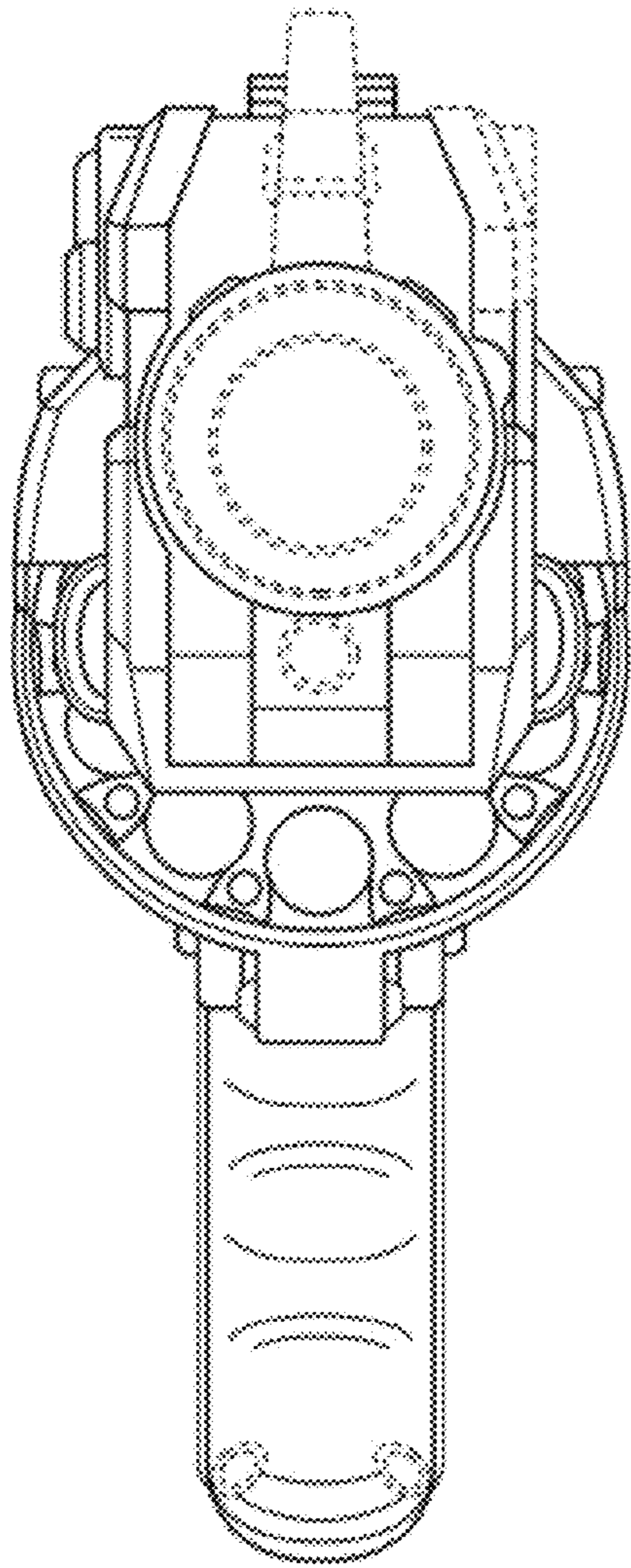


FIG. 2

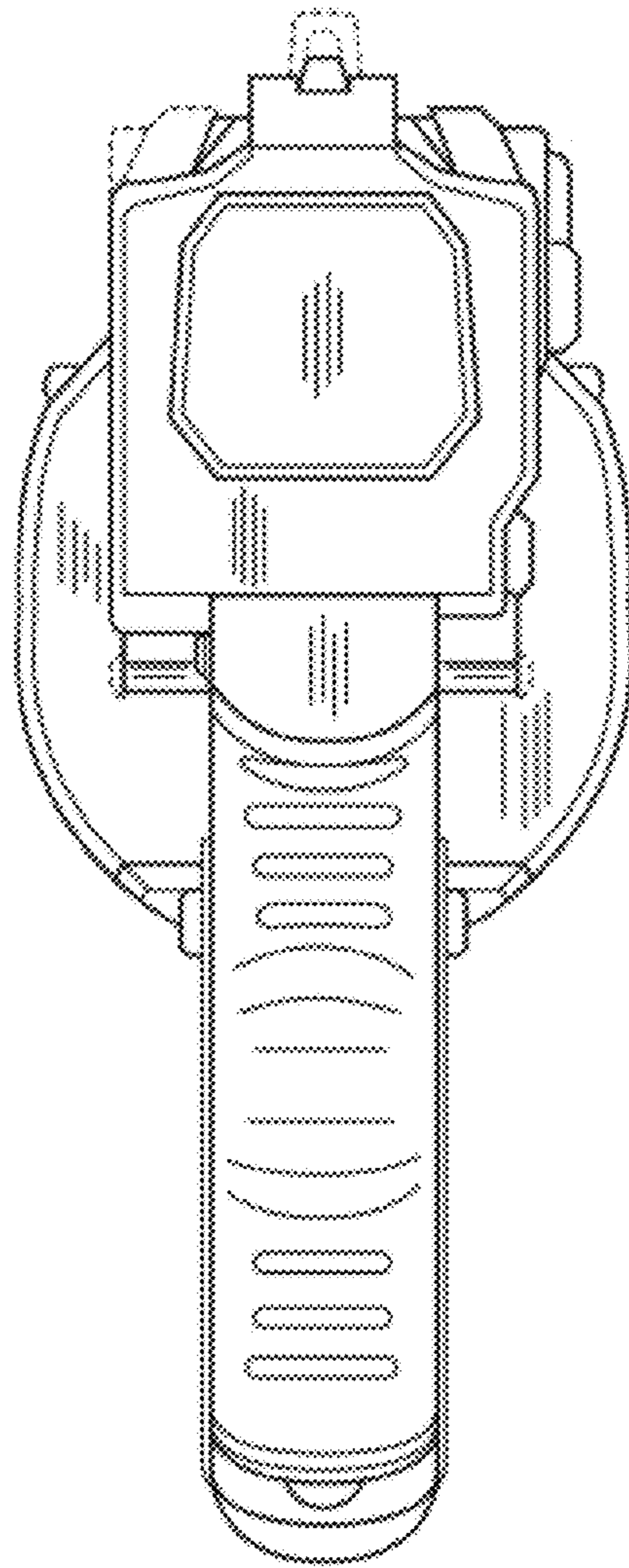


FIG. 3

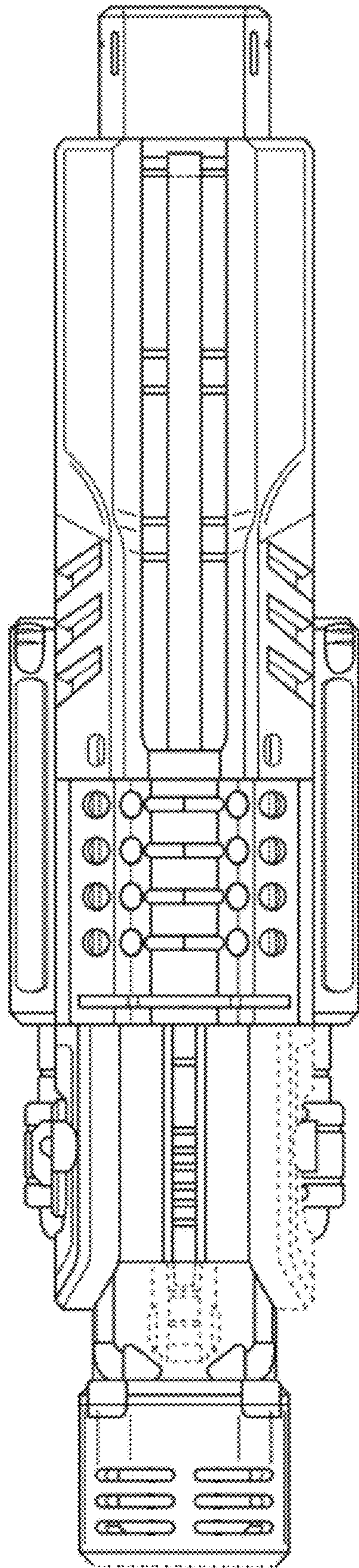


FIG. 4

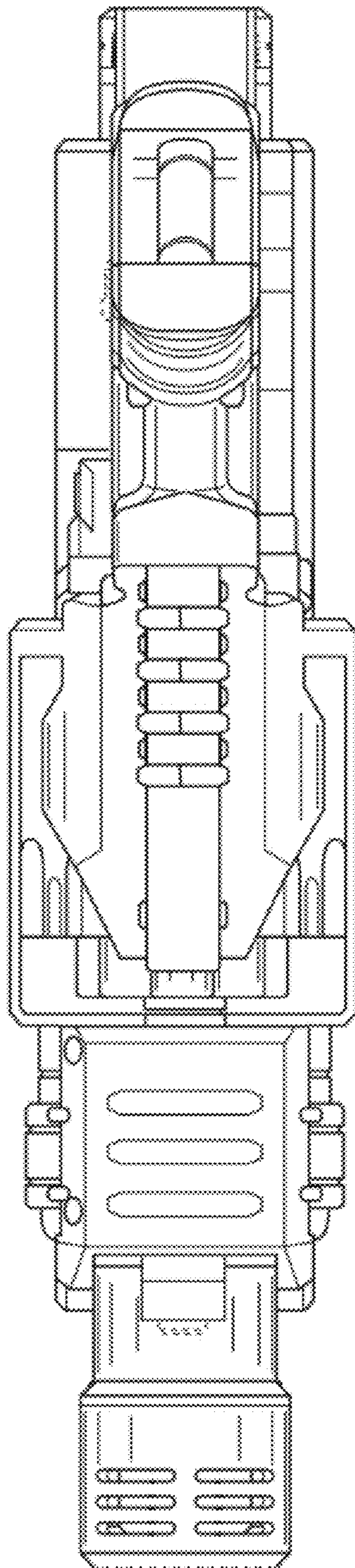


FIG. 5

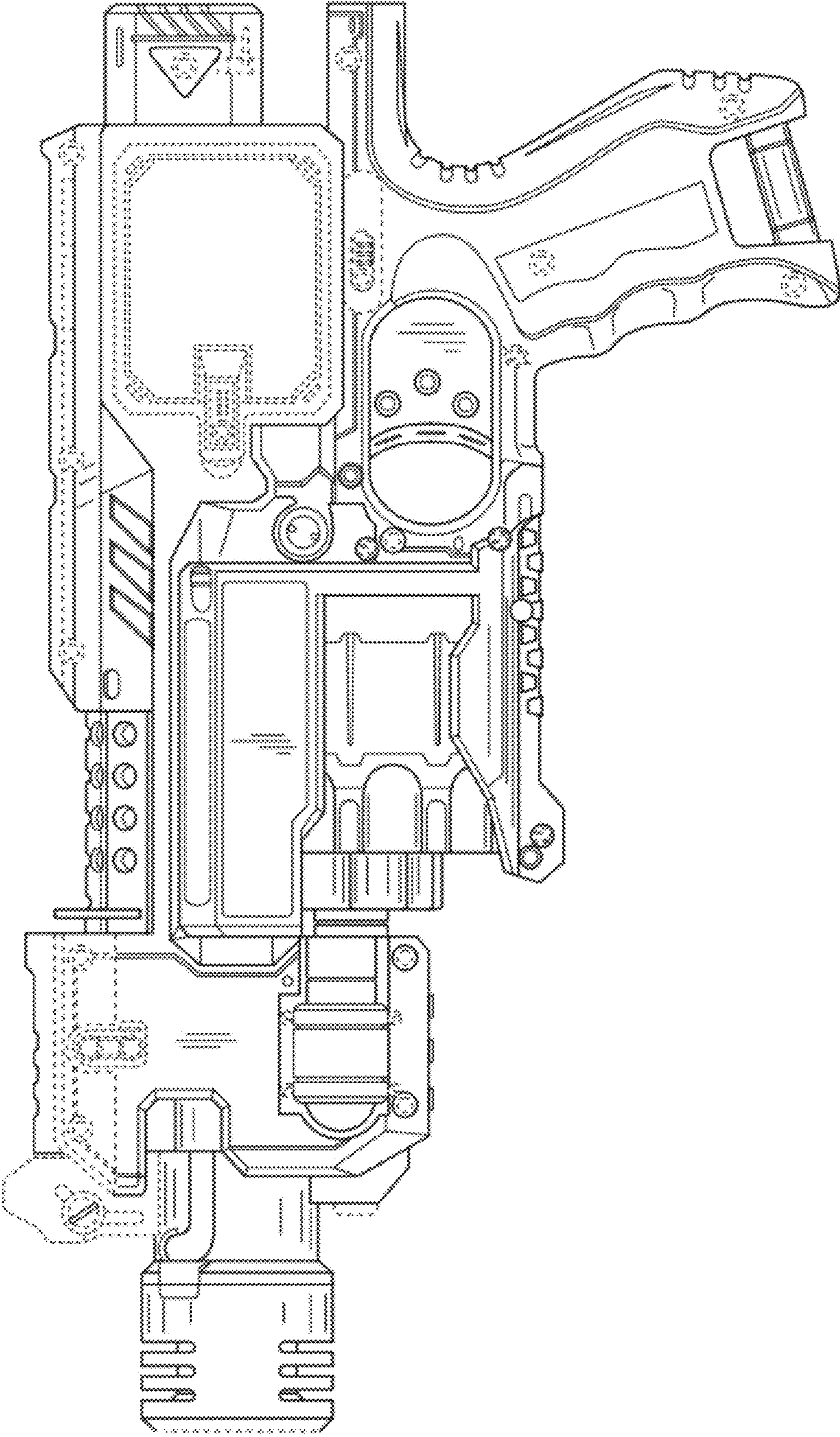


FIG. 6

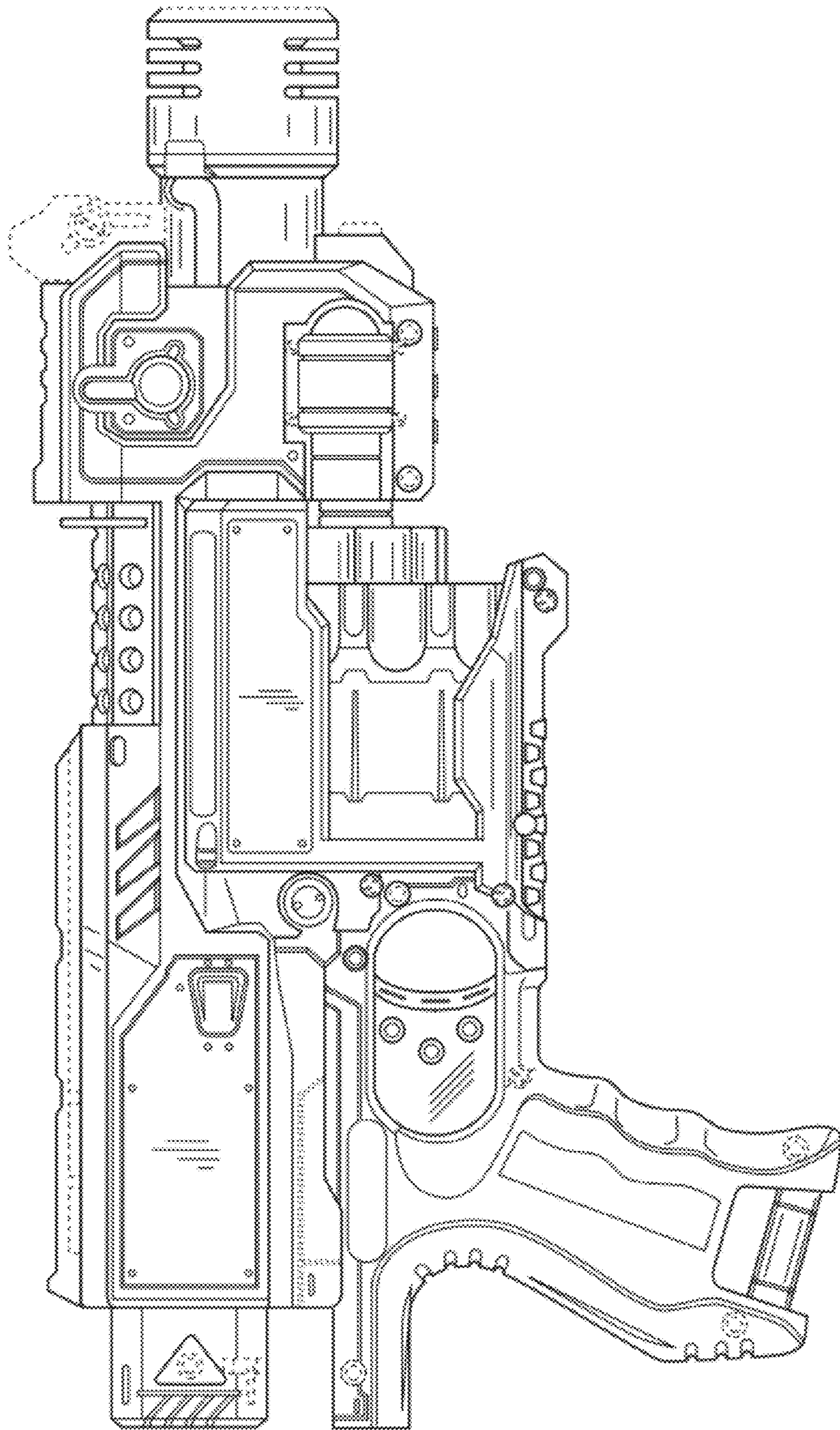


FIG. 7