



US00D660922S

(12) **United States Design Patent**
Mead et al.

(10) **Patent No.:** **US D660,922 S**
(45) **Date of Patent:** **** May 29, 2012**

(54) **TOY GUN**

(75) Inventors: **Raymond Aaron Mead**, Pawtucket, RI (US); **Kevin C. Dakan**, Warwick, RI (US); **Robert James Victor**, Sunnyside, NY (US)

(73) Assignee: **Hasbro, Inc.**, Pawtucket, RI (US)

(**) Term: **14 Years**

(21) Appl. No.: **29/365,716**

(22) Filed: **Jul. 14, 2010**

(51) **LOC (9) Cl.** **21-01**

(52) **U.S. Cl.** **D21/573**

(58) **Field of Classification Search** D21/333,
D21/401, 461, 567, 568, 570-575; D14/418;
D22/100, 101, 103, 104, 105, 108-110; 124/16,
124/26, 27, 28, 29, 54, 73-77; 222/78, 79;
42/54, 57, 58; 446/23, 182, 192, 401, 403,
446/405-407, 473, 475

See application file for complete search history.

(56) **References Cited**

U.S. PATENT DOCUMENTS

961,511	A	6/1910	Marble	
5,529,050	A	6/1996	D'Andrade	
6,598,329	B1	7/2003	Alexander	
D516,660	S *	3/2006	Murello et al.	D22/103
D517,152	S *	3/2006	Murello et al.	D22/103
D542,877	S *	5/2007	Murello et al.	D22/103

7,287,526	B1	10/2007	Bligh et al.	
D557,355	S *	12/2007	Higuchi et al.	D21/572
7,418,797	B1	9/2008	Crose	
7,437,847	B1	10/2008	Mabry	
7,552,557	B1	6/2009	Mabry	
D606,614	S *	12/2009	Fitzpatrick et al.	D22/103
D635,619	S *	4/2011	Nadel	D21/573
D638,887	S *	5/2011	En	D21/573
D639,352	S *	6/2011	Chan	D21/572
D648,811	S *	11/2011	En	D21/573
2006/0242880	A1	11/2006	Griffin	

* cited by examiner

Primary Examiner — Cynthia M Chin

(74) *Attorney, Agent, or Firm* — Perry Hoffman

(57) **CLAIM**

The ornamental design for a toy gun, as shown and described.

DESCRIPTION

FIG. 1 is an enlarged perspective view of the toy gun of the instant invention;

FIG. 2 is a front elevation view thereof;

FIG. 3 is a rear elevation view thereof;

FIG. 4 is a top end view thereof;

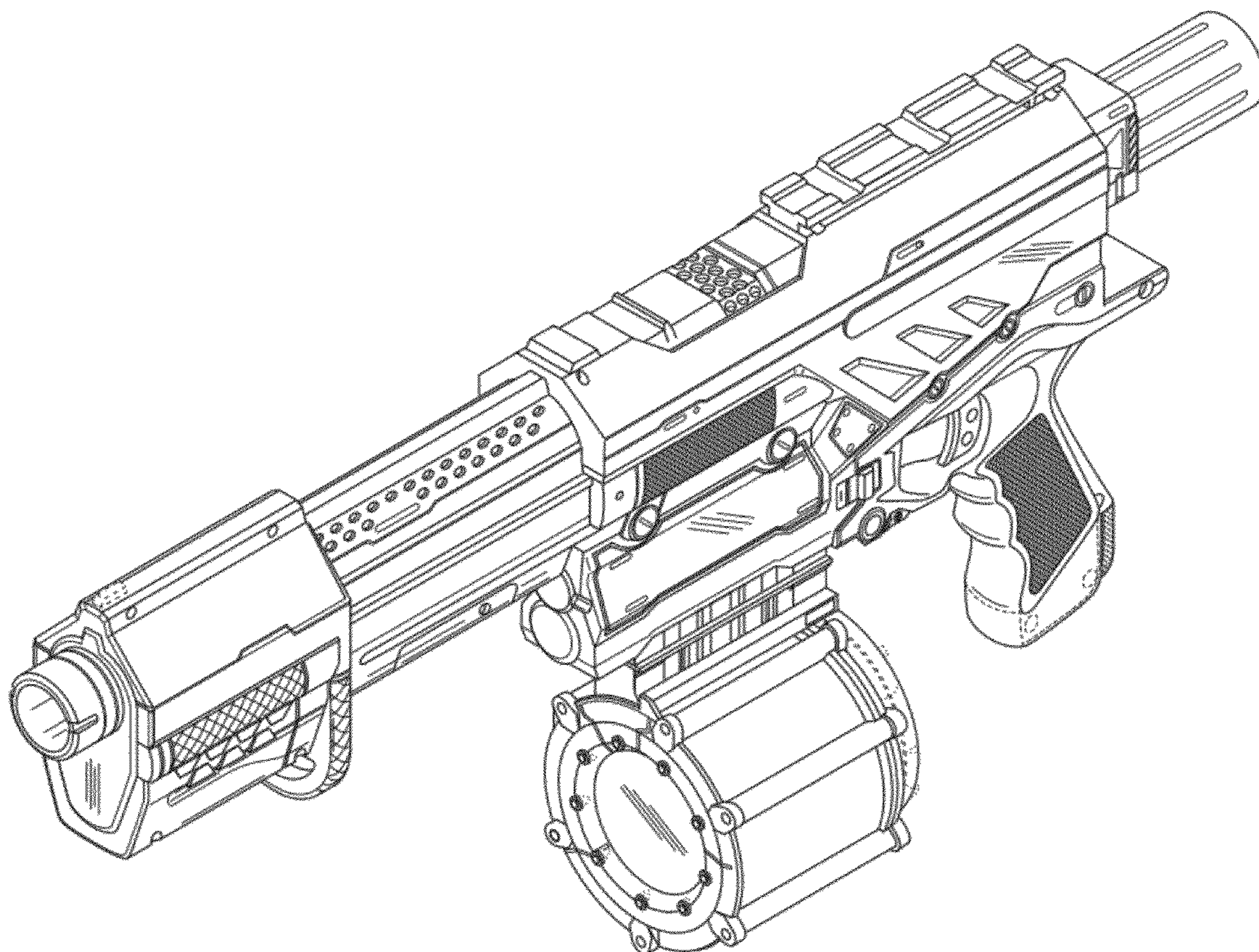
FIG. 5 is a bottom end view thereof;

FIG. 6 is a right side elevational view thereof; and,

FIG. 7 is a left side elevational view thereof.

The broken lines shown are included for the purpose of illustrating the unclaimed portions of the article that form no part of the claimed design.

1 Claim, 5 Drawing Sheets



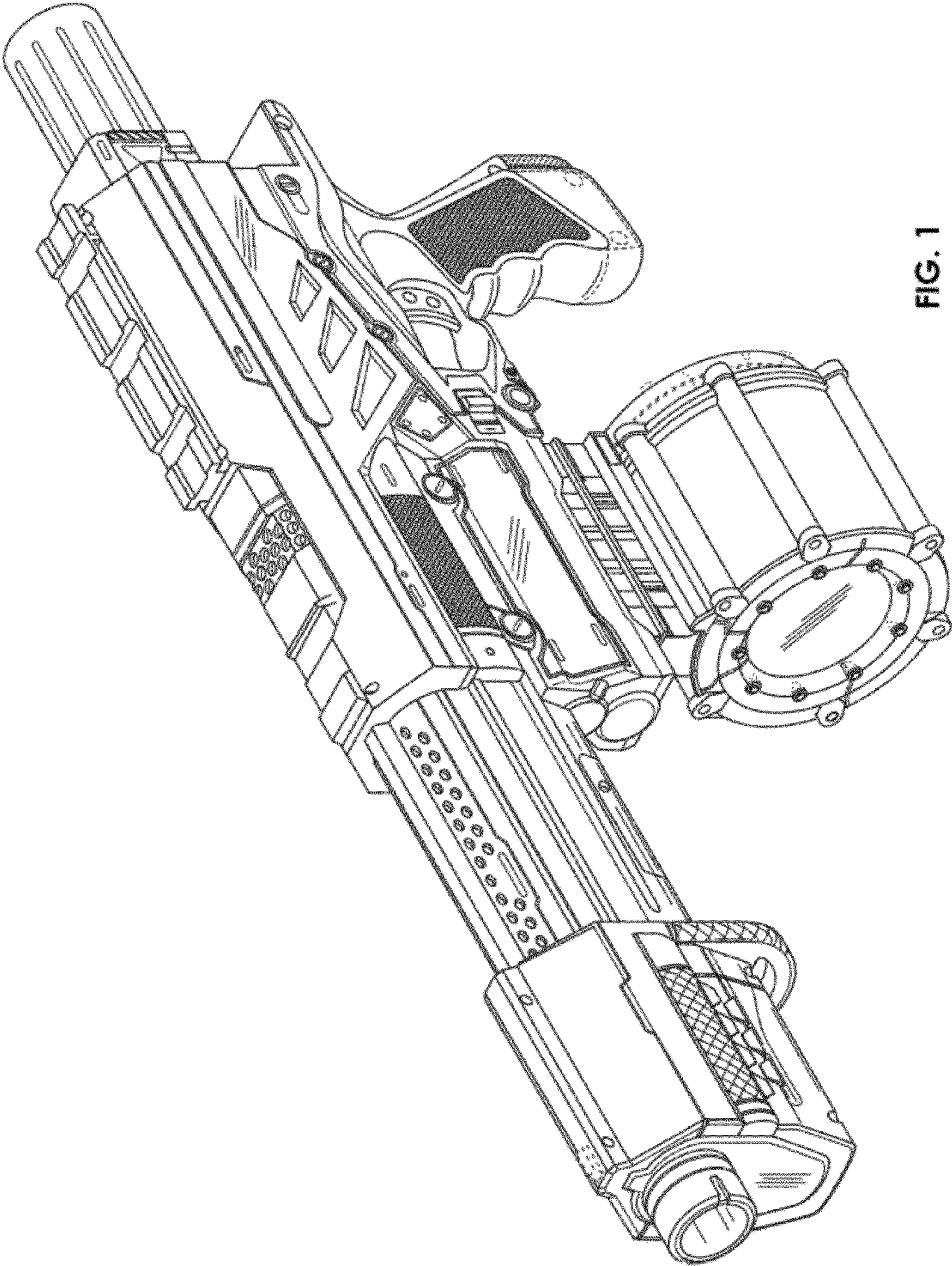


FIG. 1

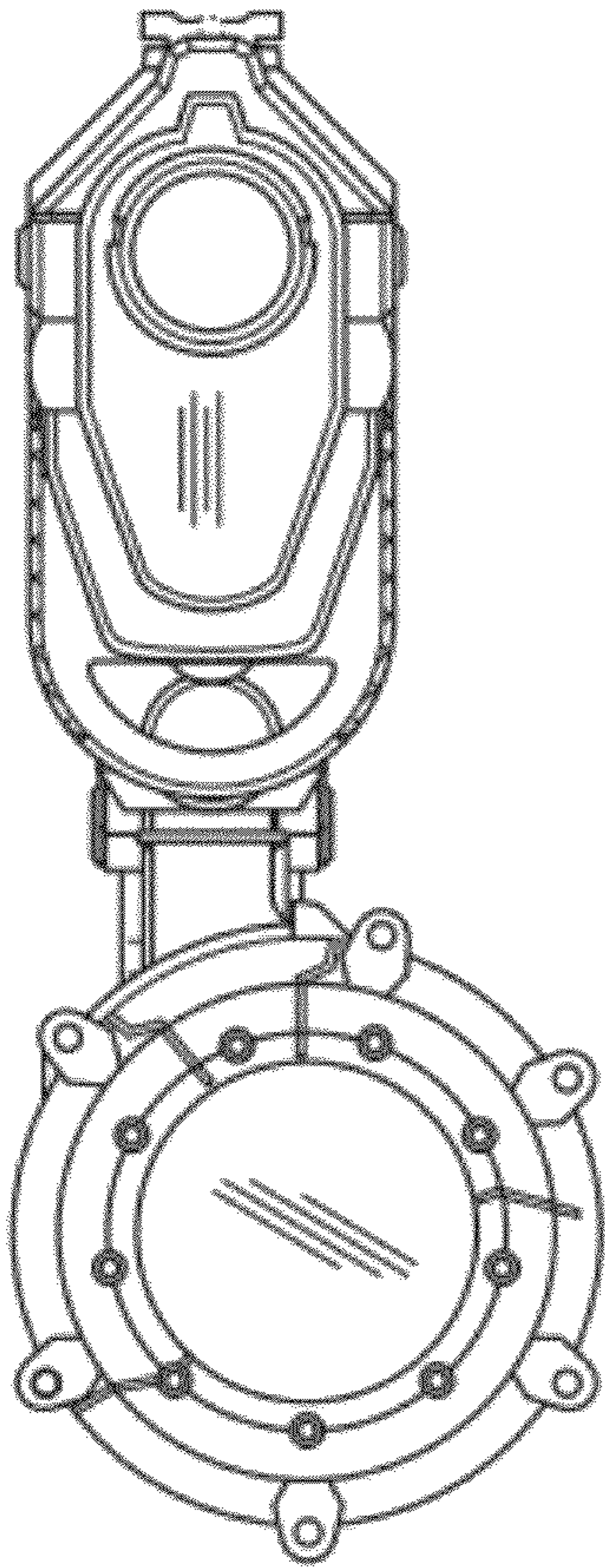


FIG. 2

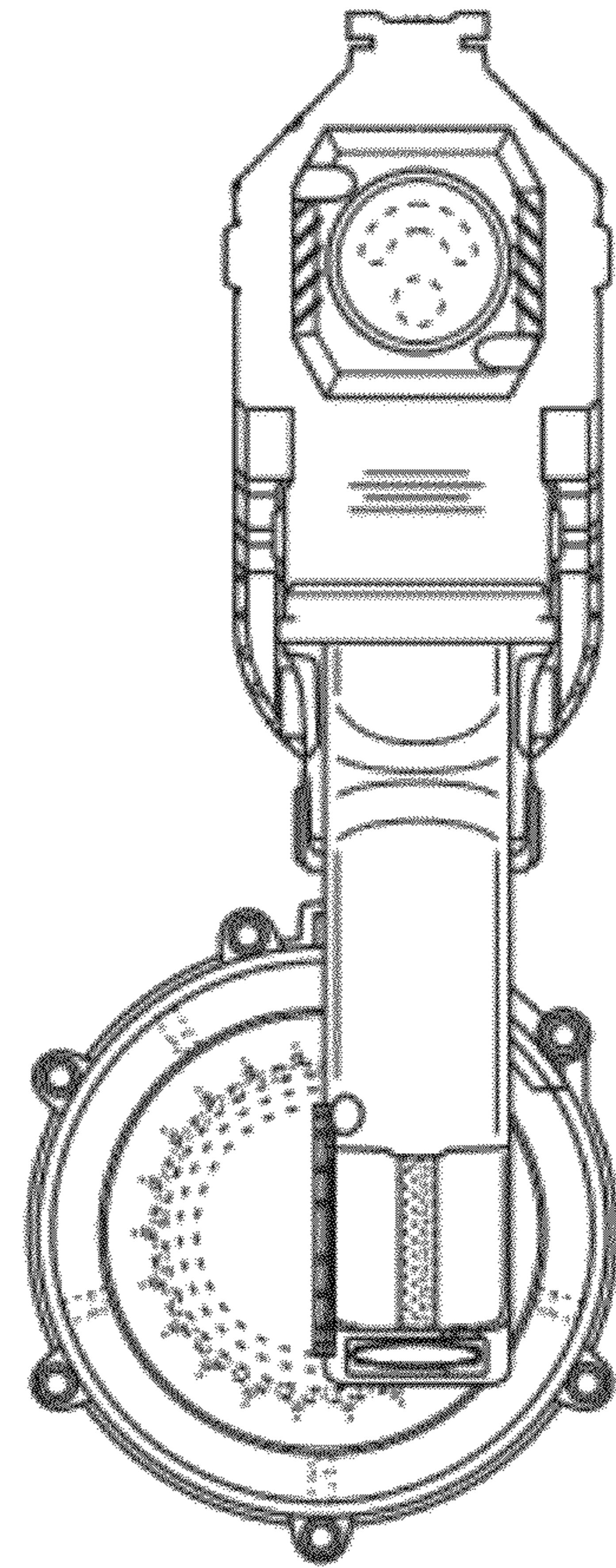


FIG. 3

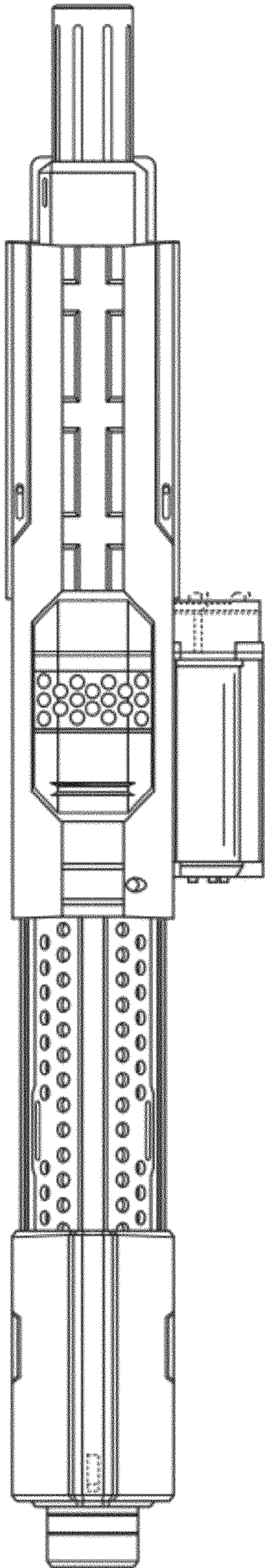


FIG. 4

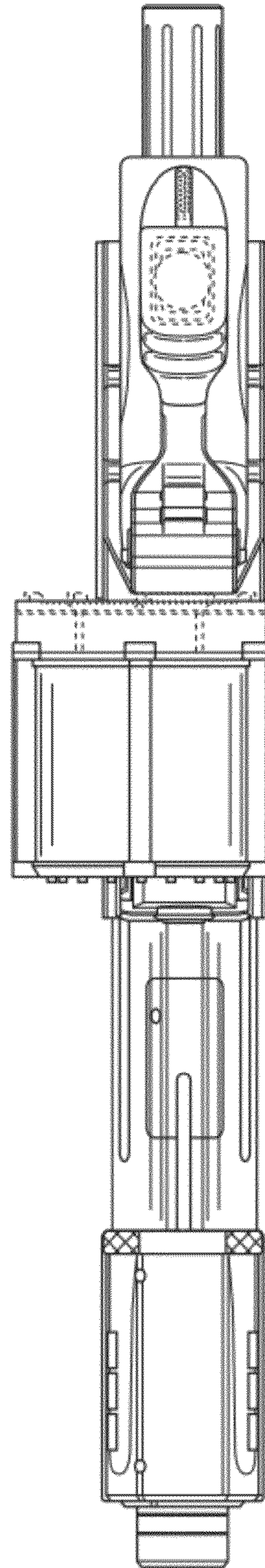


FIG. 5

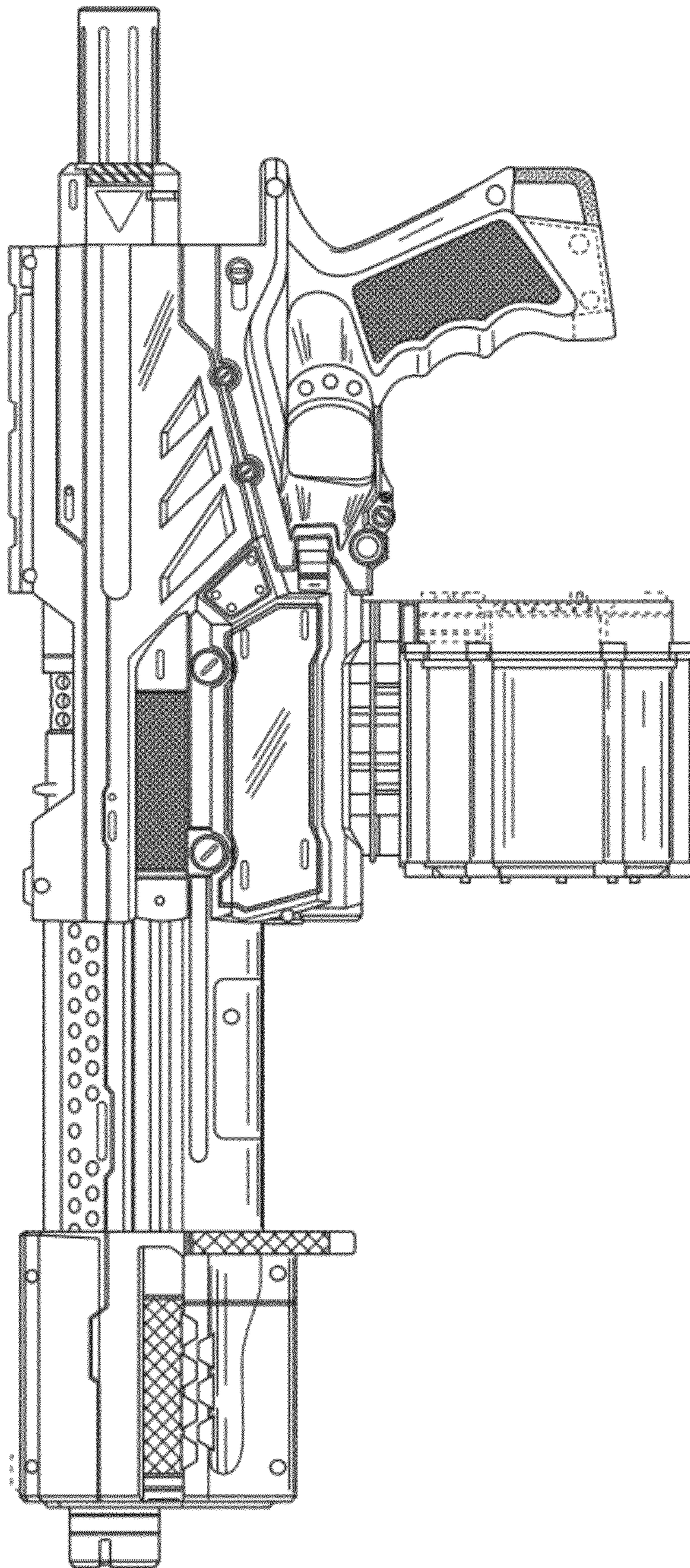


FIG. 6

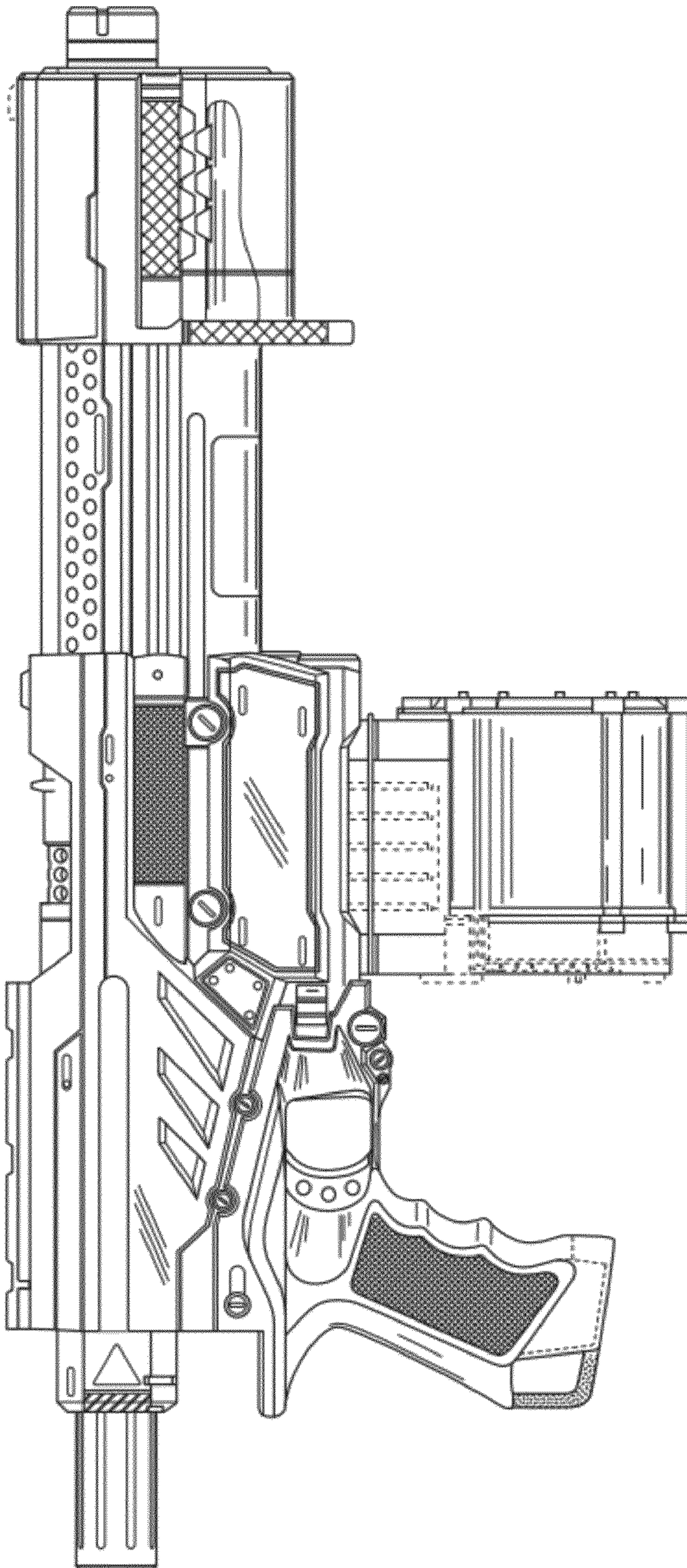


FIG. 7