



US00D660921S

(12) **United States Design Patent**  
**Johnson et al.**

(10) **Patent No.:** **US D660,921 S**  
(45) **Date of Patent:** **\*\* May 29, 2012**

- (54) **TOY WATER GUN**
  - (75) Inventors: **Drew A. Johnson**, Providence, RI (US);  
**Lionel Wong**, Providence, RI (US)
  - (73) Assignee: **Hasbro, Inc.**, Pawtucket, RI (US)
  - (\*\*) Term: **14 Years**
  - (21) Appl. No.: **29/393,478**
  - (22) Filed: **Jun. 5, 2011**
  - (51) **LOC (9) Cl.** ..... **21-01**
  - (52) **U.S. Cl.** ..... **D21/572; D21/574**
  - (58) **Field of Classification Search** ..... D21/333,  
D21/401, 461, 567, 568, 570–575; D14/418;  
D22/100, 101, 104, 105, 108–110; 124/16,  
124/26, 27, 28, 29, 54, 73–77; 222/78, 79;  
42/54, 57, 58; 446/23, 182, 192, 401, 403,  
446/405–407, 473, 475
- See application file for complete search history.

D454,166	S *	3/2002	Hornsby et al.	.....	D21/574
D458,975	S *	6/2002	Hornsby et al.	.....	D21/574
6,446,837	B2	9/2002	Crawford		
6,595,437	B1	7/2003	Lawson et al.		
6,598,329	B1	7/2003	Alexander		
6,715,763	B2	4/2004	Rudell et al.		
6,733,356	B2	5/2004	Lee		
D504,489	S *	4/2005	Cerovic	.....	D22/104
D508,277	S *	8/2005	Cerovic	.....	D22/104
7,032,837	B2	4/2006	Eddins et al.		
7,036,751	B1	5/2006	Lund et al.		
7,287,526	B1	10/2007	Bligh et al.		
D557,355	S *	12/2007	Higuchi et al.	.....	D21/572
7,418,797	B1	9/2008	Crose		
7,437,847	B1	10/2008	Mabry		
7,451,900	B2	11/2008	Hornsby et al.		
D588,214	S *	3/2009	Stadlbauer	.....	D21/572
7,552,557	B1	6/2009	Mabry		
7,568,637	B2	8/2009	Hornsby et al.		
7,624,898	B2	12/2009	Hornsby et al.		
7,673,624	B2	3/2010	Rosella, Jr.		
D635,620	S *	4/2011	Nadel	.....	D21/573
2006/0242880	A1	11/2006	Griffin		

\* cited by examiner

*Primary Examiner* — Cynthia M Chin

(74) *Attorney, Agent, or Firm* — Perry Hoffman

(56) **References Cited**

U.S. PATENT DOCUMENTS

961,511	A	6/1910	Marble		
1,374,757	A	4/1921	Napier		
3,968,783	A	7/1976	Pfotenhauer		
4,022,350	A	5/1977	Amron		
4,170,215	A	10/1979	Kettlestrings		
4,248,202	A	2/1981	Jaworski et al.		
4,659,320	A	4/1987	Rich et al.		
4,706,848	A	11/1987	D'Andrade		
4,743,030	A	5/1988	Auer et al.		
4,750,641	A	6/1988	Chin-Fu		
5,173,038	A	12/1992	Hopfensperger et al.		
5,310,089	A	5/1994	Hudgins		
D354,997	S *	1/1995	Arad et al.	.....	D21/574
5,471,967	A	12/1995	Matsuzaki et al.		
5,529,050	A	6/1996	D'Andrade		
5,605,485	A	2/1997	Spector		
5,611,322	A	3/1997	Matsuzaki et al.		
5,996,564	A	12/1999	Kotowski		
6,167,925	B1	1/2001	D'Andrade et al.		
6,224,457	B1	5/2001	Wu		
D449,354	S *	10/2001	Hornsby et al.	.....	D21/574

(57) **CLAIM**

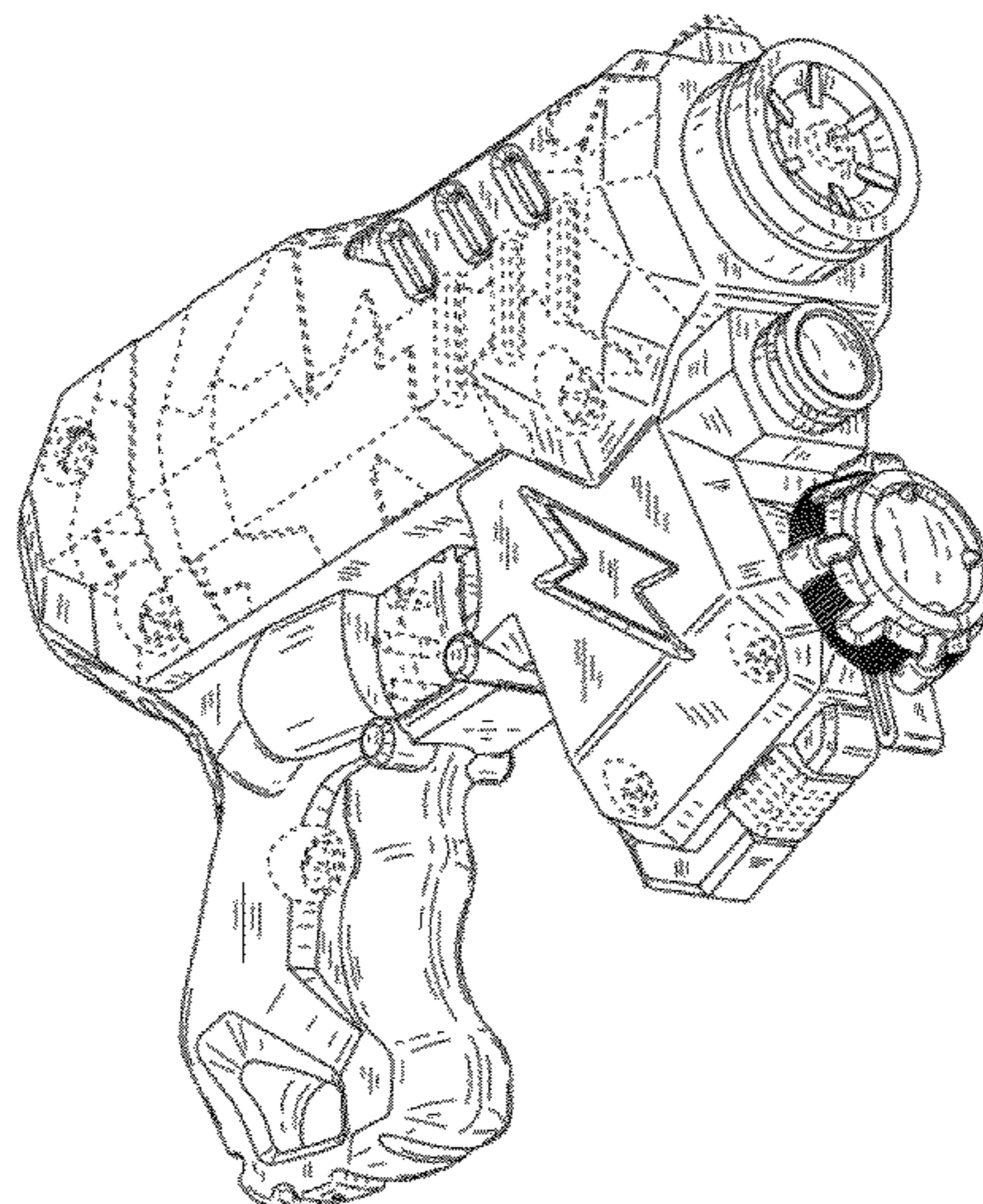
The ornamental design for a toy water gun, as shown and described.

**DESCRIPTION**

FIG. 1 is a perspective view of the toy water gun of the instant invention;  
 FIG. 2 is a right side elevational view thereof;  
 FIG. 3 is a left side elevational view thereof;  
 FIG. 4 is a front view thereof;  
 FIG. 5 is a rear view thereof;  
 FIG. 6 is a top view thereof; and,  
 FIG. 7 is a bottom view thereof.

The broken lines shown are included for the purpose of illustrating the unclaimed portions of the article and form no part of the claimed design.

**1 Claim, 4 Drawing Sheets**



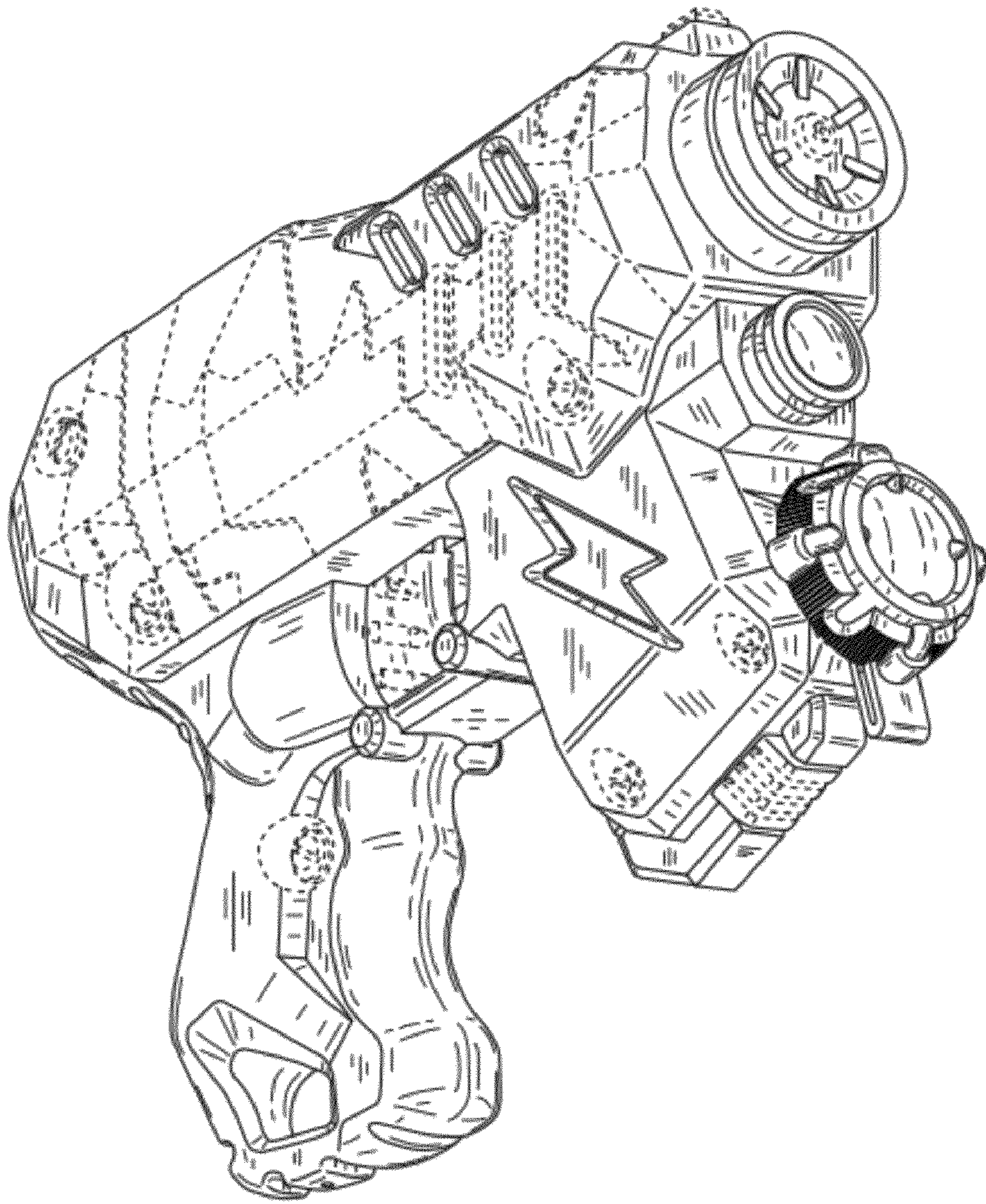


FIG. 1

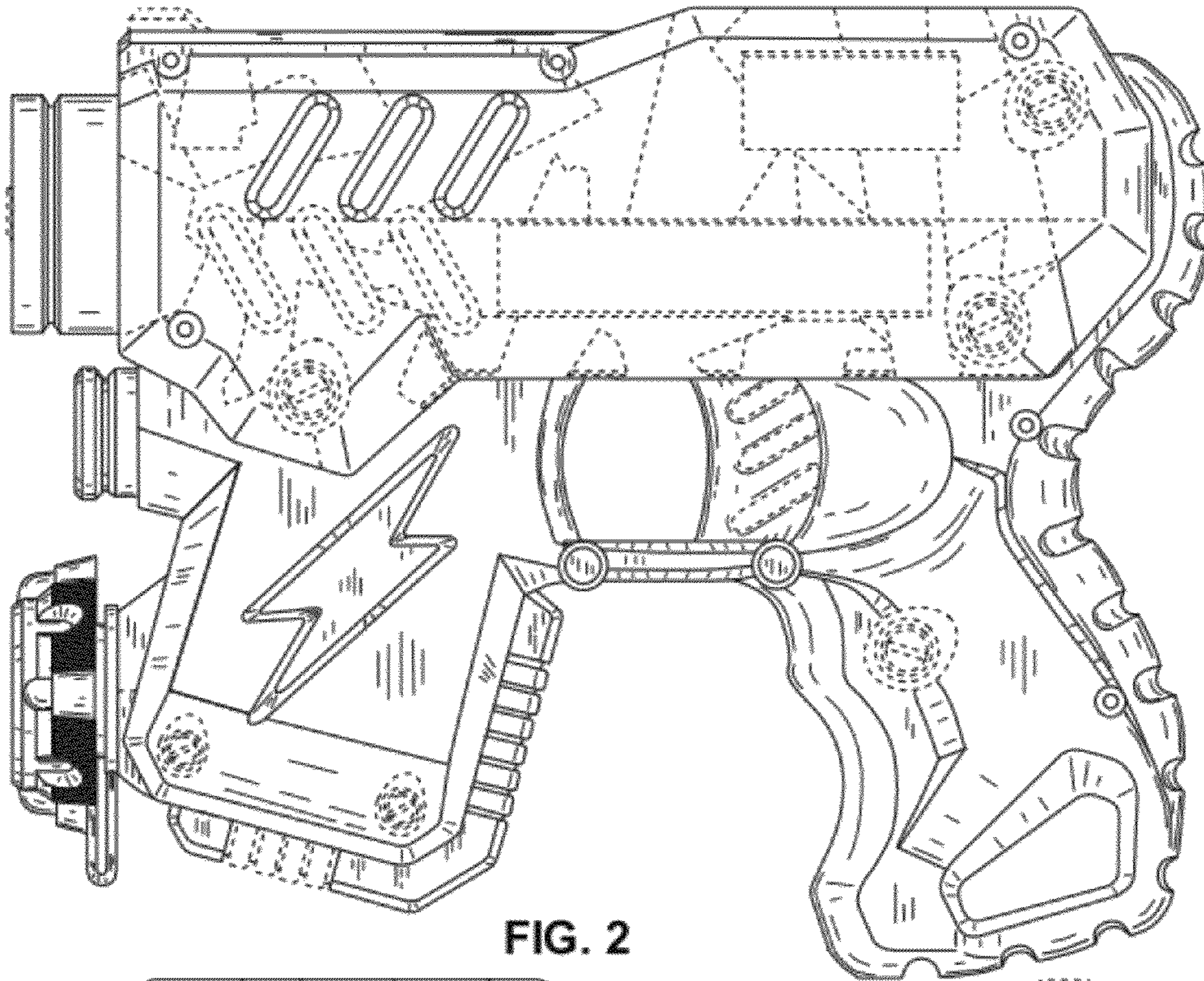


FIG. 2

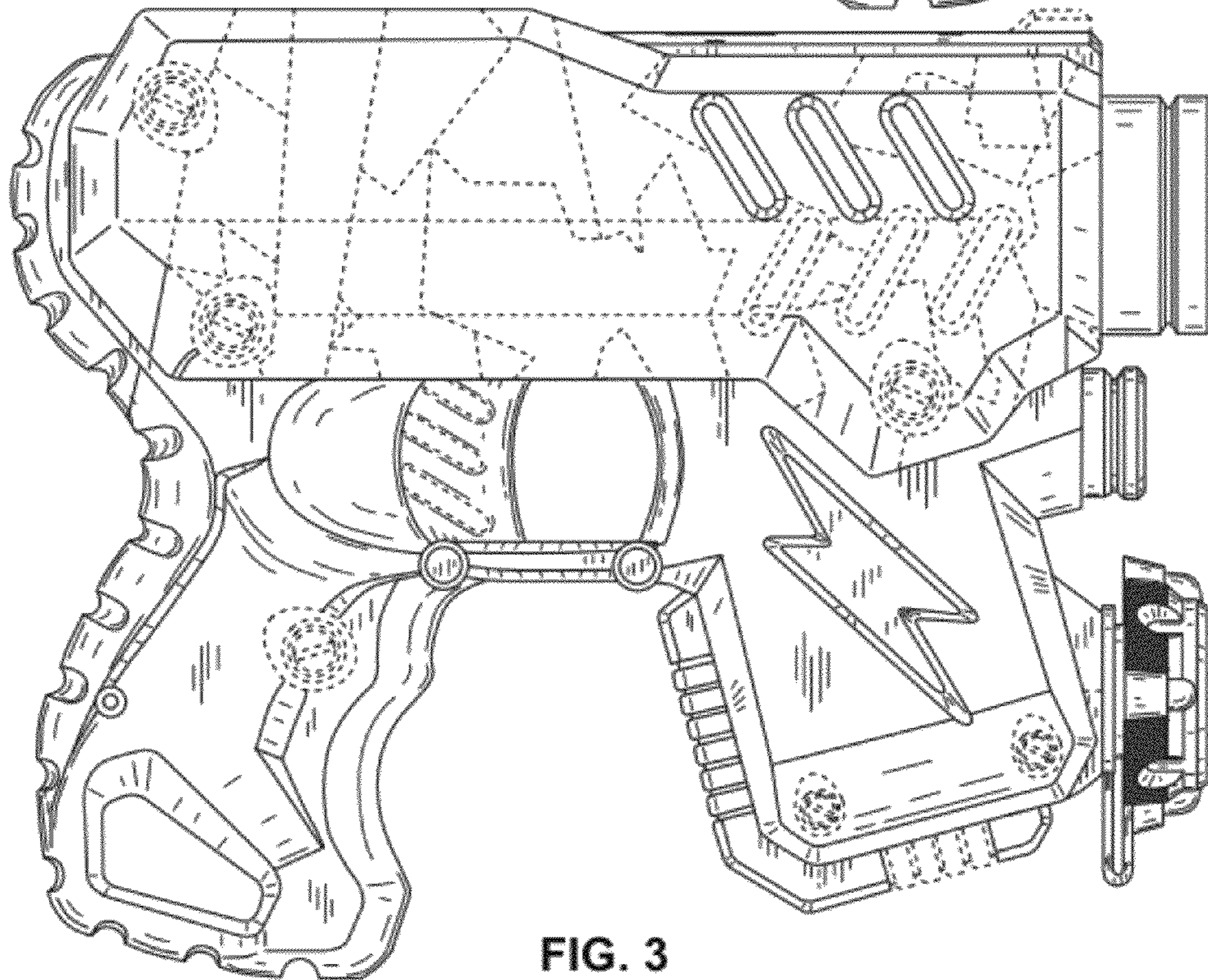


FIG. 3

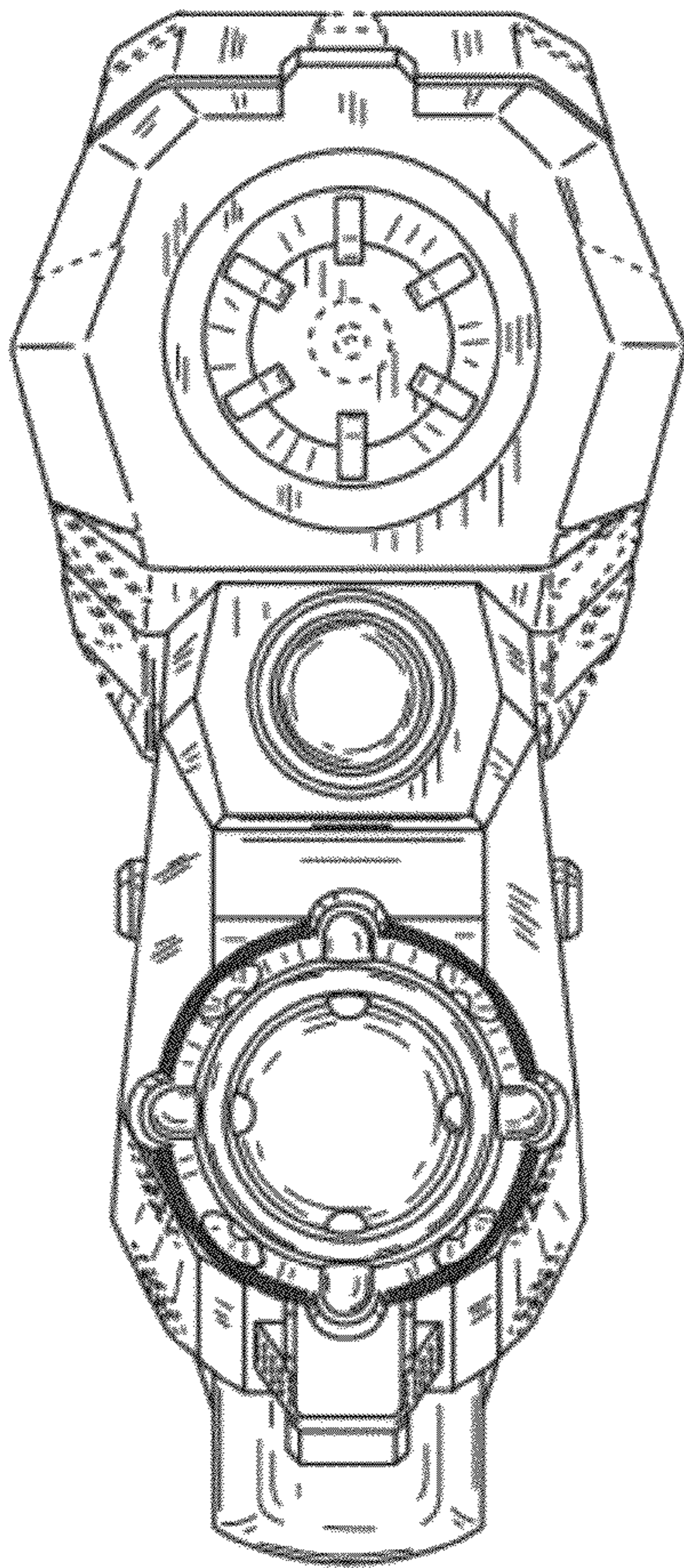


FIG. 4

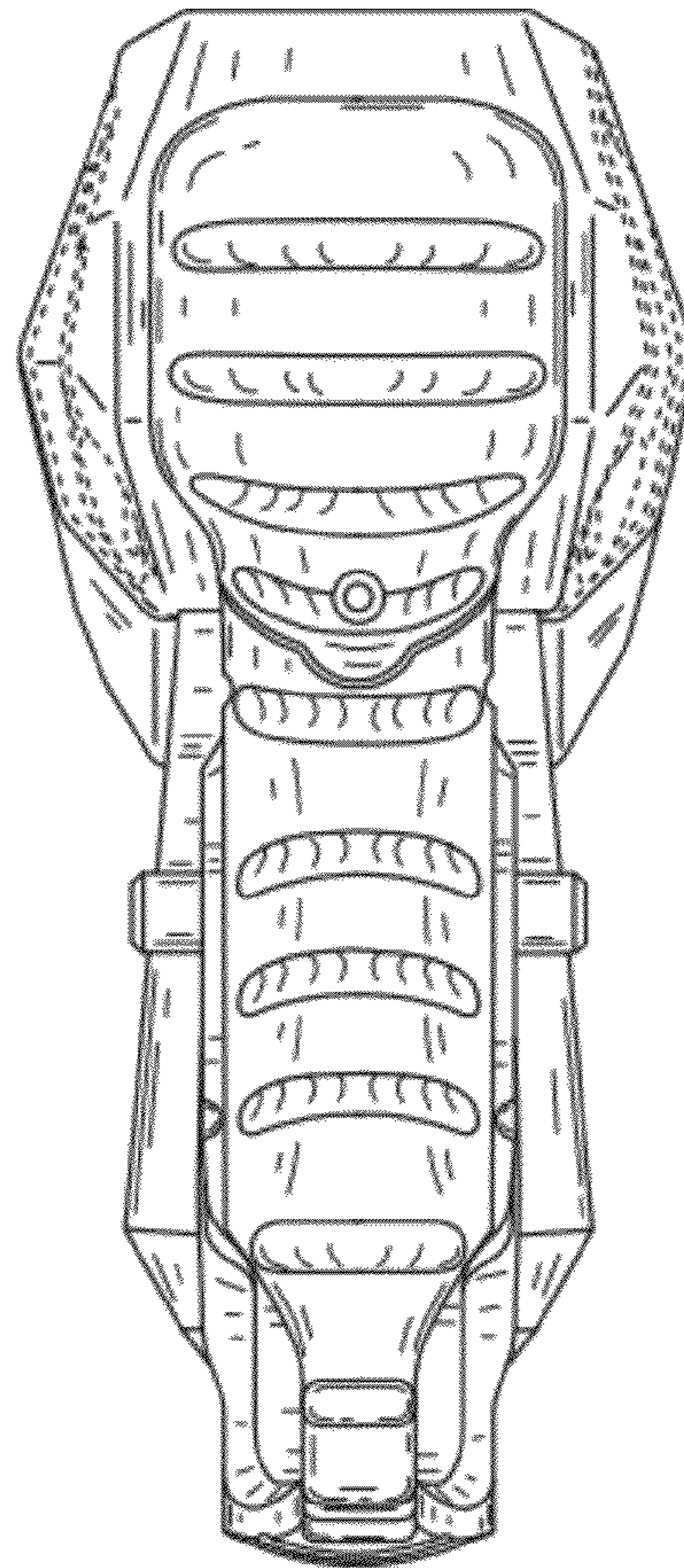


FIG. 5

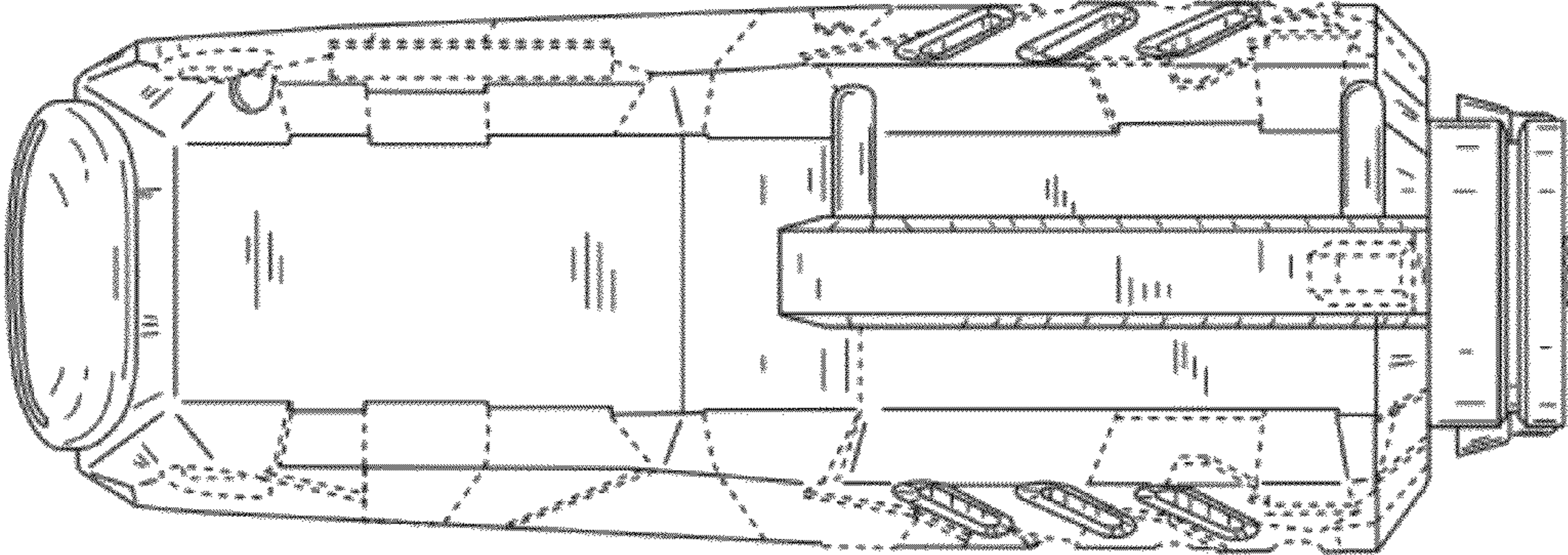


FIG. 6

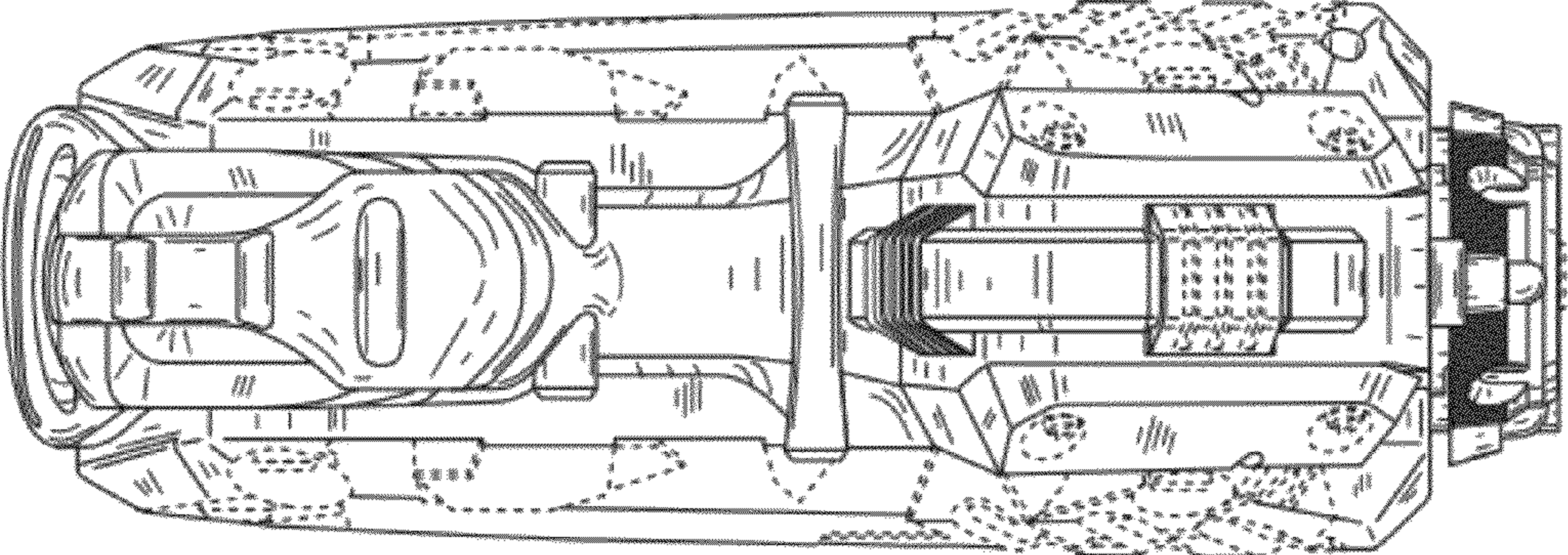


FIG. 7