



US00D660919S

(12) **United States Design Patent**
Perrin

(10) **Patent No.:** **US D660,919 S**
(45) **Date of Patent:** **** May 29, 2012**

- (54) **THREE DIMENSIONAL PUZZLE**
- (75) Inventor: **Steven James Perrin**, Essex (GB)
- (73) Assignee: **Seven Towns Limited**, London (GB)
- (**) Term: **14 Years**
- (21) Appl. No.: **29/395,621**
- (22) Filed: **Feb. 29, 2012**
- (51) **LOC (9) Cl.** **21-01**
- (52) **U.S. Cl.** **D21/478**
- (58) **Field of Classification Search** D21/372,
D21/373, 385, 386, 389, 393, 398, 404, 468,
D21/471, 478, 479, 480, 484, 491, 498, 707,
D21/713, 714; 273/153 R, 156, 157 R, 160,
273/153 S, 241, 276, 288; 446/85, 92, 120-128;
434/81, 96, 98, 128, 171, 172, 195, 196,
434/207, 208, 211, 386, 393, 403
See application file for complete search history.

2009/0091080	A1*	4/2009	Paquette	273/153 S
2009/0127783	A1*	5/2009	Paquette	273/153 S
2010/0308536	A1*	12/2010	Stolten	273/153 R
2012/0032393	A1*	2/2012	Leicht	273/156

FOREIGN PATENT DOCUMENTS

AU	111744	8/1991
AU	122693	2/1995
AU	122694	2/1995
AU	129727	4/1997
AU	301030	3/2005
CN	301118449	* 1/2010
CN	301118468	* 1/2010
CN	301237552	* 5/2010
CN	301247353	* 6/2010
CN	301280266	* 7/2010

(Continued)

OTHER PUBLICATIONS

From webpage address: <http://home.comcast.net/~stegmann/rear-rangement.htm> with display date Jul. 27, 2009: 1) Spherical puzzle at the bottom of p. 12; 2) Spherical puzzle at the bottom of p. 18; and 3) Circular faced cube puzzled at the top of p. 19.*

Primary Examiner — Catherine Tuttle

(74) *Attorney, Agent, or Firm* — Barkume & Associates, P.C.

(57) **CLAIM**

The ornamental design for a three dimensional puzzle, as shown and described.

DESCRIPTION

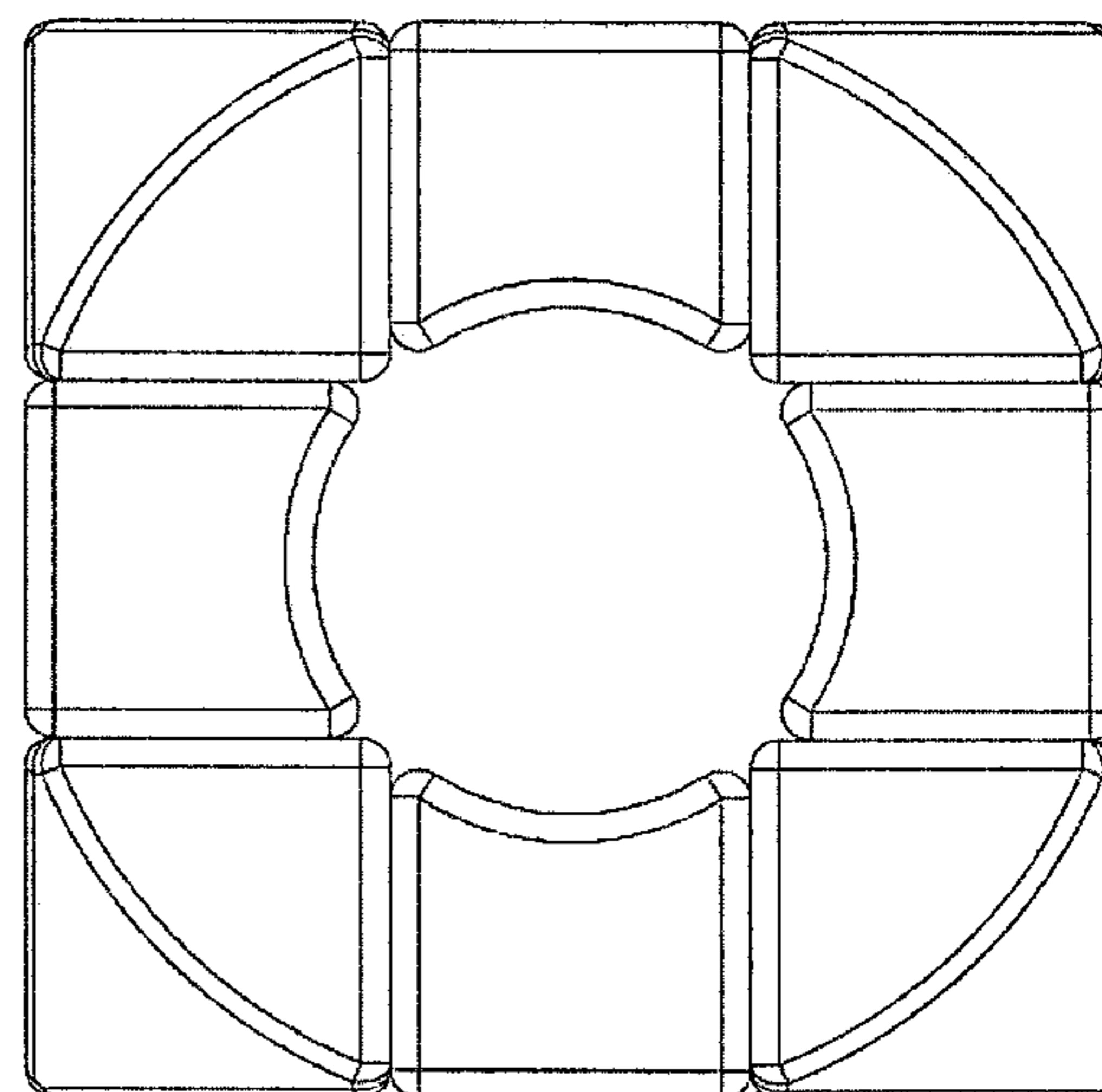
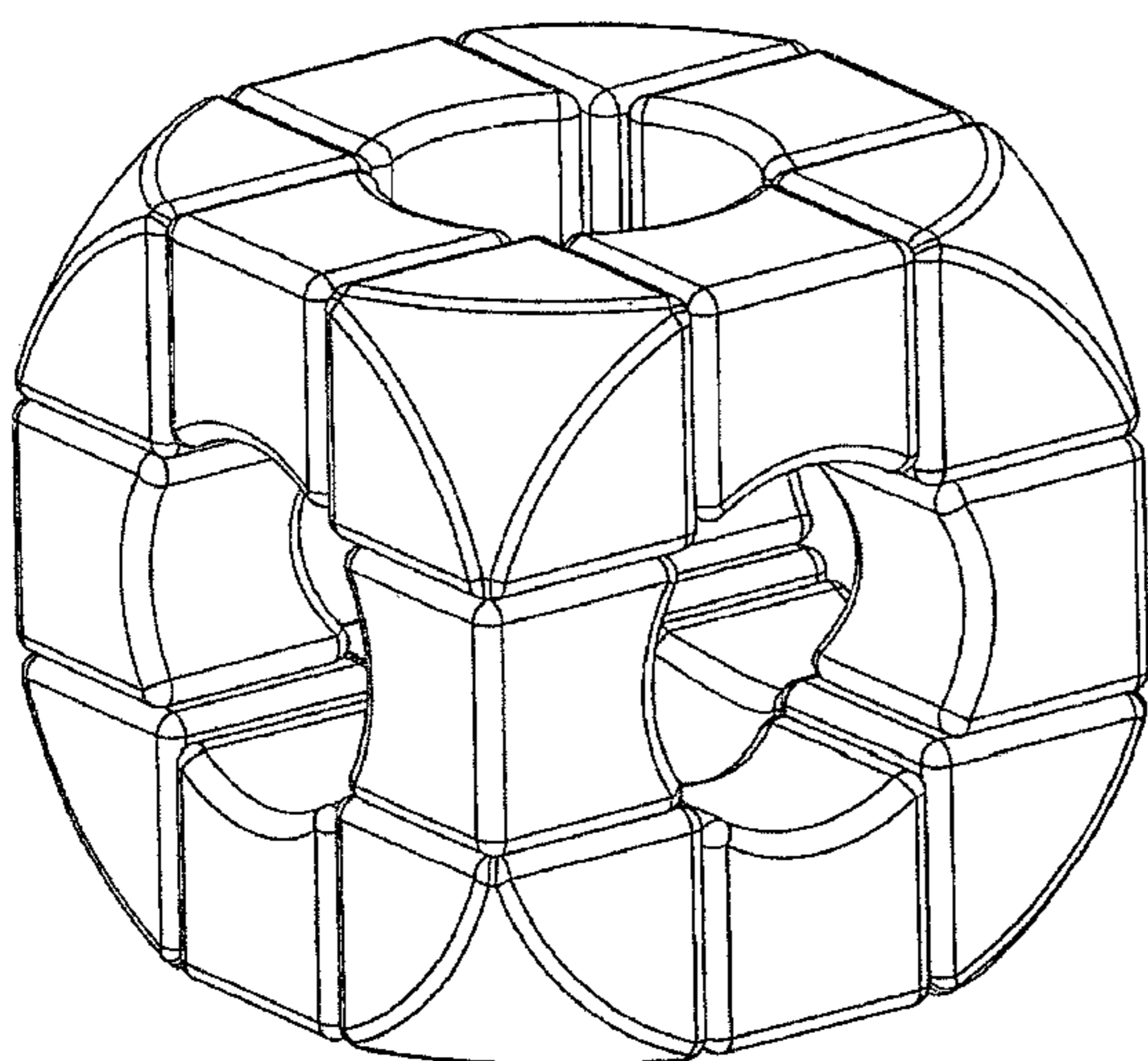
FIG. 1 is a perspective view of a three dimensional puzzle showing my new design;
FIG. 2 is a right view thereof;
FIG. 3 is a left view thereof;
FIG. 4 is a front view thereof;
FIG. 5 is a rear view thereof;
FIG. 6 is a top view thereof; and,
FIG. 7 is a bottom view thereof.

1 Claim, 7 Drawing Sheets

(56) **References Cited**

U.S. PATENT DOCUMENTS

D235,358	S	*	6/1975	Dufaud	D21/707
D257,271	S		10/1980	Gabriel		
4,540,177	A	*	9/1985	Horvath	273/153 S
D283,634	S		4/1986	Kato et al.		
D366,506	S	*	1/1996	Lindquist	D21/478
5,992,850	A	*	11/1999	Li	273/153 S
D422,036	S		3/2000	Laserna Fernandez		
D437,010	S		1/2001	Meys		
D437,366	S		2/2001	Stemmler		
D464,682	S		10/2002	Lin		
D480,437	S		10/2003	Stoneberg		
D531,229	S		10/2006	Vanbeneden		
D563,486	S		3/2008	Slater et al.		
D580,995	S		11/2008	Chun		
7,481,692	B2	*	1/2009	Bruder	446/122
D612,435	S		3/2010	Sisamos		
D616,044	S		5/2010	Tervo		
7,823,884	B2	*	11/2010	Cantner	273/153 S



US D660,919 S

Page 2

FOREIGN PATENT DOCUMENTS					
GB	2035866	6/1994	JP	D1270955	5/2006
GB	2039312	6/1994	WO	DM071849	5/2009
GB	2039313	6/1994	WO	D076835-001	9/2011
GB	2356150 A *	5/2001	* cited by examiner		

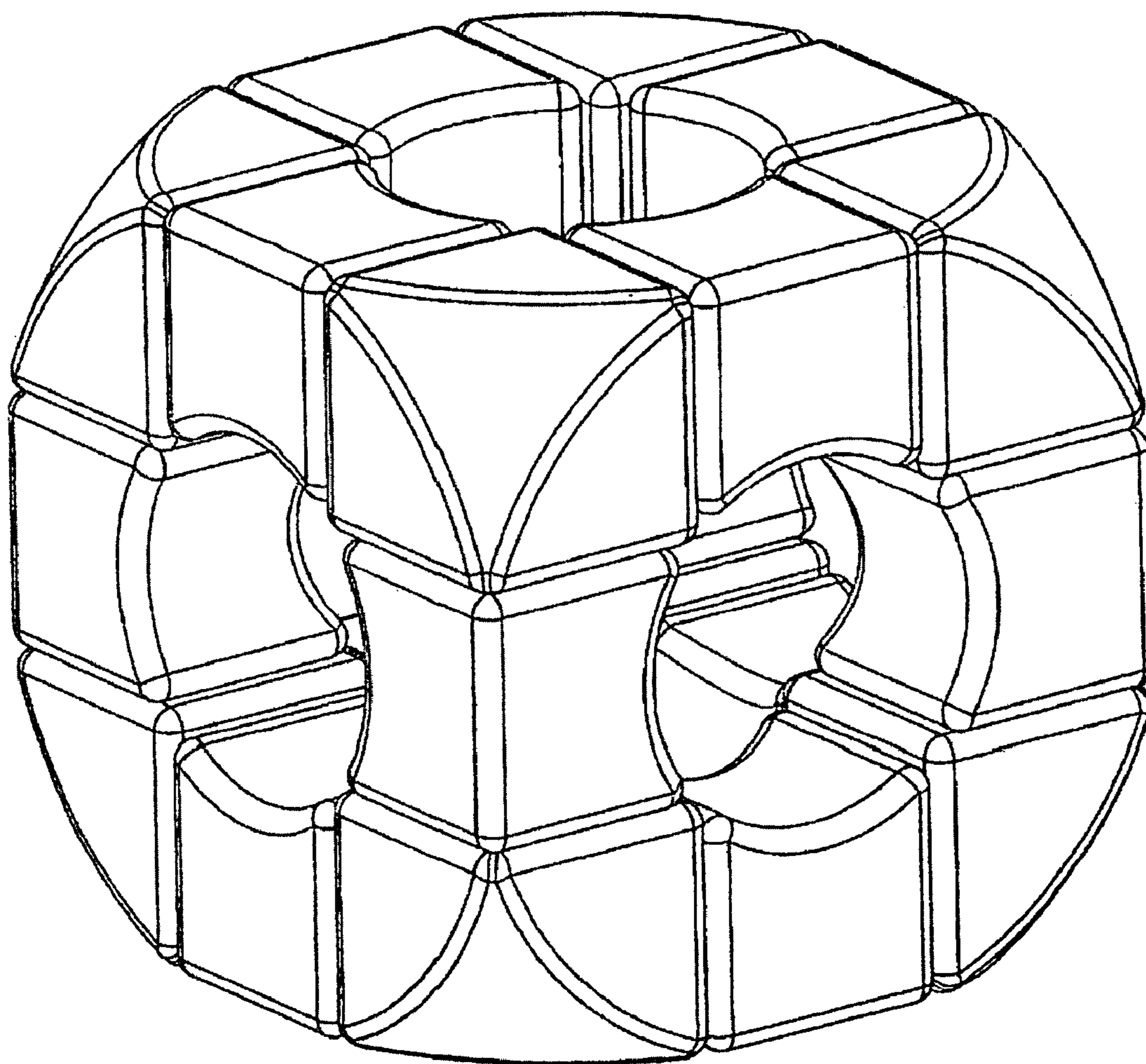


FIGURE 1

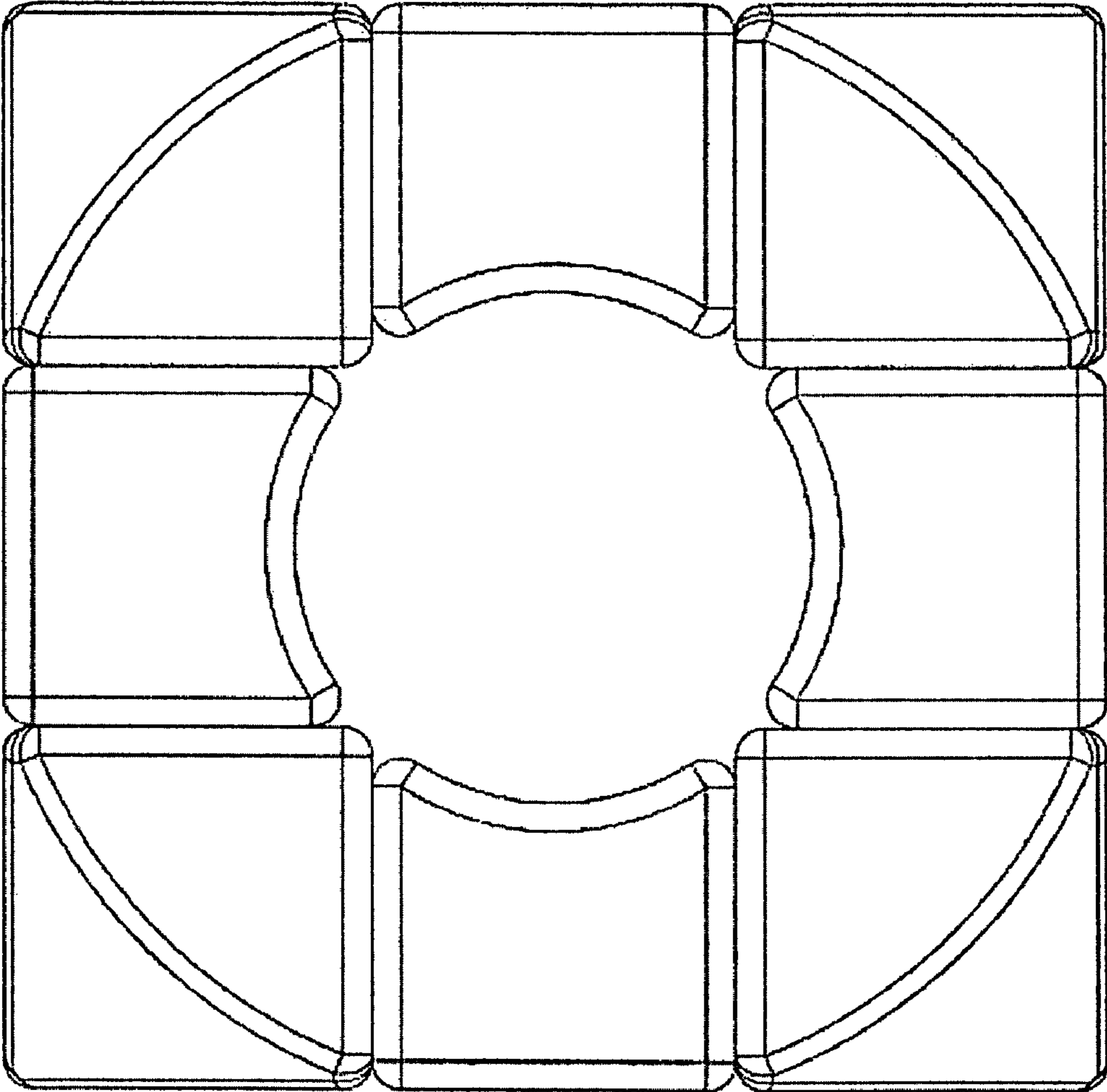


FIGURE 2

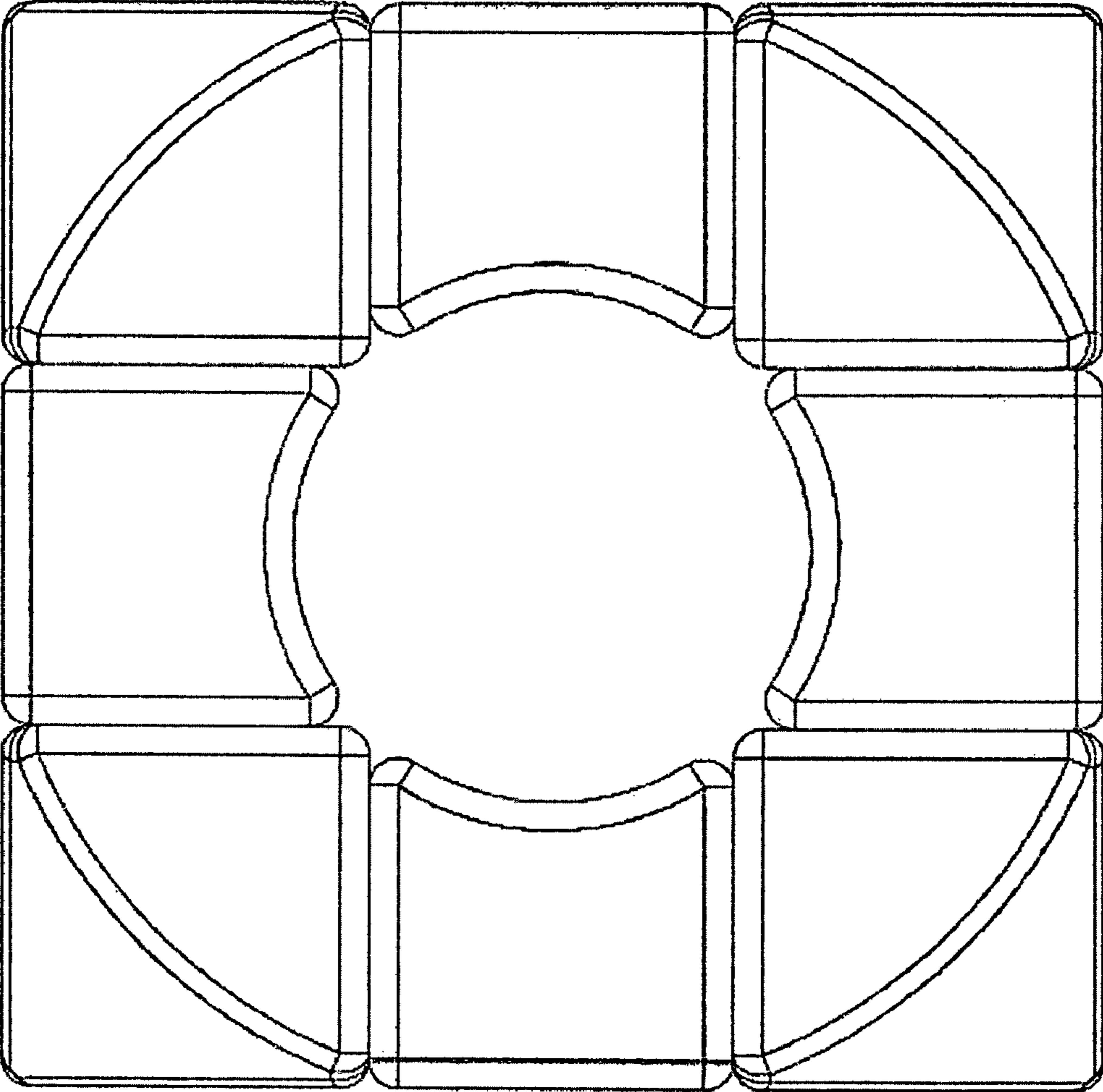


FIGURE 3

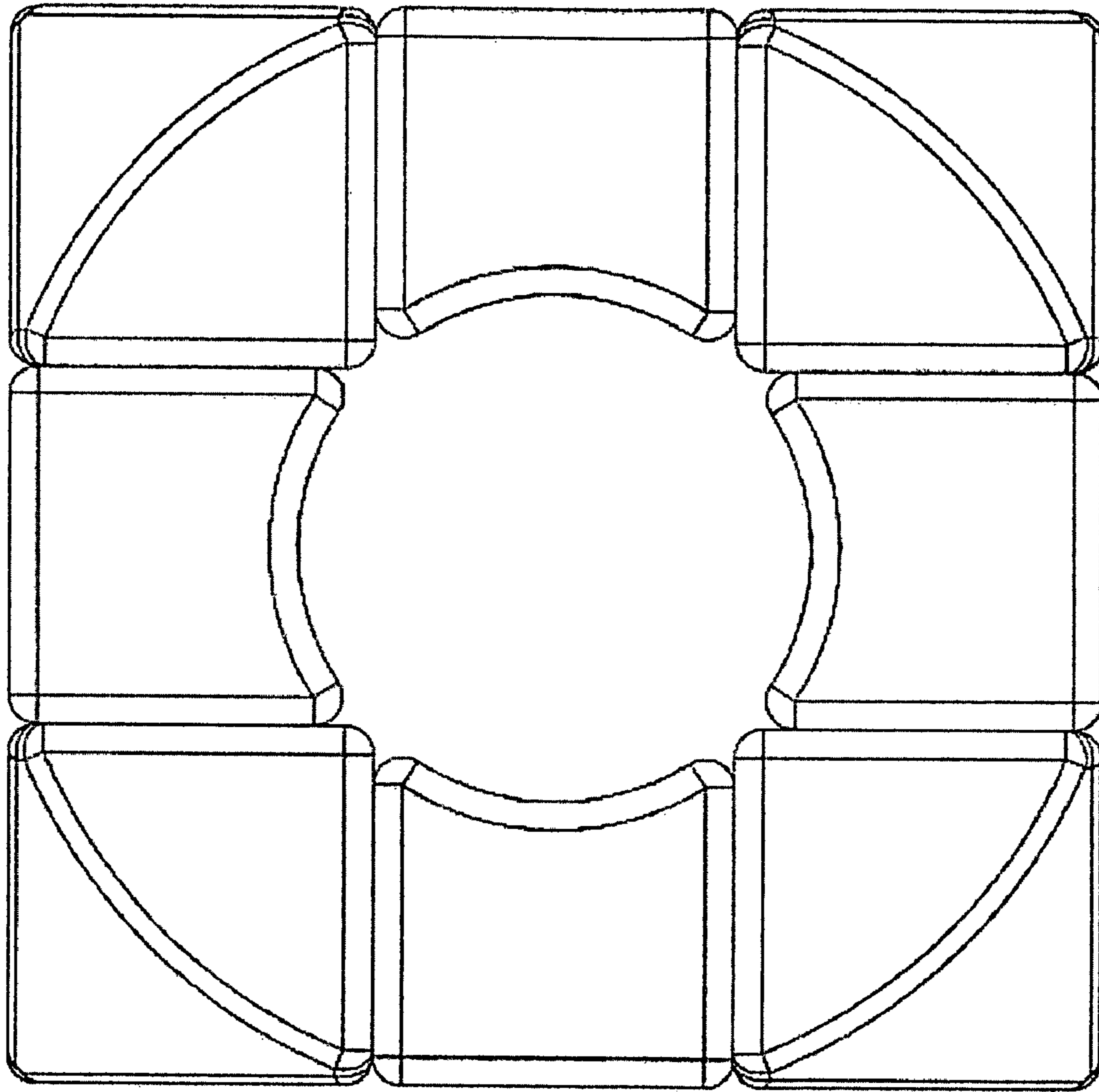


FIGURE 4

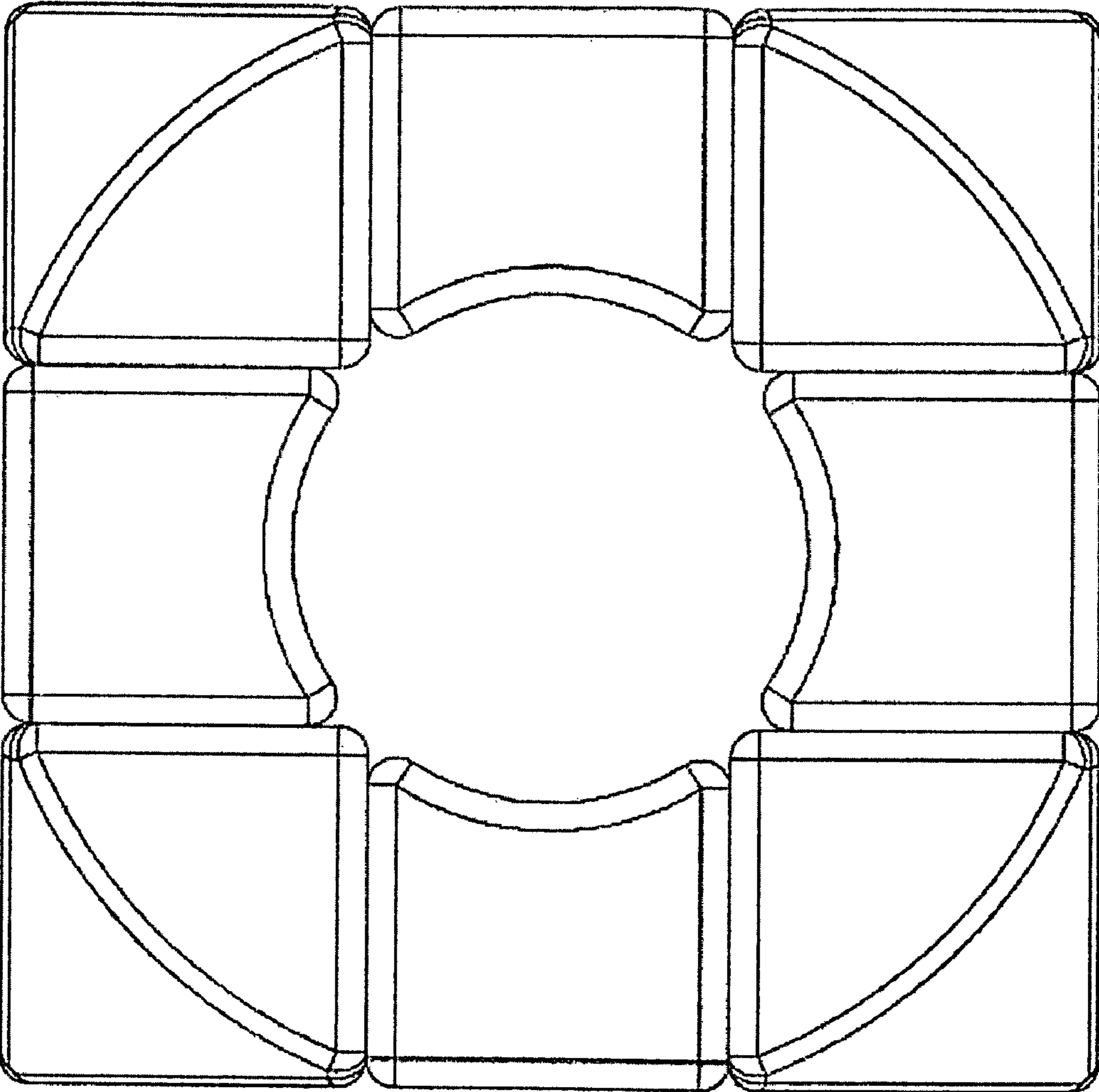


FIGURE 5

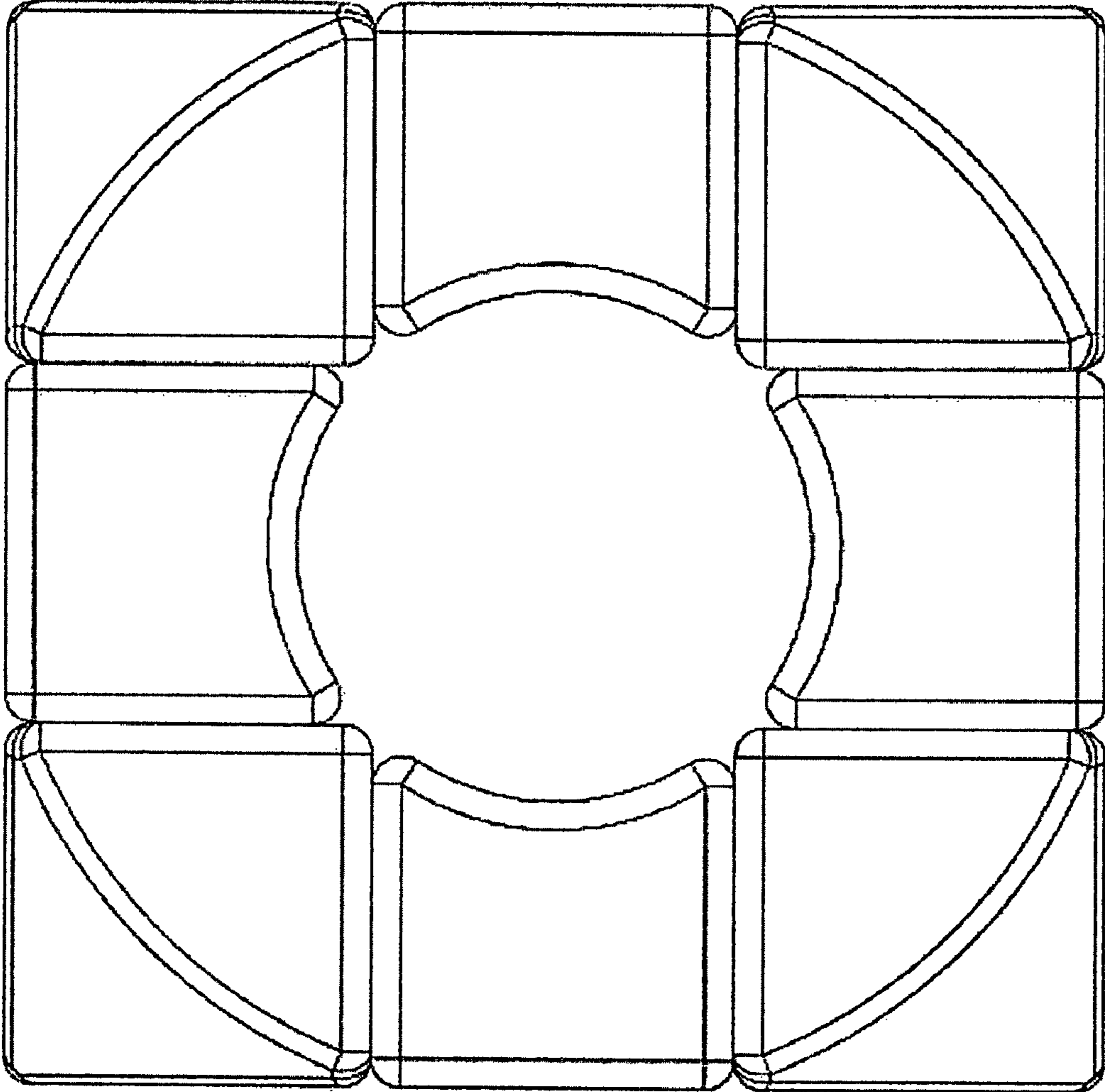


FIGURE 6

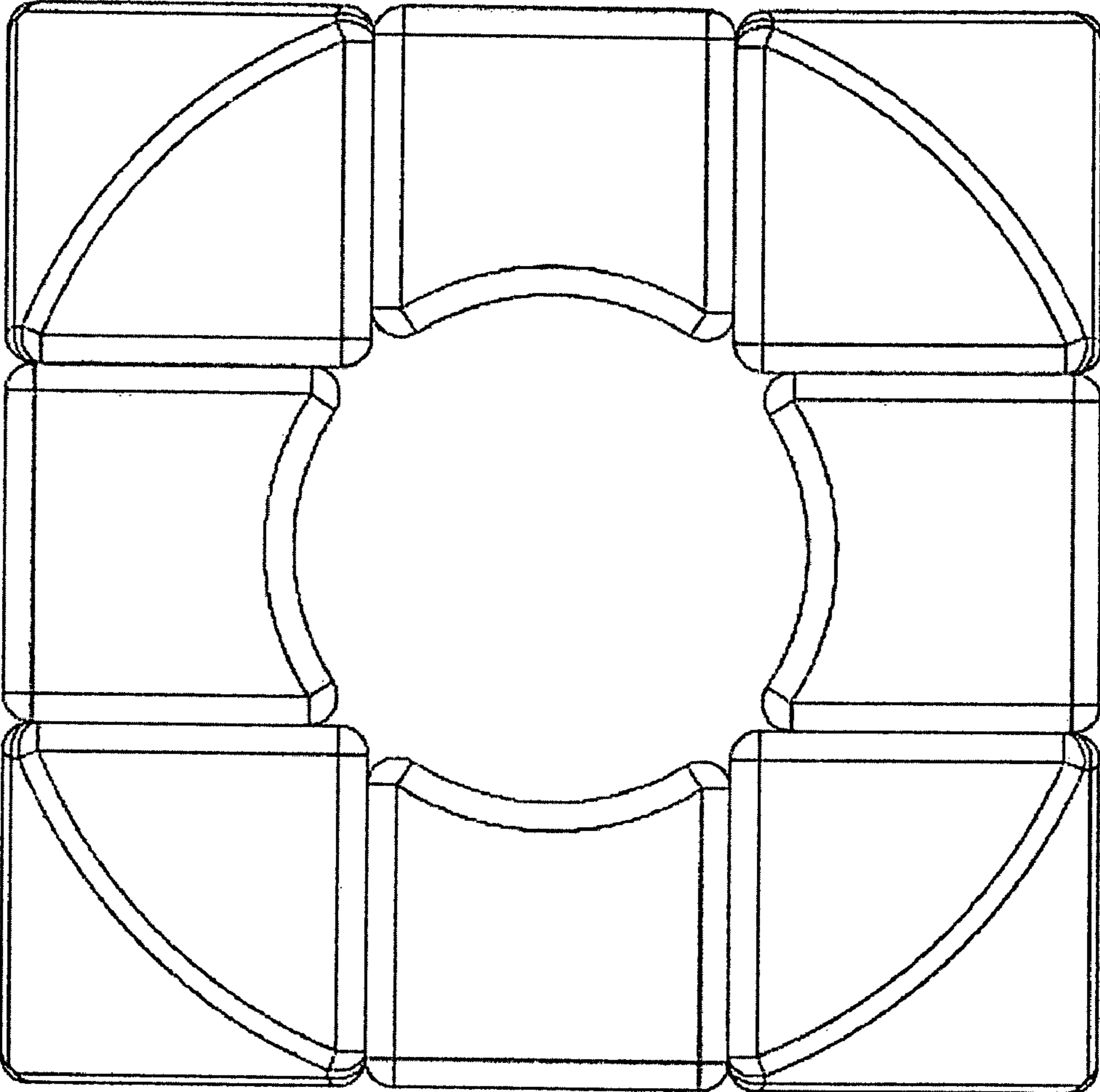


FIGURE 7