

US00D660914S

(12) **United States Design Patent**
Spikes

(10) **Patent No.:** **US D660,914 S**

(45) **Date of Patent:** **** May 29, 2012**

(54) **GAME BOARD**

(76) Inventor: **Michael D Spikes**, Corvallis, OR (US)

(**) Term: **14 Years**

(21) Appl. No.: **29/394,397**

(22) Filed: **Jun. 16, 2011**

(51) **LOC (9) CI.** **21-01**

(52) **U.S. CI.** **D21/323; D21/312**

(58) **Field of Classification Search** D21/300,
D21/312-323, 334, 338, 339, 342; 273/108,
273/108.1, 109, 113, 118 R, 121 R, 121 A,
273/123 R, 124 R, 125 R, 236, 287, 313

See application file for complete search history.

(56) **References Cited**

U.S. PATENT DOCUMENTS

2,551,698	A *	5/1951	Pearl et al.	273/121 A
3,907,293	A *	9/1975	Werner	273/108.53
D239,638	S *	4/1976	Cecchetti	D21/323
4,037,842	A *	7/1977	Breslow	273/127 R
4,162,793	A *	7/1979	Cummings	273/121 A
D253,120	S *	10/1979	Bretschger	D21/323
D264,855	S *	6/1982	Ohkado	D21/323

D273,597	S *	4/1984	Buras et al.	D21/312
D327,916	S *	7/1992	Spikes	D21/323
5,149,094	A *	9/1992	Tastad	273/121 A
D356,602	S *	3/1995	Arad et al.	D21/312
5,516,103	A *	5/1996	Lawlor et al.	273/127 R
6,311,975	B1 *	11/2001	Motosko	273/121 A

* cited by examiner

Primary Examiner — Prabhakar Deshmukh

(74) *Attorney, Agent, or Firm* — Kolisch Hartwell, PC

(57) **CLAIM**

I claim the ornamental design for a game board, as shown and described.

DESCRIPTION

FIG. 1 is a top perspective view of a game board showing my new design;

FIG. 2 is a bottom perspective view thereof;

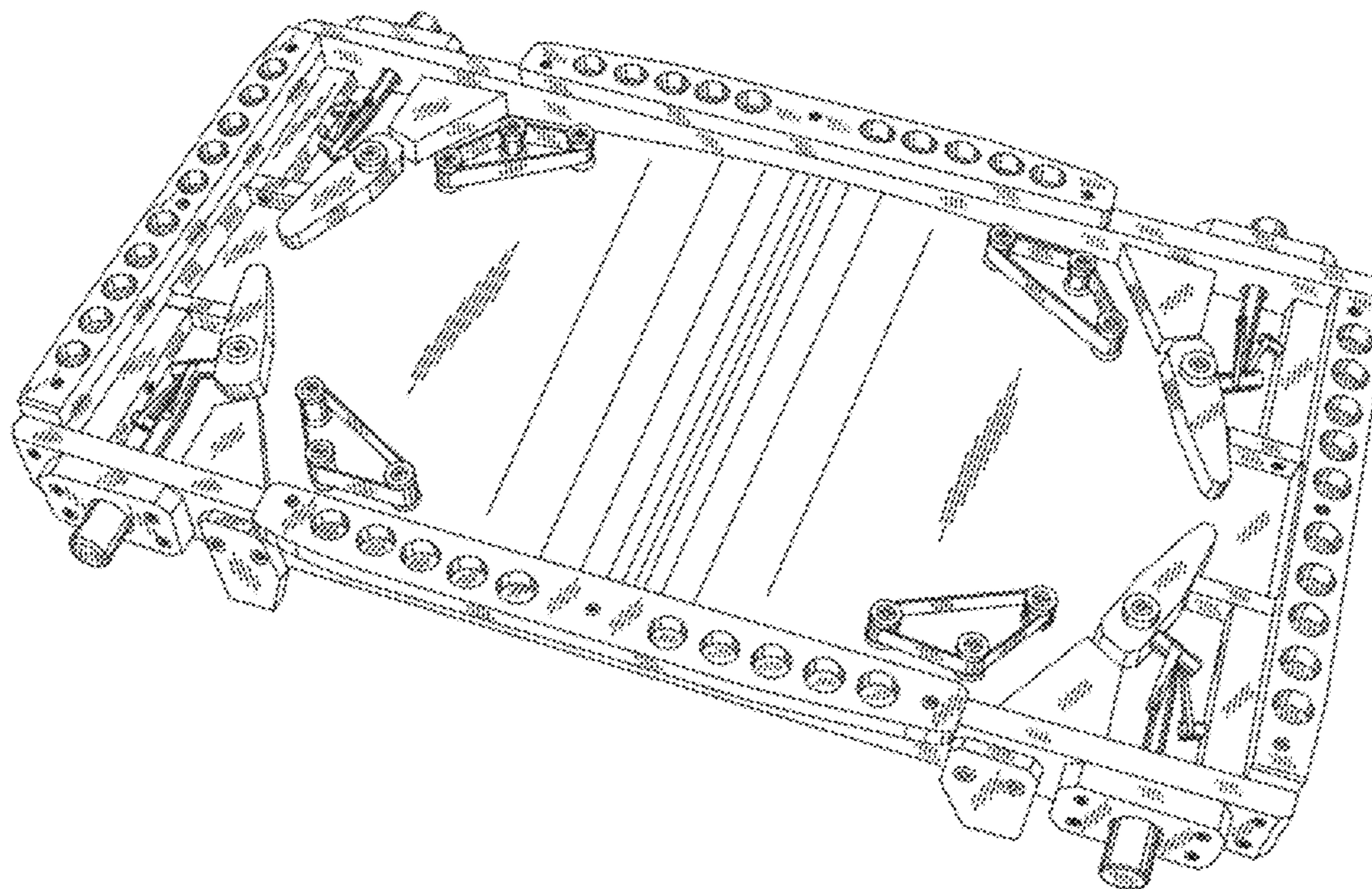
FIG. 3 is a top plan view thereof;

FIG. 4 is a left side elevational view thereof; the right side elevational view being a mirror image thereof;

FIG. 5 is a bottom plan view thereof; and,

FIG. 6 is a front elevational view thereof; the rear elevational view being a mirror image thereof.

1 Claim, 4 Drawing Sheets



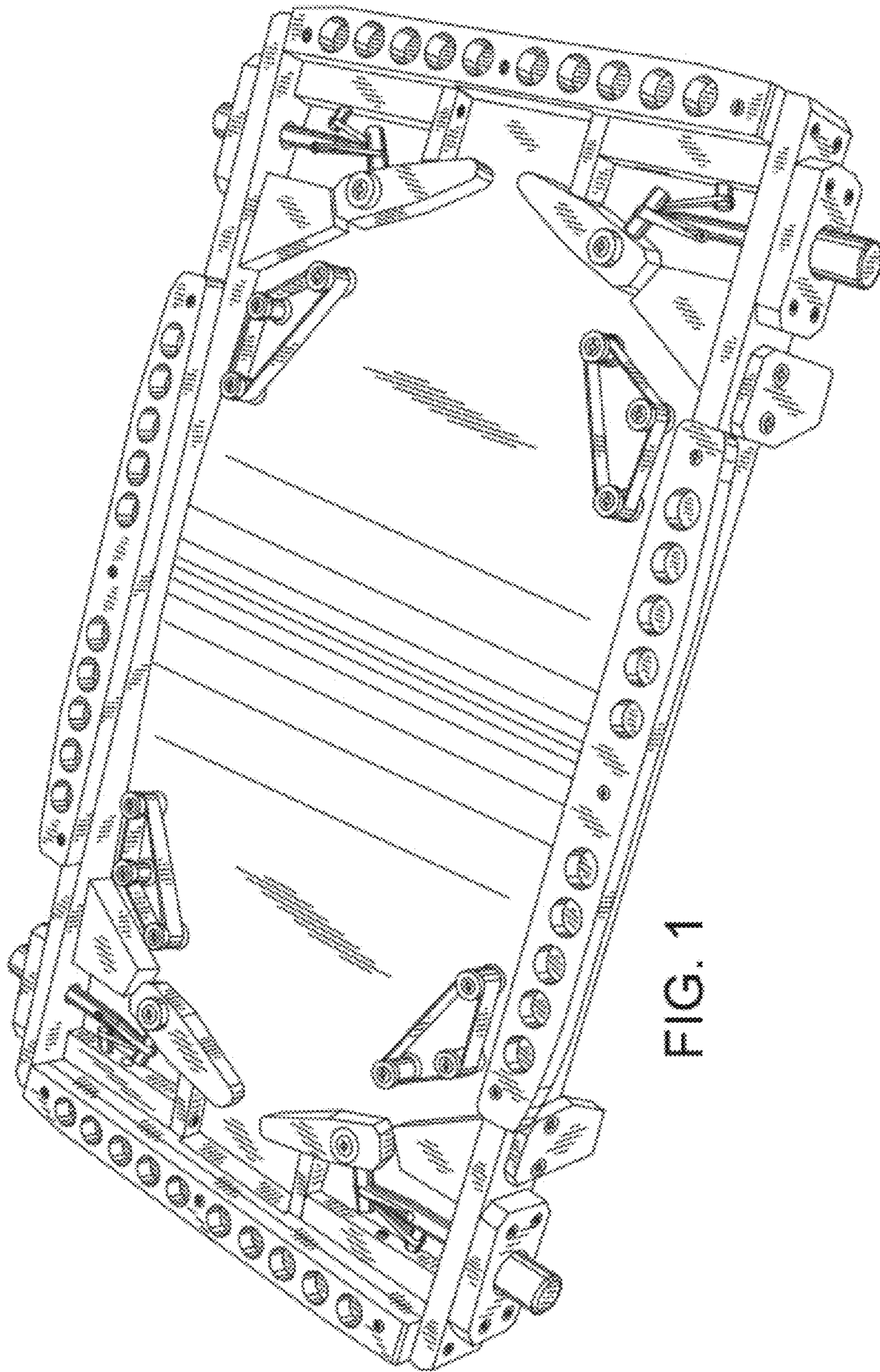


FIG. 1

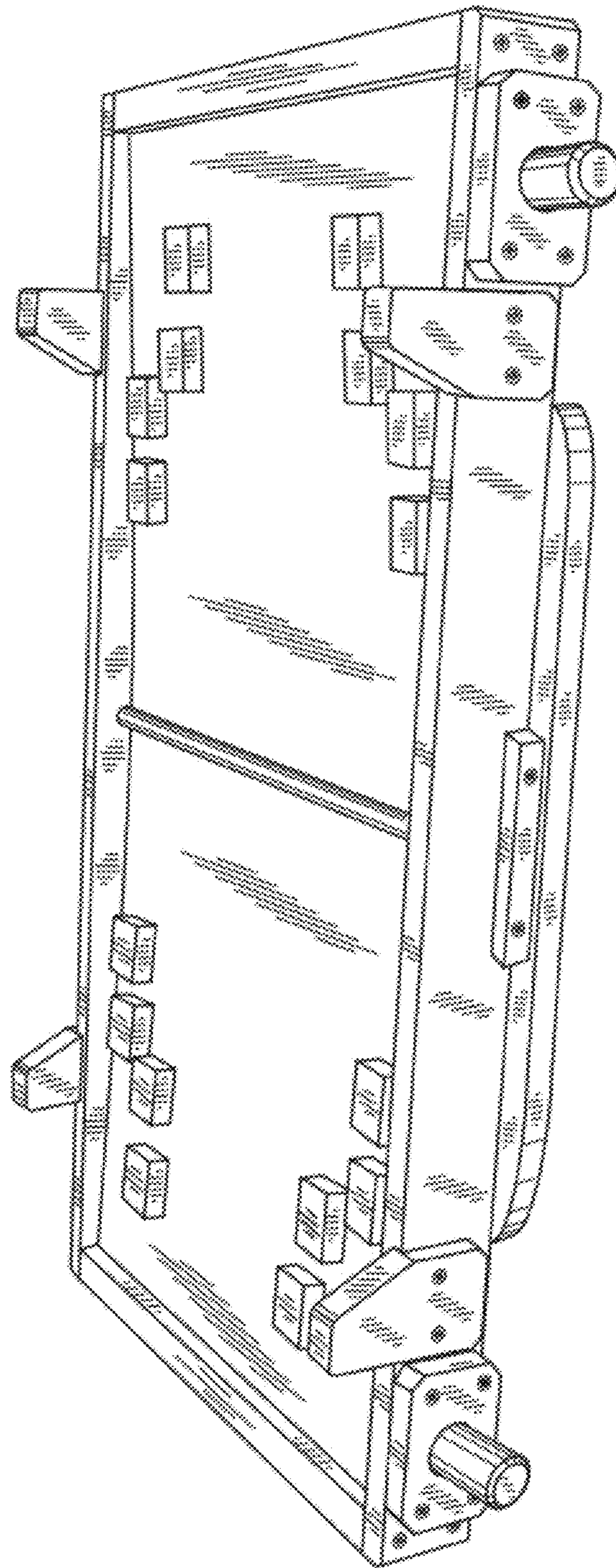


FIG. 2

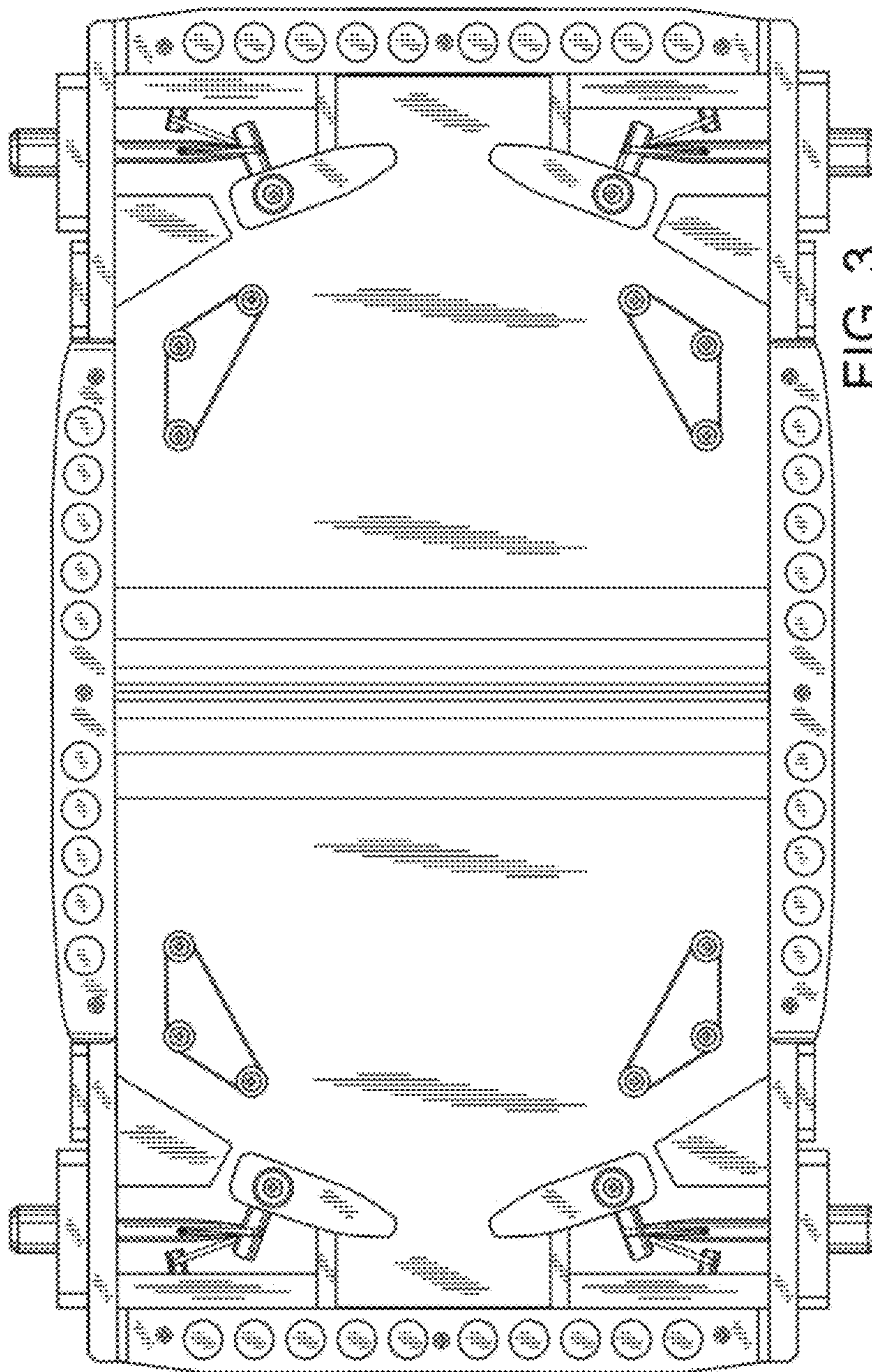


FIG. 3

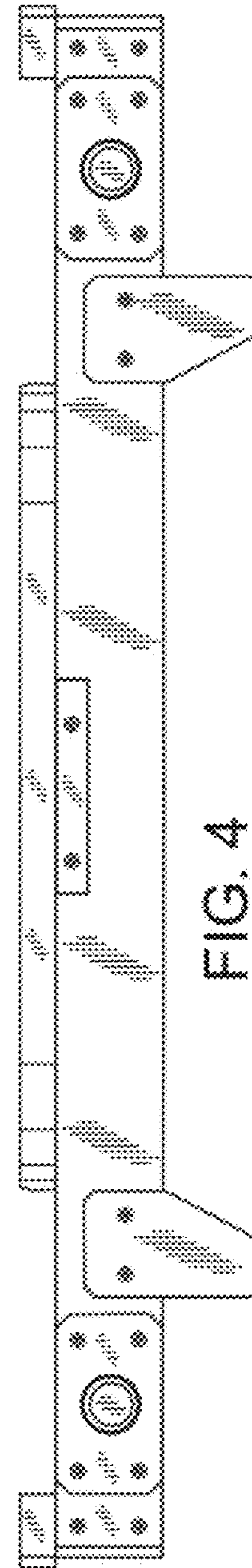


FIG. 4

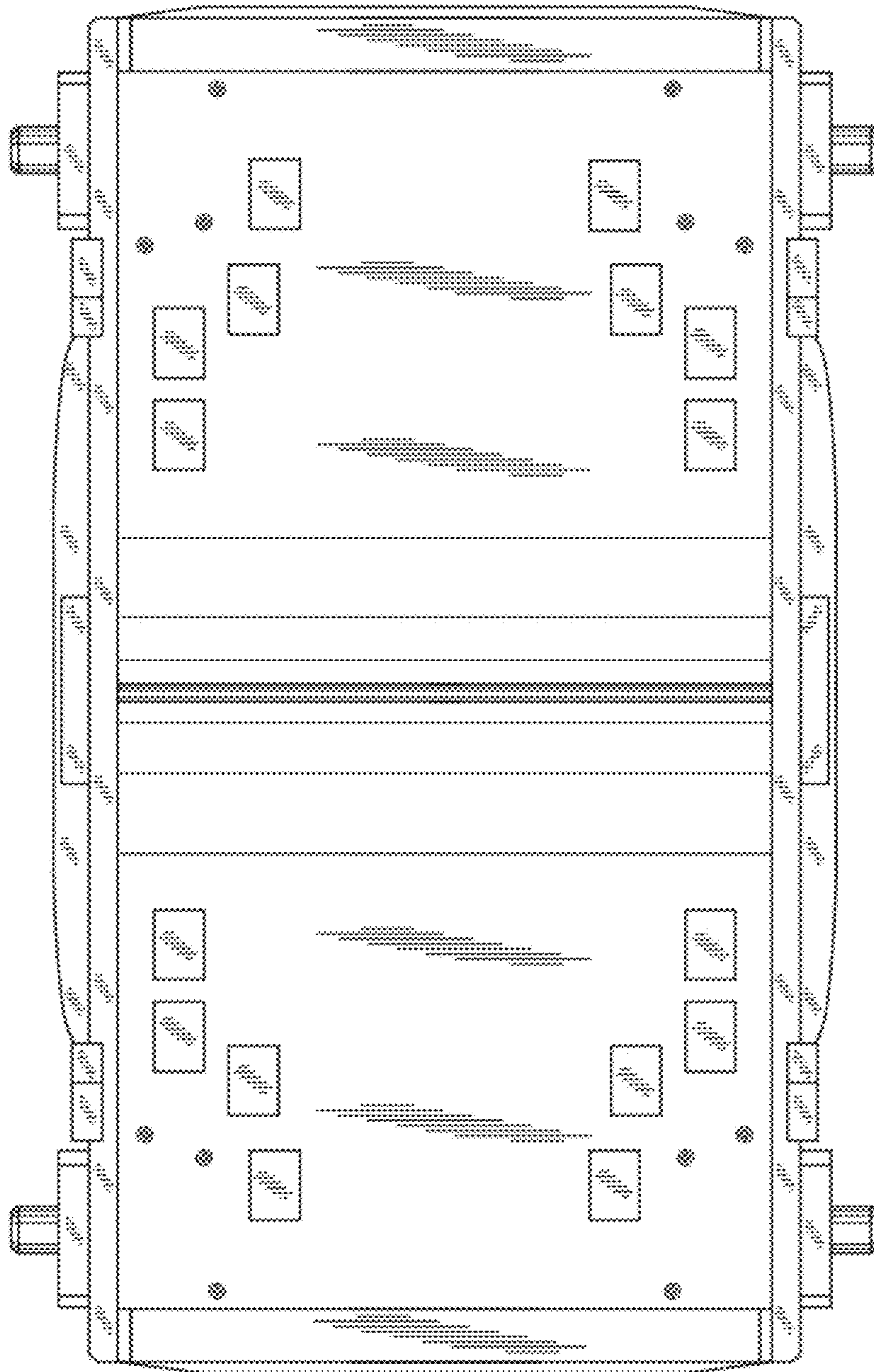


FIG. 5

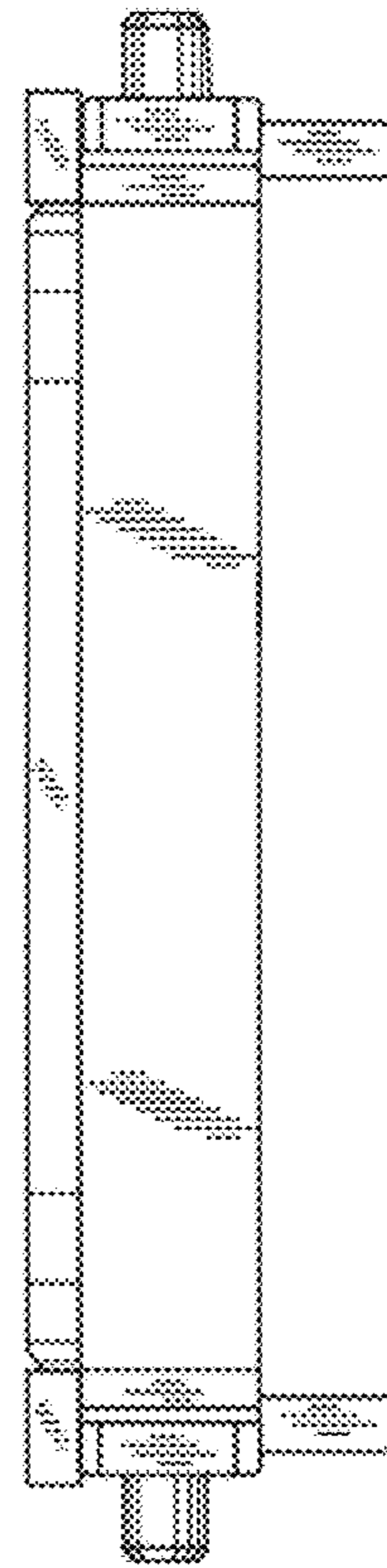


FIG. 6