

US00D660912S

(12) **United States Design Patent**
Denzinger

(10) **Patent No.:** **US D660,912 S**

(45) **Date of Patent:** **** May 29, 2012**

(54) **BUSINESS CARD HOLDER**

(76) Inventor: **Benjamin J. Denzinger**, Los Angeles,
CA (US)

(**) Term: **14 Years**

(21) Appl. No.: **29/372,701**

(22) Filed: **Dec. 30, 2010**

(51) **LOC (9) Cl.** **19-02**

(52) **U.S. Cl.** **D19/91**

(58) **Field of Classification Search** D6/310,
D6/419, 490, 567; D19/75, 78, 86, 87, 90,
D19/91; D20/43; 206/215, 425; 211/11,
211/45, 50; 248/444.1, 447.1, 452, 453,
248/460

See application file for complete search history.

(56) **References Cited**

U.S. PATENT DOCUMENTS

805,895	A *	11/1905	Wedderburn	273/150
D46,314	S *	8/1914	Levy	D6/310
1,745,767	A *	2/1930	Reilly	24/67.5
D141,059	S *	5/1945	Siegel	D6/314
2,490,356	A *	12/1949	Hummel	248/463
D168,420	S *	12/1952	Pinkham, Jr.	D6/310
D174,226	S *	3/1955	Houlihan	D6/306
D221,191	S *	7/1971	Nutt	D19/91
D236,112	S *	7/1975	Statts	D19/75
4,242,817	A *	1/1981	Ballard	40/745
D272,547	S *	2/1984	Gordon	D19/91
D276,779	S *	12/1984	Gomez	D6/418
D278,109	S *	3/1985	Leeds	D6/419
D329,558	S *	9/1992	Keown	D6/515

D396,170	S *	7/1998	Conway	D7/590
D421,274	S *	2/2000	Kreimer et al.	D19/90
6,430,857	B1 *	8/2002	Nagel	40/661
D501,513	S *	2/2005	Linyear et al.	D19/91
D546,610	S *	7/2007	Blanchard	D6/567
D580,991	S *	11/2008	Smith	D19/91
D616,501	S *	5/2010	Maier-Hunke	D20/10
D640,750	S *	6/2011	Bird et al.	D20/44

* cited by examiner

Primary Examiner — Elizabeth Albert

(74) *Attorney, Agent, or Firm* — Steven E. Shapiro

(57) **CLAIM**

The ornamental design for a business card holder, as shown and described.

DESCRIPTION

FIG. 1 is a top, front perspective view of a business card holder;

FIG. 2 is a bottom, front perspective view of the business card holder;

FIG. 3 is a bottom, rear perspective view of the business card holder;

FIG. 4 is a top, side perspective view of the business card holder;

FIG. 5 is a top rear perspective view of the business card holder;

FIG. 6 is a front view of the business card holder;

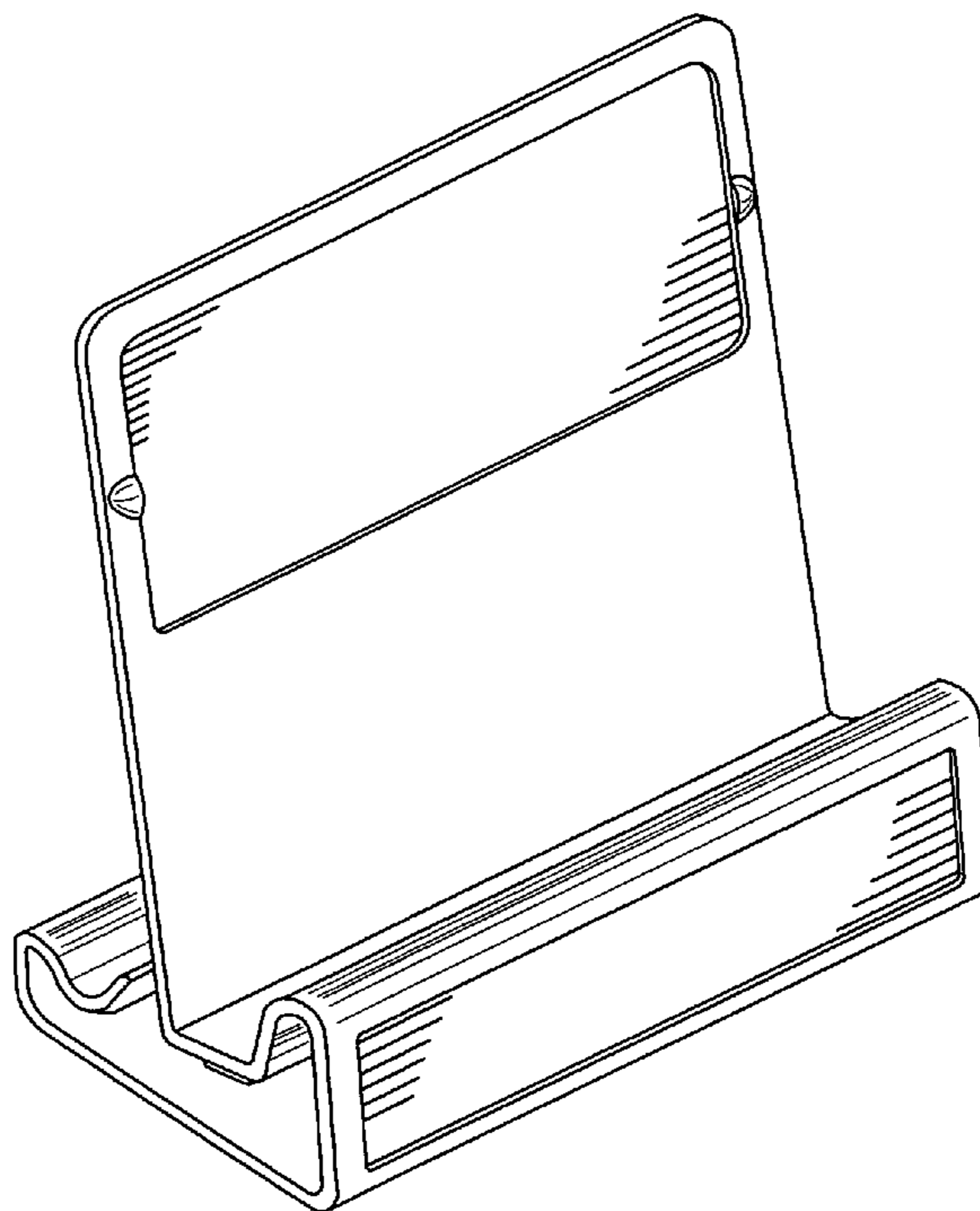
FIG. 7 is a rear view of the business card holder;

FIG. 8 is a side view of business card holder;

FIG. 9 is a top plan view of the business card holder; and,

FIG. 10 is a bottom plan view of the business card holder.

1 Claim, 10 Drawing Sheets



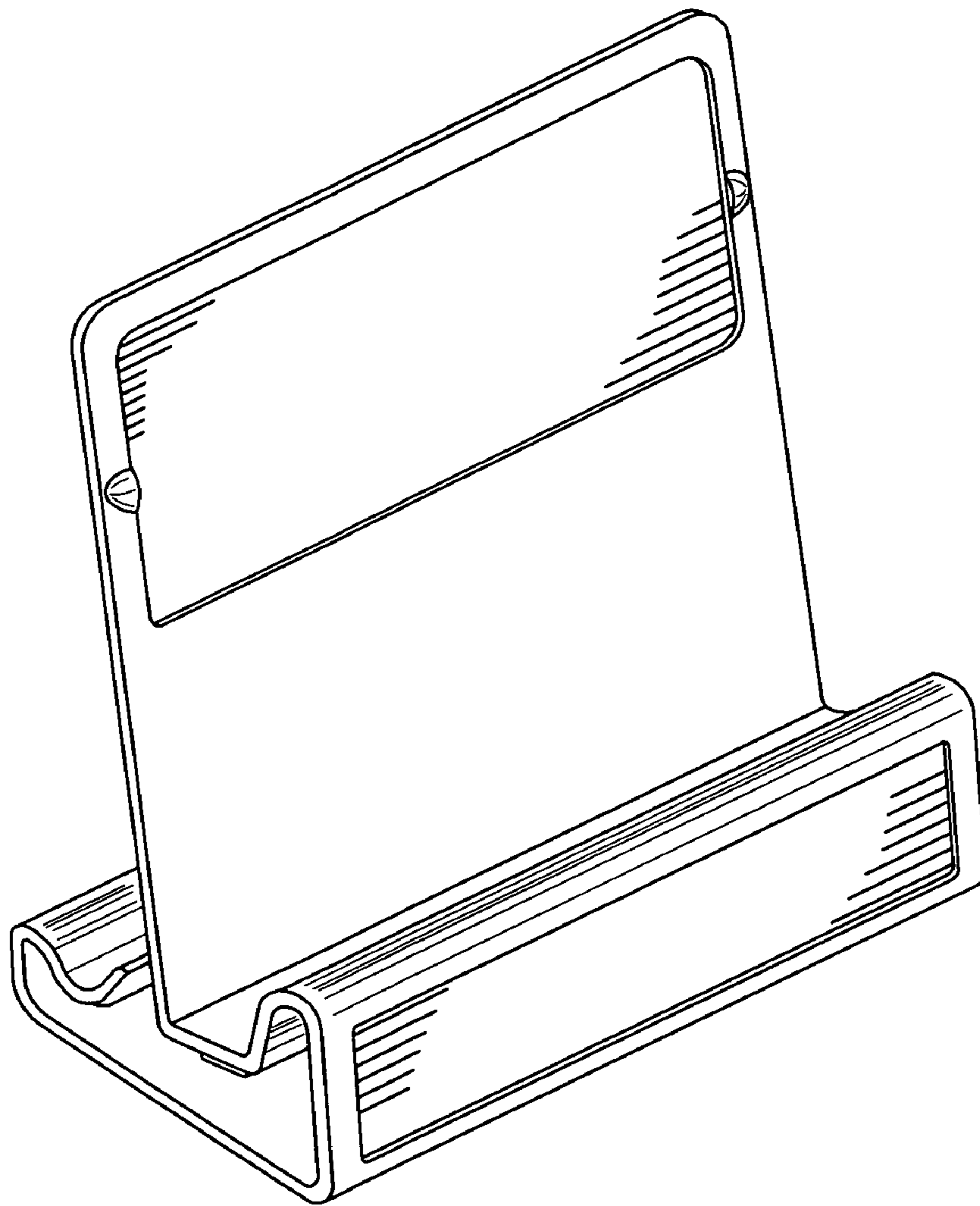


Fig. 1

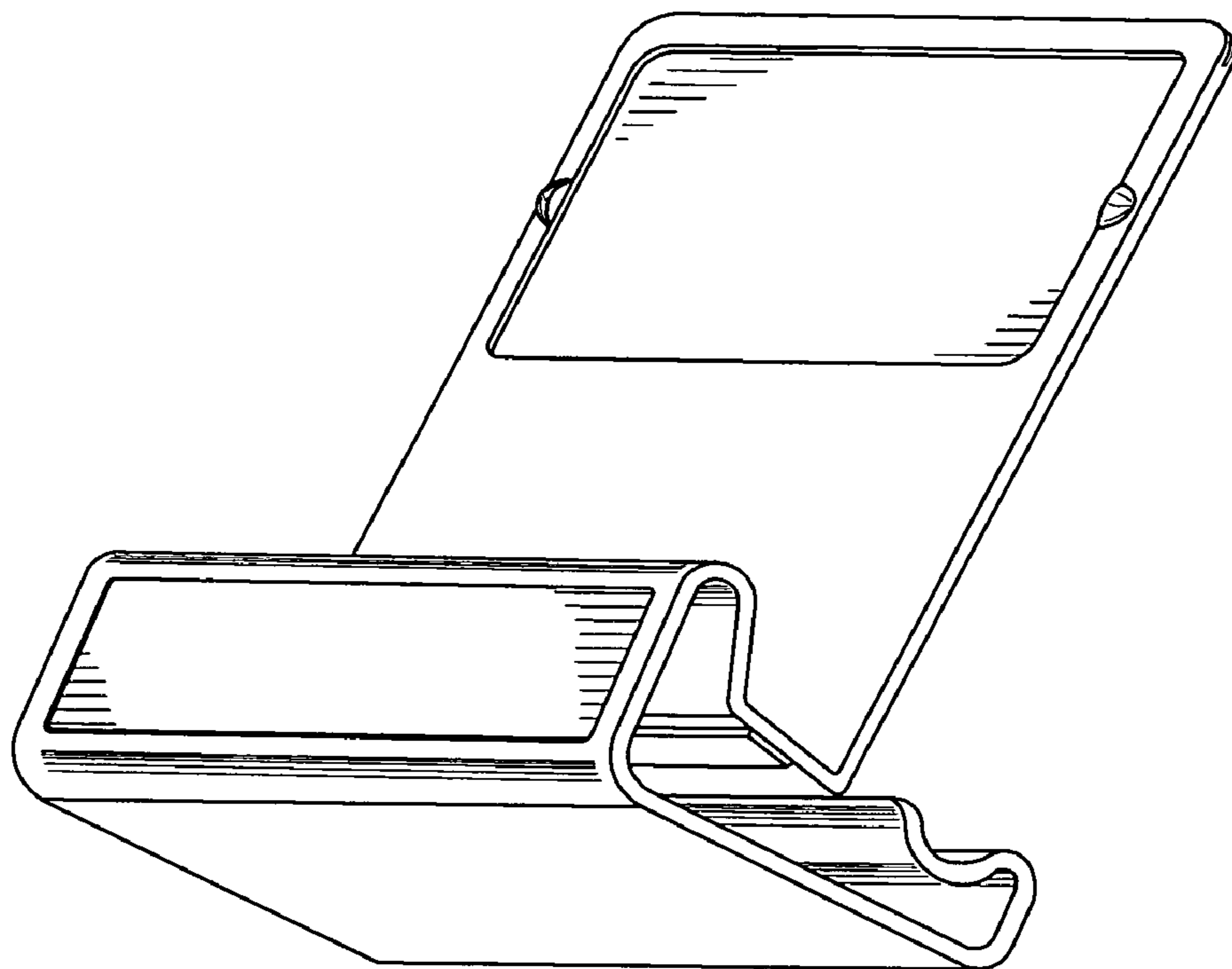


Fig. 2

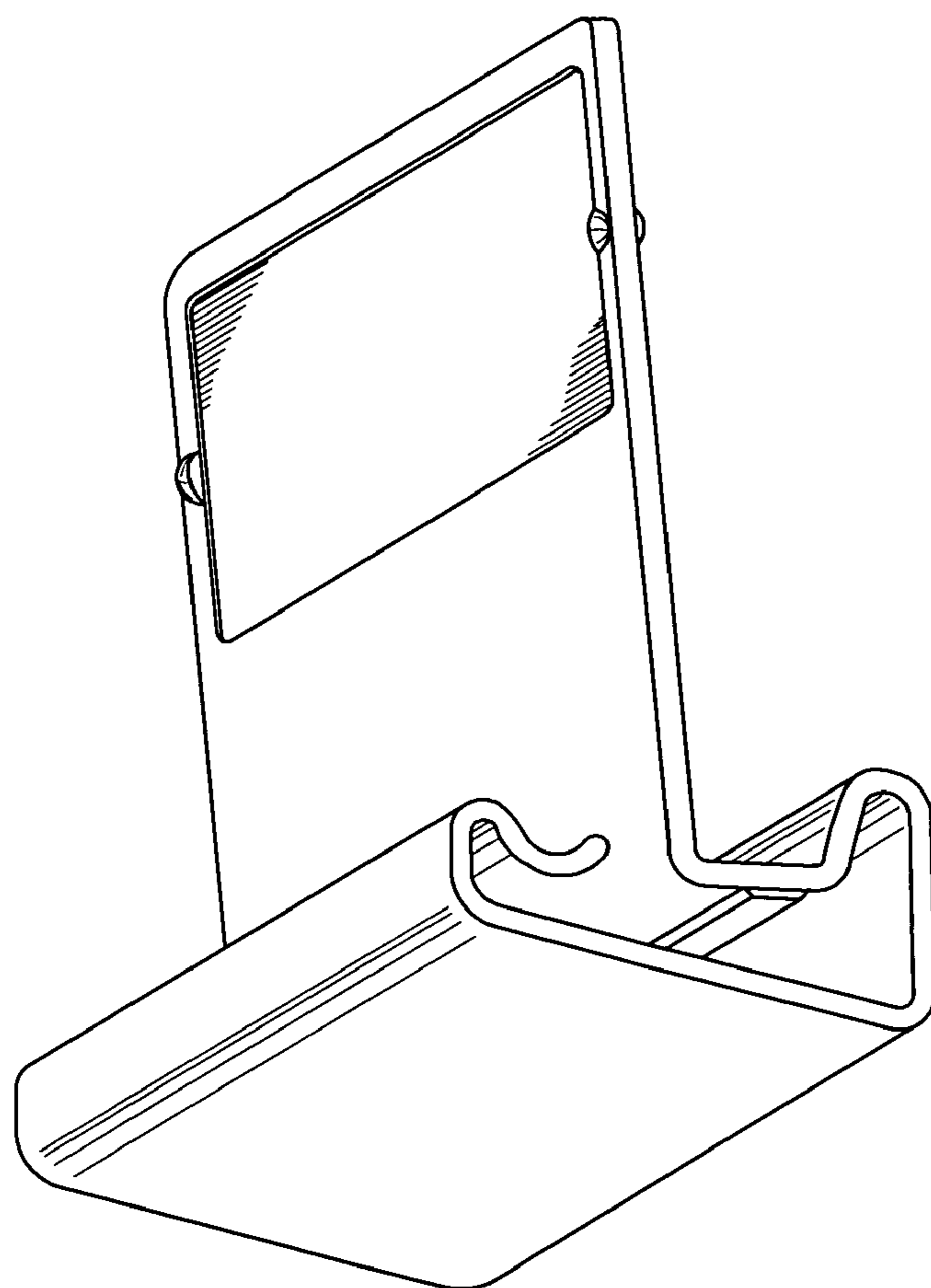


Fig. 3

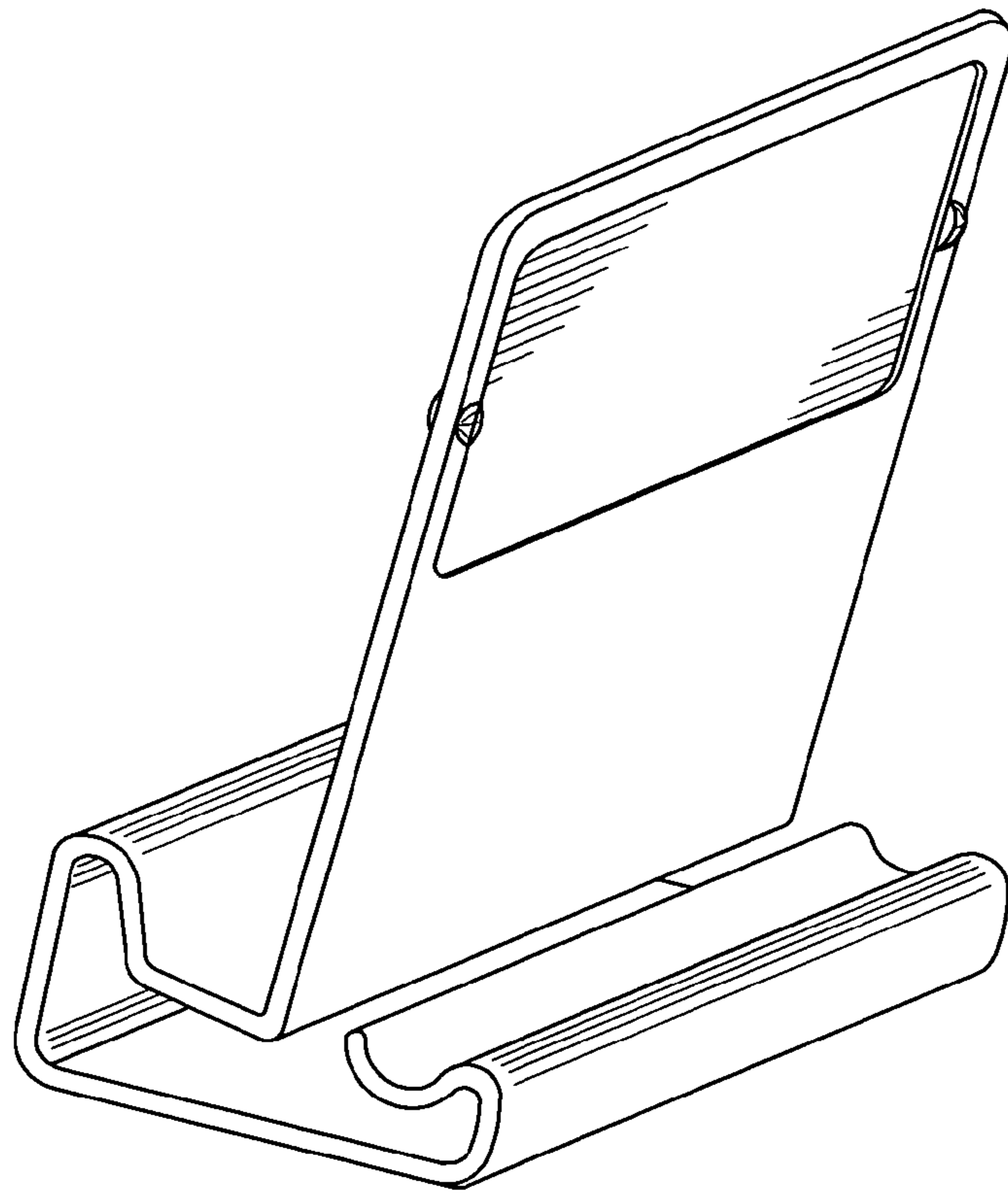


Fig. 4

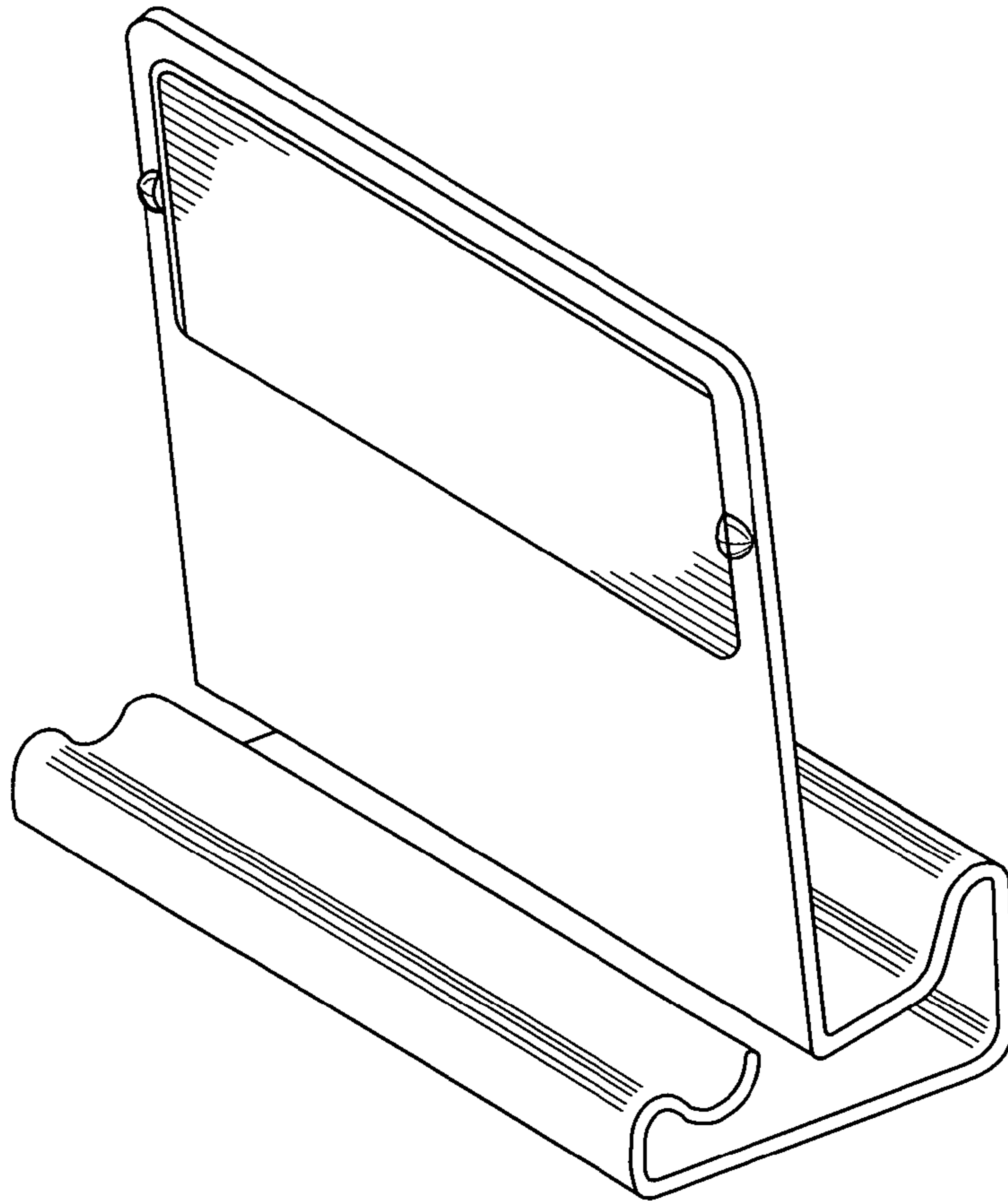


Fig. 5

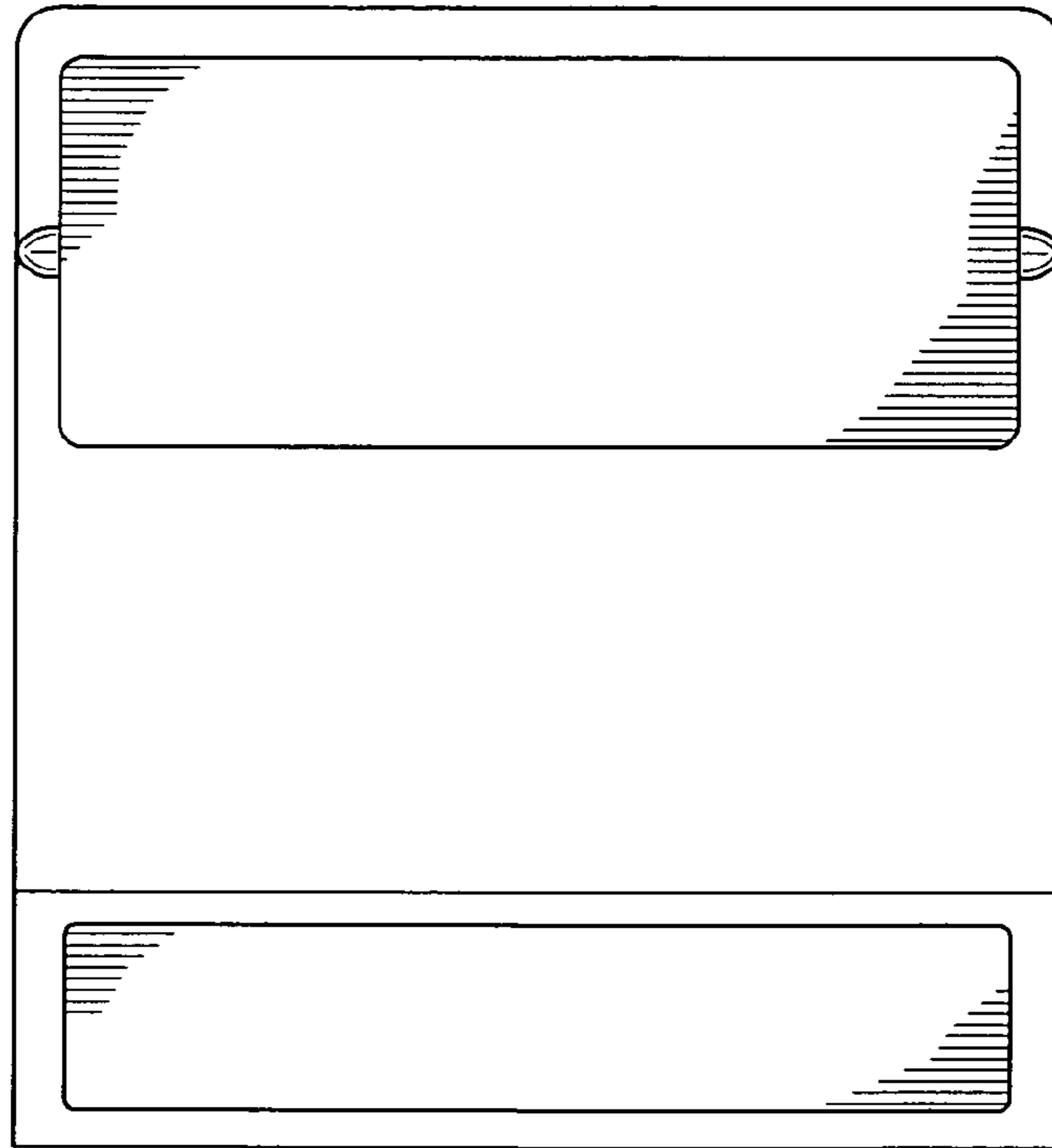


Fig. 6

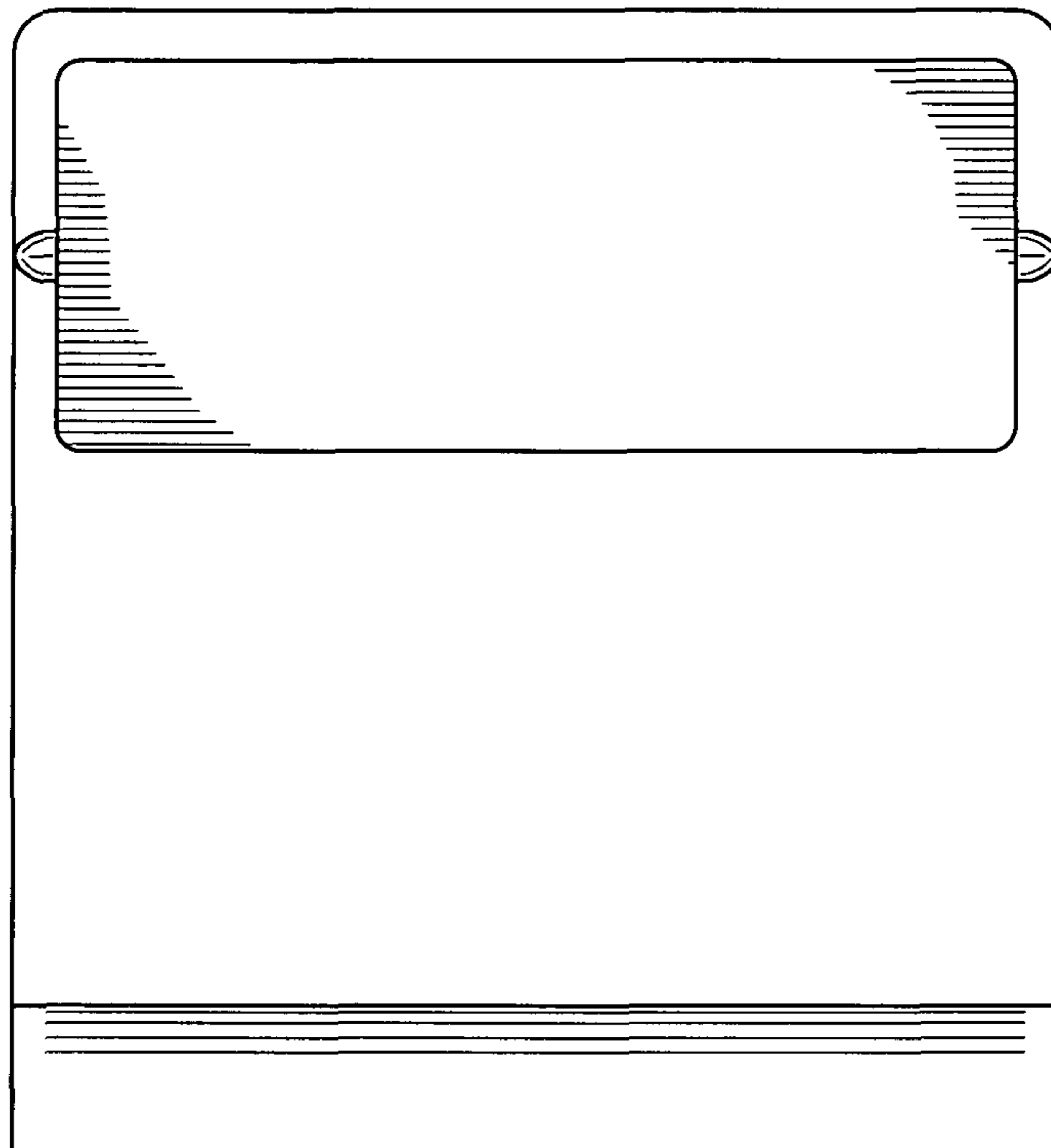


Fig. 7

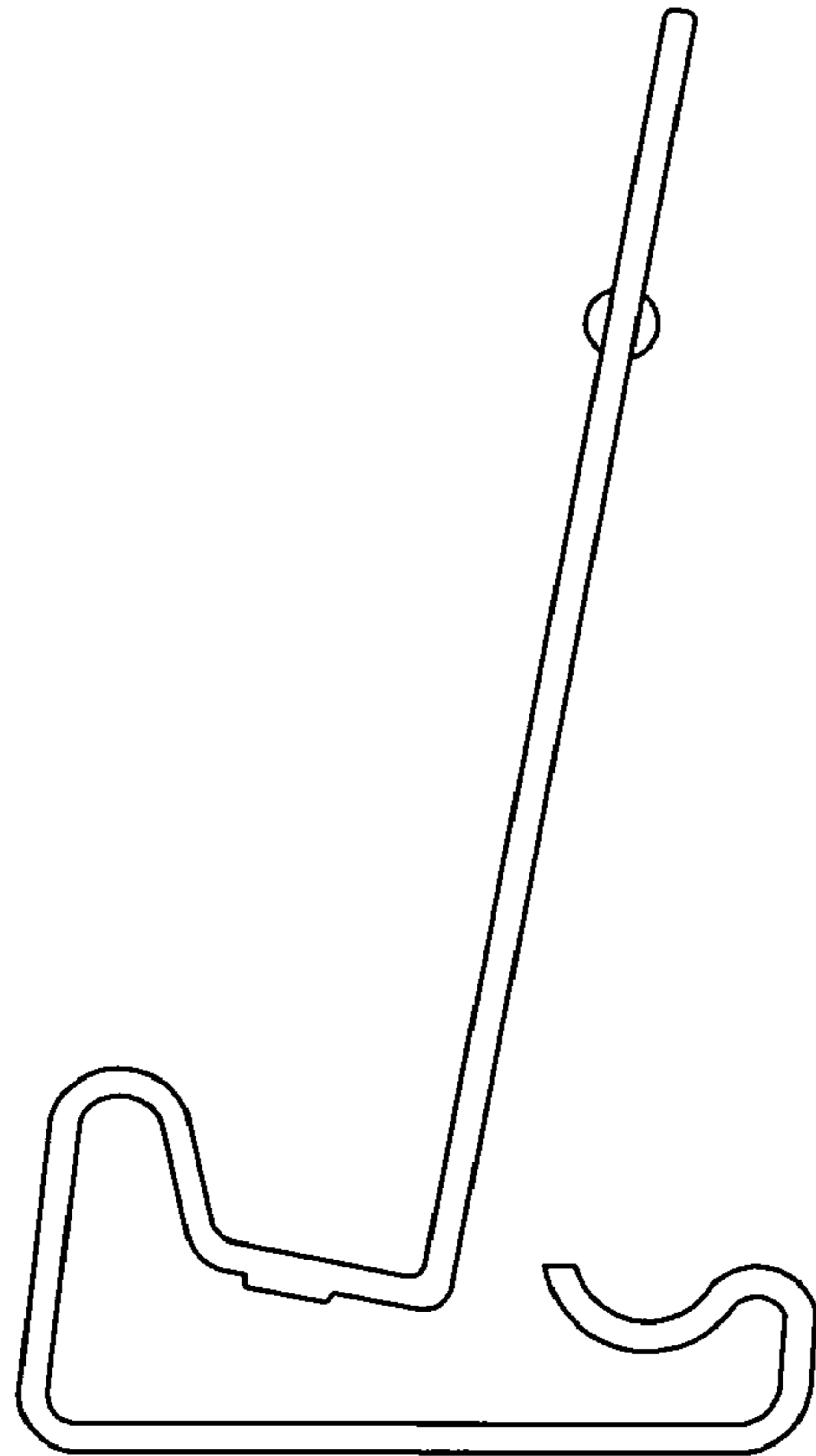


Fig. 8

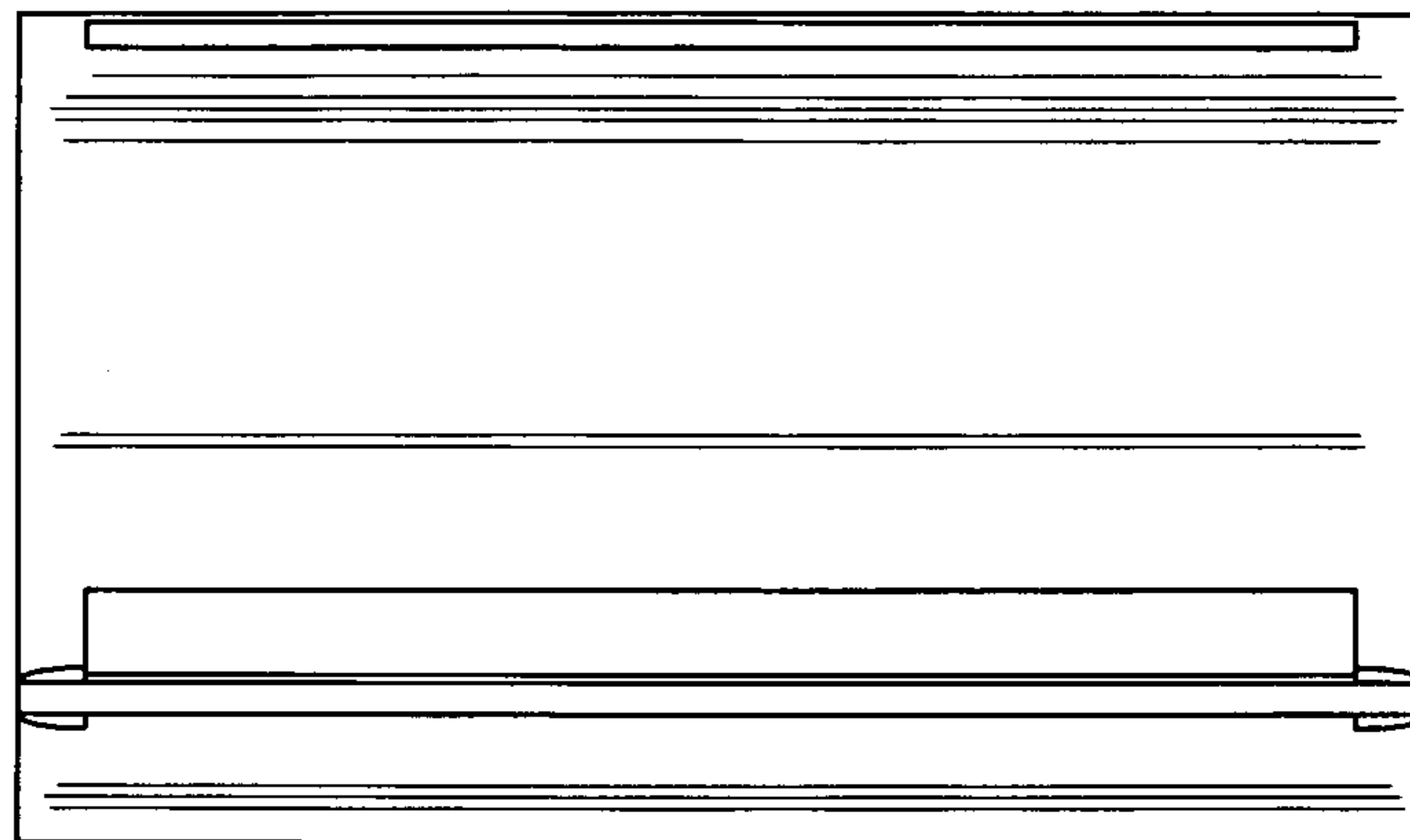


Fig. 9

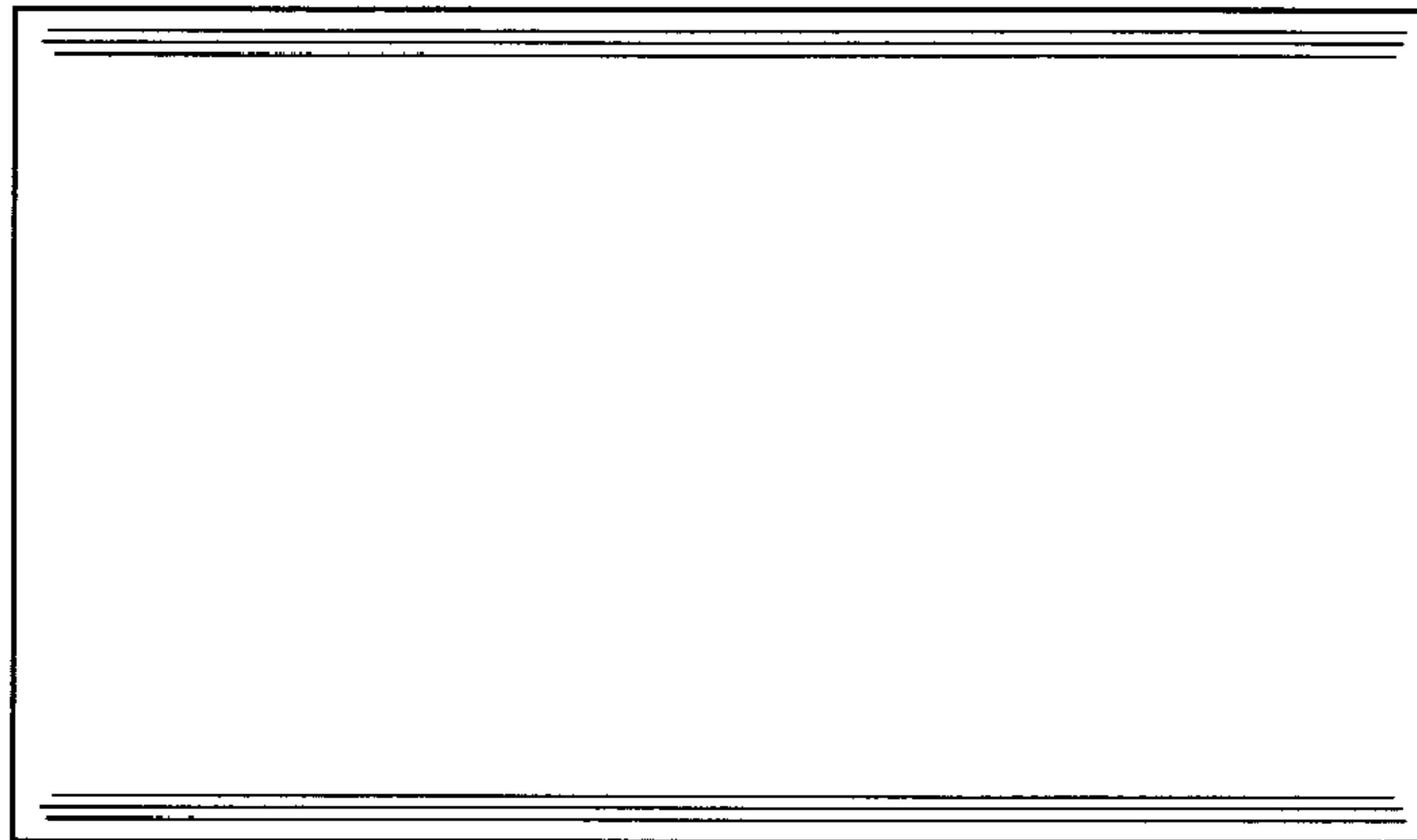


Fig. 10