

US00D660907S

(12) **United States Design Patent**  
**Wing et al.**

(10) **Patent No.:** **US D660,907 S**  
(45) **Date of Patent:** **\*\* May 29, 2012**

(54) **PAPER SHREDDER**

(75) Inventors: **Lau Hee Wing**, Hong Kong (HK); **Leon Kuo Liang Yoong**, Wheelers Hill (AU); **Lam Kwok Fan**, Hong Kong (HK)

(73) Assignee: **Techtronic Floor Care Technology Limited**, Tortola (VG)

(\*\*) Term: **14 Years**

(21) Appl. No.: **29/361,870**

(22) Filed: **May 17, 2010**

**Related U.S. Application Data**

(62) Division of application No. 29/328,174, filed on Nov. 20, 2008, now Pat. No. Des. 618,275.

(51) **LOC (9) Cl.** ..... **18-04**

(52) **U.S. Cl.** ..... **D18/34.5**

(58) **Field of Classification Search** ..... D18/34.4,  
D18/34.5; D23/356, 359, 360, 364; 241/100,  
241/236, 30, 36

See application file for complete search history.

(56) **References Cited**

**U.S. PATENT DOCUMENTS**

D437,343 S	2/2001	Ho	
D498,252 S	11/2004	Lo	
D502,729 S	3/2005	Lo	
D502,961 S *	3/2005	Lo	..... D18/34.6
D531,659 S	11/2006	Lo	
D532,444 S	11/2006	Kao et al.	
D546,872 S	7/2007	Kent et al.	
D547,366 S	7/2007	Kent et al.	
D557,735 S	12/2007	Ho	
D558,257 S	12/2007	Joachim et al.	
D580,480 S	11/2008	Sued et al.	

D586,846 S	2/2009	Kent et al.	
D602,074 S *	10/2009	Holderfield et al.	..... D18/34.5
D602,982 S	10/2009	Kit et al.	
D602,983 S *	10/2009	Kit et al.	..... D18/34.5
7,604,187 B1	10/2009	Lo	
7,635,102 B2	12/2009	Maitlin et al.	
D615,123 S *	5/2010	Graves	..... D18/34.5
D616,924 S *	6/2010	Kim et al.	..... D18/34.5
D616,925 S *	6/2010	Kim et al.	..... D18/34.5
D618,275 S *	6/2010	Wing et al.	..... D18/34.5
2002/0017579 A1 *	2/2002	Wen	..... 241/236
2008/0283645 A1 *	11/2008	Mussig et al.	..... 241/221
2010/0176227 A1 *	7/2010	Davis et al.	..... 241/34
2010/0288861 A1 *	11/2010	Cai et al.	..... 241/30
2011/0210194 A1 *	9/2011	Davis et al.	..... 241/30

\* cited by examiner

*Primary Examiner* — Bridget L Eland

(74) *Attorney, Agent, or Firm* — Hahn Loeser & Parks; Jason R. Stobel

(57) **CLAIM**

The ornamental design for a paper shredder, as shown and described.

**DESCRIPTION**

FIG. 1 is a perspective view of a paper shredder;  
FIG. 2 is a front elevational view thereof,  
FIG. 3 is a right side elevational view thereof, with a left side elevational view being a mirror image thereof;  
FIG. 4 is a rear elevational view thereof;  
FIG. 5 is a top plan view thereof; and,  
FIG. 6 is a bottom plan view thereof.

The broken lines immediately adjacent the claimed areas represent the bounds of the claimed design while all other broken lines are directed to environment and are for illustrative purposes only; the broken lines form no part of the claimed design.

**1 Claim, 5 Drawing Sheets**



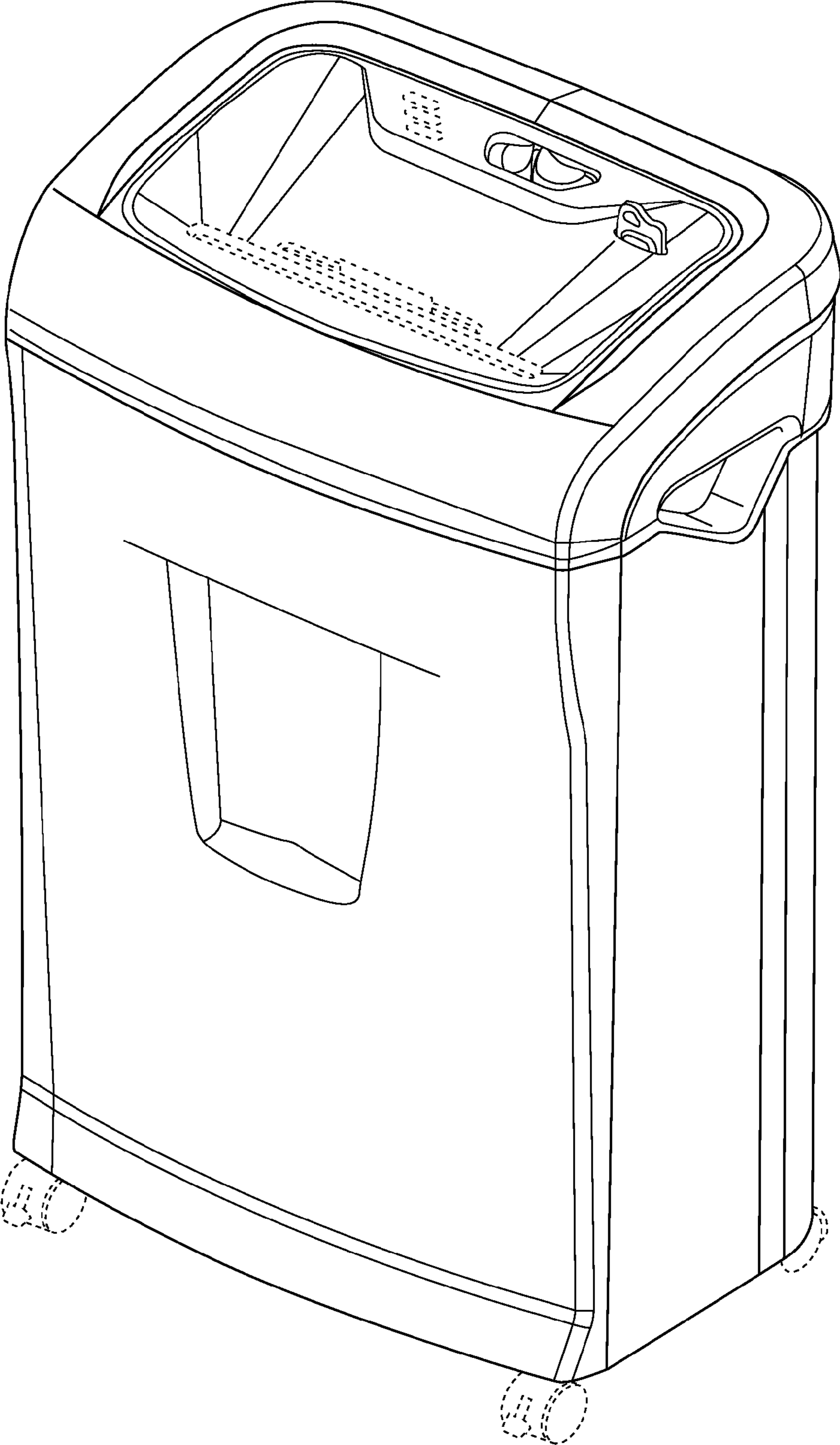


FIG. 1

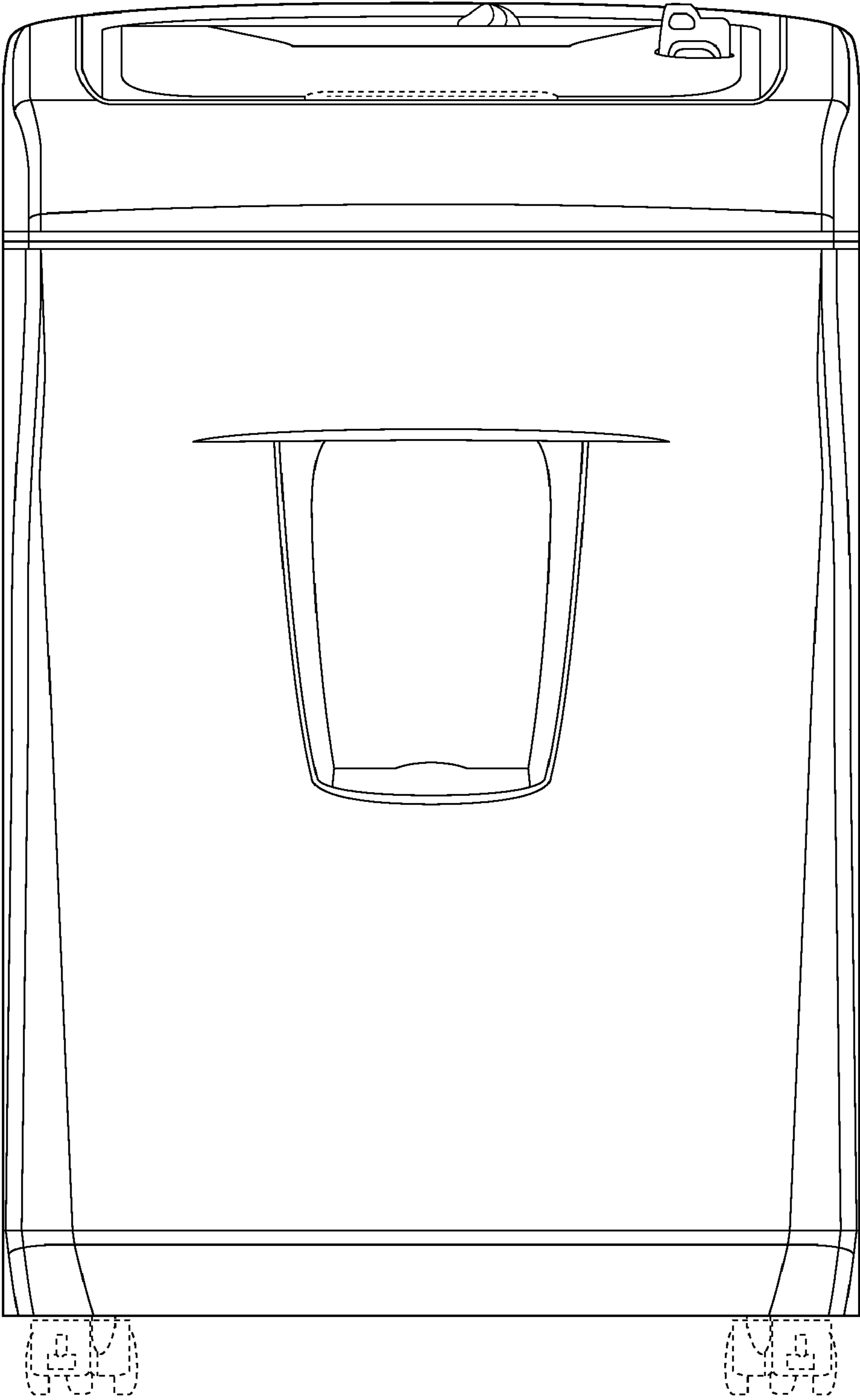


FIG. 2

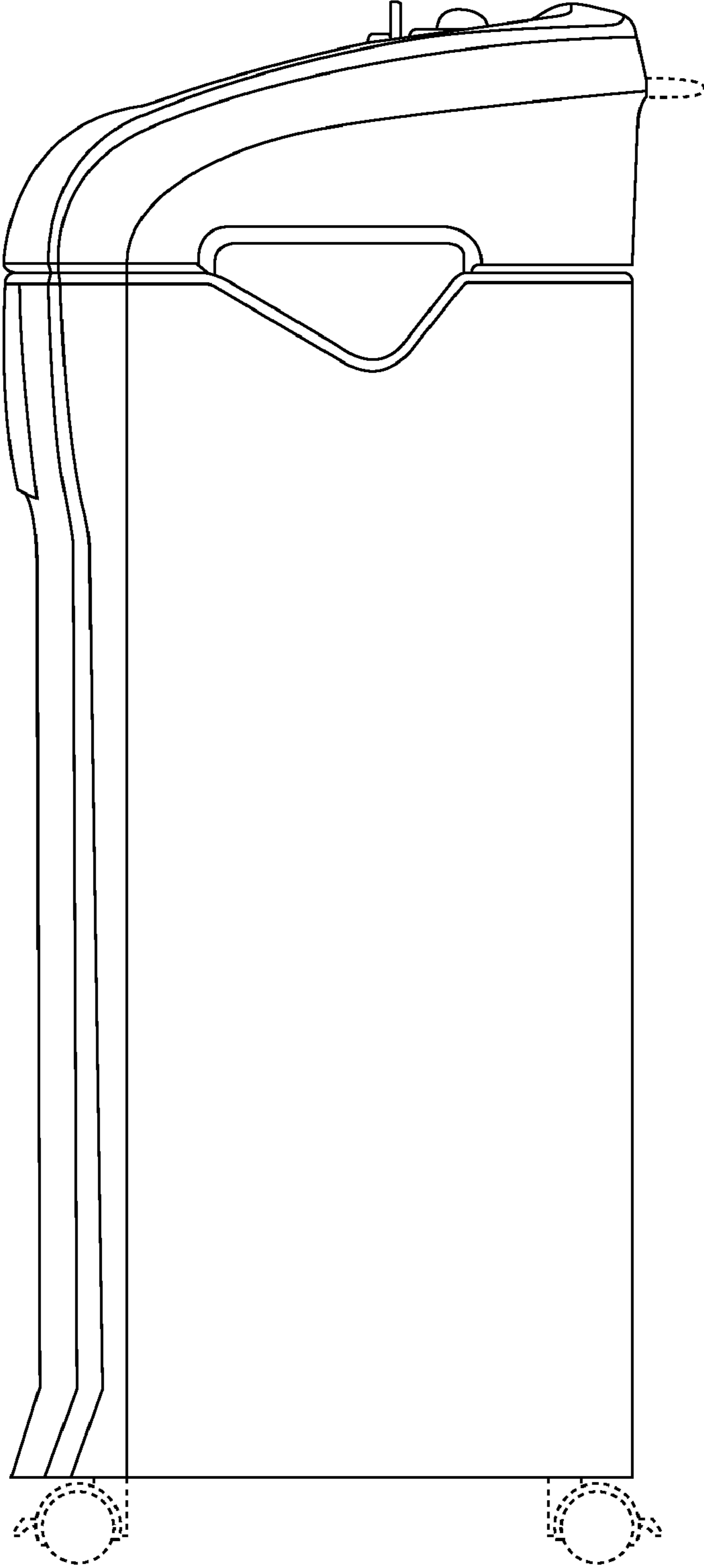


FIG. 3

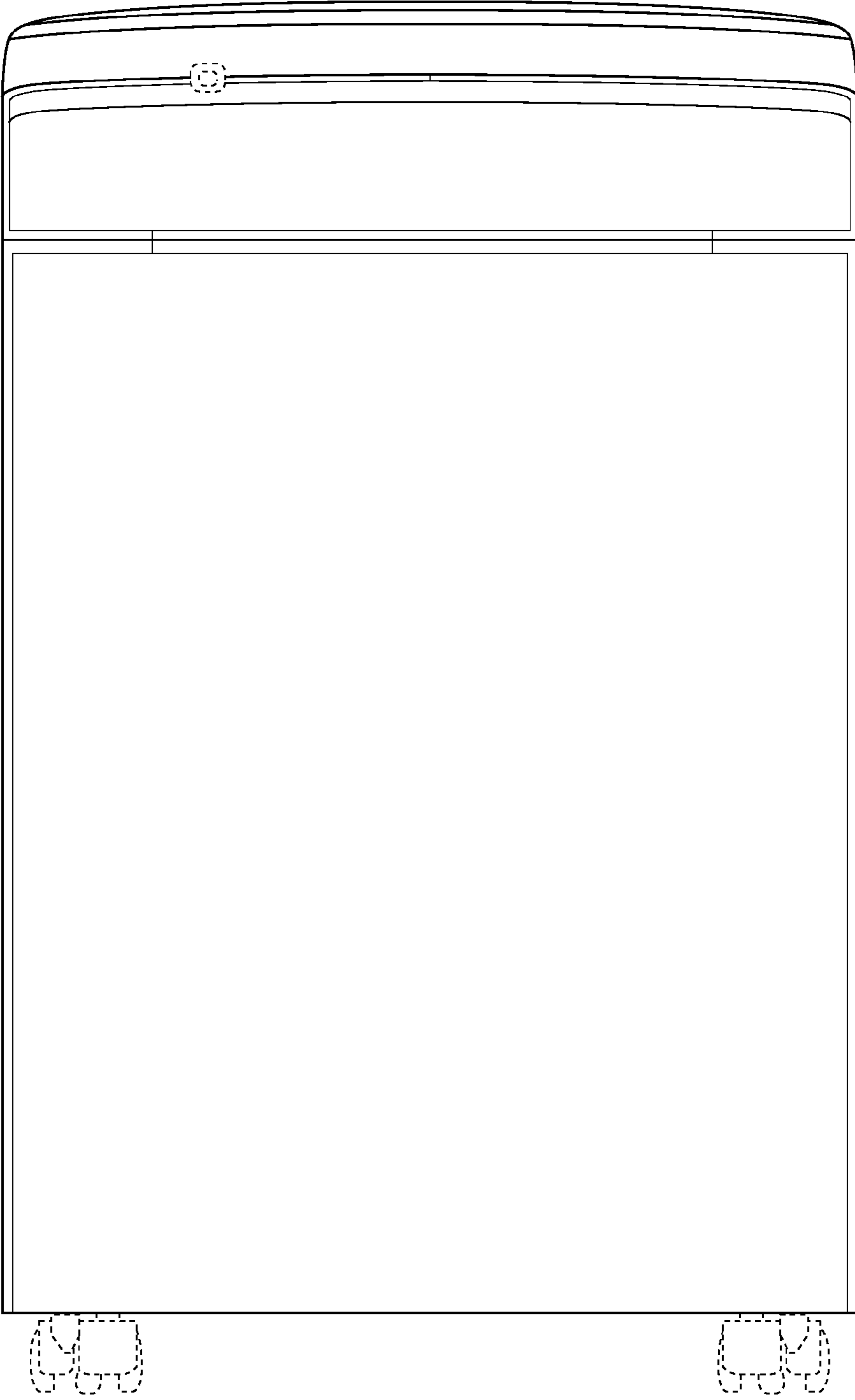


FIG. 4

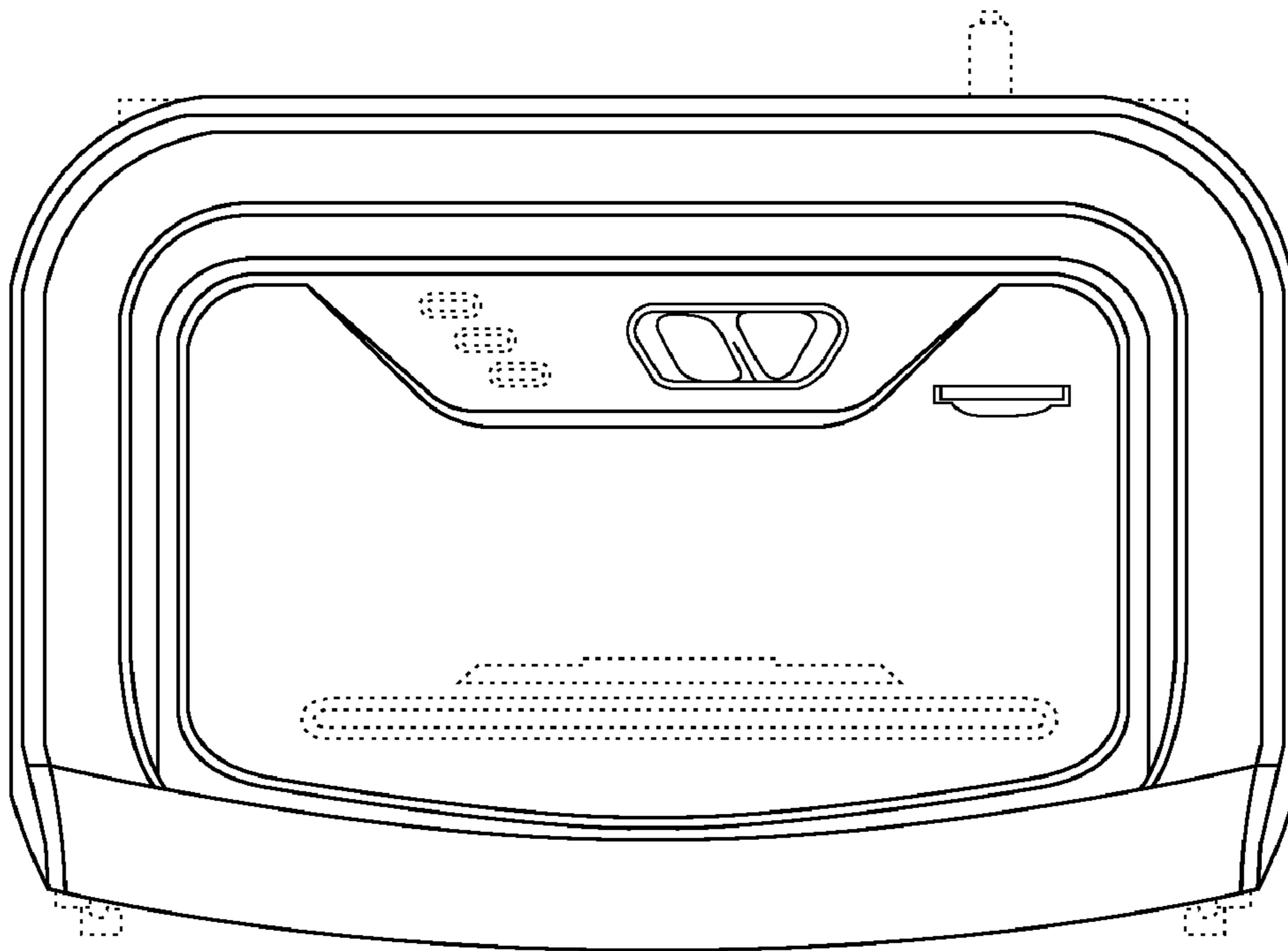


FIG. 5

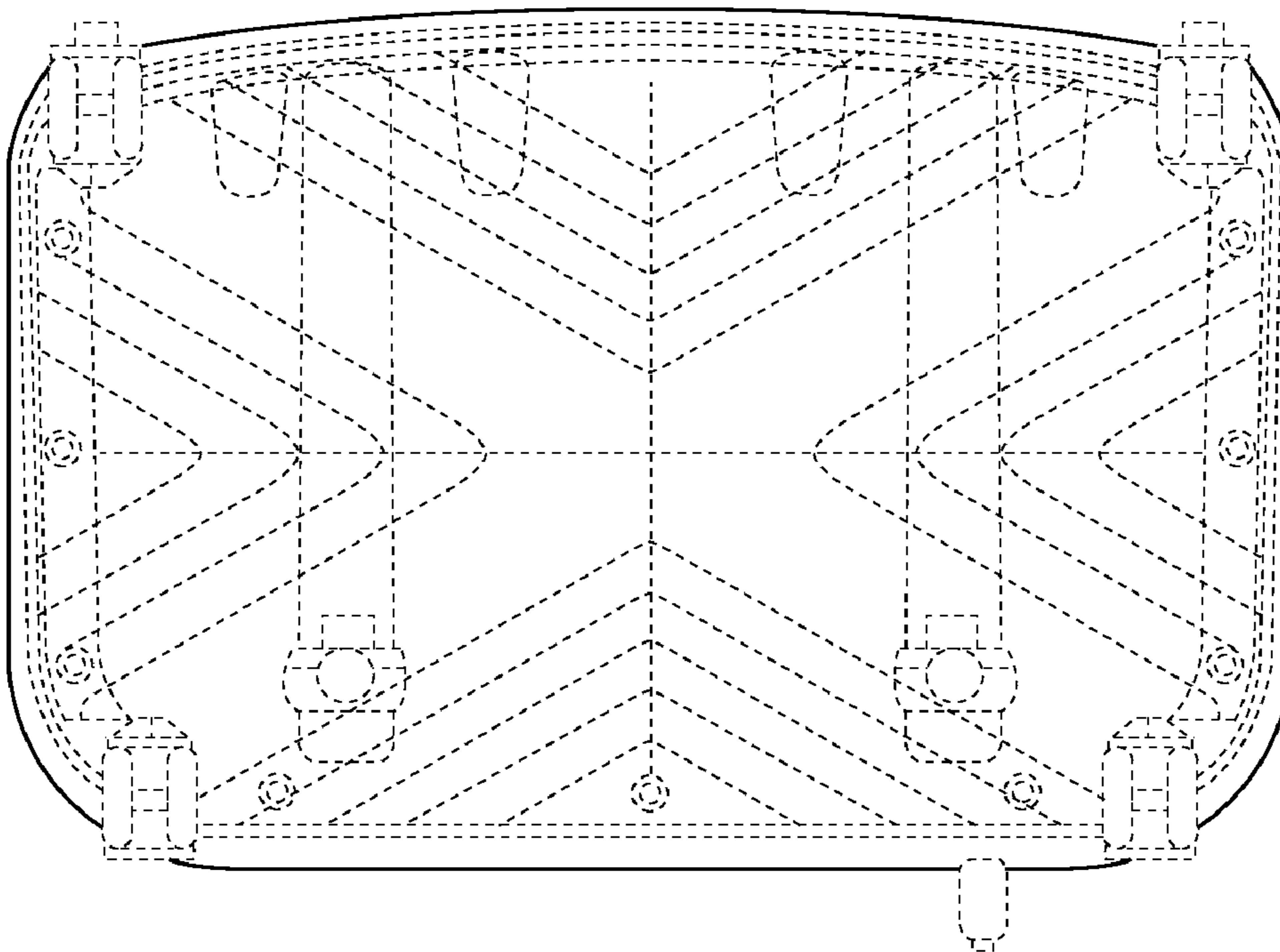


FIG. 6