

US00D660906S

(12) **United States Design Patent**
Hermann

(10) **Patent No.:** **US D660,906 S**

(45) **Date of Patent:** **** May 29, 2012**

(54) **LABELING MACHINE**

(75) Inventor: **Martin Hermann**, Hirschhorn (DE)

(73) Assignee: **K-D Hermann GmbH**
Contact-Preisauszeichnung-
Etikettiersysteme, Hirschhorn (DE)

(**) Term: **14 Years**

(21) Appl. No.: **29/399,388**

(22) Filed: **Aug. 12, 2011**

(30) **Foreign Application Priority Data**

Feb. 21, 2011 (EM) 001823741-0002

(51) **LOC (9) Cl.** **18-99**

(52) **U.S. Cl.** **D18/19**

(58) **Field of Classification Search** D18/14-21,
D18/6-7, 50, 52; D19/68; D14/347, 426;
358/1.1, 1.6, 1.8; 101/111, 288; 156/DIG. 48
See application file for complete search history.

(56) **References Cited**

U.S. PATENT DOCUMENTS

4,358,333 A * 11/1982 Holland-Letz 156/384
D268,595 S * 4/1983 Beers D18/19

D269,525 S * 6/1983 Reinke D18/19
D269,527 S * 6/1983 Becker D18/19
D272,365 S * 1/1984 Becker et al. D18/19
D272,453 S * 1/1984 Wada D18/19
D274,177 S * 6/1984 Wada D18/19
D303,808 S * 10/1989 Hermann D18/19
D315,920 S * 4/1991 Hermann D18/19
D316,105 S * 4/1991 Hermann D18/19
D607,491 S * 1/2010 Arena D18/19
D629,839 S * 12/2010 Hermann D18/19
2010/0326300 A1 * 12/2010 Hermann 101/349.1

* cited by examiner

Primary Examiner — Bridget L Eland

(74) *Attorney, Agent, or Firm* — Walter A. Hackler

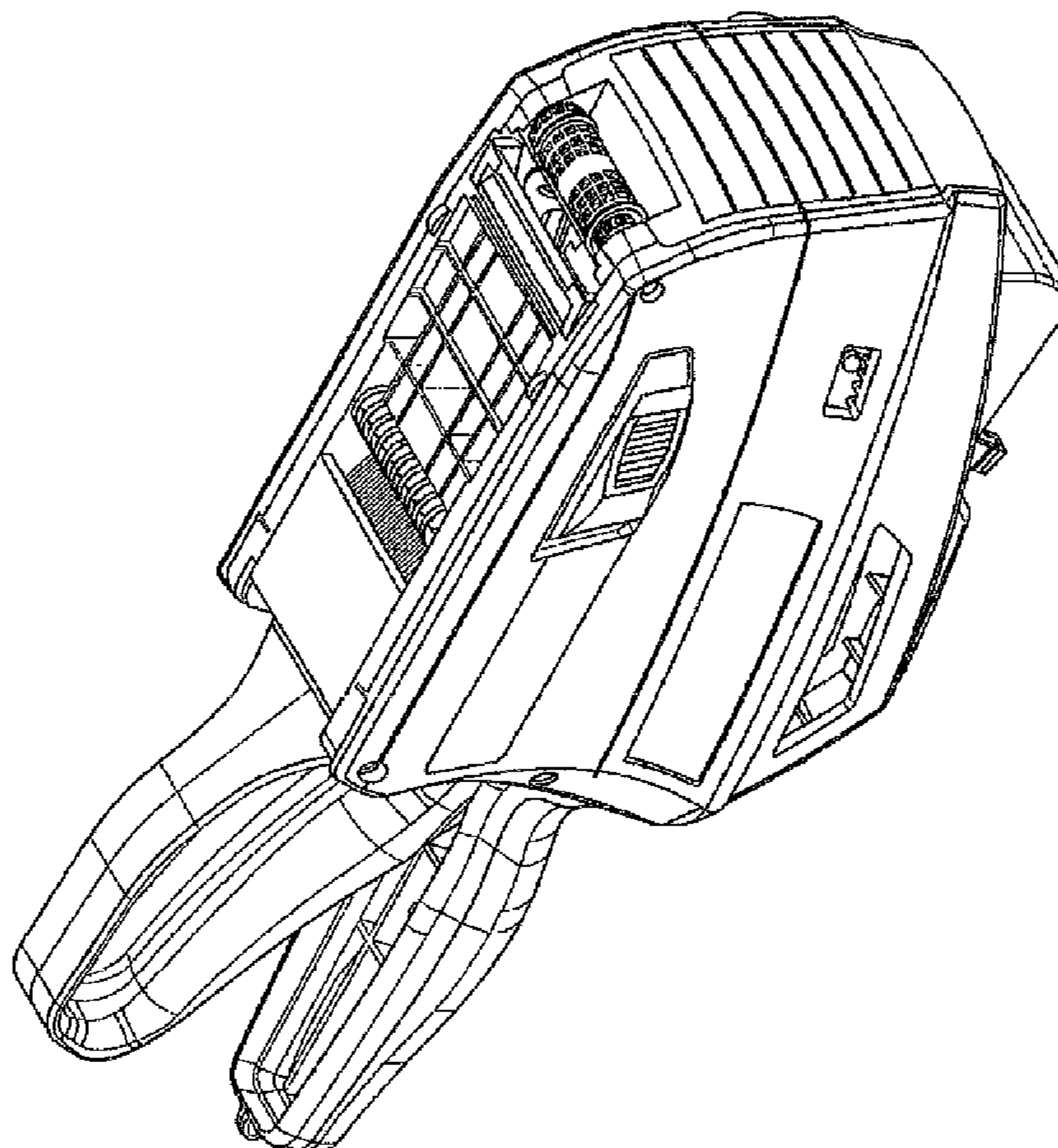
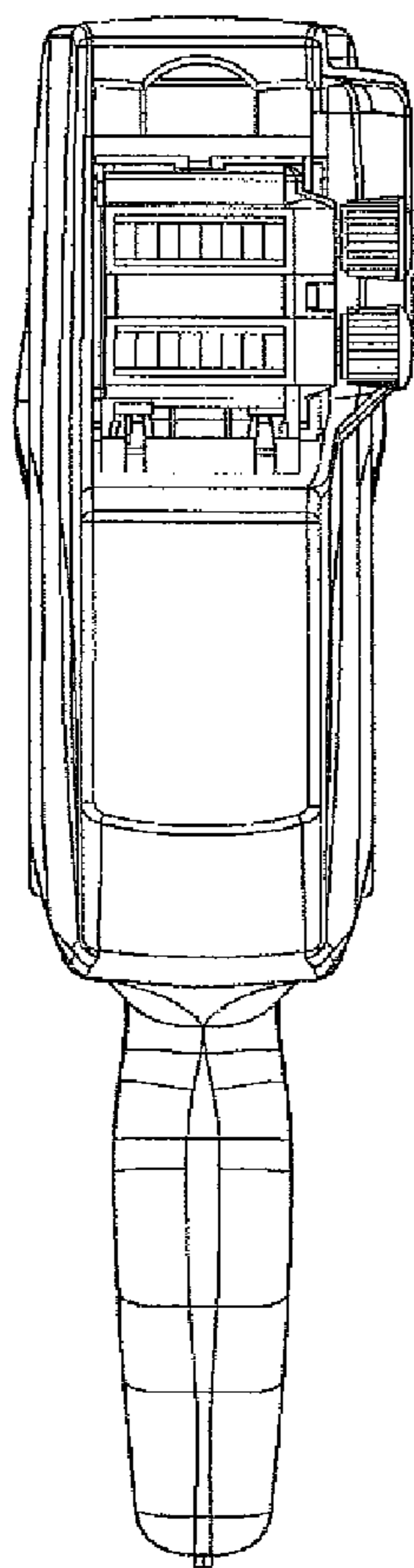
(57) **CLAIM**

The ornamental design for a labeling machine, as shown and described.

DESCRIPTION

FIG. 1 is a front, left, top perspective view of a labeling machine showing my new design;
FIG. 2 is a bottom plan view thereof;
FIG. 3 is a front, left, bottom perspective view thereof;
FIG. 4 is front, right, bottom perspective view thereof;
FIG. 5 is a top, right, rear perspective view thereof;
FIG. 6 is a top plan view thereof; and,
FIG. 7 is a bottom, right, rear perspective view thereof.

1 Claim, 7 Drawing Sheets



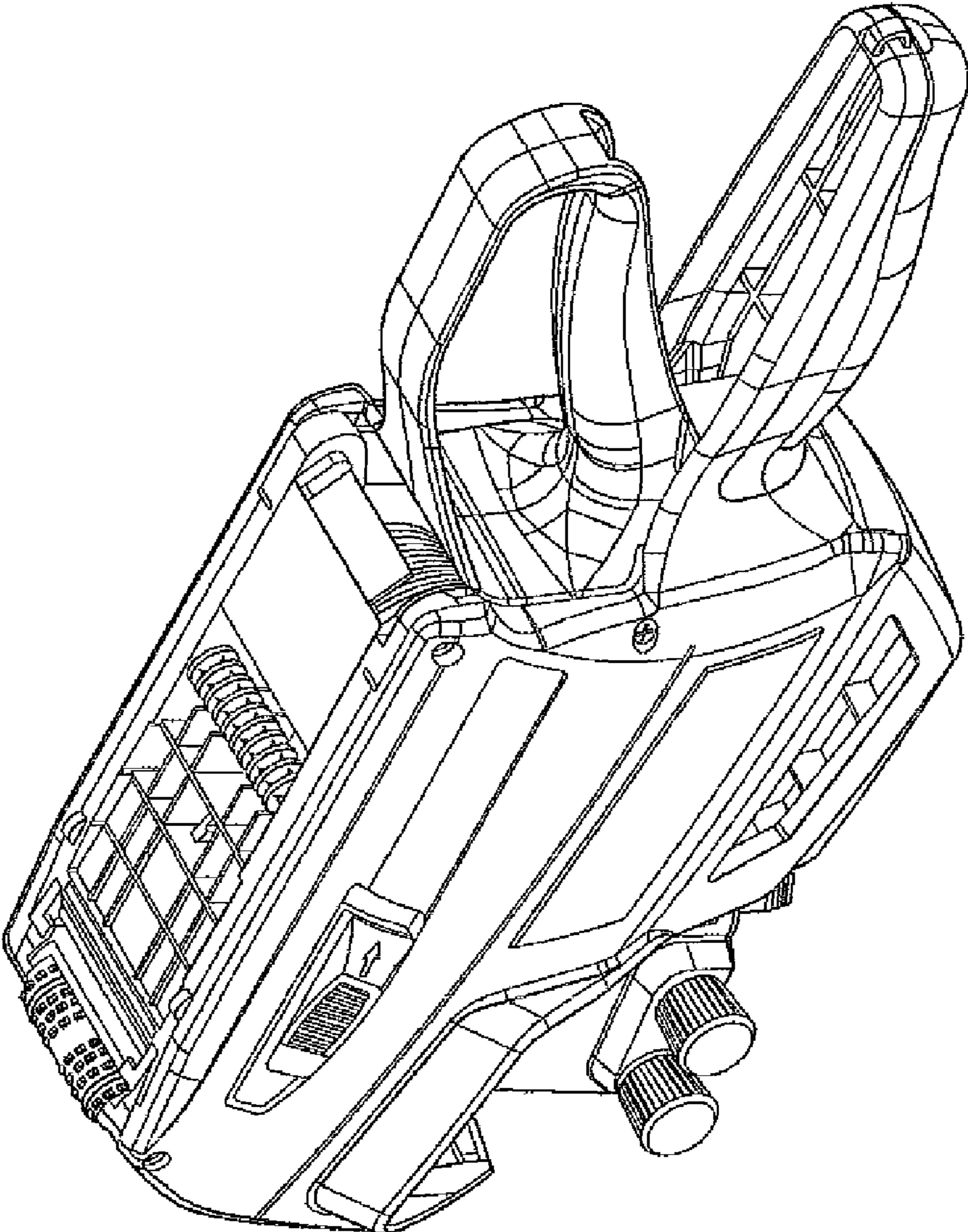


FIG. 1

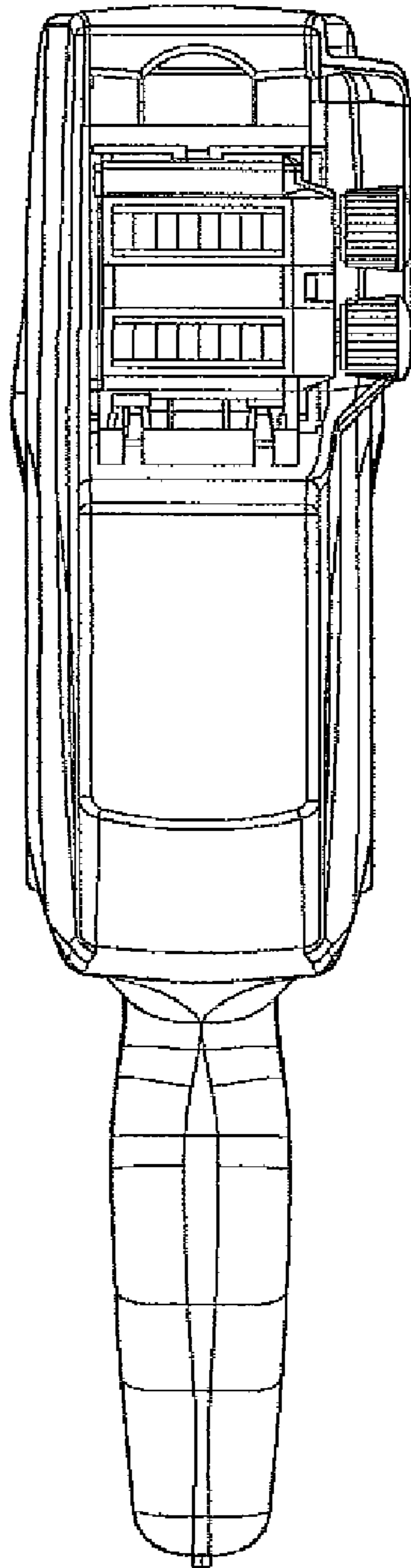


FIG. 2

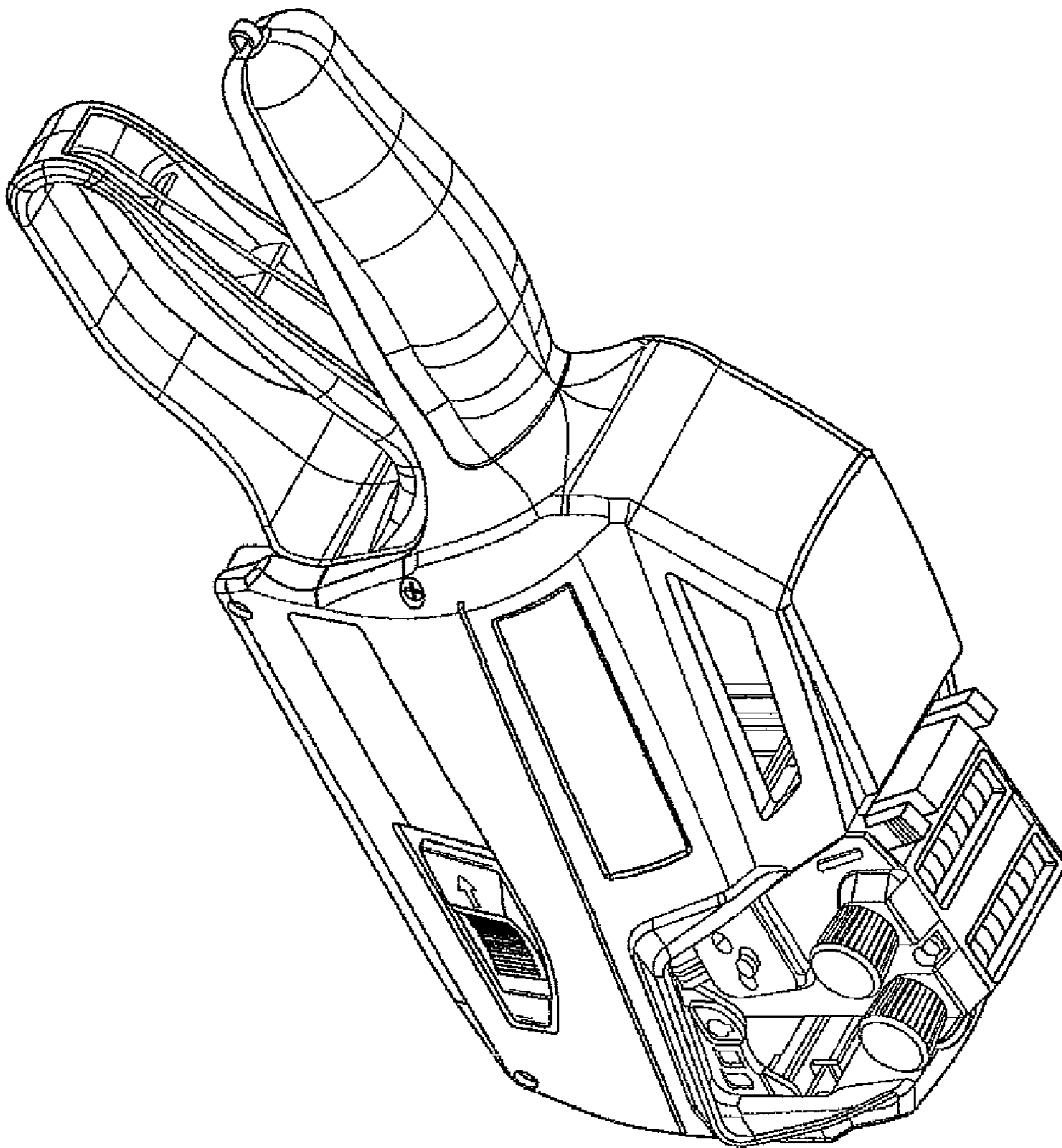


FIG. 3

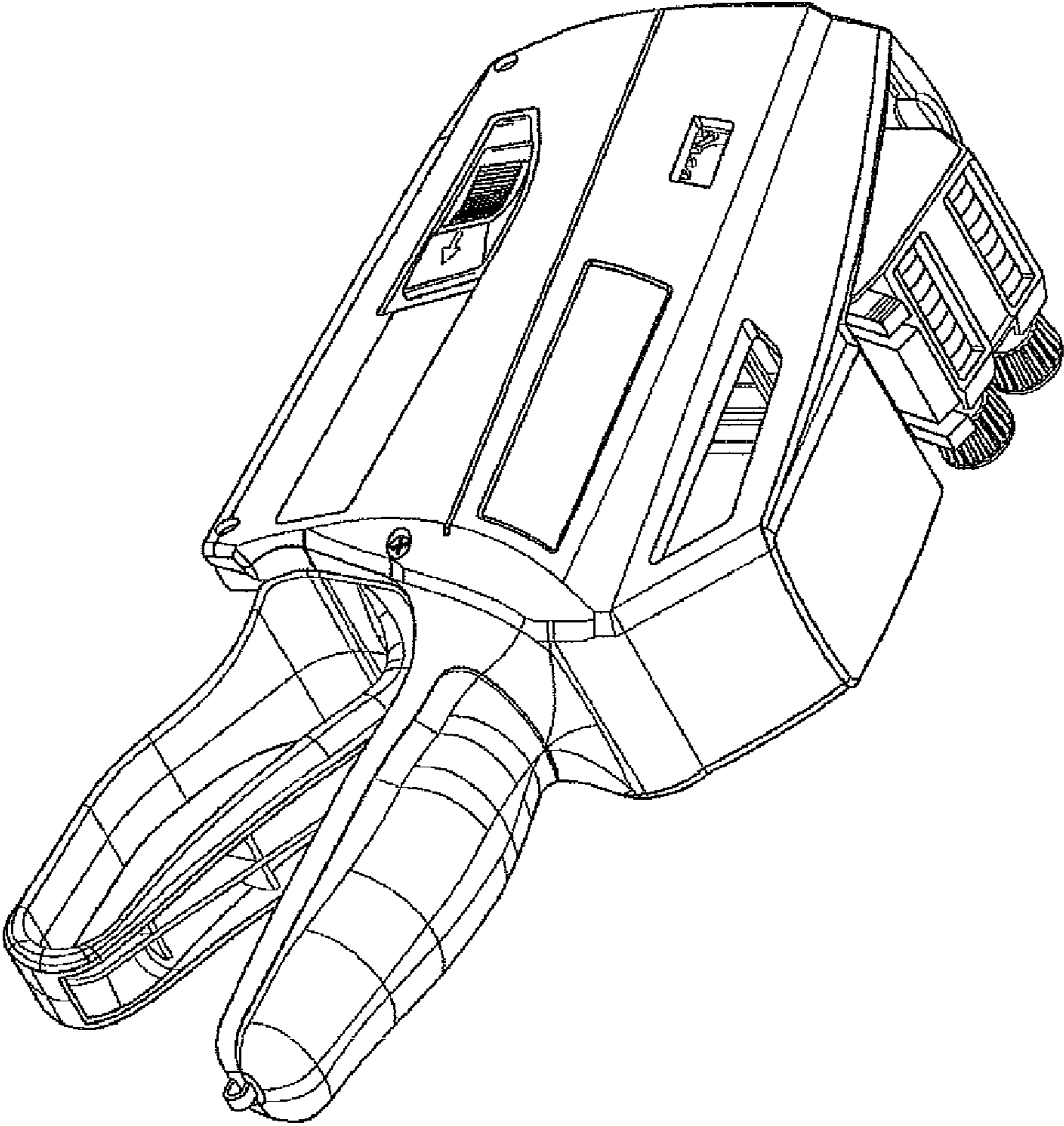


FIG. 4

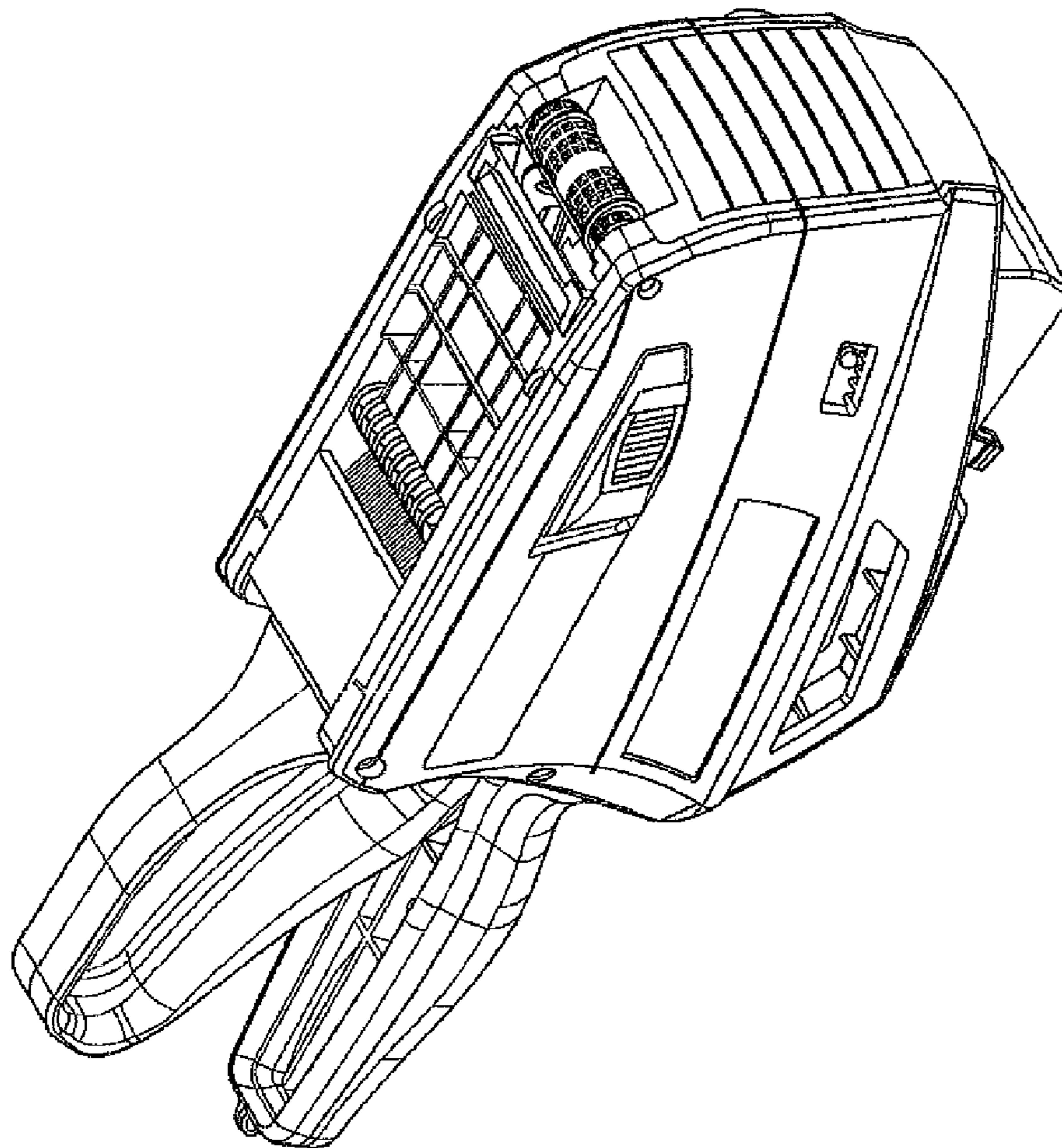


FIG. 5

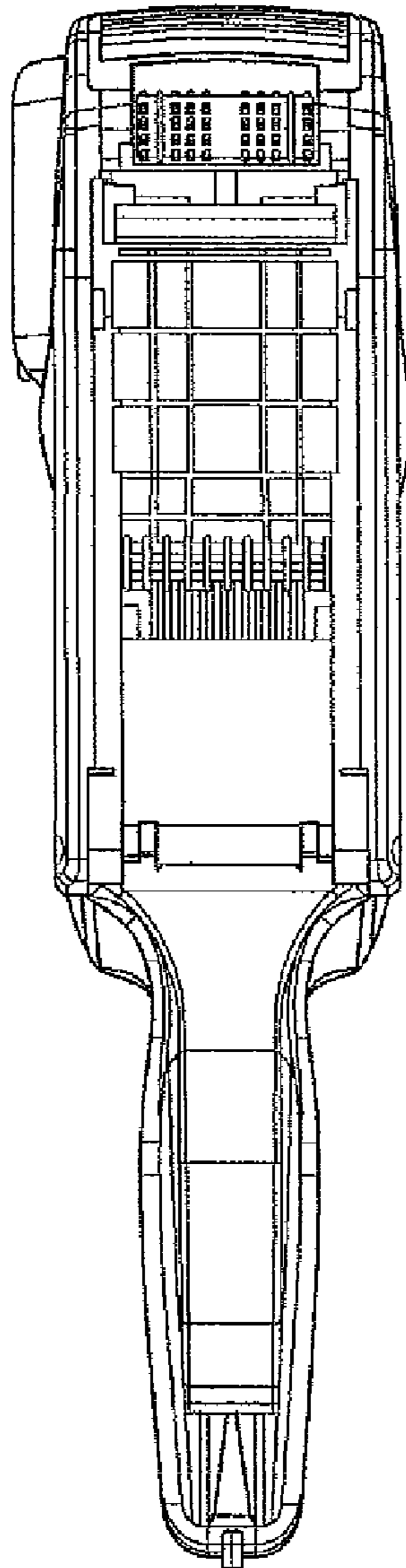


FIG. 6

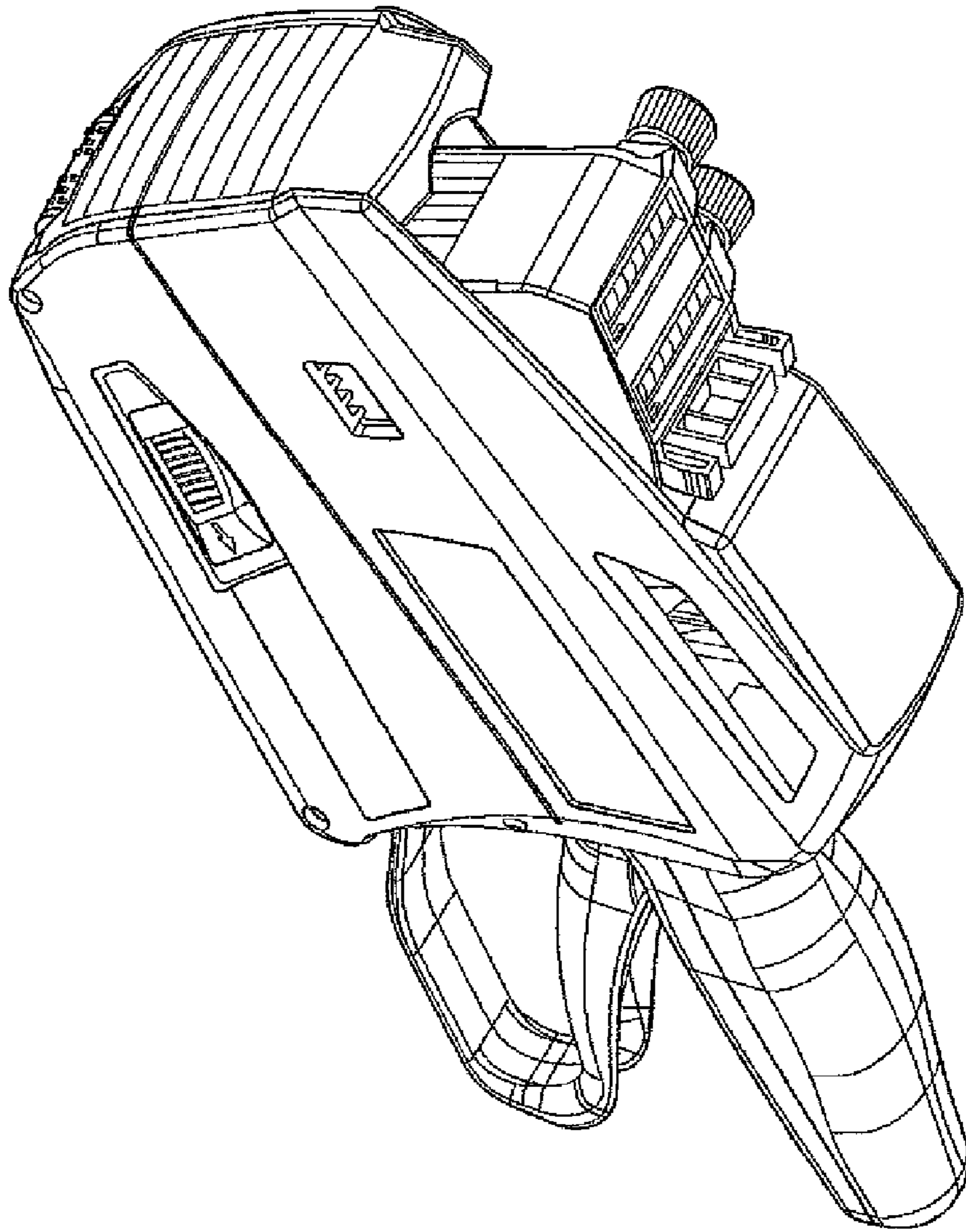


FIG. 7