

US00D660901S

(12) **United States Design Patent**  
**Inoue et al.**

(10) **Patent No.:** **US D660,901 S**  
(45) **Date of Patent:** **\*\* May 29, 2012**

(54) **PROJECTOR**

(75) Inventors: **Saeko Inoue**, Matsumoto (JP); **Tetsu Nakayama**, Matsumoto (JP); **Kiyomasa Shirakura**, Matsumoto (JP); **Shigeyuki Seki**, Suwa (JP)

(73) Assignee: **Seiko Epson Corporation**, Tokyo (JP)

(\*\*) Term: **14 Years**

(21) Appl. No.: **29/403,586**

(22) Filed: **Oct. 7, 2011**

(30) **Foreign Application Priority Data**

Jun. 1, 2011 (JP) ..... 2011-012451

(51) **LOC (9) Cl.** ..... **16-02**

(52) **U.S. Cl.** ..... **D16/230; D16/225**

(58) **Field of Classification Search** ..... D16/208,  
D16/221, 225, 230-231, 234; D21/514;  
353/115, 119, 122

See application file for complete search history.

(56) **References Cited**

U.S. PATENT DOCUMENTS

D442,983	S	*	5/2001	Goto et al.	.....	D16/230
D557,318	S	*	12/2007	Nishimura et al.	.....	D16/230
D588,620	S	*	3/2009	Kawabe et al.	.....	D16/230
D602,061	S	*	10/2009	Tatara et al.	.....	D16/230
7,997,741	B2	*	8/2011	Nakamura et al.	.....	353/119
D647,121	S	*	10/2011	Kawabe et al.	.....	D16/230

\* cited by examiner

*Primary Examiner* — Wan Laymon

(74) *Attorney, Agent, or Firm* — Oliff & Berridge, PLC

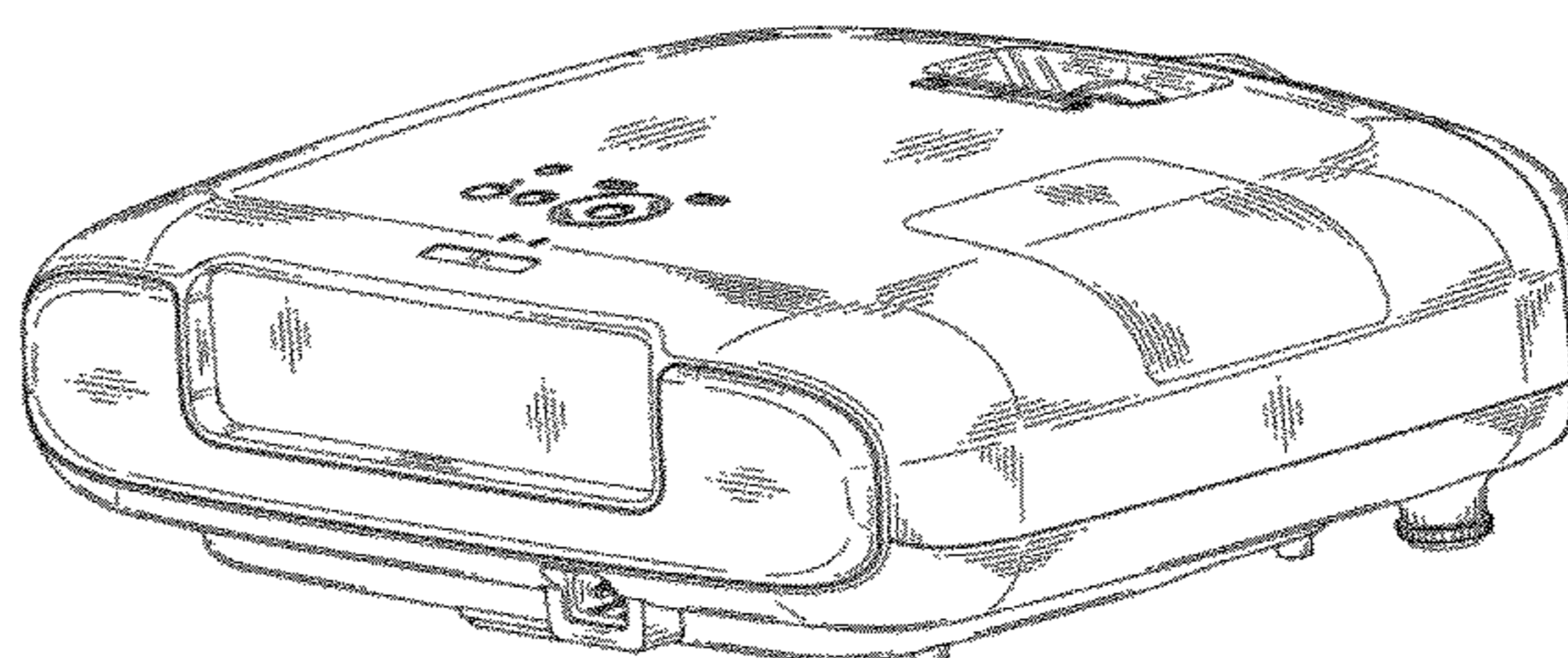
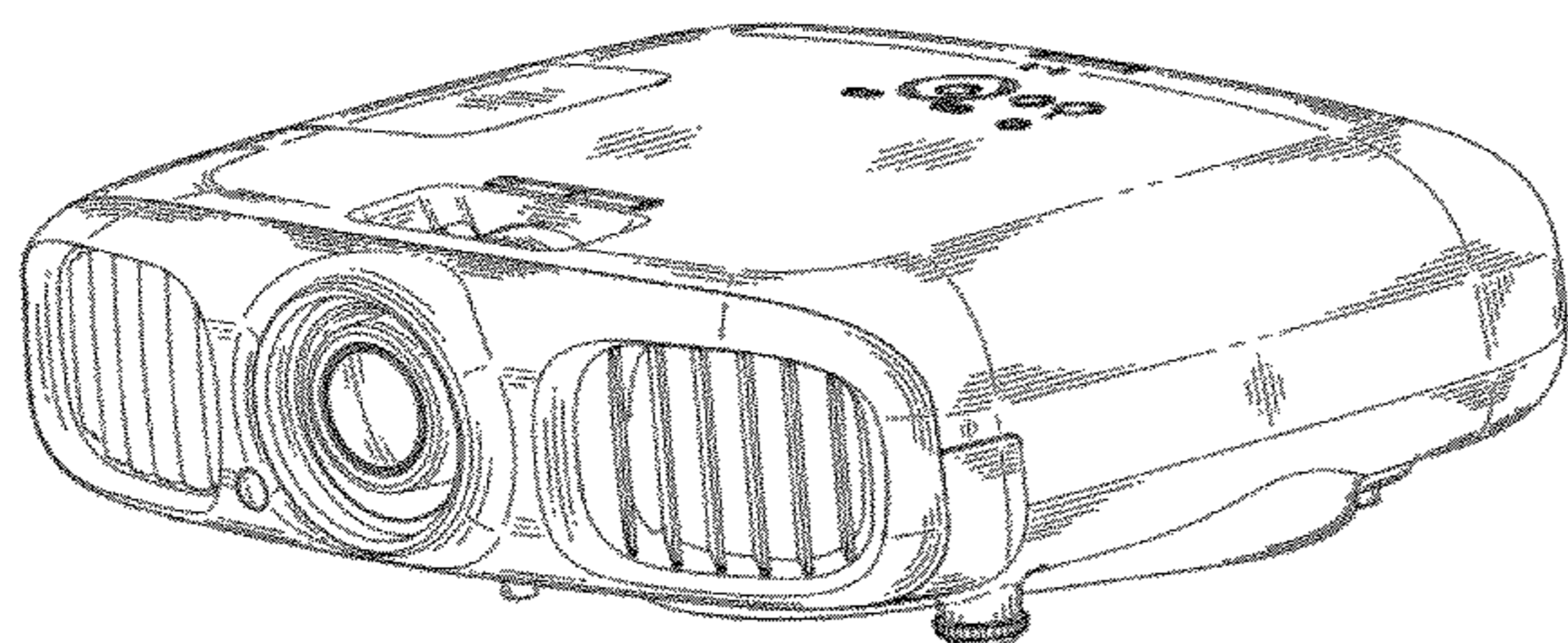
(57) **CLAIM**

The ornamental design for a projector, as shown and described.

**DESCRIPTION**

FIG. 1 is a top, front, right-side perspective view of a projector;  
FIG. 2 is a top, rear, left-side perspective view thereof;  
FIG. 3 is a front view thereof;  
FIG. 4 is a rear view thereof;  
FIG. 5 is a left-side view thereof;  
FIG. 6 is a right-side view thereof;  
FIG. 7 is a top view thereof; and,  
FIG. 8 is a bottom view thereof.

**1 Claim, 4 Drawing Sheets**



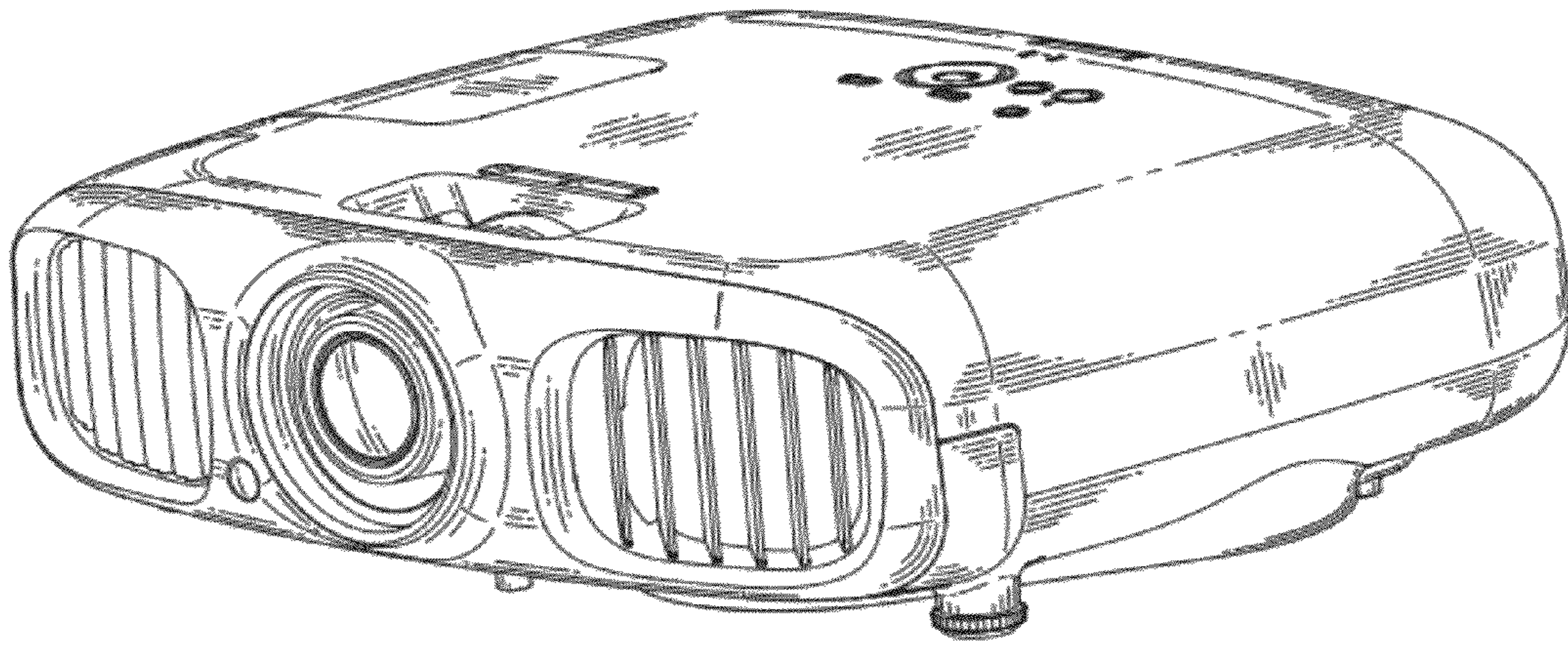


FIG. 1

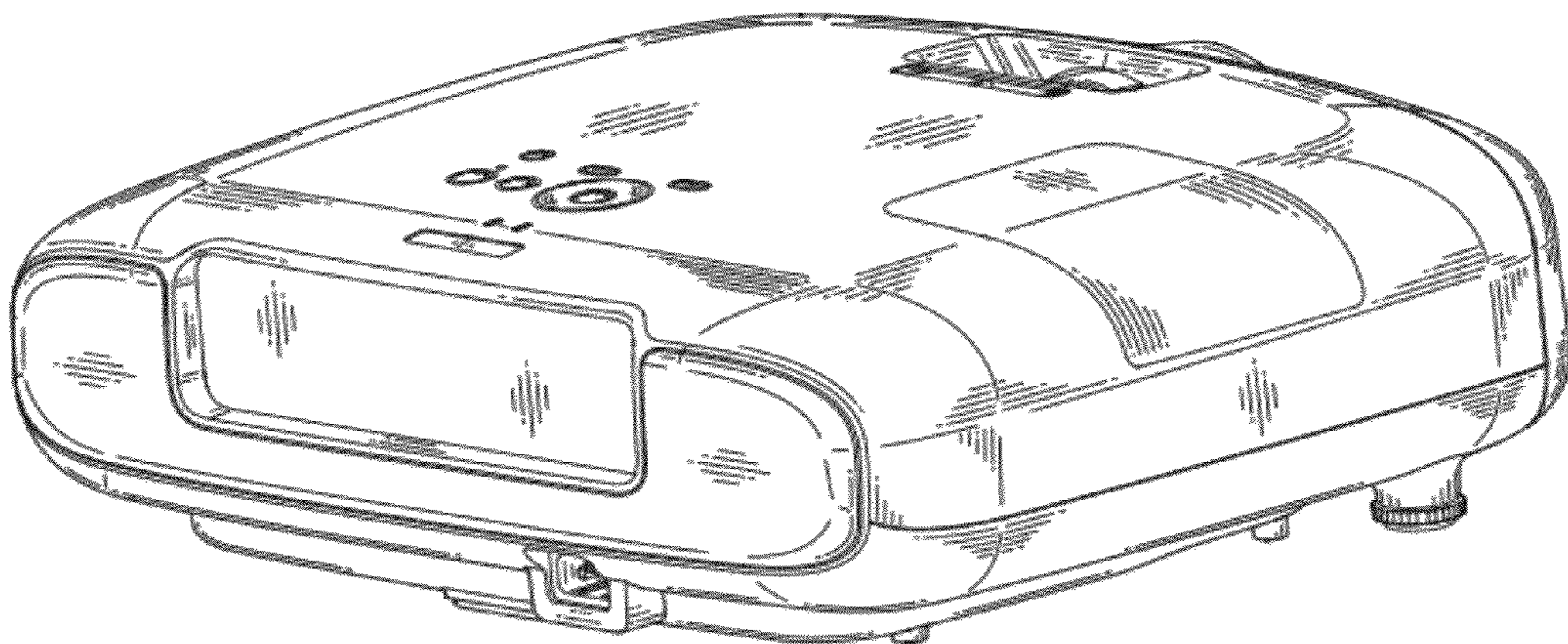


FIG. 2

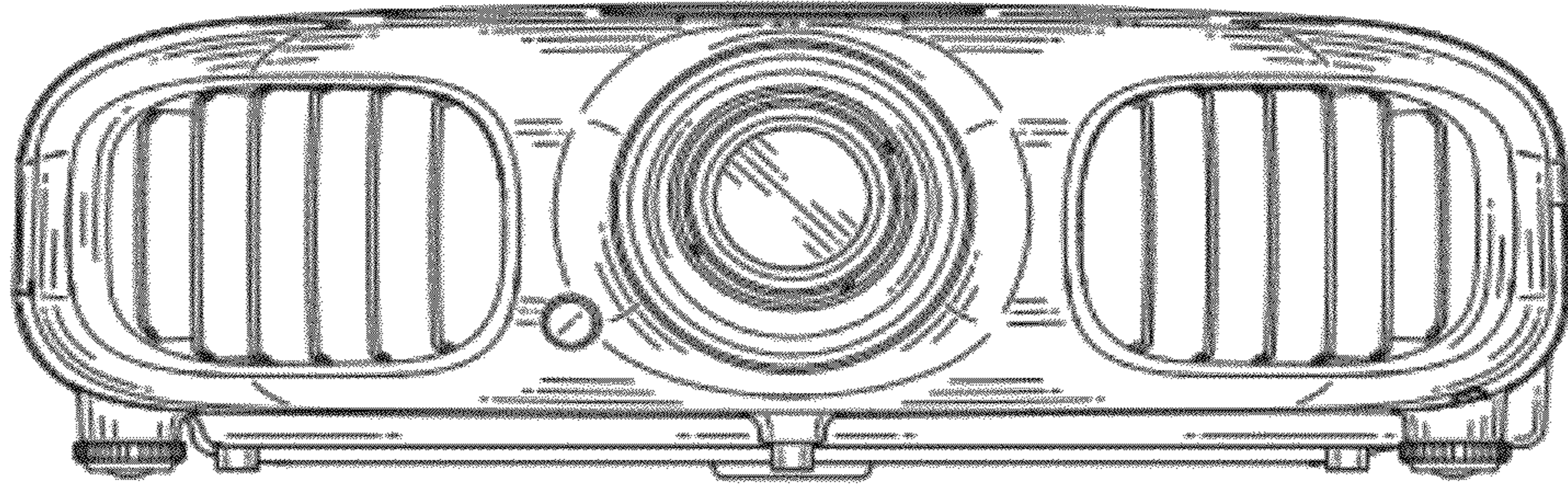


FIG. 3

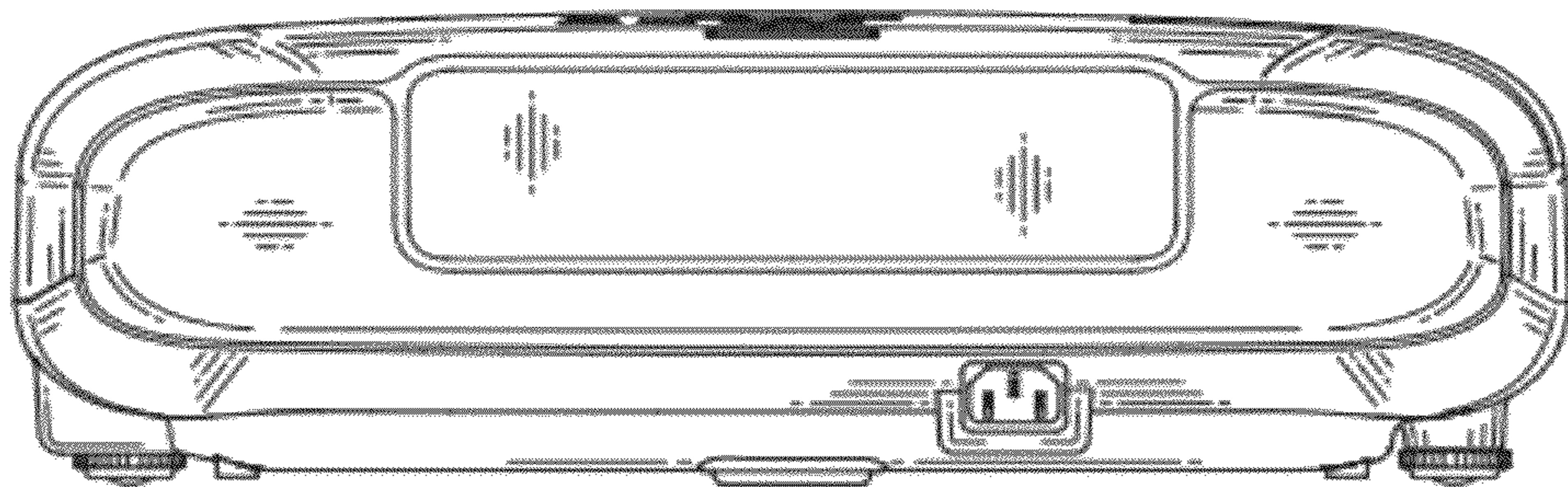


FIG. 4

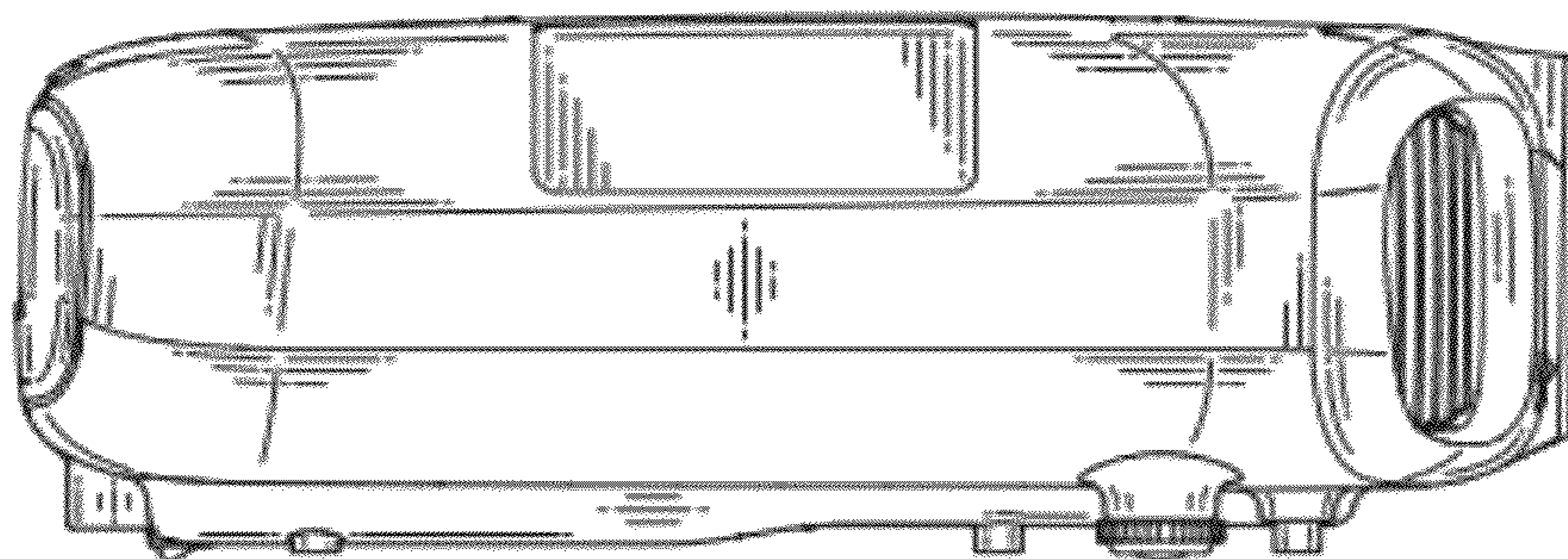


FIG. 5

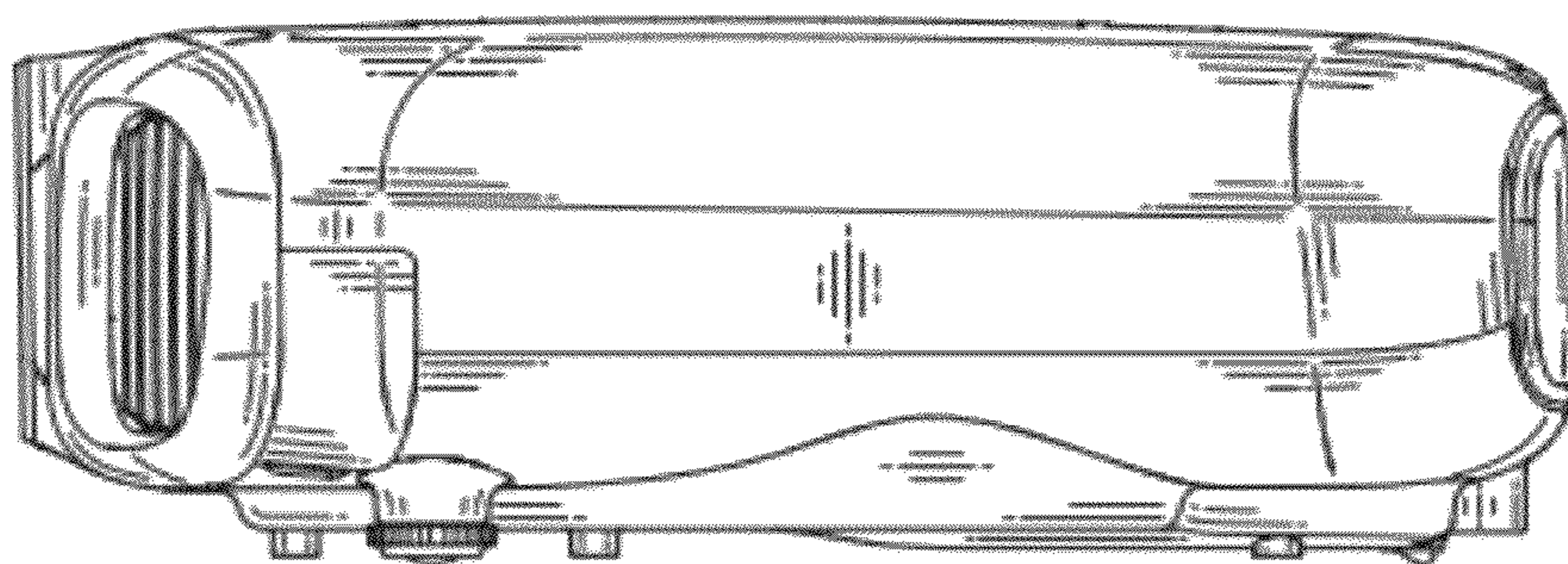


FIG. 6

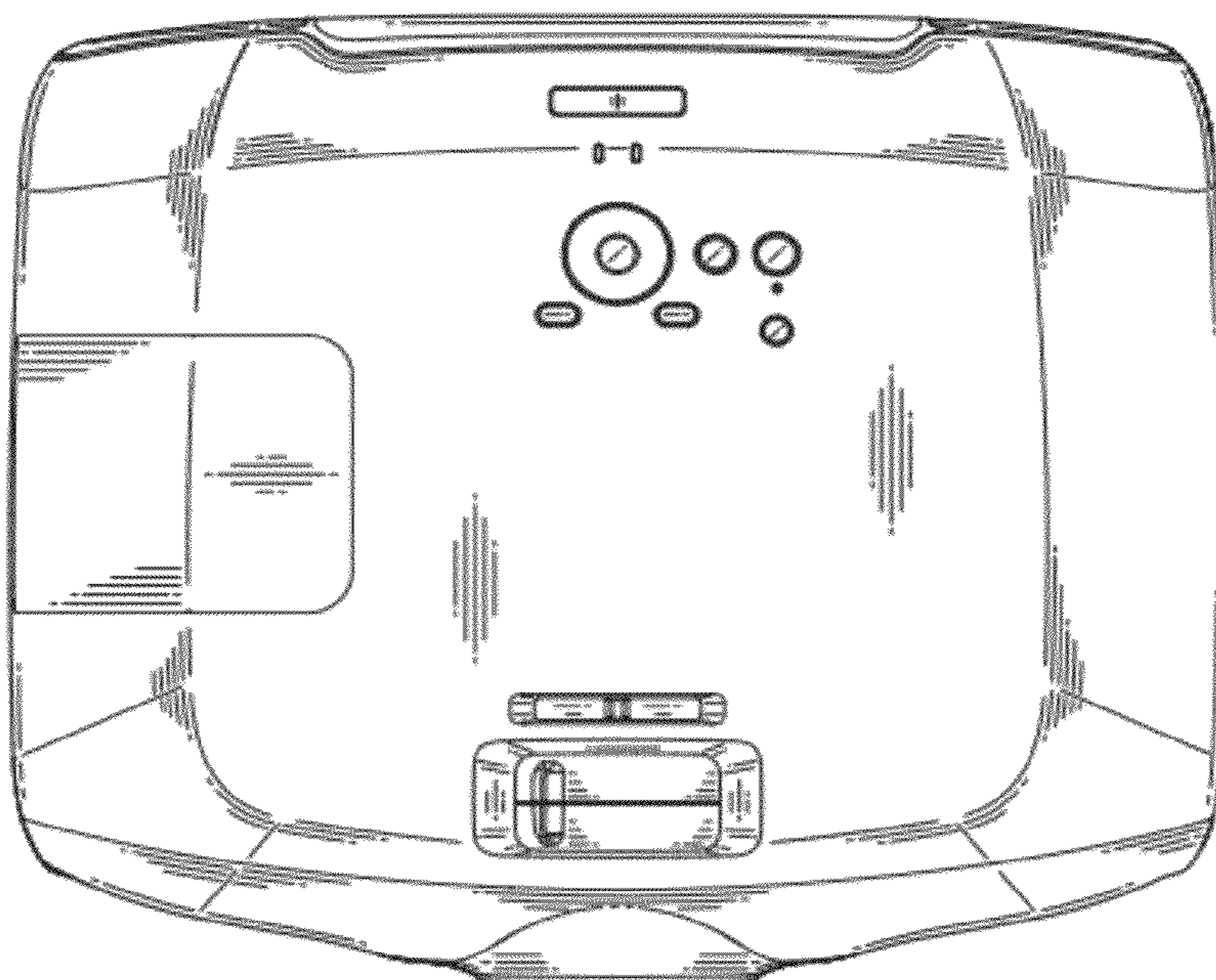


FIG. 7

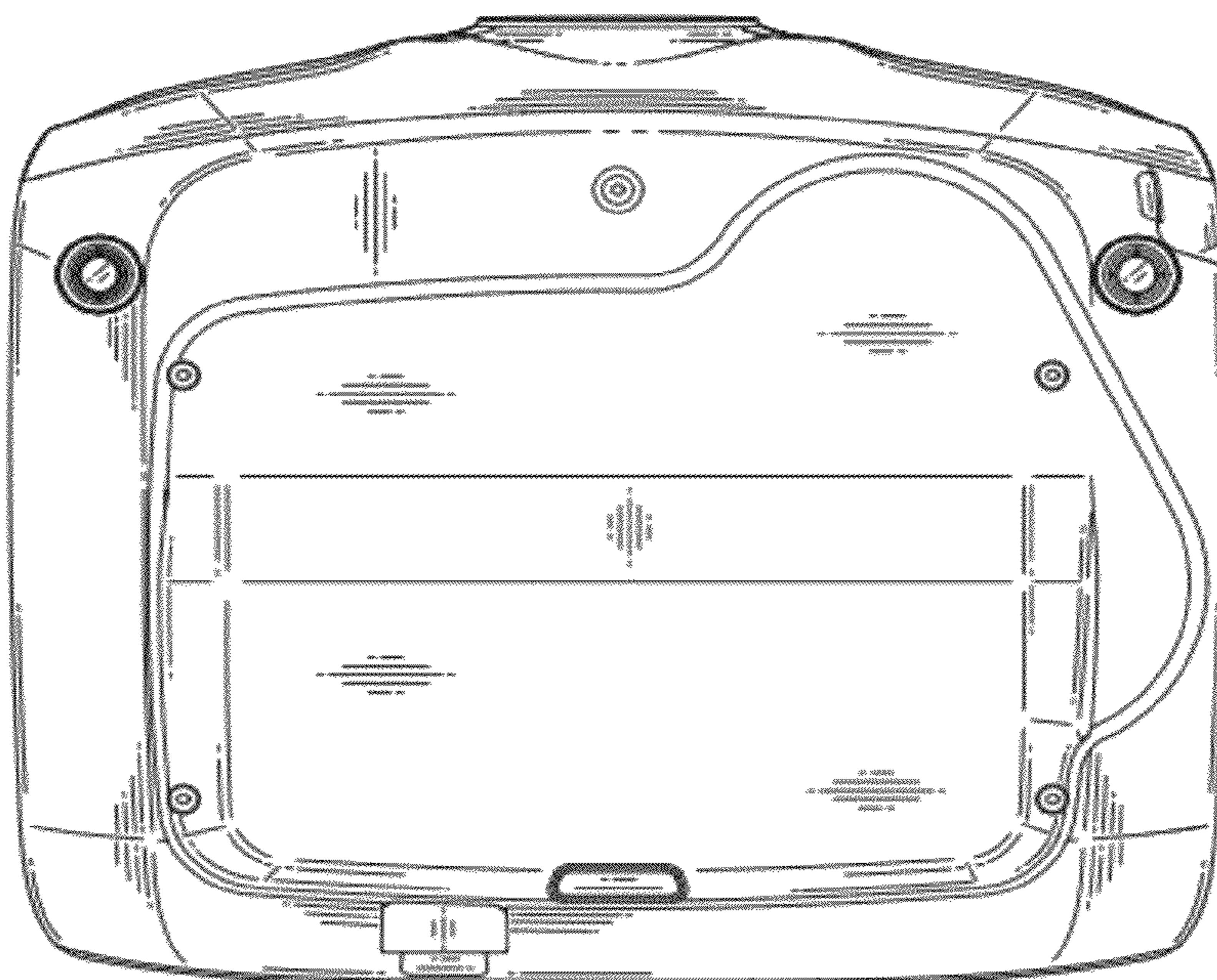


FIG. 8