



US00D660899S

(12) **United States Design Patent**
Bright et al.

(10) **Patent No.:** **US D660,899 S**

(45) **Date of Patent:** **** May 29, 2012**

(54) **CAMERA**

(75) Inventors: **Gregory Scott Bright**, Seattle, WA (US); **Joshua Robert Buessler**, Seattle, WA (US); **David Redwood Stephens**, Seattle, WA (US); **Benjamin Raymond Watkins**, Seattle, WA (US)

(73) Assignee: **Cernium Corporation**, Reston, VA (US)

(**) Term: **14 Years**

(21) Appl. No.: **29/350,016**

(22) Filed: **Nov. 10, 2009**

(51) **LOC (9) Cl.** **16-01**

(52) **U.S. Cl.** **D16/218**

(58) **Field of Classification Search** D16/200–204, D16/208, 218; 348/373–376; 396/535–541
See application file for complete search history.

(56) **References Cited**

U.S. PATENT DOCUMENTS

D423,491	S	*	4/2000	Harris et al.	D14/130
6,842,193	B2	*	1/2005	Shimose	348/373
D534,938	S	*	1/2007	Beasley et al.	D16/202
D544,515	S		6/2007	Walter et al.		
D552,650	S		10/2007	Yamakawa et al.		
D562,870	S		2/2008	Komatsu et al.		
D565,070	S		3/2008	Kim et al.		
D579,474	S		10/2008	Yoo et al.		
7,450,172	B2	*	11/2008	Lee et al.	348/373
D603,440	S		11/2009	Alm et al.		
D606,105	S		12/2009	Hinkel		
D606,571	S		12/2009	Delacroix		
D607,033	S		12/2009	Arbuckle et al.		
7,636,121	B2	*	12/2009	Matsumoto et al.	348/376
D608,811	S		1/2010	Frank et al.		
D609,727	S		2/2010	Adolfsson et al.		
D613,783	S		4/2010	Hansen et al.		

D614,222	S		4/2010	Yamakawa		
D618,264	S	*	6/2010	Chang et al.	D16/218
D618,265	S	*	6/2010	Wozniak	D16/202
D621,434	S		8/2010	Sheppard et al.		
D624,106	S		9/2010	Cho et al.		
D629,439	S		12/2010	Yoshida		
D629,770	S		12/2010	Messner		
D629,823	S		12/2010	Tanifuji et al.		
7,859,591	B2	*	12/2010	Tanaka et al.	348/373
D630,665	S		1/2011	Yamakawa		
D631,497	S		1/2011	Han et al.		
D636,006	S	*	4/2011	Champ	D16/202
D641,771	S	*	7/2011	Sasaki et al.	D16/202

* cited by examiner

Primary Examiner — Adir Aronovich

(74) *Attorney, Agent, or Firm* — Cooley LLP

(57) **CLAIM**

The ornamental design for a camera, as shown and described.

DESCRIPTION

FIG. 1 is a front and left side perspective view of a camera showing our new design;

FIG. 2 is a front elevational view of the camera illustrated in FIG. 1;

FIG. 3 is a rear elevational view of the camera illustrated in FIG. 1;

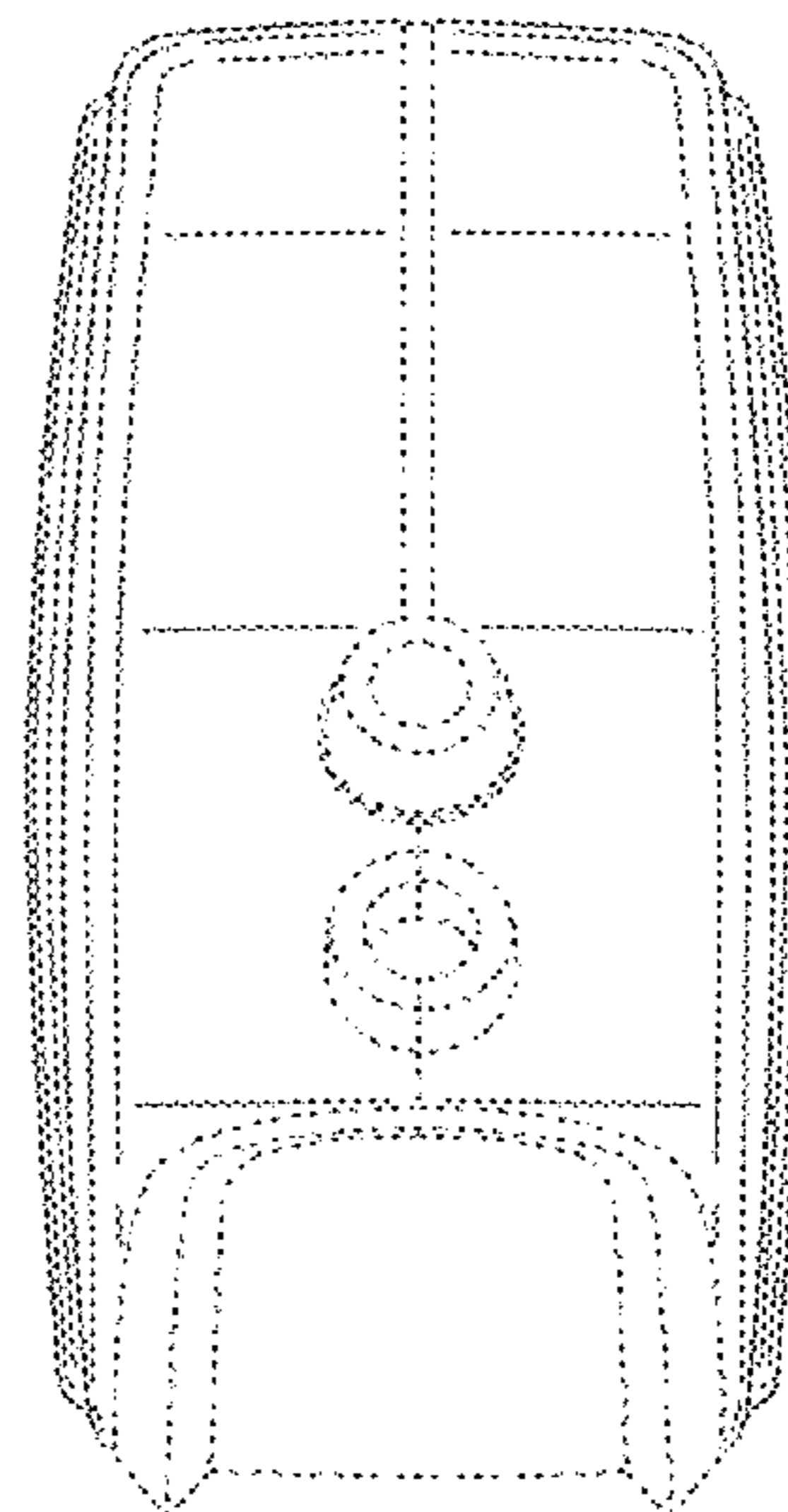
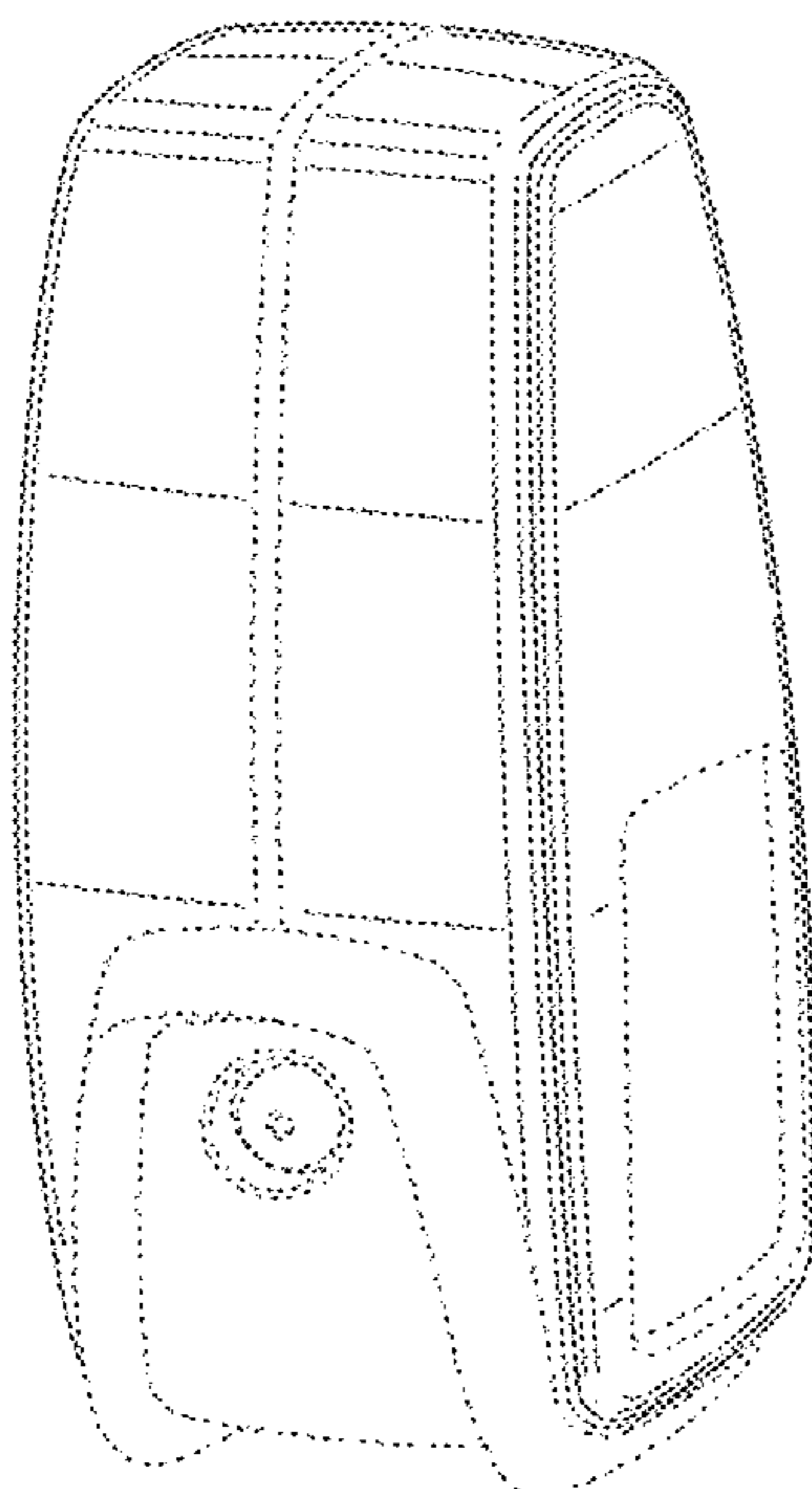
FIG. 4 is a left side elevational view of the camera illustrated in FIG. 1, the right side view being a mirror image of the left side view;

FIG. 5 is a top plan view of the camera illustrated in FIG. 1; and,

FIG. 6 is a bottom plan view of the camera illustrated in FIG. 1.

The portion of the article depicted in broken lines is for illustrative purposes only and forms no part of the claimed design. The thin solid lines illustrate contour.

1 Claim, 6 Drawing Sheets



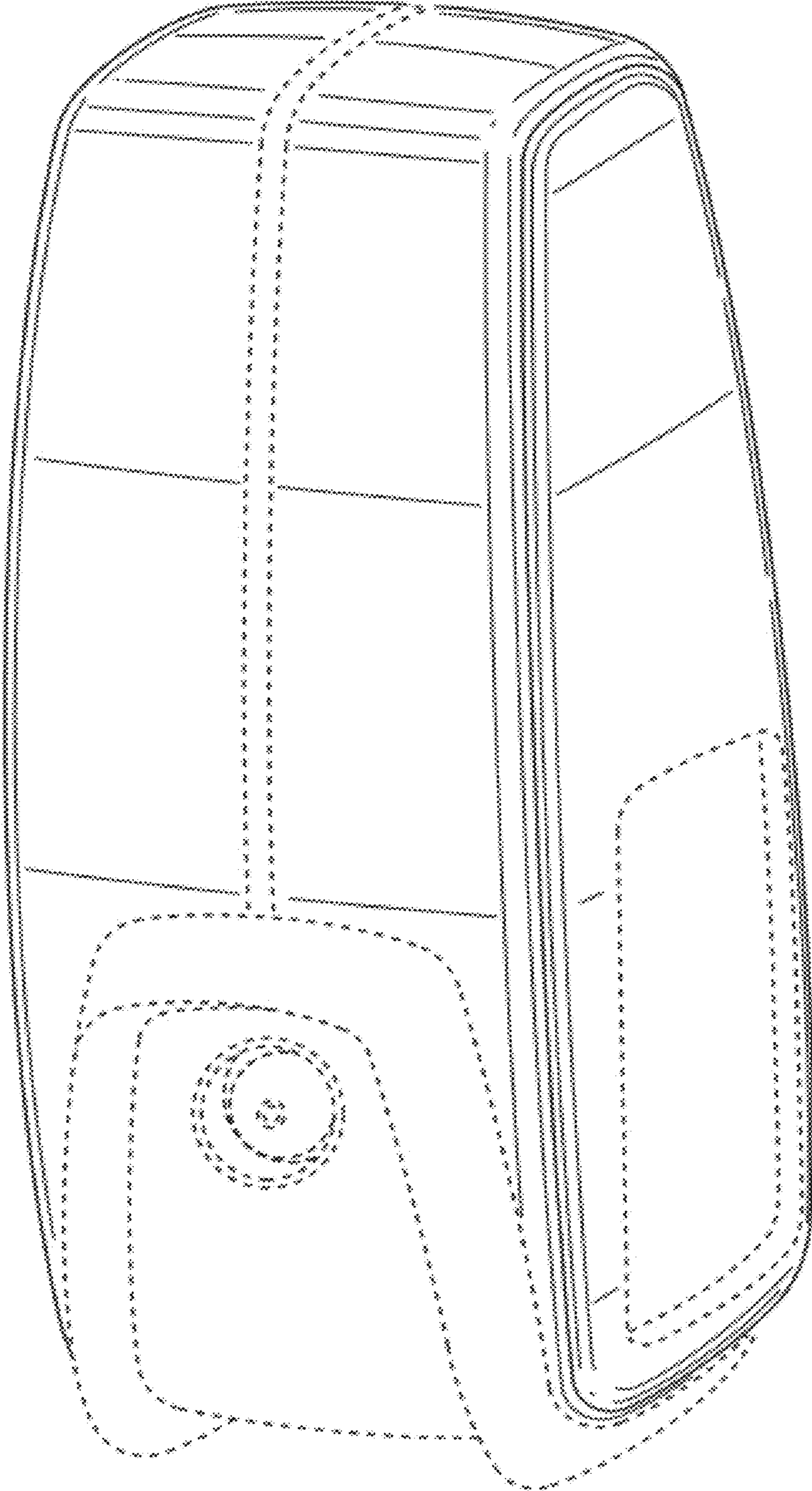


FIG. 1

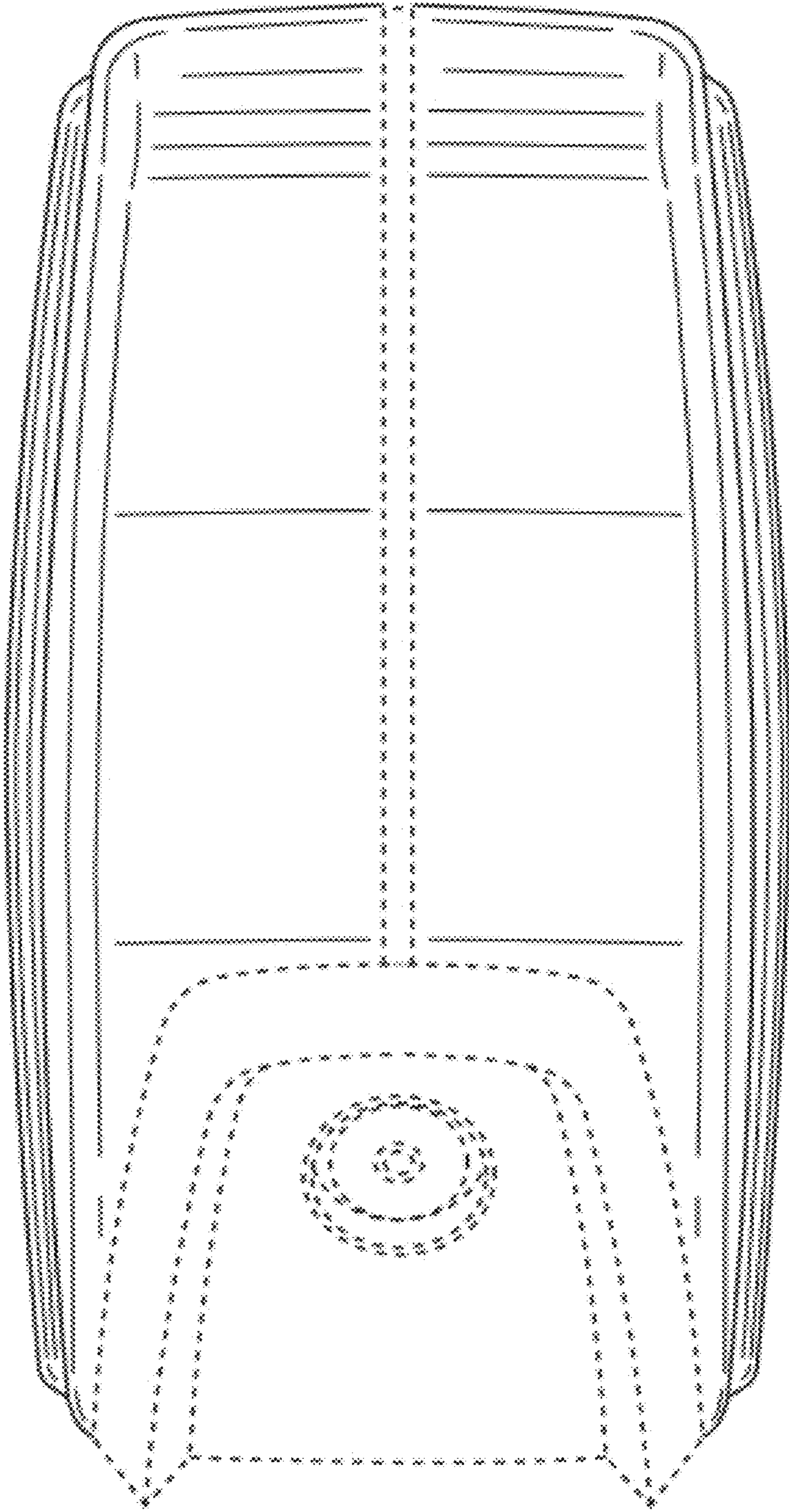


FIG.2

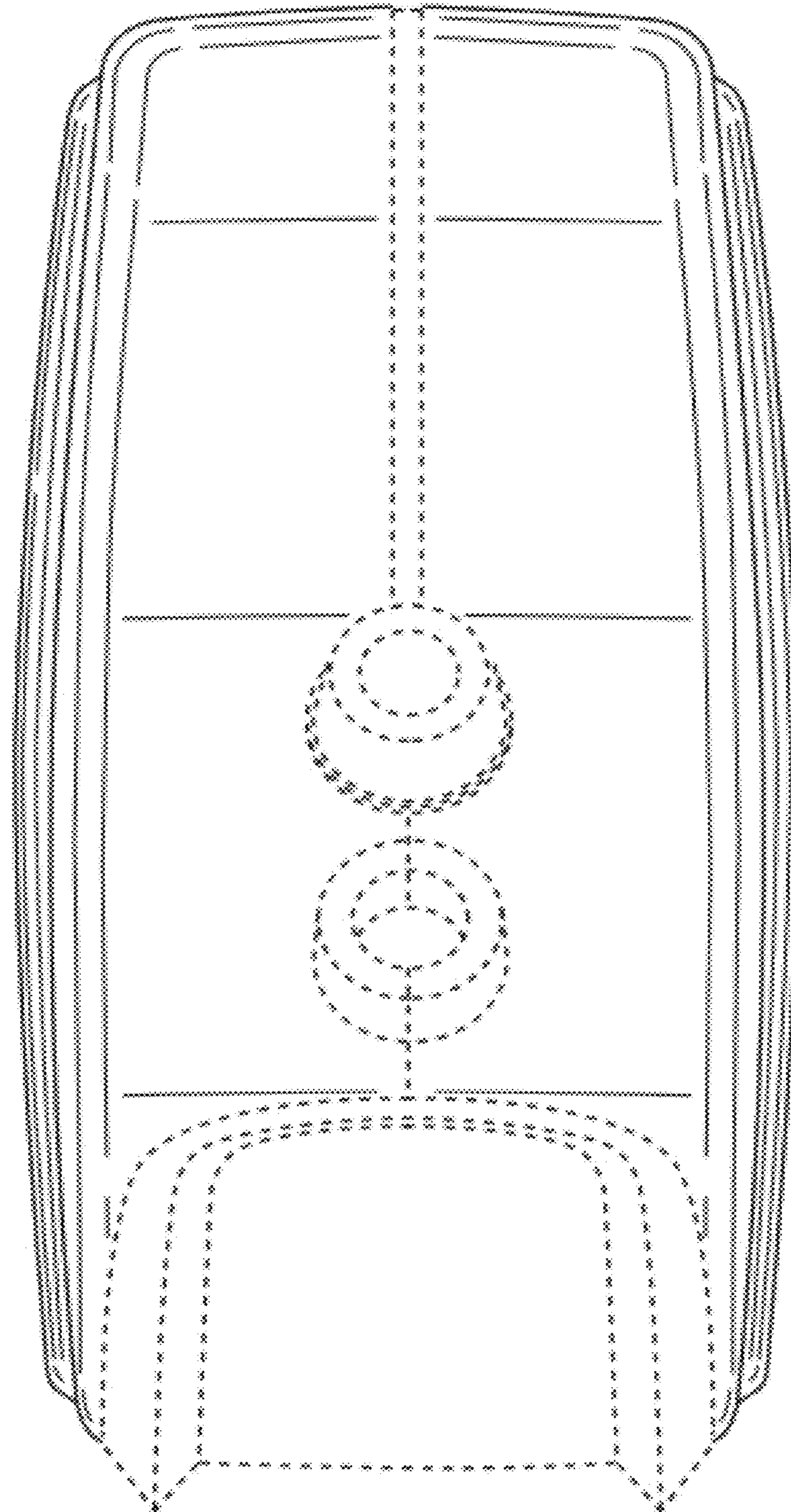


FIG. 3

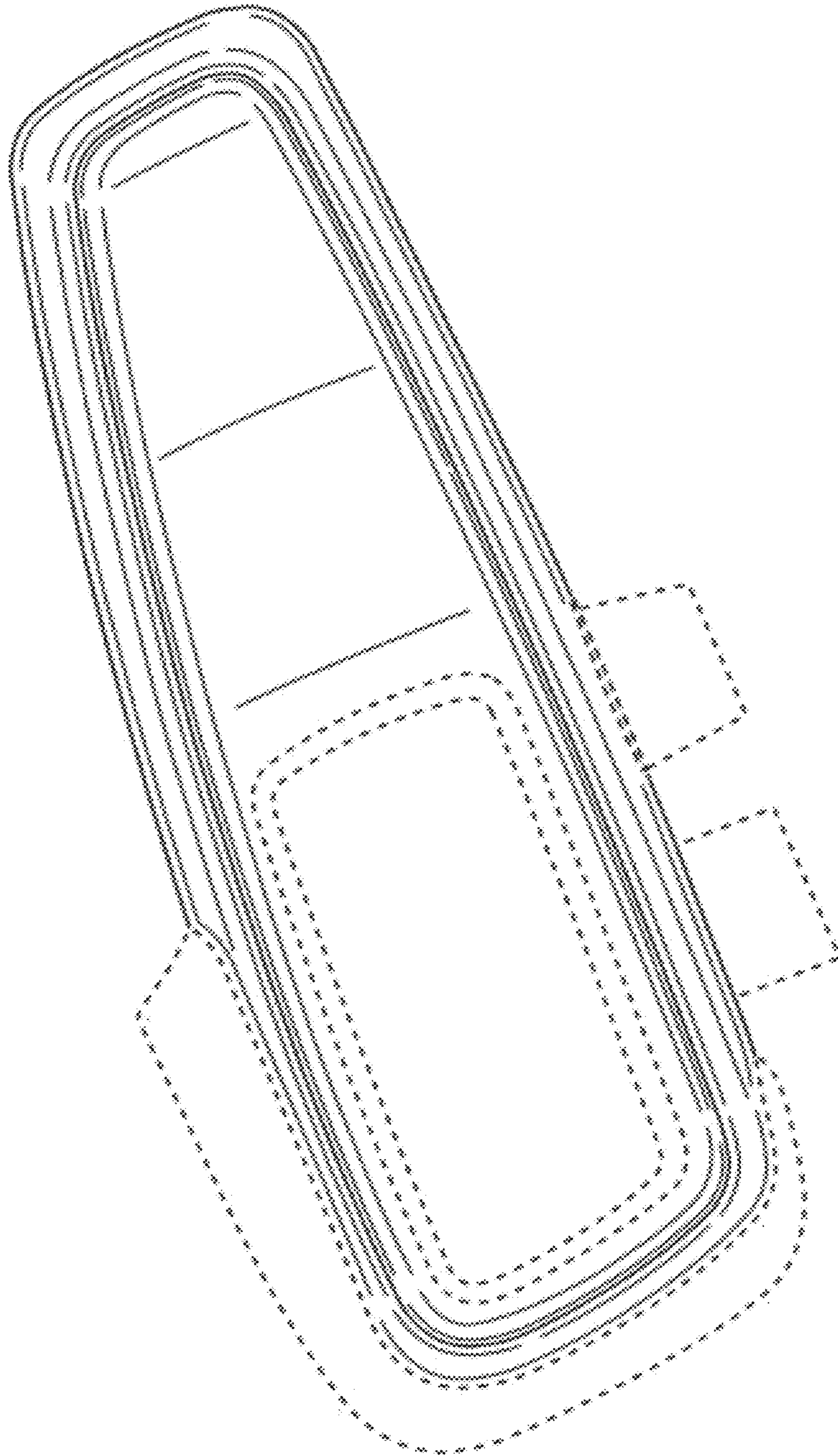


FIG. 4

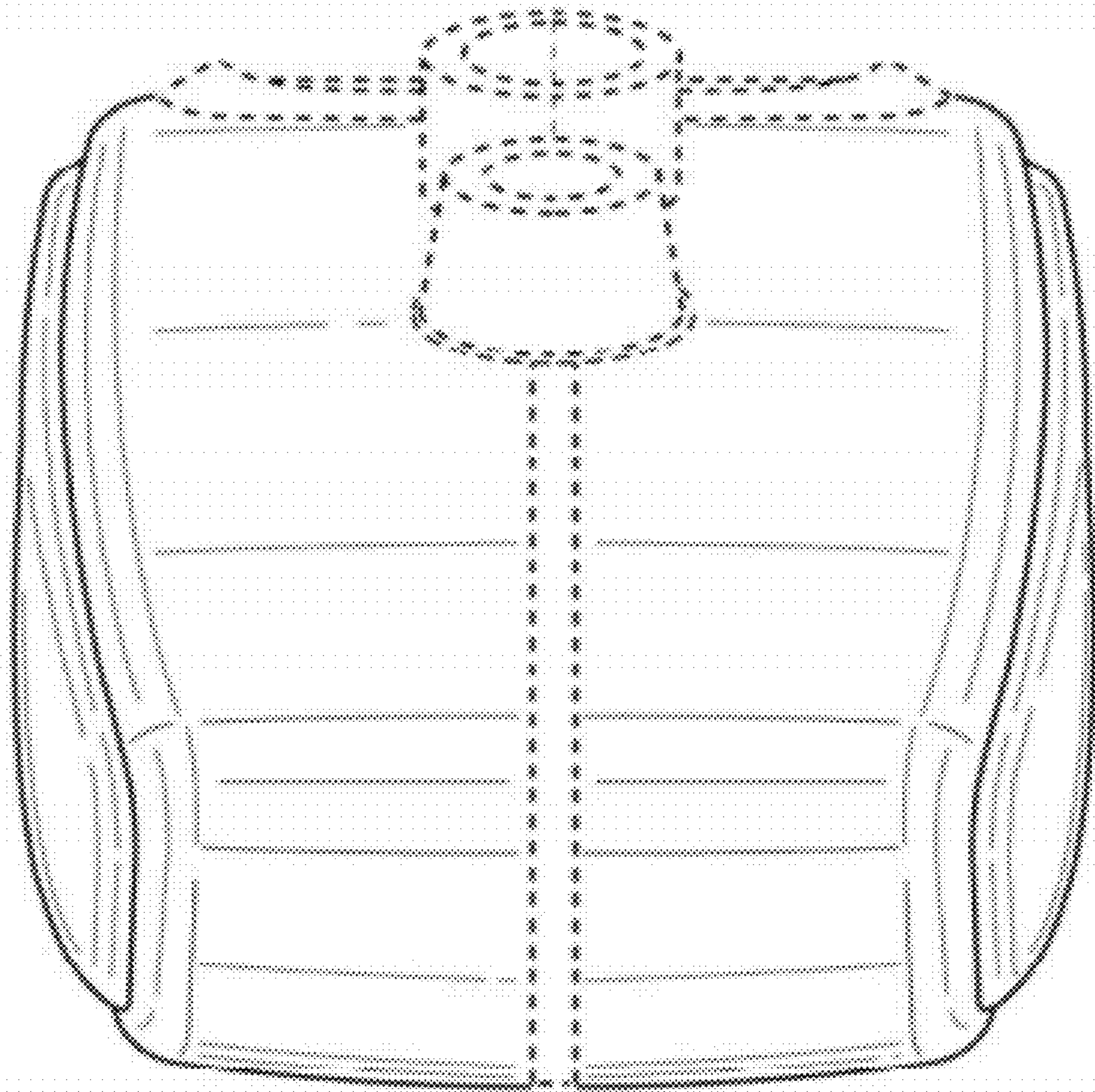


FIG. 5

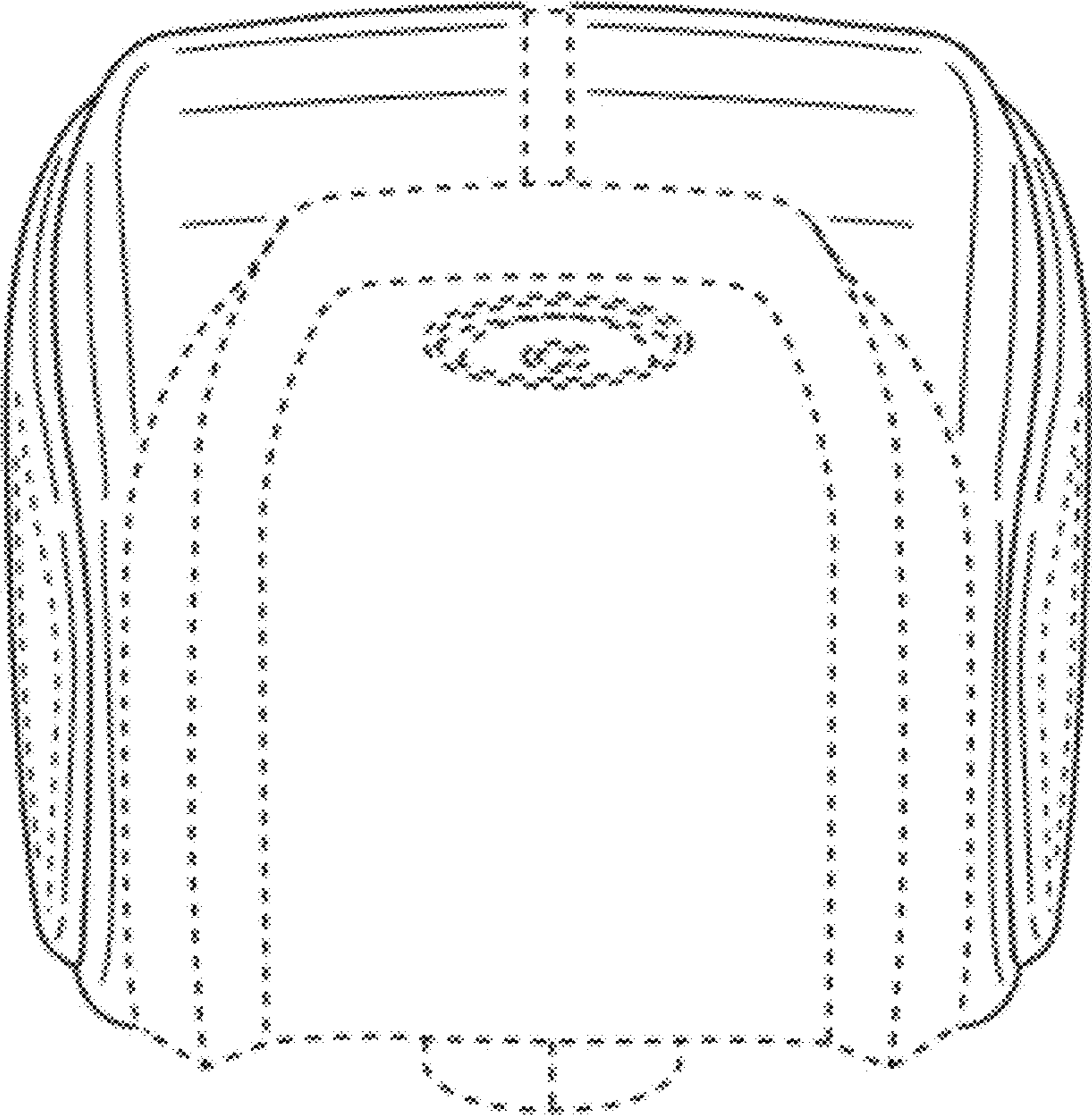


FIG.6