

US00D660896S

(12) **United States Design Patent**  
**Wong**

(10) **Patent No.:** **US D660,896 S**

(45) **Date of Patent:** **\*\* May 29, 2012**

(54) **LENS FOR LED**

(76) Inventor: **Jia-Shing Wong**, Kotakinabalu Sabah (MY)

(\*\*) Term: **14 Years**

(21) Appl. No.: **29/386,729**

(22) Filed: **Mar. 4, 2011**

(51) **LOC (9) Cl.** ..... **16-06**

(52) **U.S. Cl.** ..... **D16/134**

(58) **Field of Classification Search** ..... D16/134,  
D16/135, 130; 359/808, 811, 813, 814, 819,  
359/827, 824, 362, 642; 362/267, 487; D26/123,  
D26/124

See application file for complete search history.

(56) **References Cited**

**U.S. PATENT DOCUMENTS**

D35,769	S	*	2/1902	Wells	.....	D16/135
1,137,444	A	*	4/1915	Adams	.....	359/739
2,954,461	A	*	9/1960	Tucker	.....	362/332
4,040,724	A	*	8/1977	Klingler	.....	359/804
5,068,771	A	*	11/1991	Savage, Jr.	.....	362/255
5,500,768	A	*	3/1996	Doggett et al.	.....	359/652
6,043,940	A	*	3/2000	Kamiyama et al.	.....	359/719

6,274,890	B1	*	8/2001	Oshio et al.	.....	257/98
6,674,584	B2	*	1/2004	Anderson	.....	359/819
7,207,706	B2	*	4/2007	Leu et al.	.....	362/612
7,612,383	B2	*	11/2009	Andrews et al.	.....	257/98
D631,075	S	*	1/2011	Liu et al.	.....	D16/134
D631,076	S	*	1/2011	Liu et al.	.....	D16/134

\* cited by examiner

*Primary Examiner* — Paula Greene

(74) *Attorney, Agent, or Firm* — Leong C. Lei

(57) **CLAIM**

The ornamental design for a lens for LED, as shown and described.

**DESCRIPTION**

FIG. 1 is a perspective view of a lens for LED showing my new design;

FIG. 2 is a front elevational view thereof;

FIG. 3 is a rear elevational view thereof;

FIG. 4 is a left side view thereof;

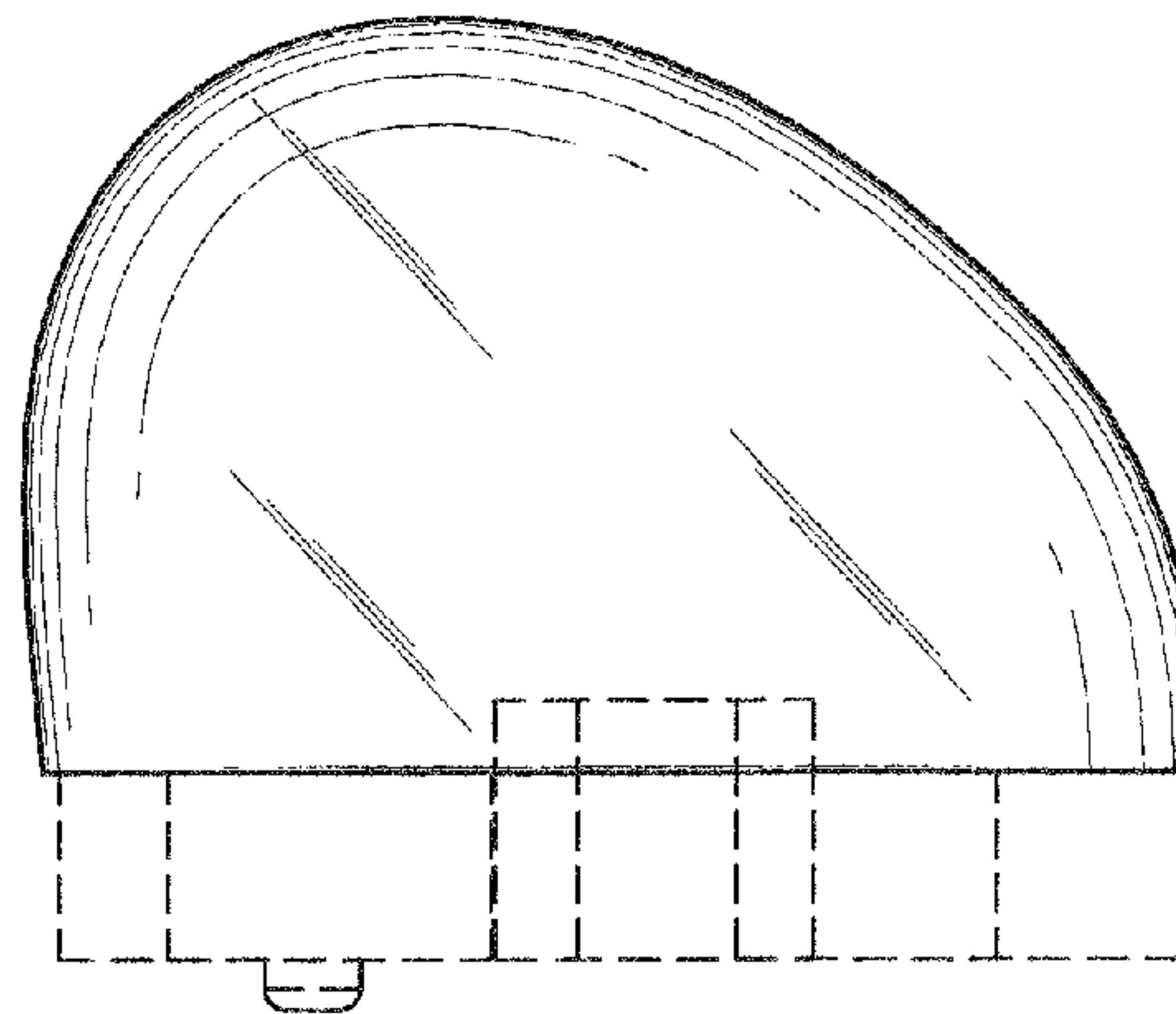
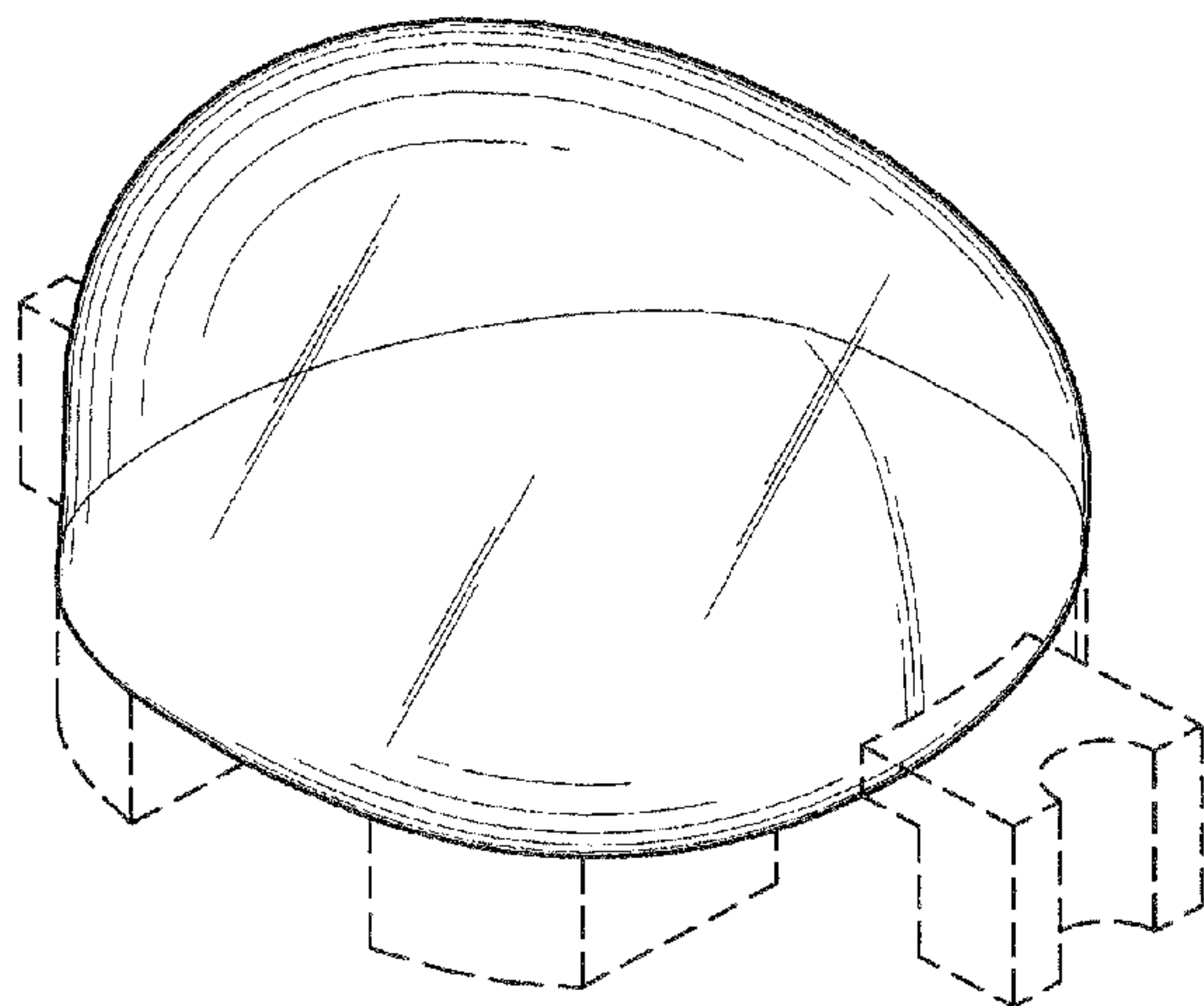
FIG. 5 is a right side view thereof;

FIG. 6 is a top plan view thereof; and,

FIG. 7 is a bottom plan view thereof.

The broken lines shown in the drawings illustrate portions of the article and form no part of the claimed design.

**1 Claim, 5 Drawing Sheets**



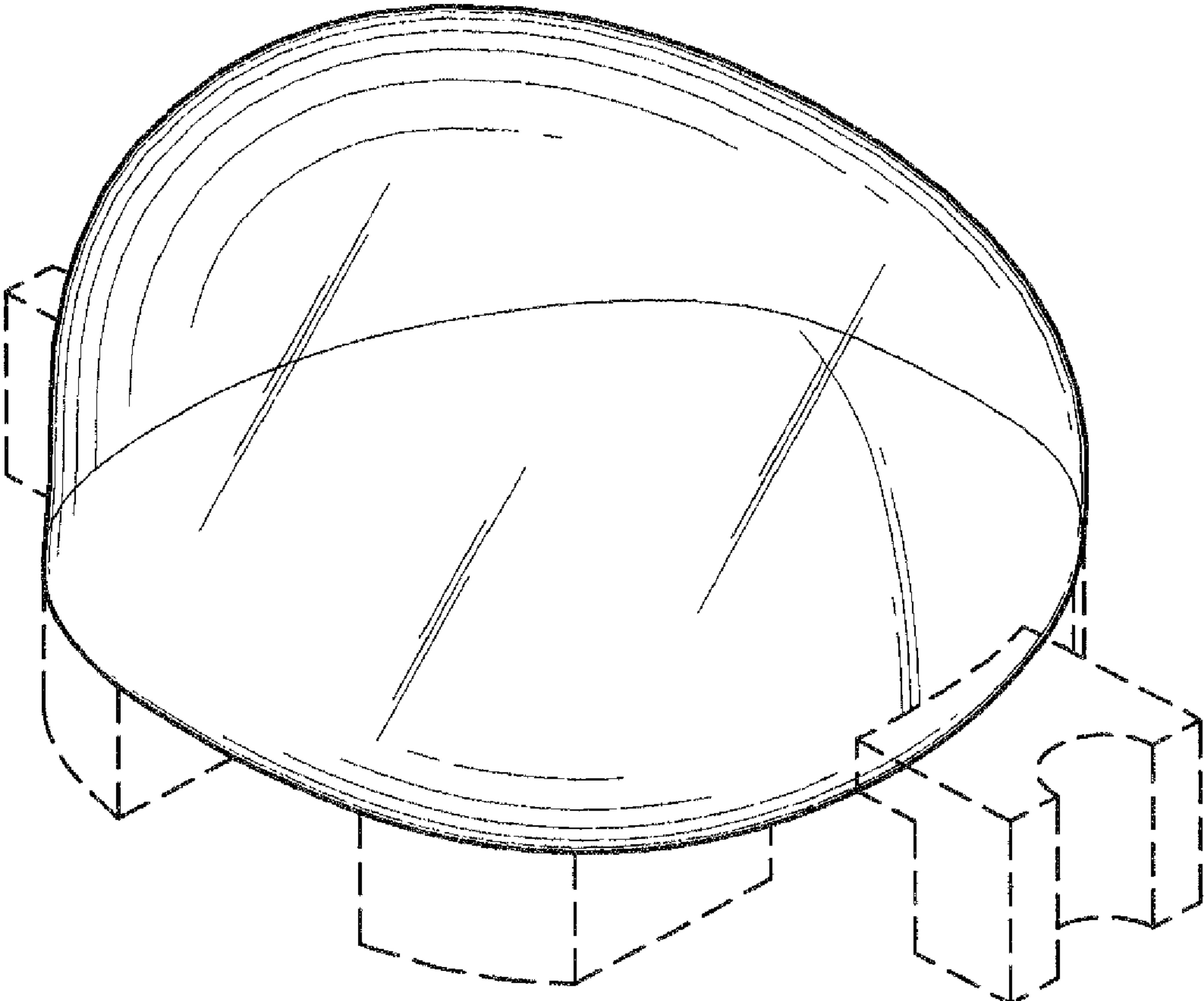


FIG.1

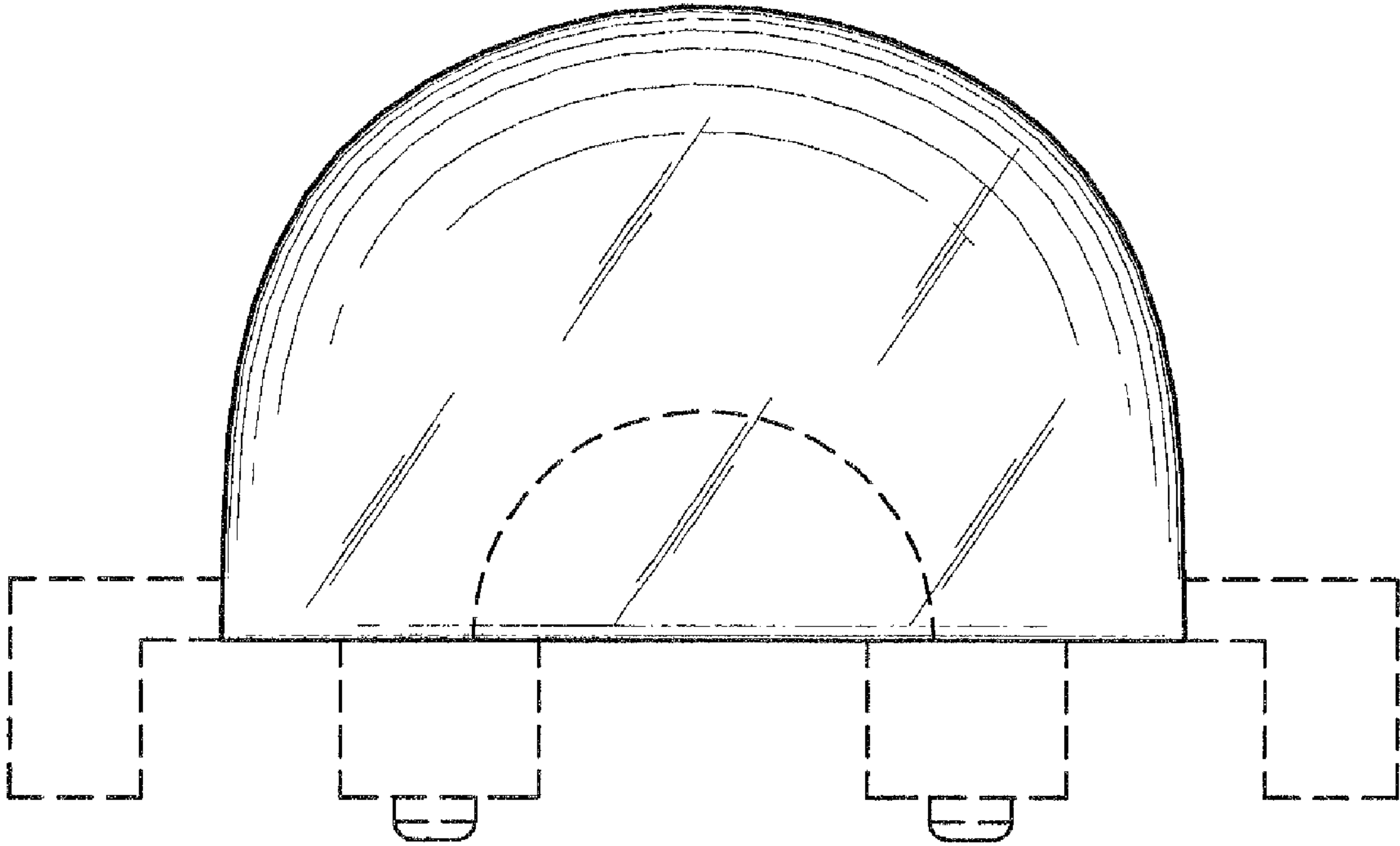


FIG.2

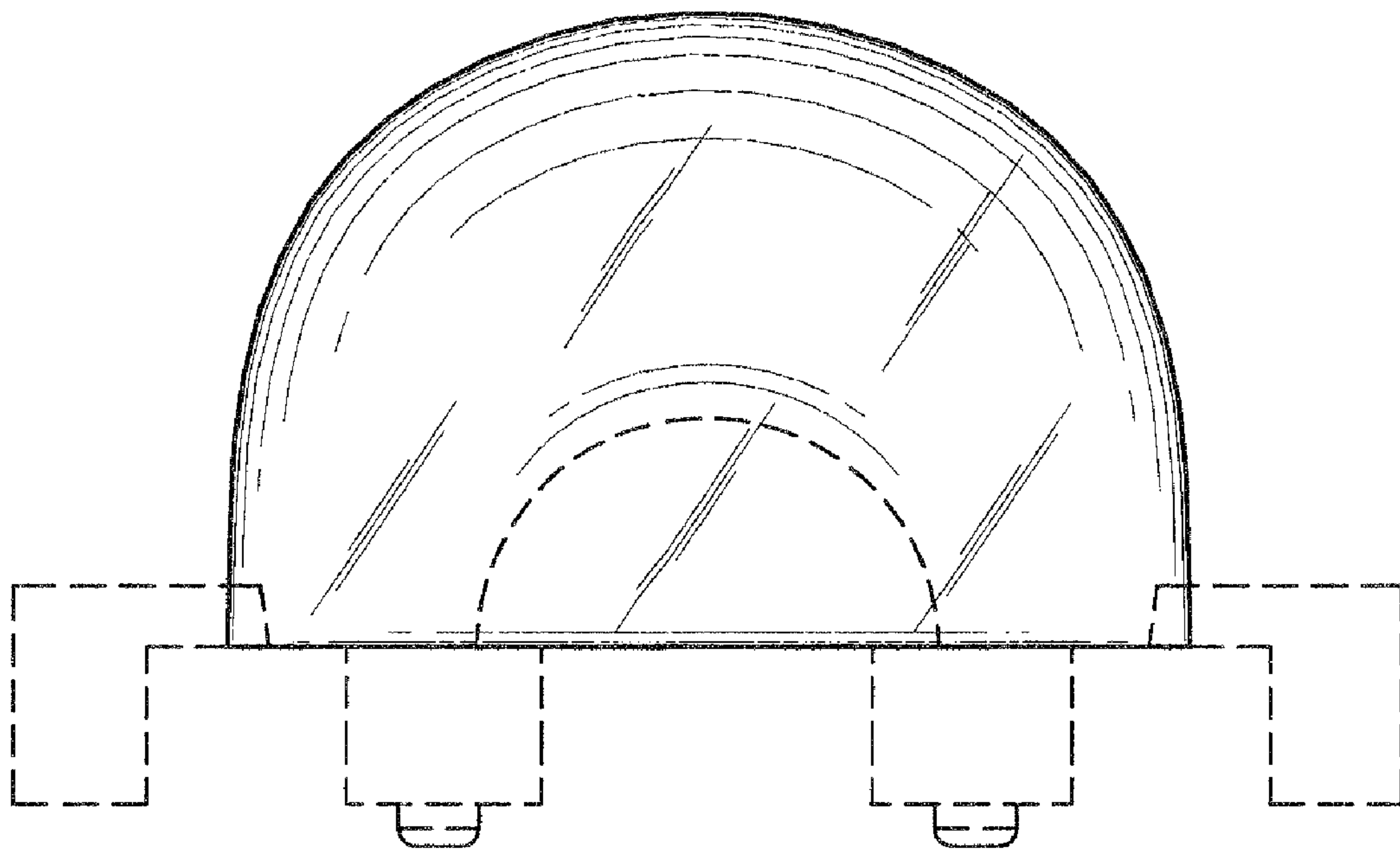


FIG.3

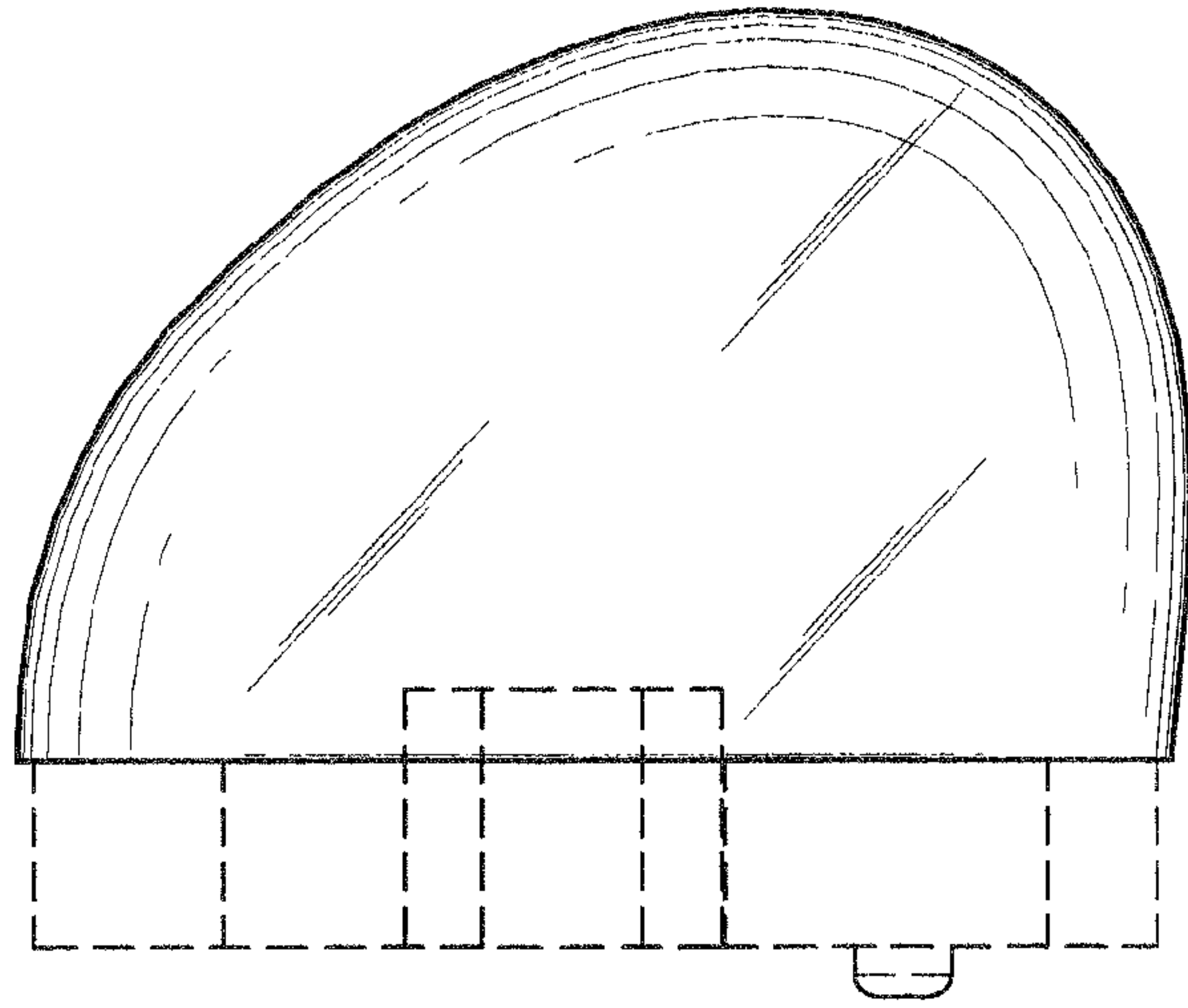


FIG. 4

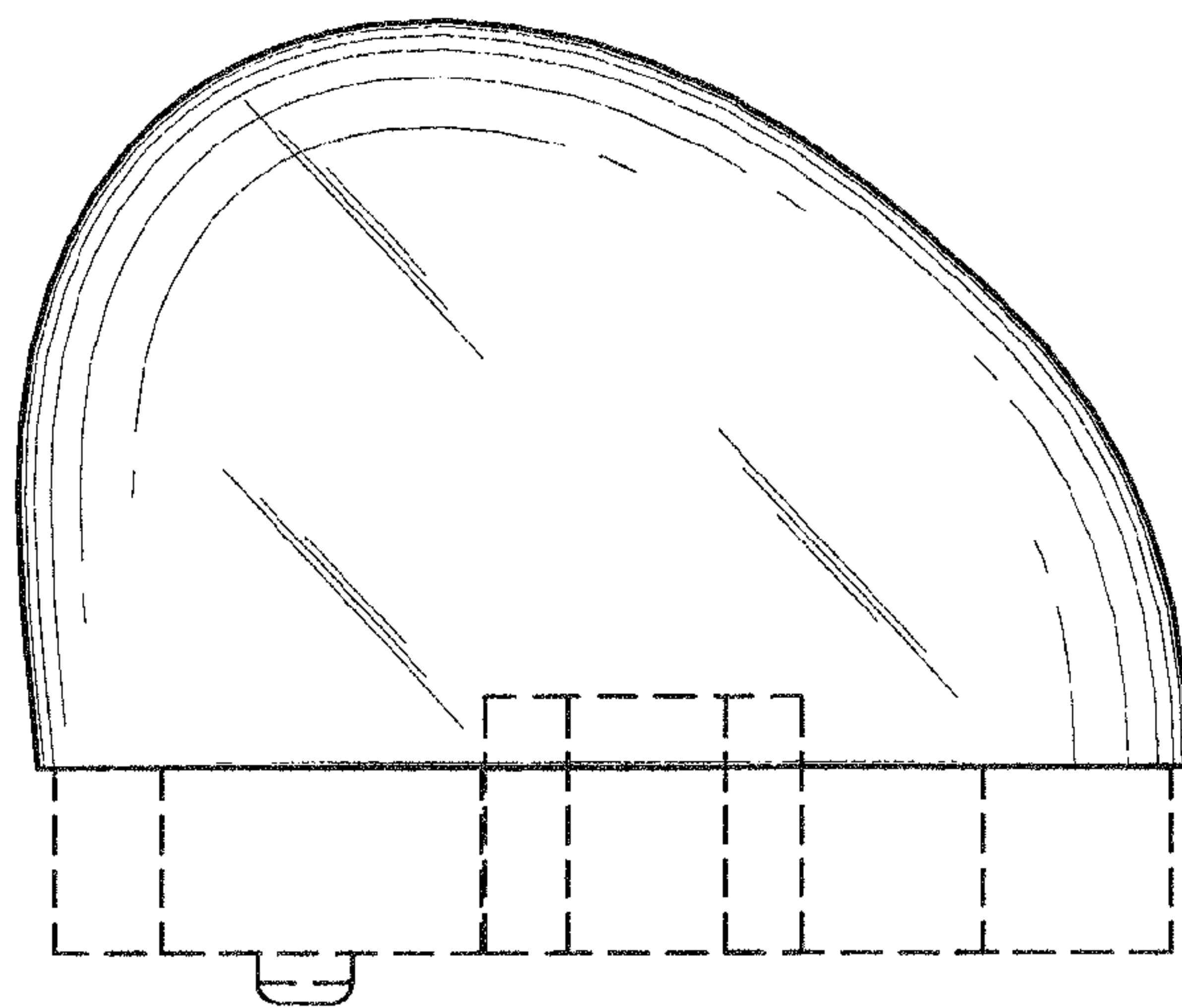


FIG. 5



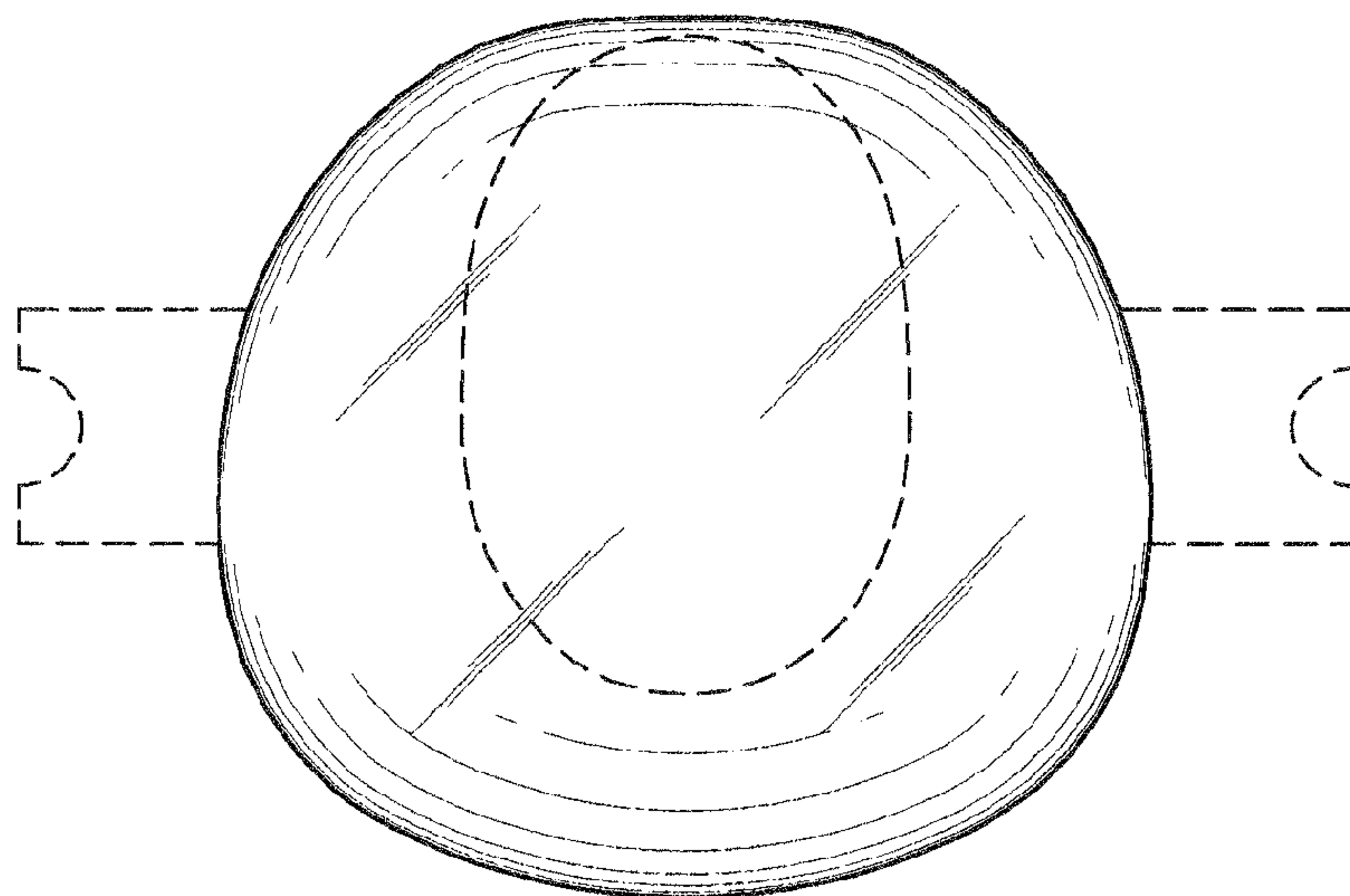


FIG. 6

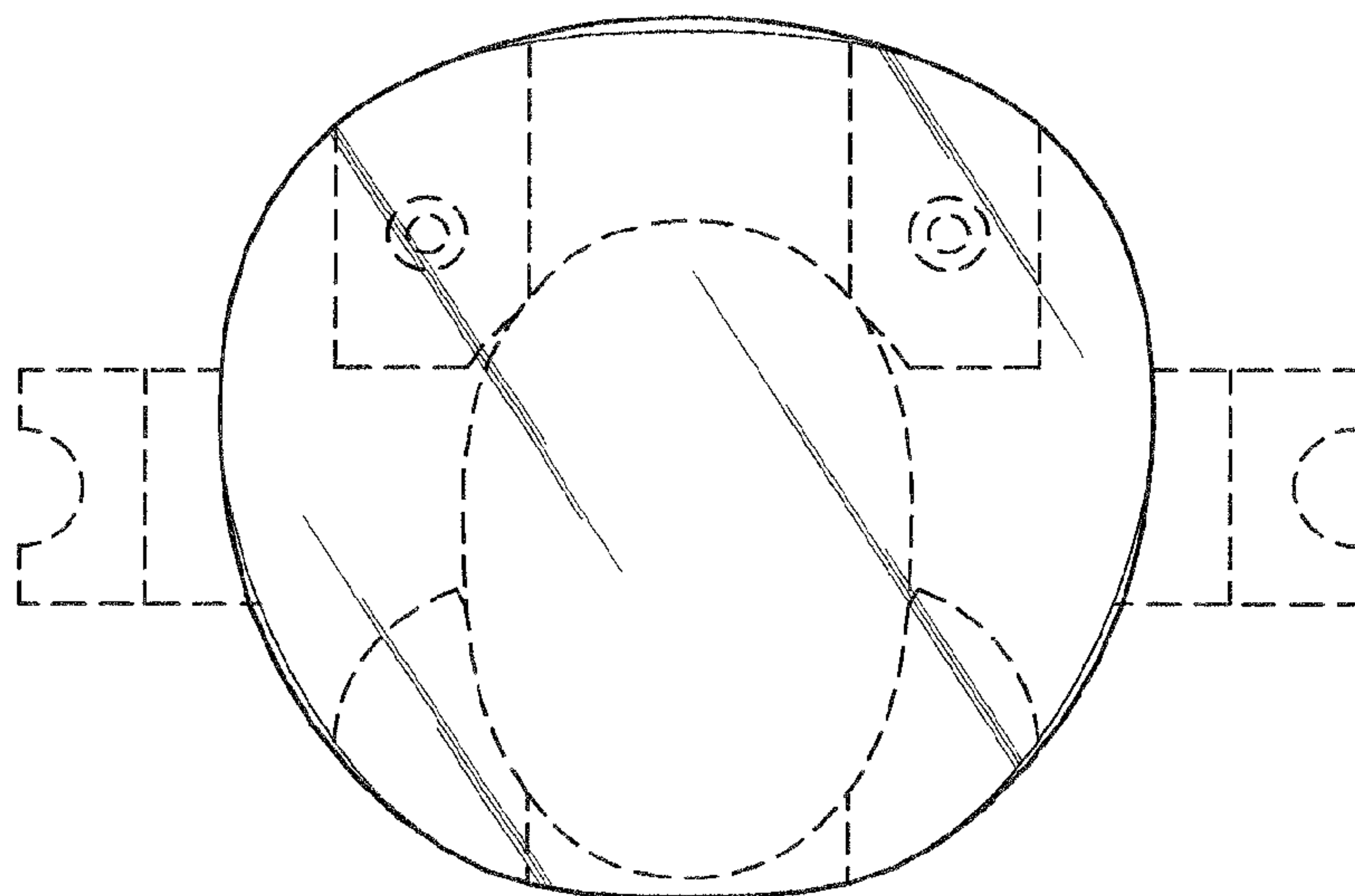


FIG. 7