



US00D660895S

(12) **United States Design Patent**
Fischbach

(10) **Patent No.:** **US D660,895 S**

(45) **Date of Patent:** **** May 29, 2012**

(54) **BINOCULARS**

(75) Inventor: **Manfred Fischbach,**
Himmelkorn-Gössenreuth (DE)

(73) Assignee: **Steiner-Optik GmbH,** Bayreuth (DE)

(**) Term: **14 Years**

(21) Appl. No.: **29/384,270**

(22) Filed: **Jan. 28, 2011**

(30) **Foreign Application Priority Data**

Jul. 30, 2010 (EP) 001738162

(51) **LOC (9) Cl.** **16-06**

(52) **U.S. Cl.** **D16/133**

(58) **Field of Classification Search** D16/133;
359/407, 408, 410, 411, 412, 413, 414, 415,
359/416, 417, 418, 419, 420, 808, 809, 810,
359/811, 813, 815, 817, 819, 822
See application file for complete search history.

(56) **References Cited**

U.S. PATENT DOCUMENTS

3,817,594 A * 6/1974 Fischer 359/408
D299,724 S * 2/1989 Aoki D16/133

5,231,535 A * 7/1993 Peters et al. 359/414
D346,175 S * 4/1994 Chan D16/133
D395,055 S * 6/1998 Lee D16/133
D412,921 S * 8/1999 Hayamizu D16/133
D447,160 S * 8/2001 Kishigami et al. D16/133
6,476,963 B1 * 11/2002 Chen 359/412
D519,538 S * 4/2006 Hayamizu D16/133
D590,856 S * 4/2009 Hayamizu D16/133

* cited by examiner

Primary Examiner — Paula Greene

(74) *Attorney, Agent, or Firm* — Laurence A. Greenberg;
Werner H. Stemer; Ralph E. Locher

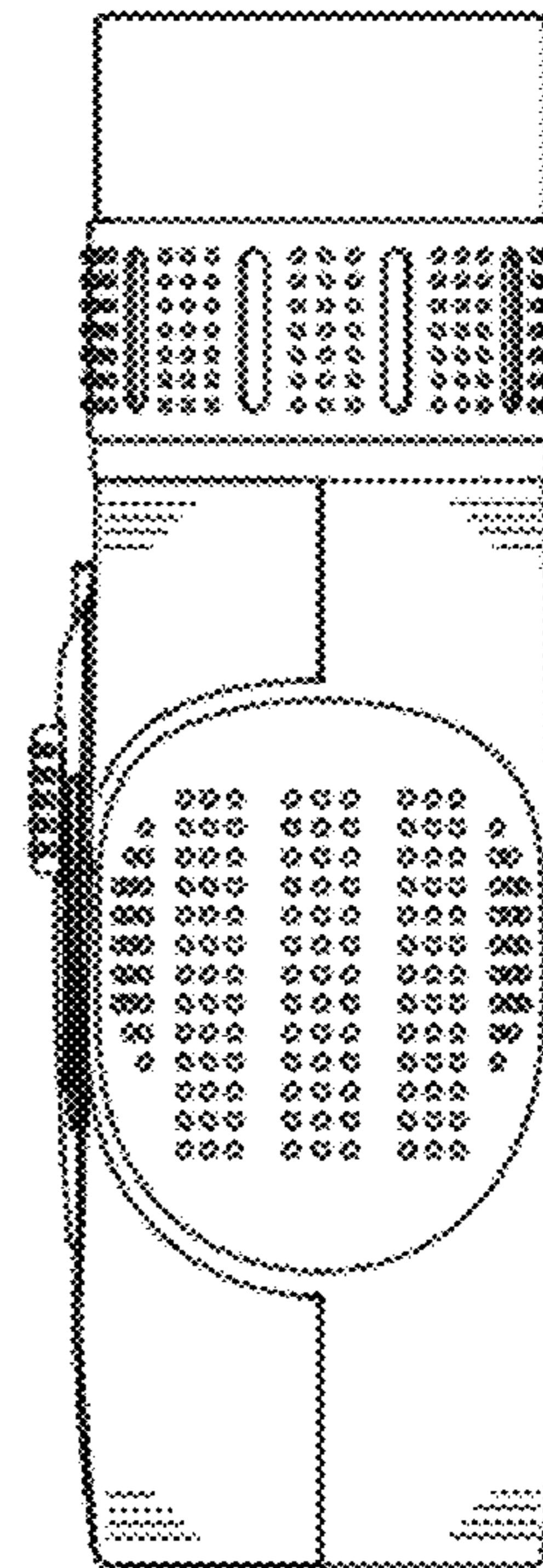
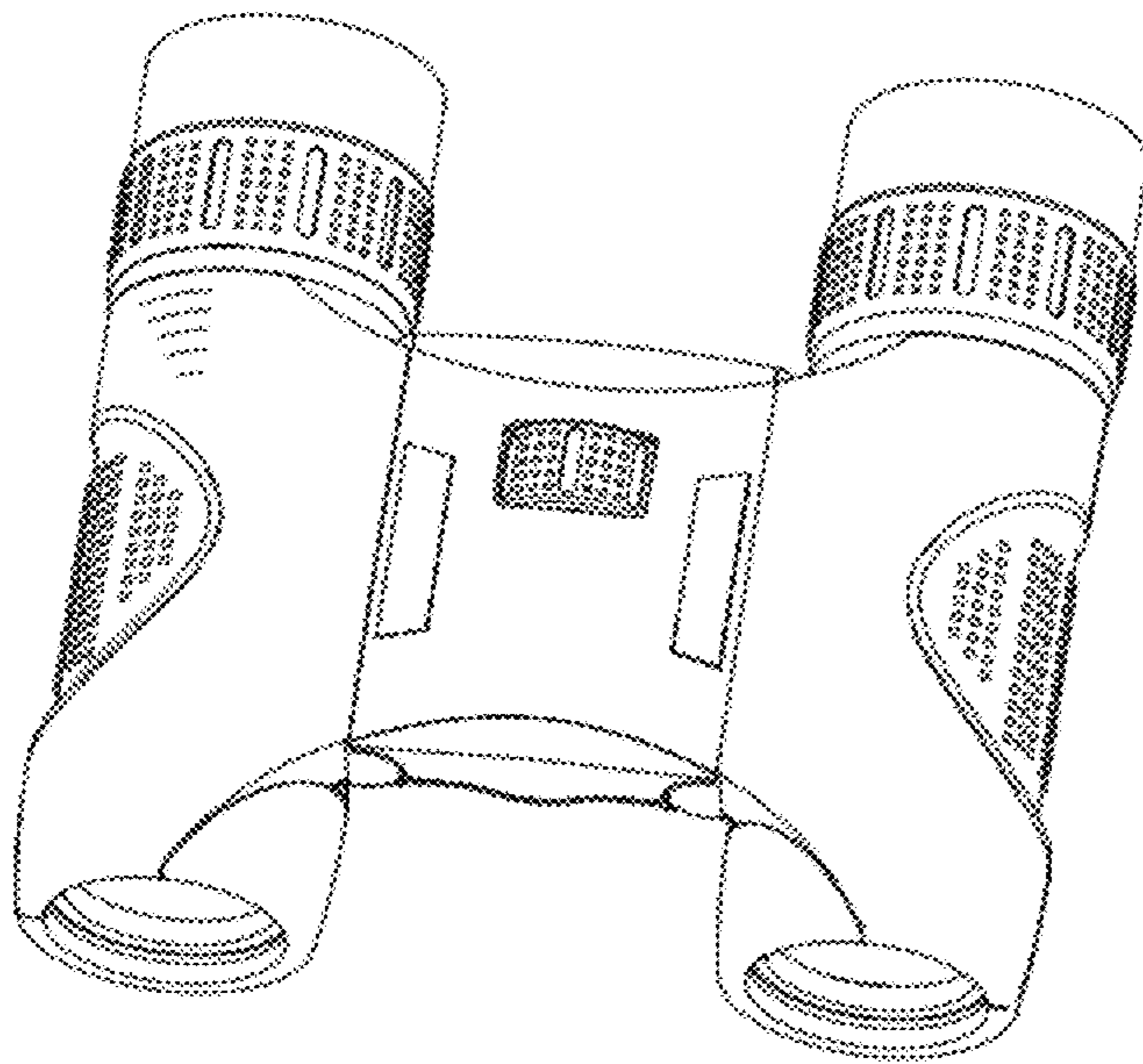
(57) **CLAIM**

The ornamental design for binoculars, as shown and described.

DESCRIPTION

FIG. 1 is a front, top perspective view of the binoculars, showing my new design;
FIG. 2 is a top view thereof;
FIG. 3 is a bottom view thereof;
FIG. 4 is a left side elevation view thereof;
FIG. 5 is a right side elevation view thereof;
FIG. 6 is a rear view thereof; and,
FIG. 7 is a front view thereof.
The broken lines form no part of the claimed design.

1 Claim, 4 Drawing Sheets



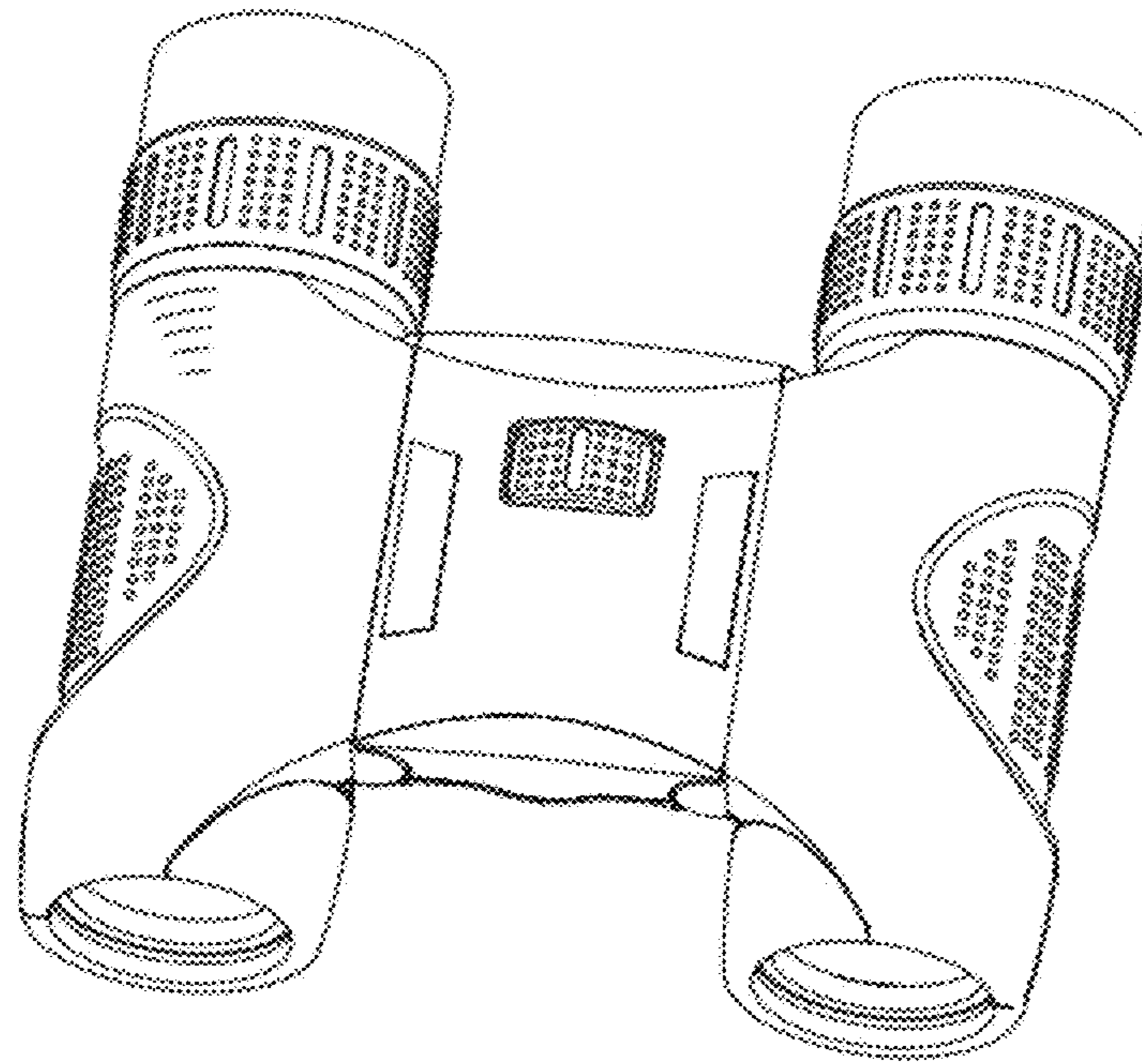


FIG. 1

FIG. 2

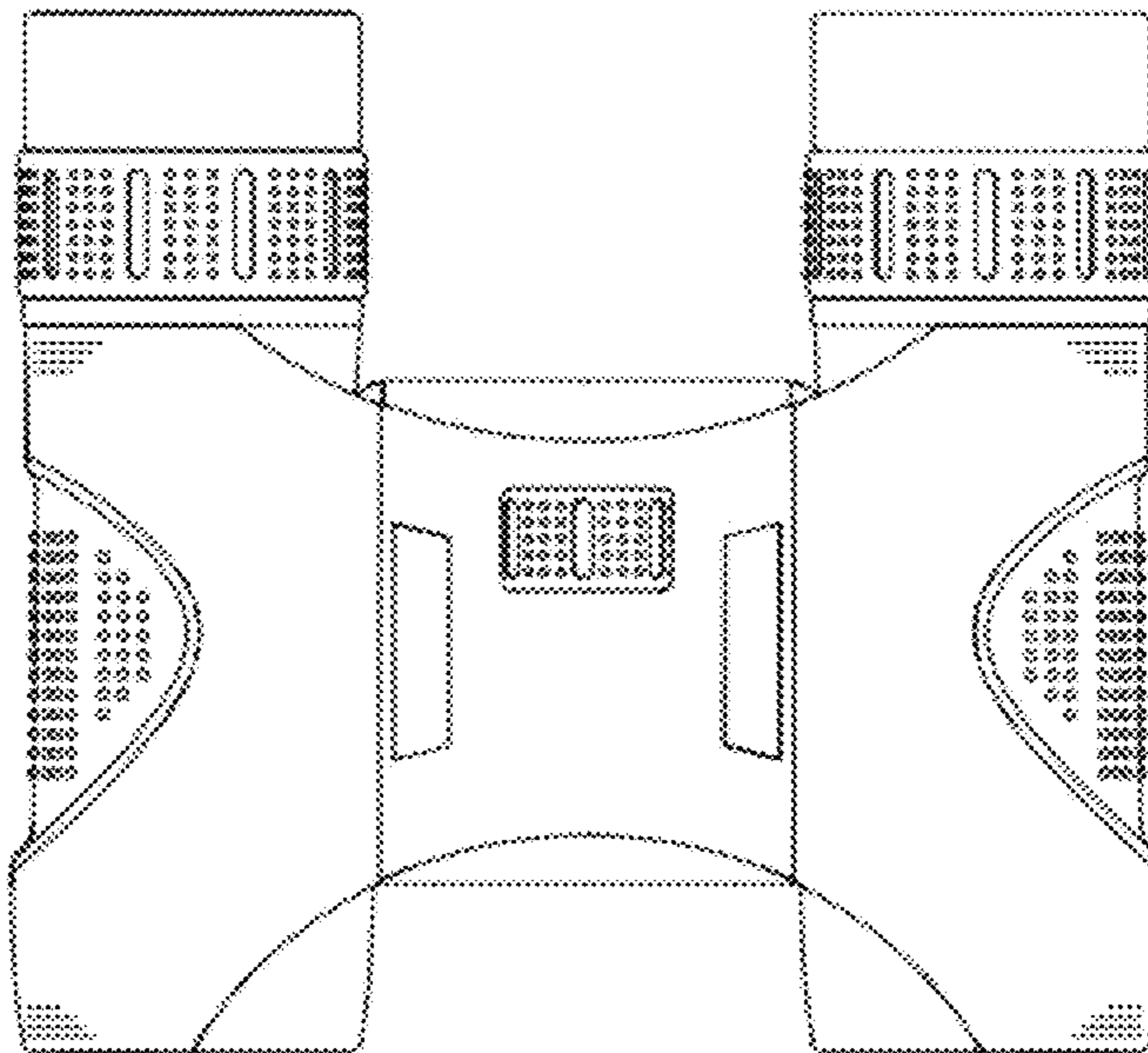
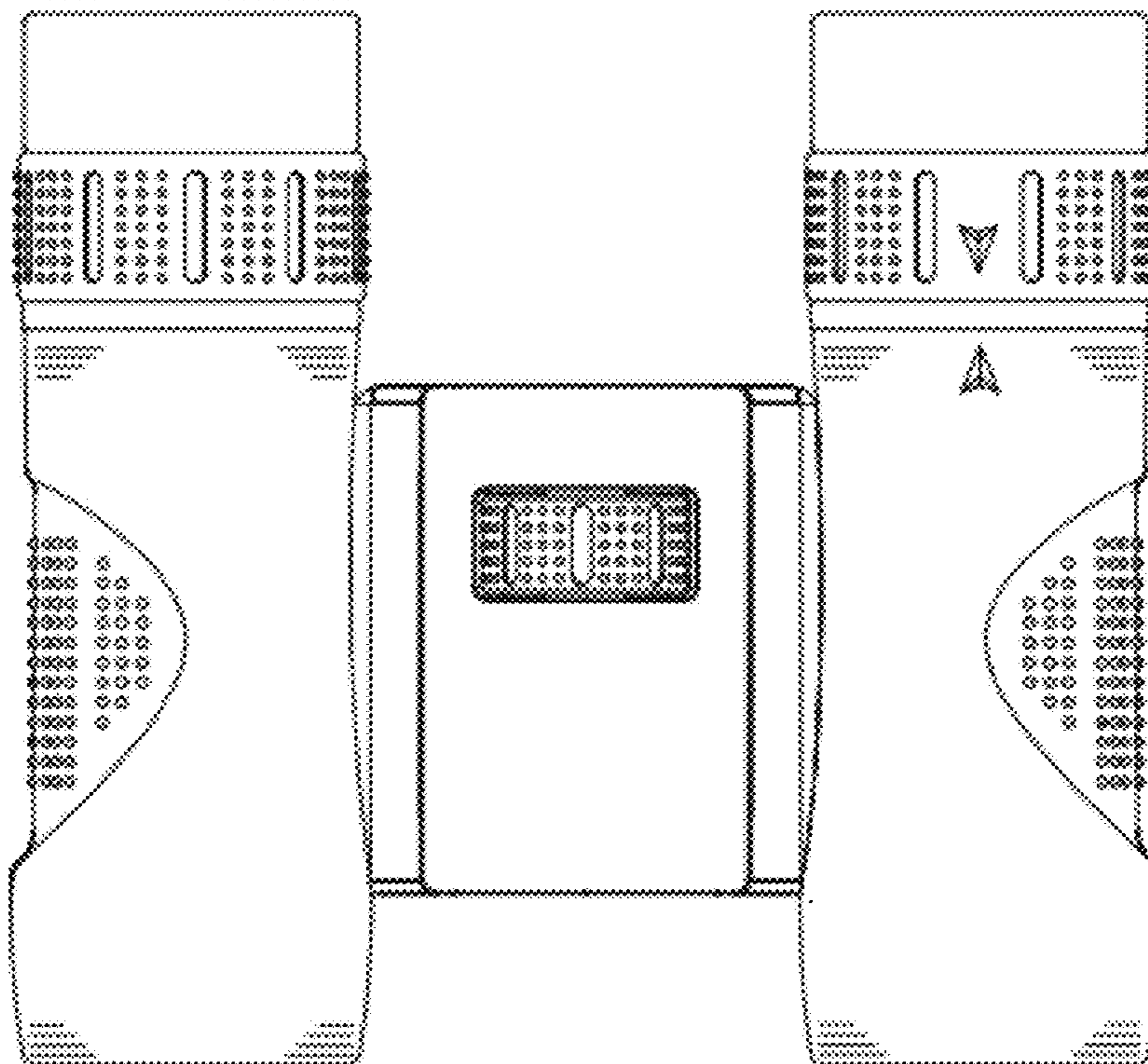


FIG. 3



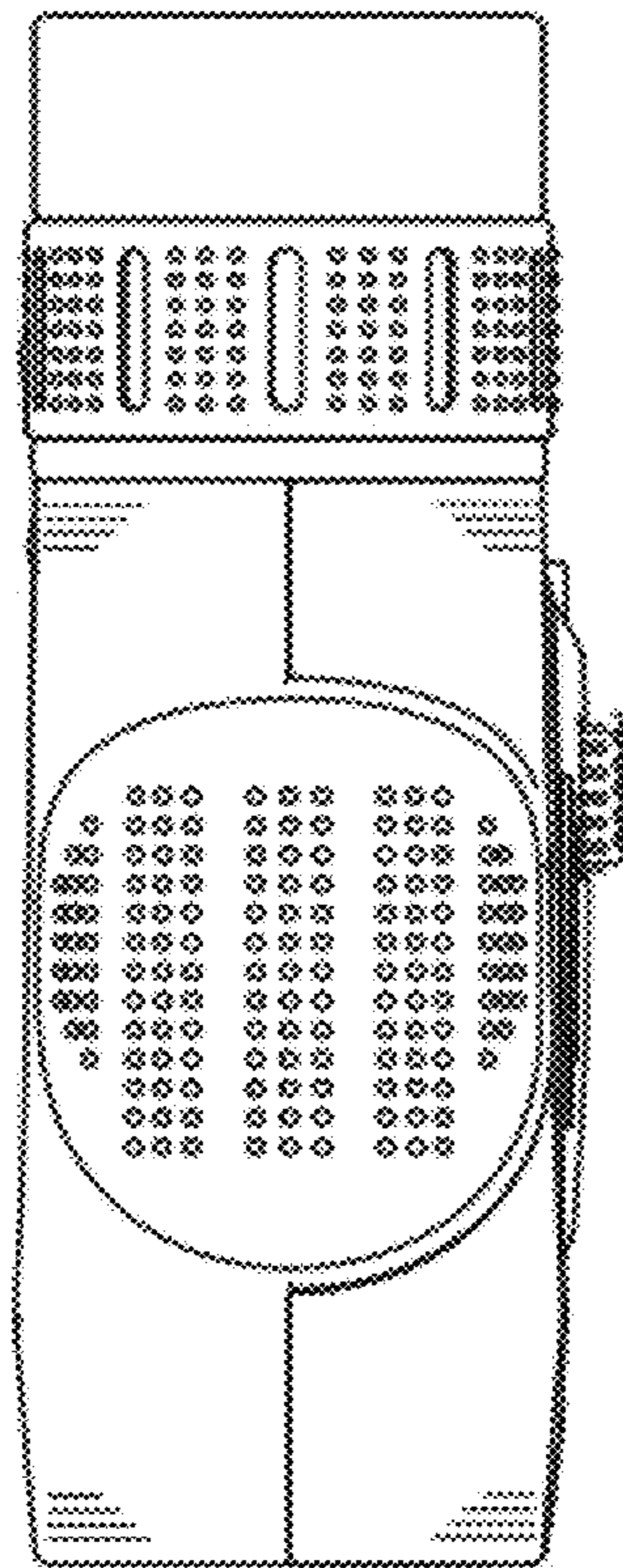


FIG. 5

FIG. 4

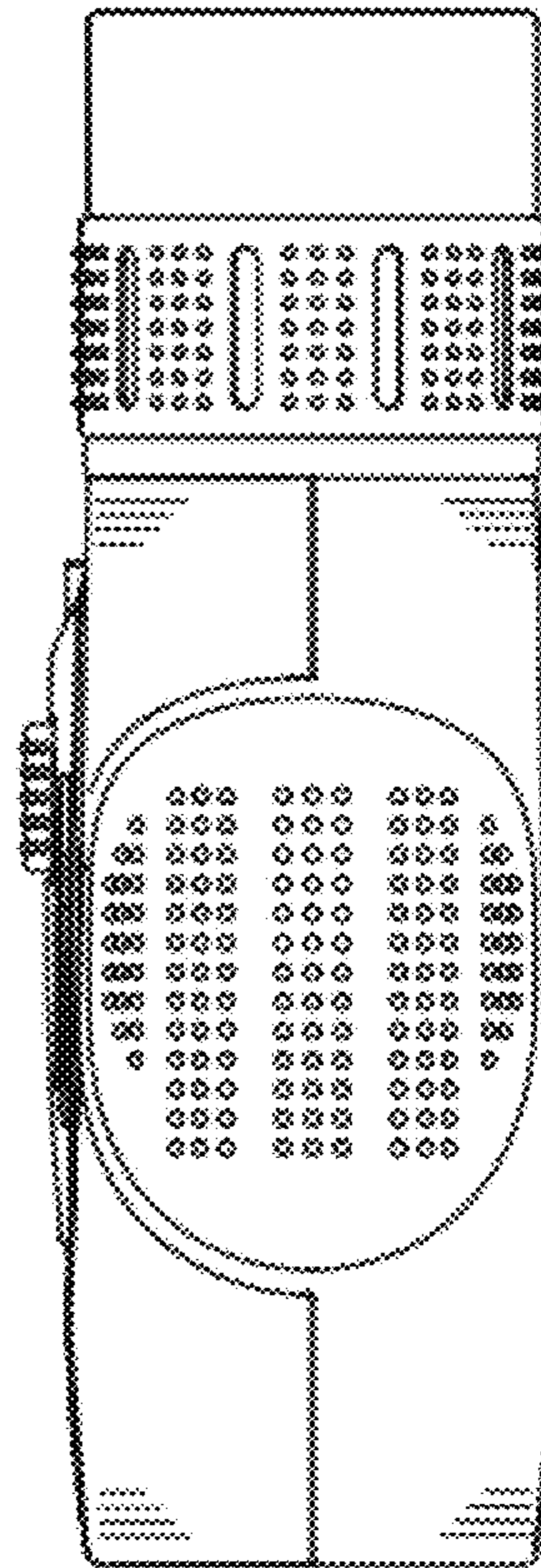


FIG. 6

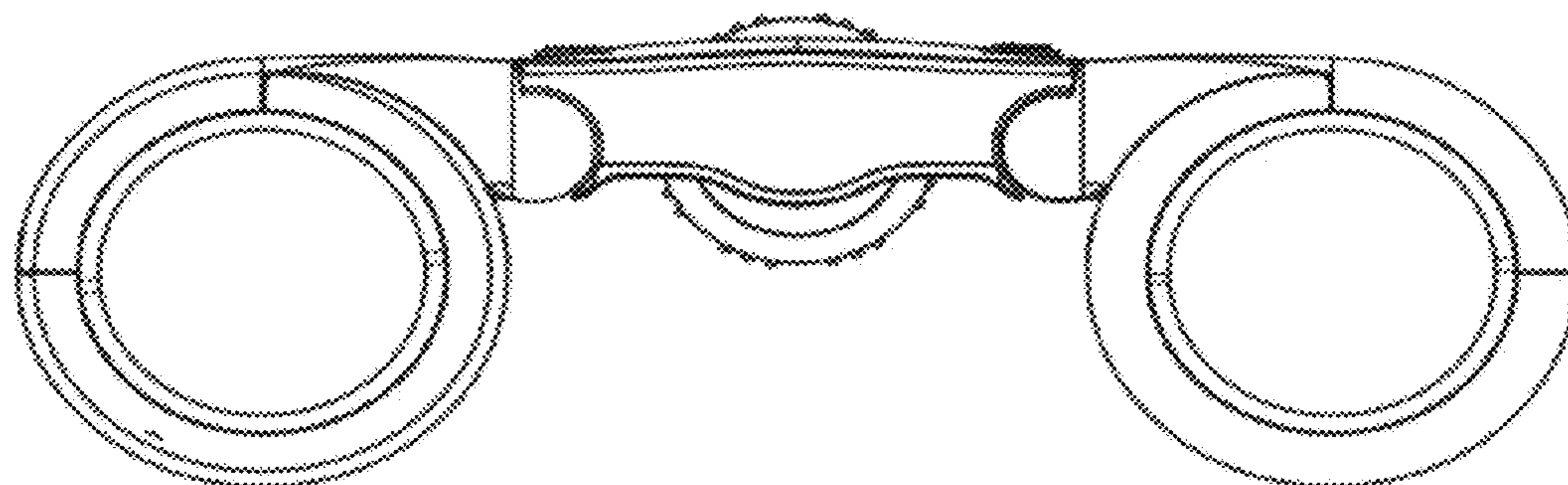
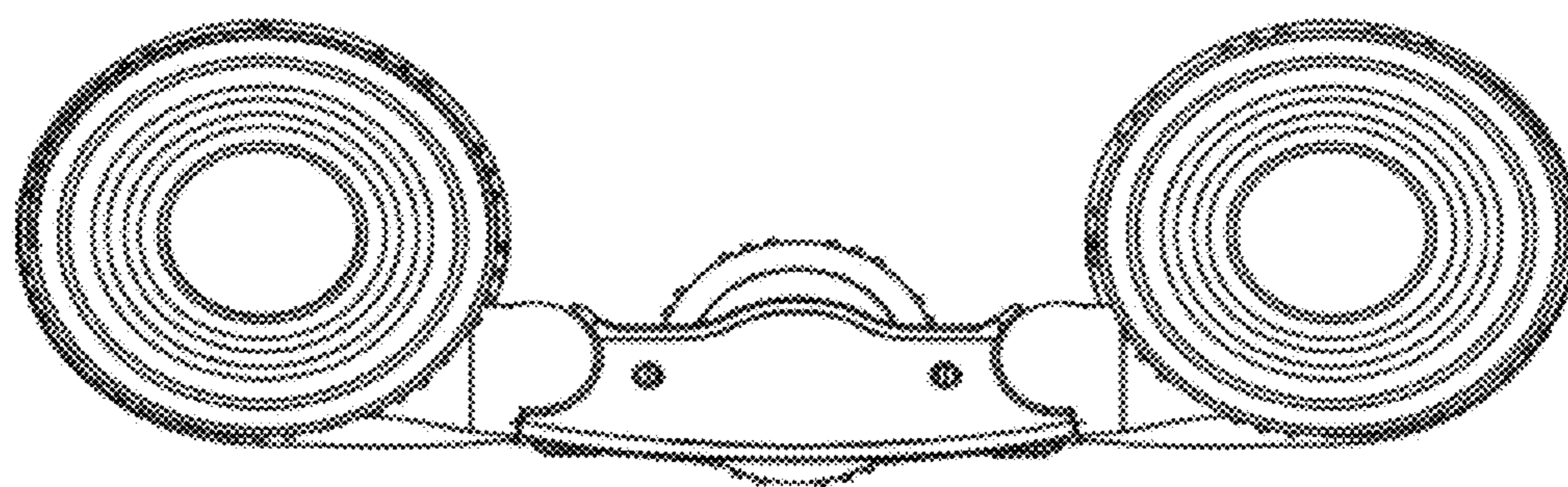


FIG. 7