



US00D660894S

(12) **United States Design Patent**  
**Nojima et al.**

(10) **Patent No.:** **US D660,894 S**

(45) **Date of Patent:** **\*\* May 29, 2012**

(54) **SUPPORT STAND FOR A DIGITAL MICROSCOPE**

(75) Inventors: **Akira Nojima**, Tokyo (JP); **Tatsuya Uemachi**, Kanagawa pref. (JP)

(73) Assignee: **Nikon Corporation** (JP)

(\*\*) Term: **14 Years**

(21) Appl. No.: **29/373,076**

(22) Filed: **Feb. 24, 2011**

(30) **Foreign Application Priority Data**

Aug. 26, 2010 (JP) ..... 2010-020608

(51) **LOC (9) Cl.** ..... **16-06**

(52) **U.S. Cl.** ..... **D16/131**

(58) **Field of Classification Search** ..... D16/130,  
D16/131, 136, 225, 232, 235; D15/140;  
359/368, 389, 390, 386, 801; 348/79

See application file for complete search history.

(56) **References Cited**

**U.S. PATENT DOCUMENTS**

D235,478	S	*	6/1975	Armbruster	.....	D16/131
D240,861	S	*	8/1976	Armbruster	.....	D16/131
D252,276	S	*	7/1979	Griffith	.....	D16/131
D261,397	S	*	10/1981	Speaker	.....	D16/131
4,547,121	A	*	10/1985	Nesmith	.....	414/753.1
4,679,904	A	*	7/1987	Kurihara	.....	359/824
D291,702	S	*	9/1987	Kahute	.....	D16/131
4,863,252	A	*	9/1989	McCarthy et al.	.....	359/376

5,691,840	A	*	11/1997	Bae et al.	.....	359/386
D444,157	S	*	6/2001	Vant	.....	D15/140
D498,247	S	*	11/2004	Suzuki et al.	.....	D16/131
D540,835	S	*	4/2007	Apotheloz	.....	D16/131
D577,047	S	*	9/2008	Apotheloz	.....	D16/131
D623,679	S	*	9/2010	Dittmer	.....	D16/235
D626,162	S	*	10/2010	Suzuki et al.	.....	D16/131
D631,903	S	*	2/2011	Sugiyama	.....	D16/225

\* cited by examiner

*Primary Examiner* — Paula Greene

(74) *Attorney, Agent, or Firm* — Schwegman, Lundberg & Woessner, P.A.

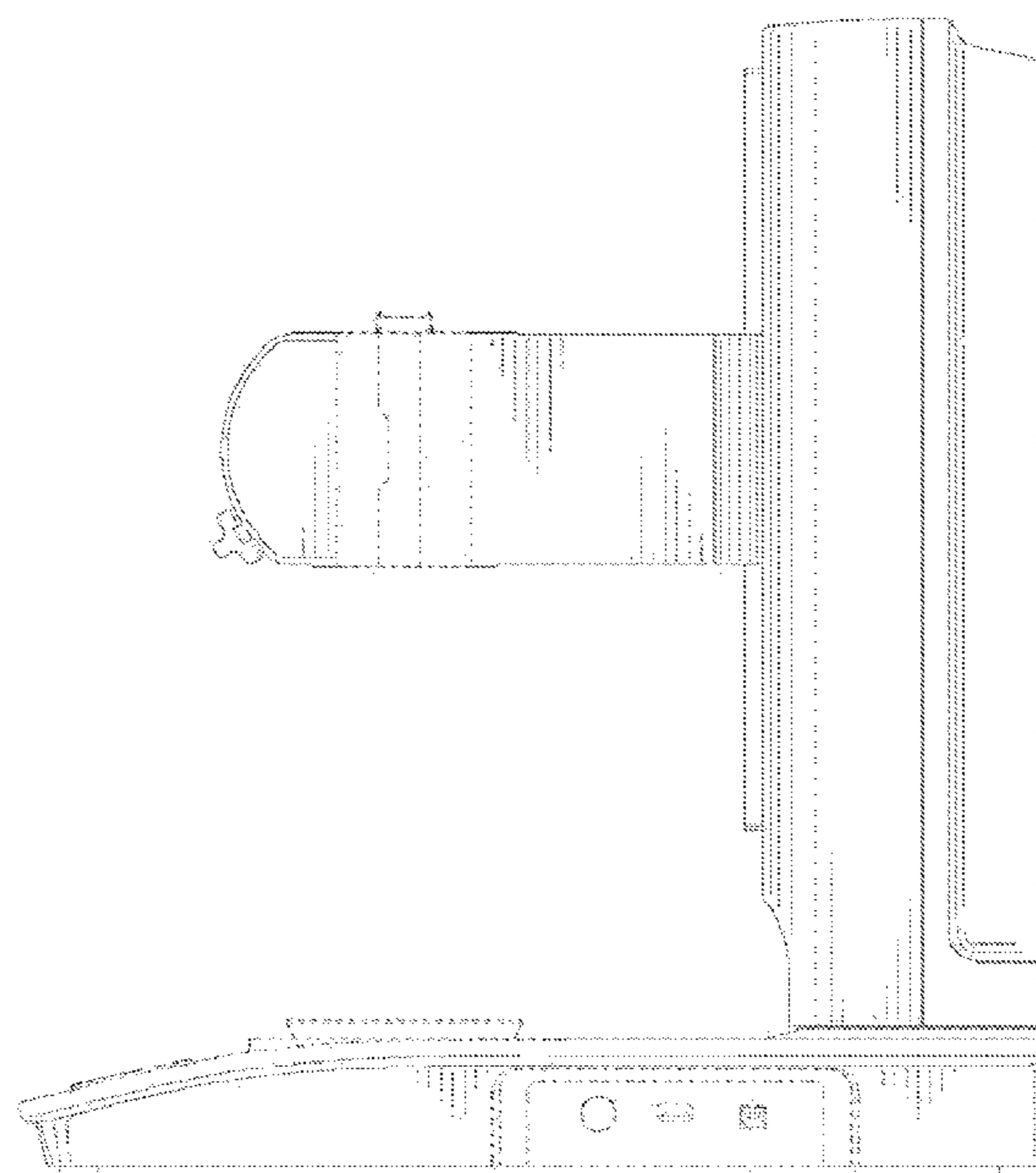
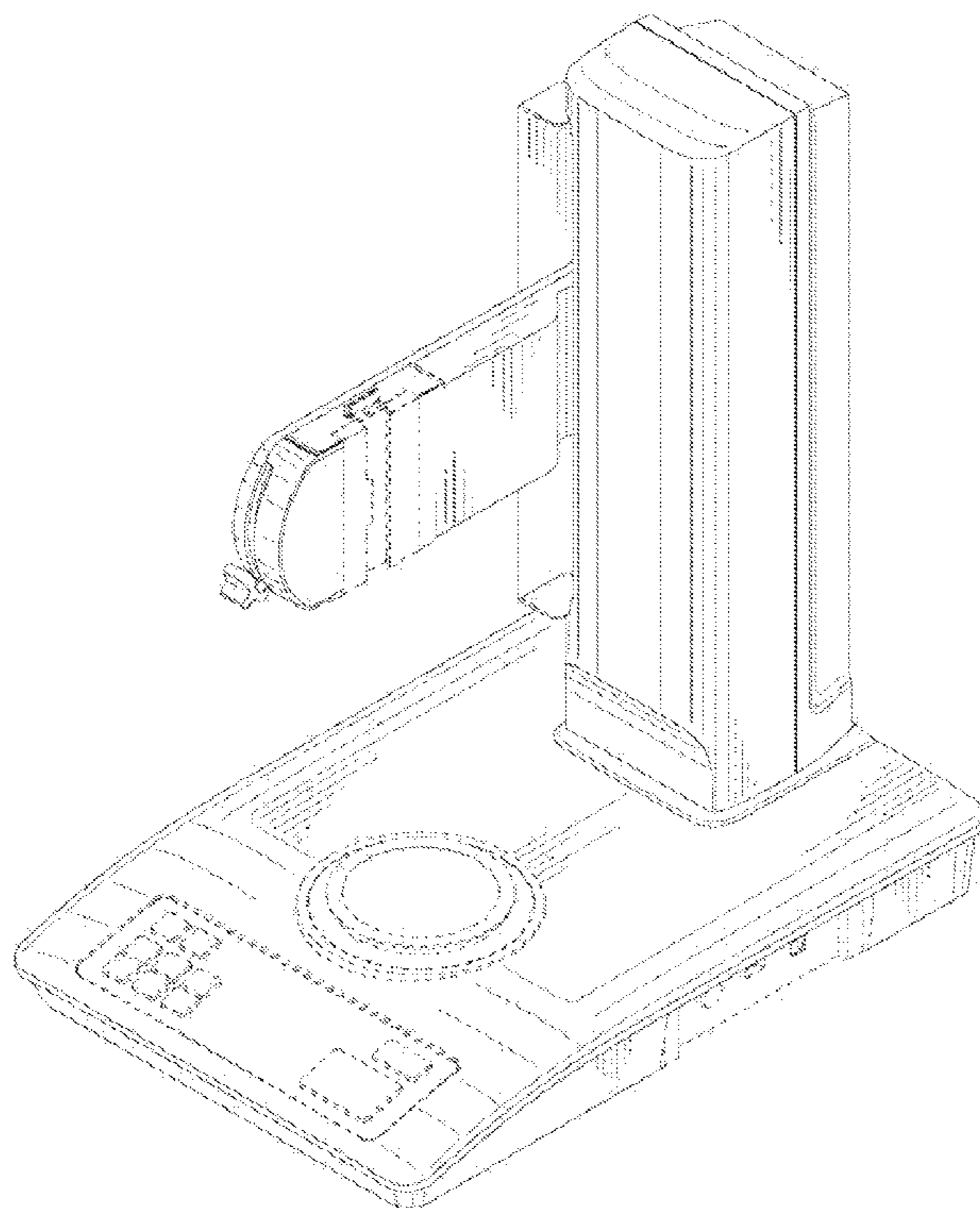
(57) **CLAIM**

The ornamental design for a support stand for a digital microscope, as shown and described.

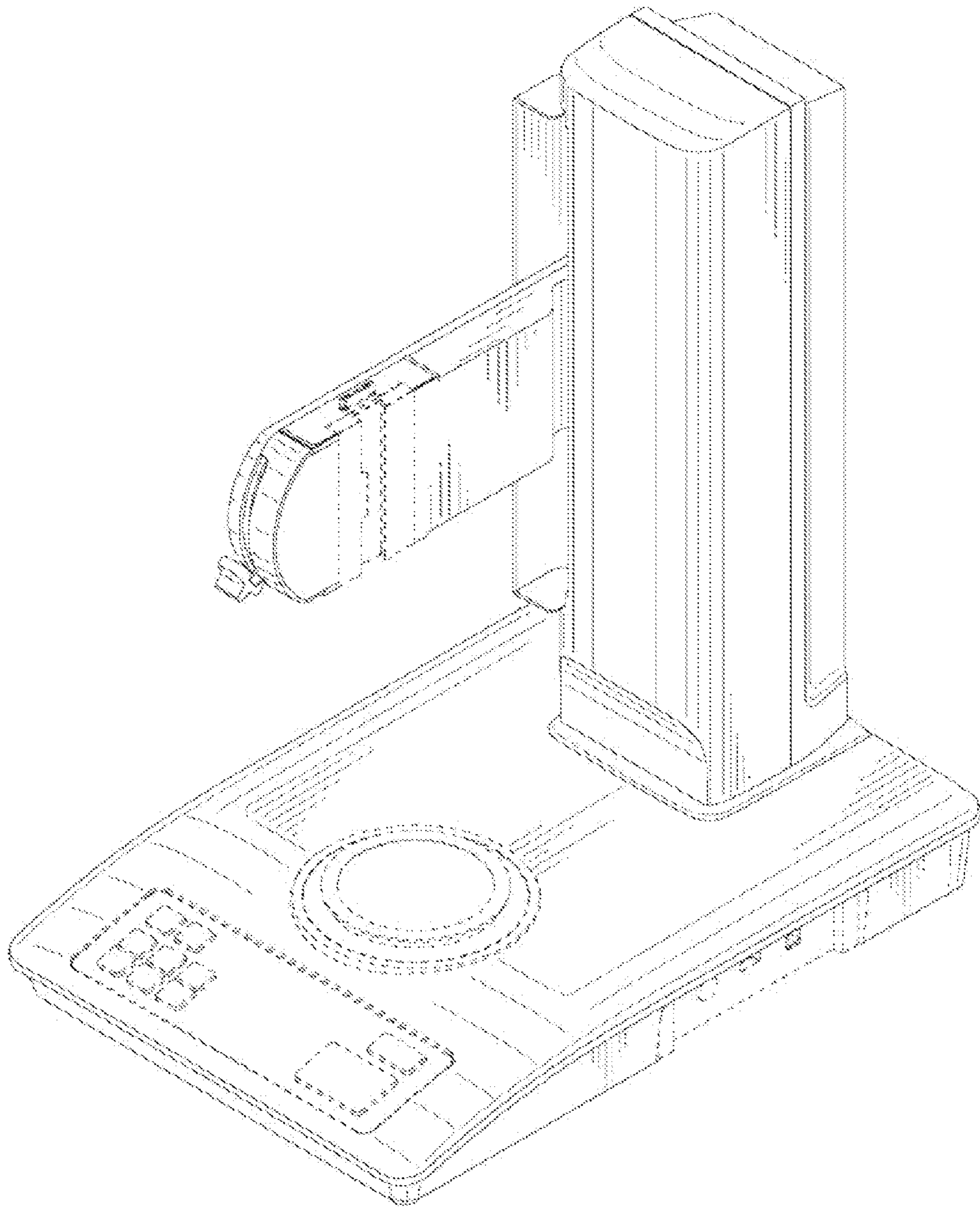
**DESCRIPTION**

FIG. 1 is a front perspective view of a support stand for a digital microscope showing our new design;  
 FIG. 2 is a rear perspective view thereof;  
 FIG. 3 is a front view thereof;  
 FIG. 4 is a rear view thereof;  
 FIG. 5 is a top plan view thereof;  
 FIG. 6 is a bottom plan view thereof;  
 FIG. 7 is a right side view thereof;  
 FIG. 8 is a left side view thereof; and,  
 FIG. 9 is a perspective view showing the article in use.  
 The features shown in broken lines in the drawings depict environmental subject matter only and form no part of the claimed design.

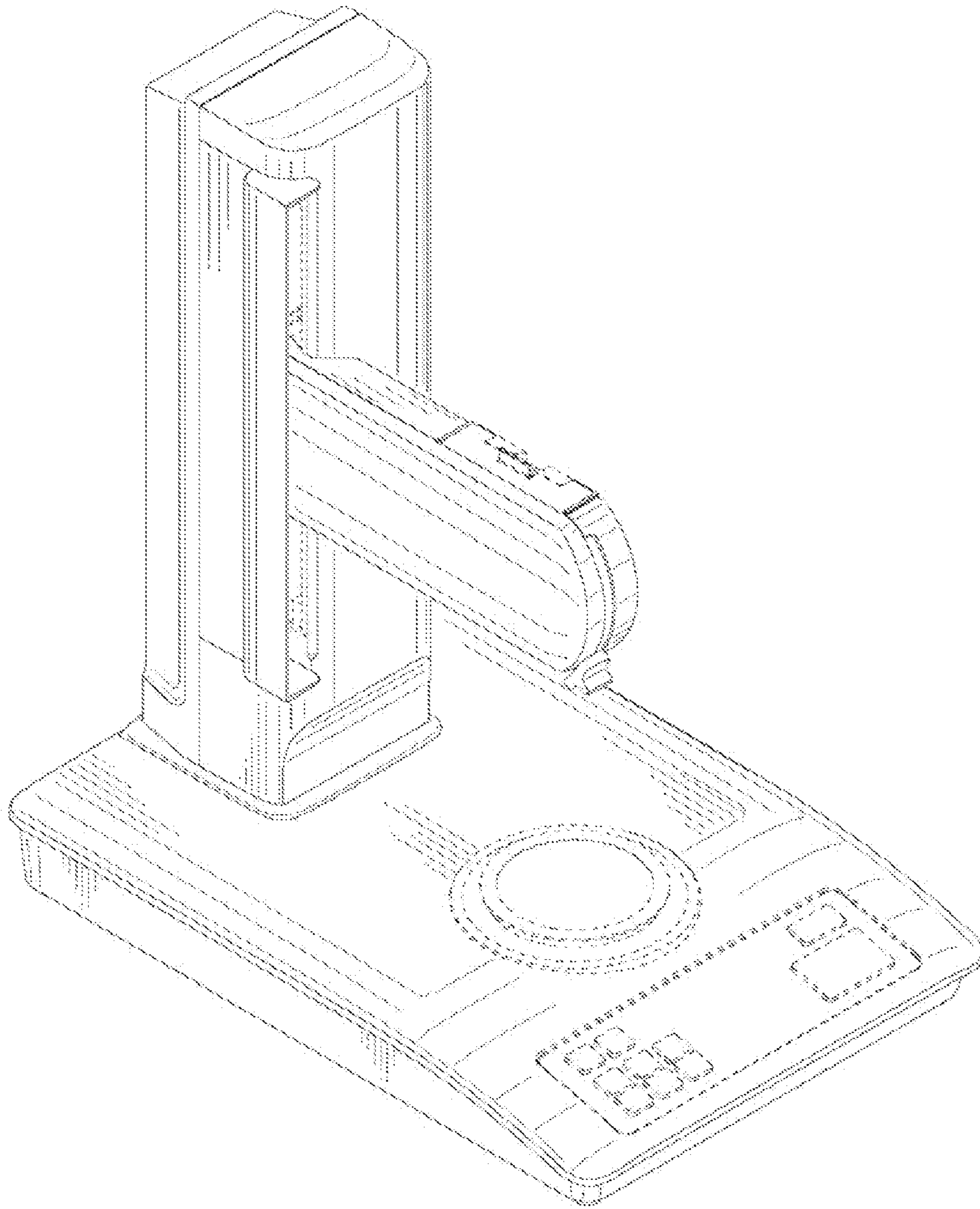
**1 Claim, 9 Drawing Sheets**



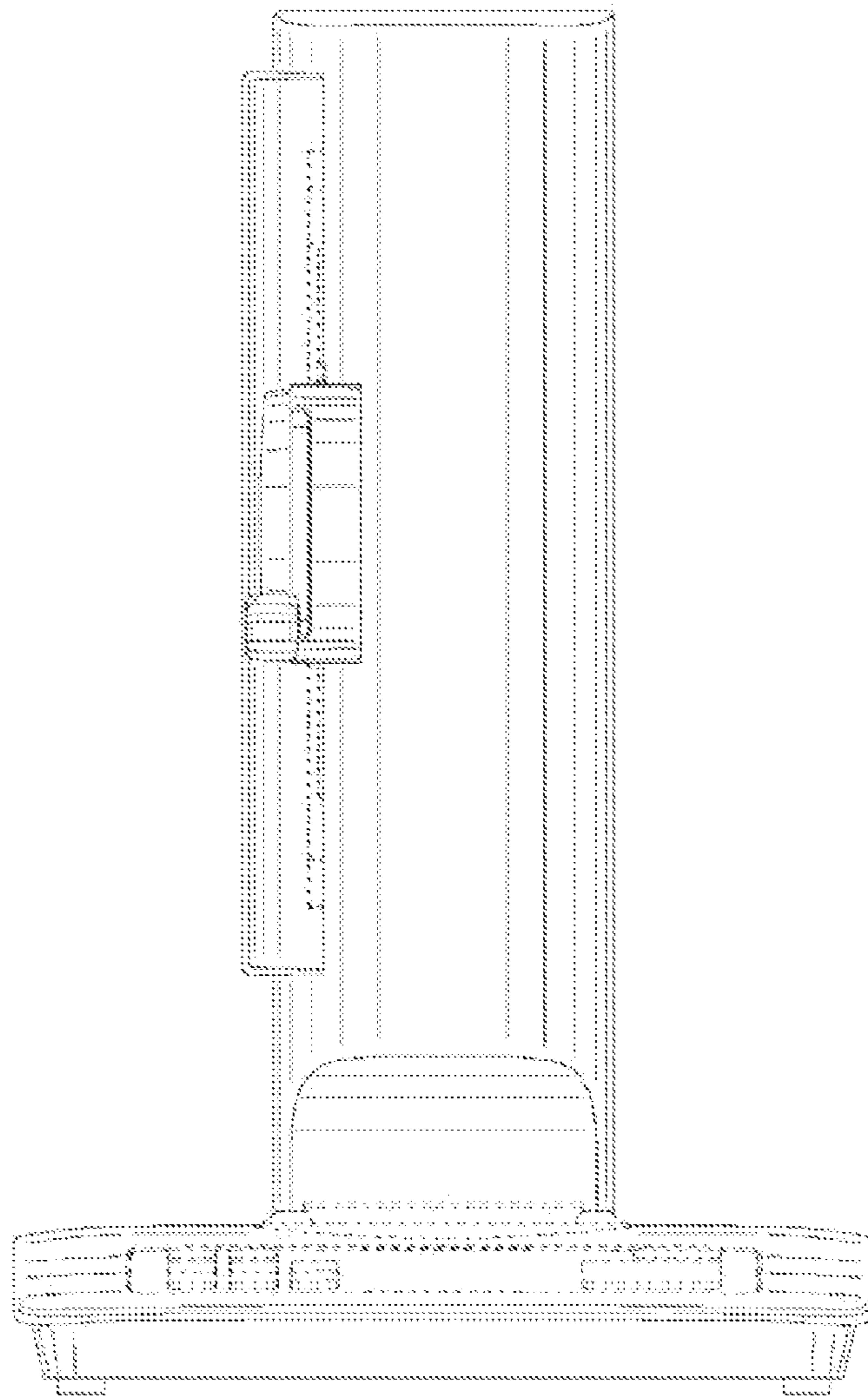
*FIG. 1*



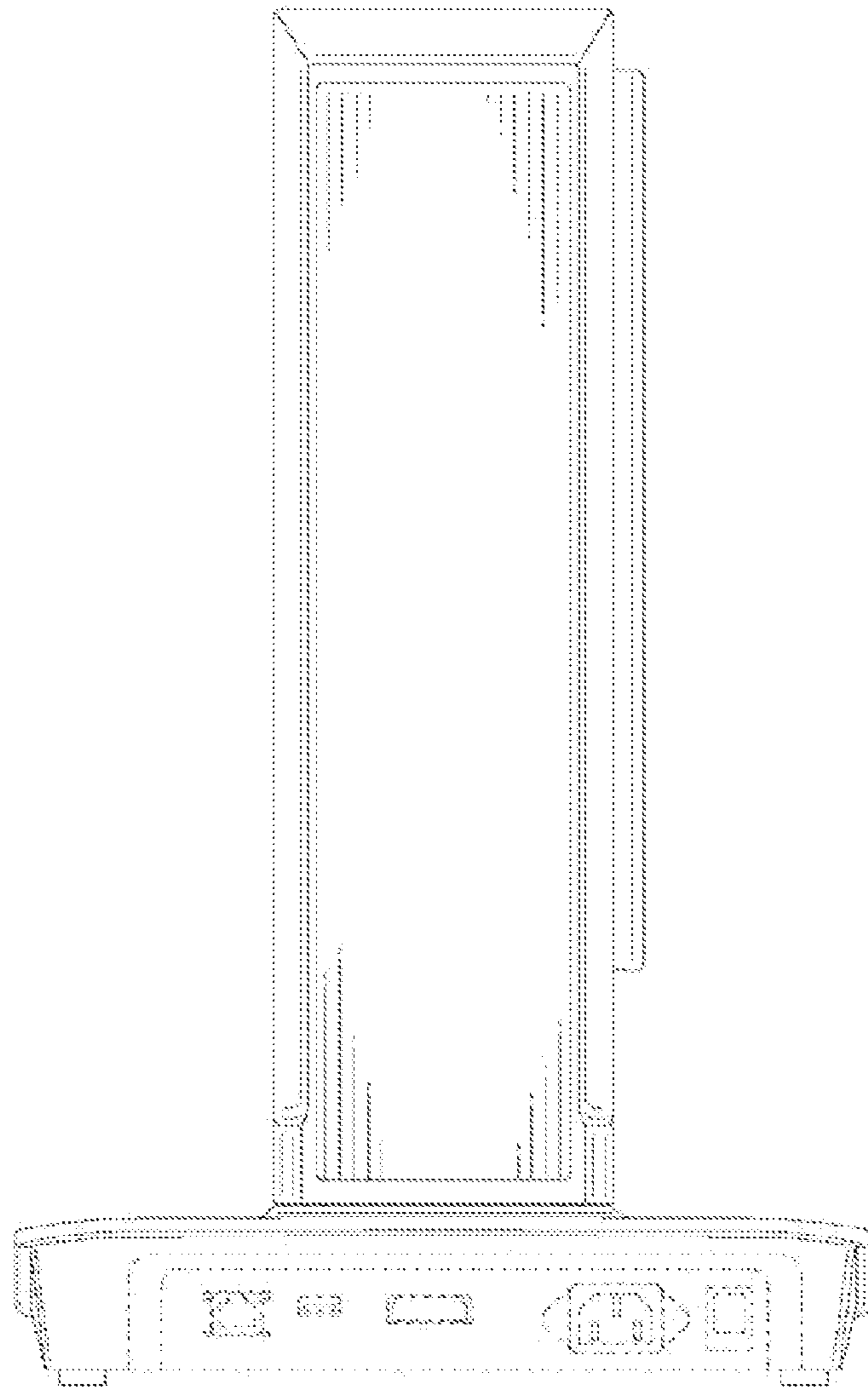
*FIG. 2*



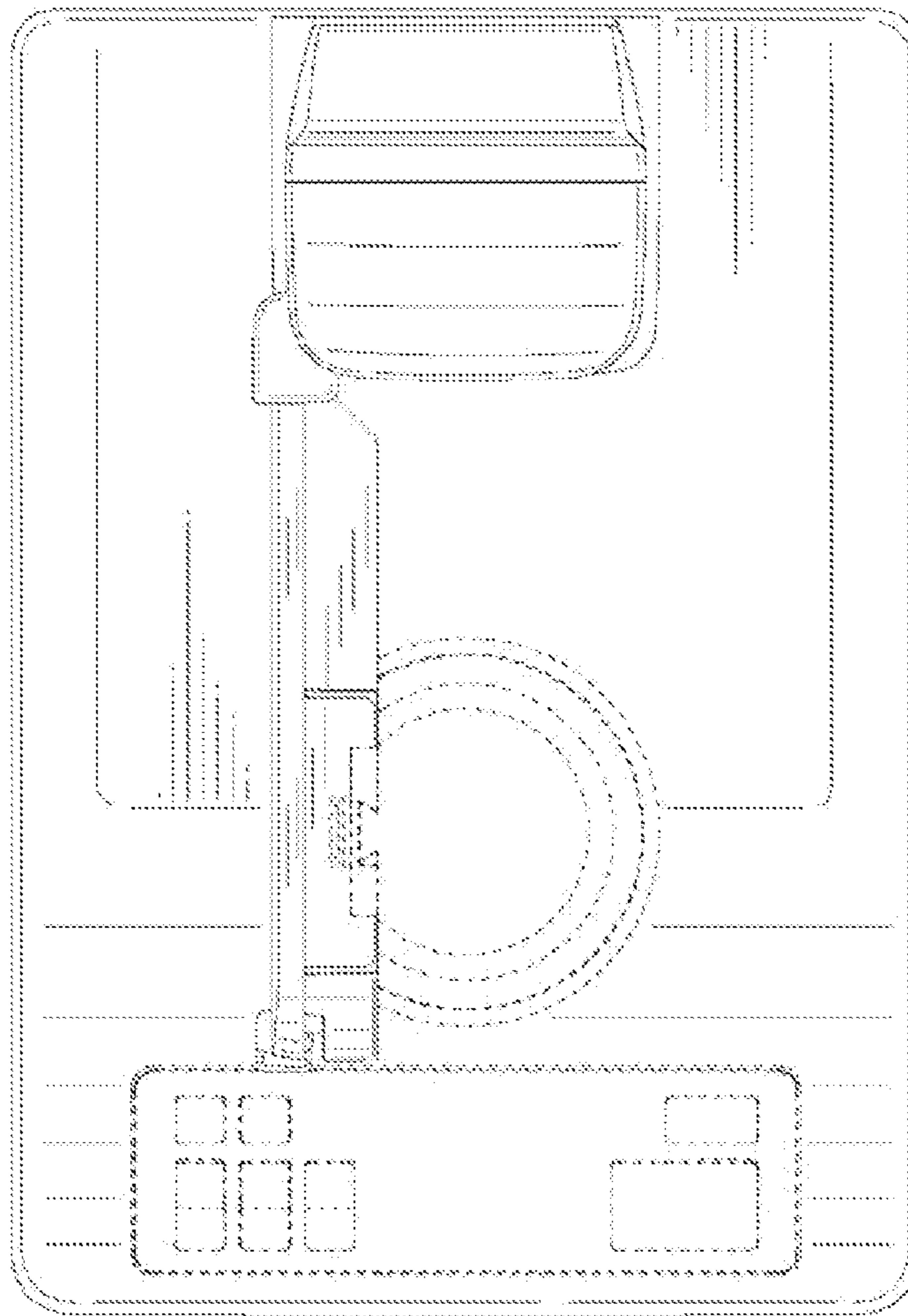
*FIG. 3*



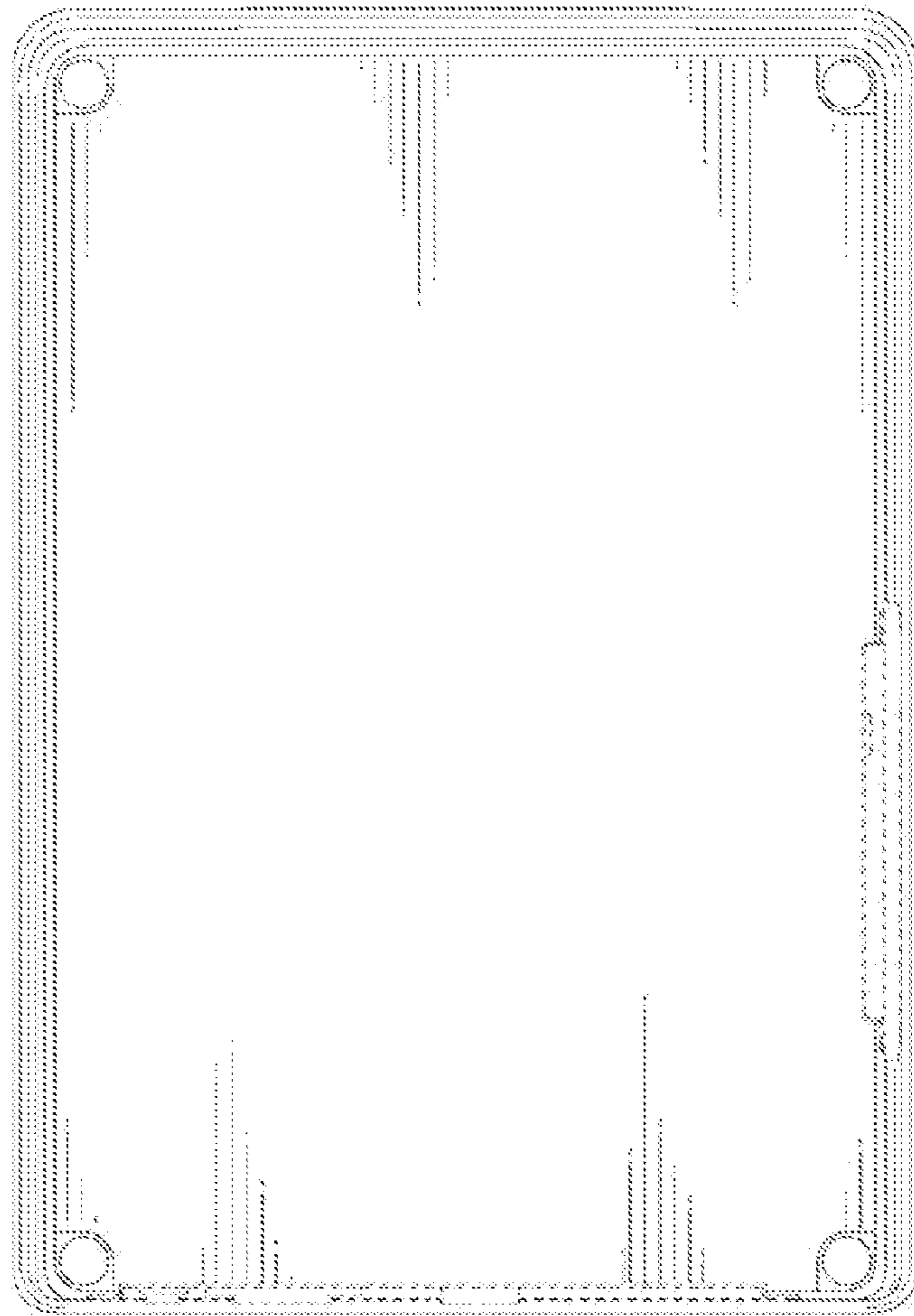
*FIG. 4*



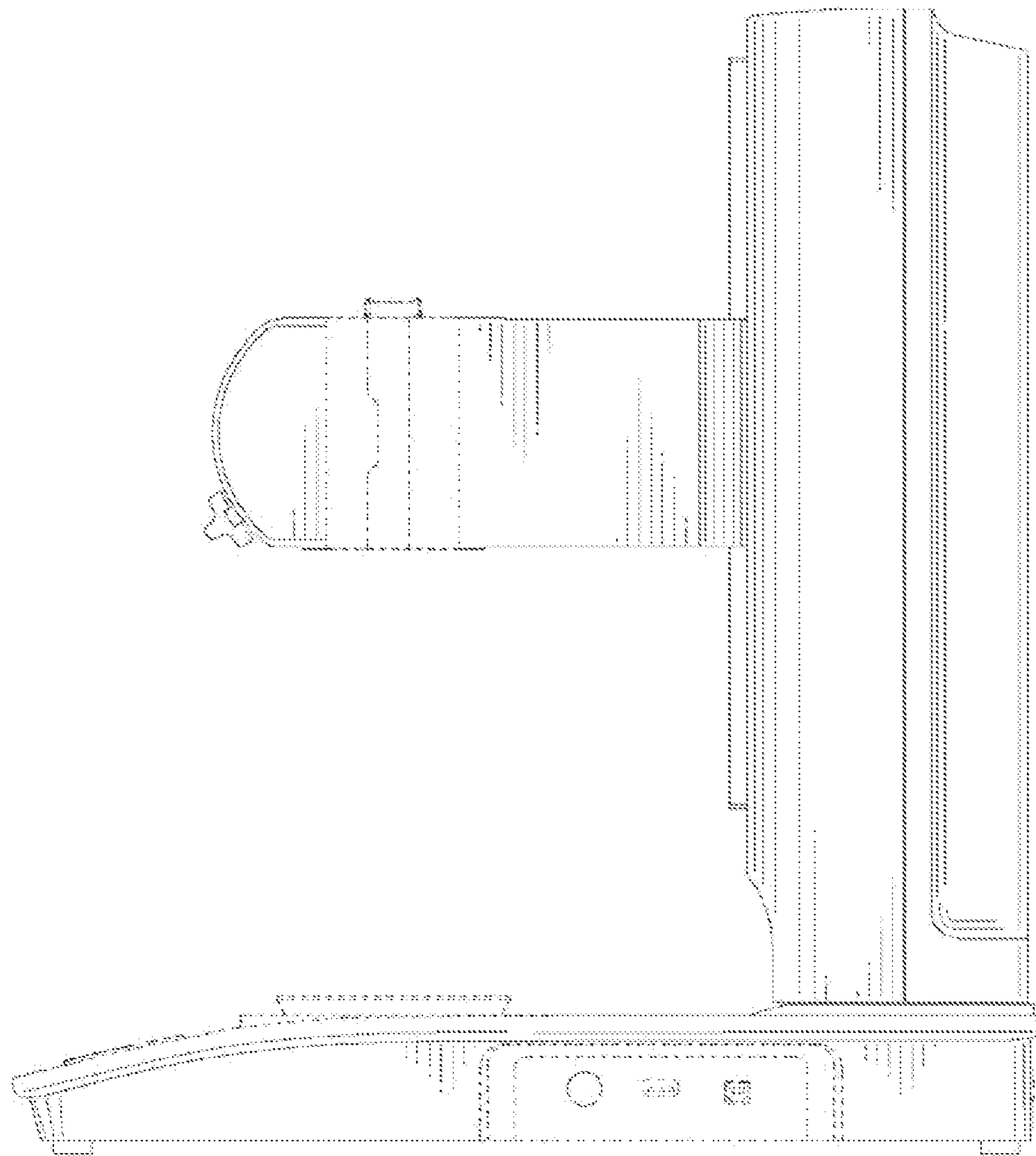
*FIG. 5*



*FIG. 6*

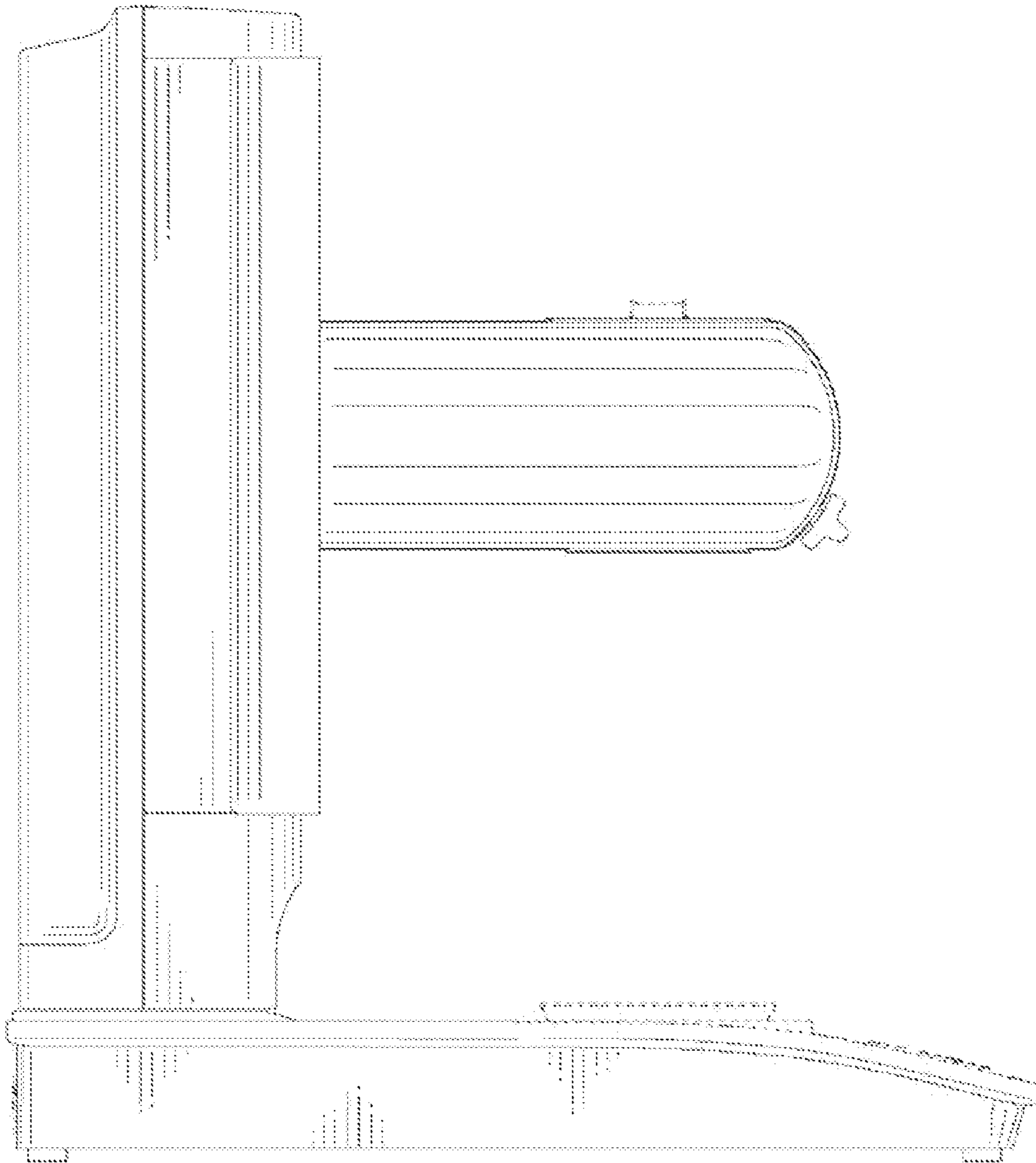


*FIG. 7*





*FIG. 8*



*FIG. 9*

