

US00D660889S

(12) **United States Design Patent**  
**Schmidt**

(10) **Patent No.:** **US D660,889 S**

(45) **Date of Patent:** **\*\* \*May 29, 2012**

(54) **STRAP ROLLER DRUM**

(76) Inventor: **George Schmidt**, Cayuga (CA)

(\* ) Notice: This patent is subject to a terminal disclaimer.

(\*\* ) Term: **14 Years**

(21) Appl. No.: **29/375,734**

(22) Filed: **Sep. 27, 2010**

(30) **Foreign Application Priority Data**

Apr. 15, 2010 (CA) ..... 134972

(51) **LOC (9) Cl.** ..... **15-09**

(52) **U.S. Cl.** ..... **D15/138**

(58) **Field of Classification Search** ..... D15/138;  
D34/33, 35; 242/396.4, 407, 587.2, 609.4,  
242/613.5; 410/100

See application file for complete search history.

(56) **References Cited**

**U.S. PATENT DOCUMENTS**

D303,118 S \* 8/1989 Cox ..... D15/139  
5,170,968 A \* 12/1992 Helmner ..... 244/137.1  
5,535,807 A \* 7/1996 Cattaneo ..... 160/319  
5,549,429 A \* 8/1996 Sergeant ..... 410/96  
5,975,455 A \* 11/1999 Alegre ..... 242/396.4  
6,227,379 B1 \* 5/2001 Nesseth ..... 210/393  
6,315,227 B1 \* 11/2001 Schoeck ..... 242/159

D469,113 S \* 1/2003 Mason ..... D15/138  
2004/0245368 A1 \* 12/2004 Kewin ..... 242/613.5  
2009/0320323 A1 \* 12/2009 Dubus ..... 34/601

\* cited by examiner

*Primary Examiner* — Patricia Palasik

(57) **CLAIM**

The ornamental design for a strap roller drum, as shown and described.

**DESCRIPTION**

FIG. 1 is a right end elevational view of the present design a strap roller drum.

FIG. 2 is a top side elevational view of the present design a strap roller drum.

FIG. 3 is a left end view of the present design a strap roller drum.

FIG. 4 is a right end elevational view of the present design a strap roller drum.

FIG. 5 is a left side elevational view of the present design a strap roller drum.

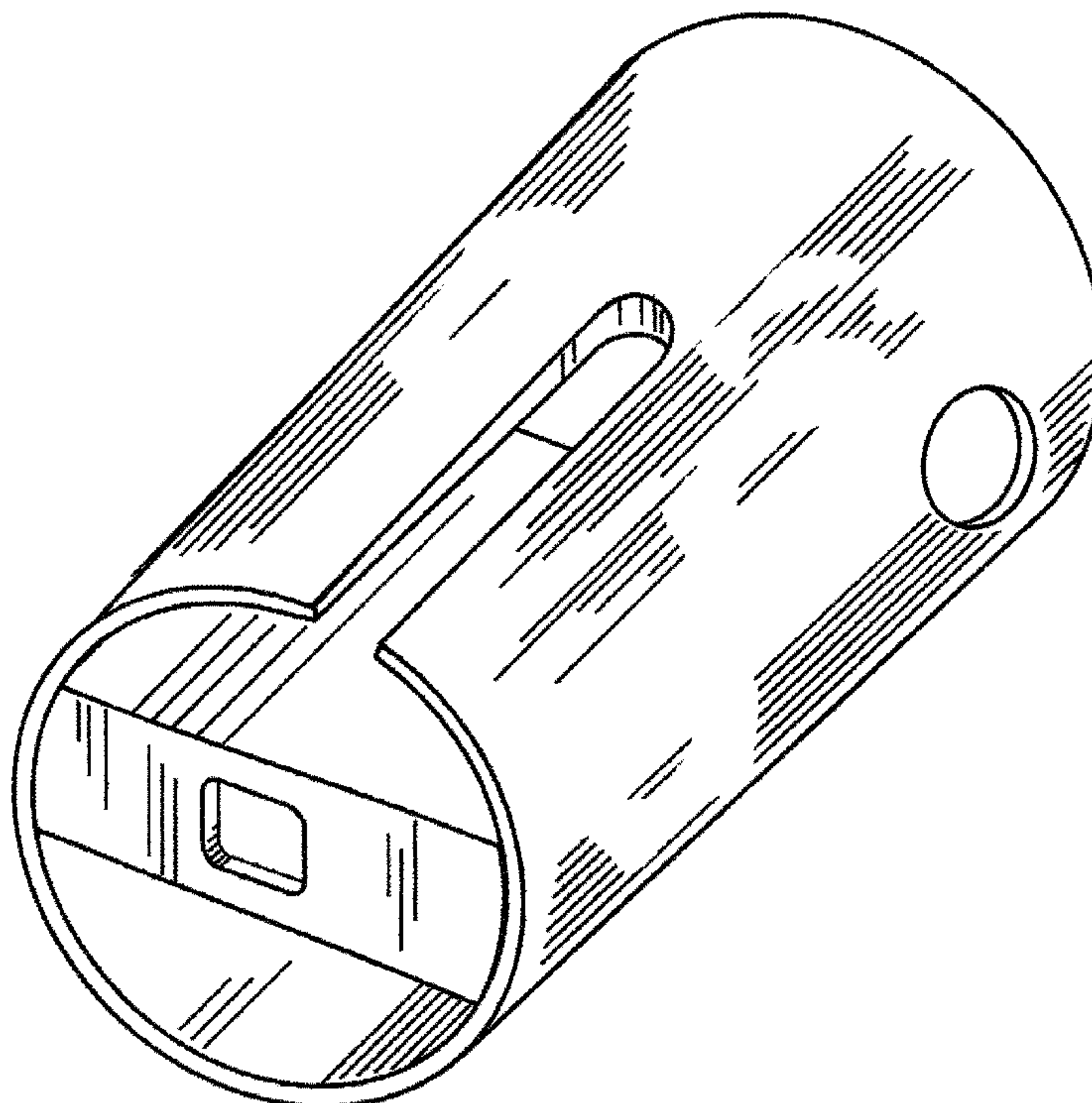
FIG. 6 is a left end elevational view of the present design a strap roller drum.

FIG. 7 is a top right side perspective view of the present design a strap roller drum.

FIG. 8 is a top left side perspective view of the present design a strap roller drum; and,

FIG. 9 is a right end perspective view of the present design a strap roller drum.

**1 Claim, 4 Drawing Sheets**



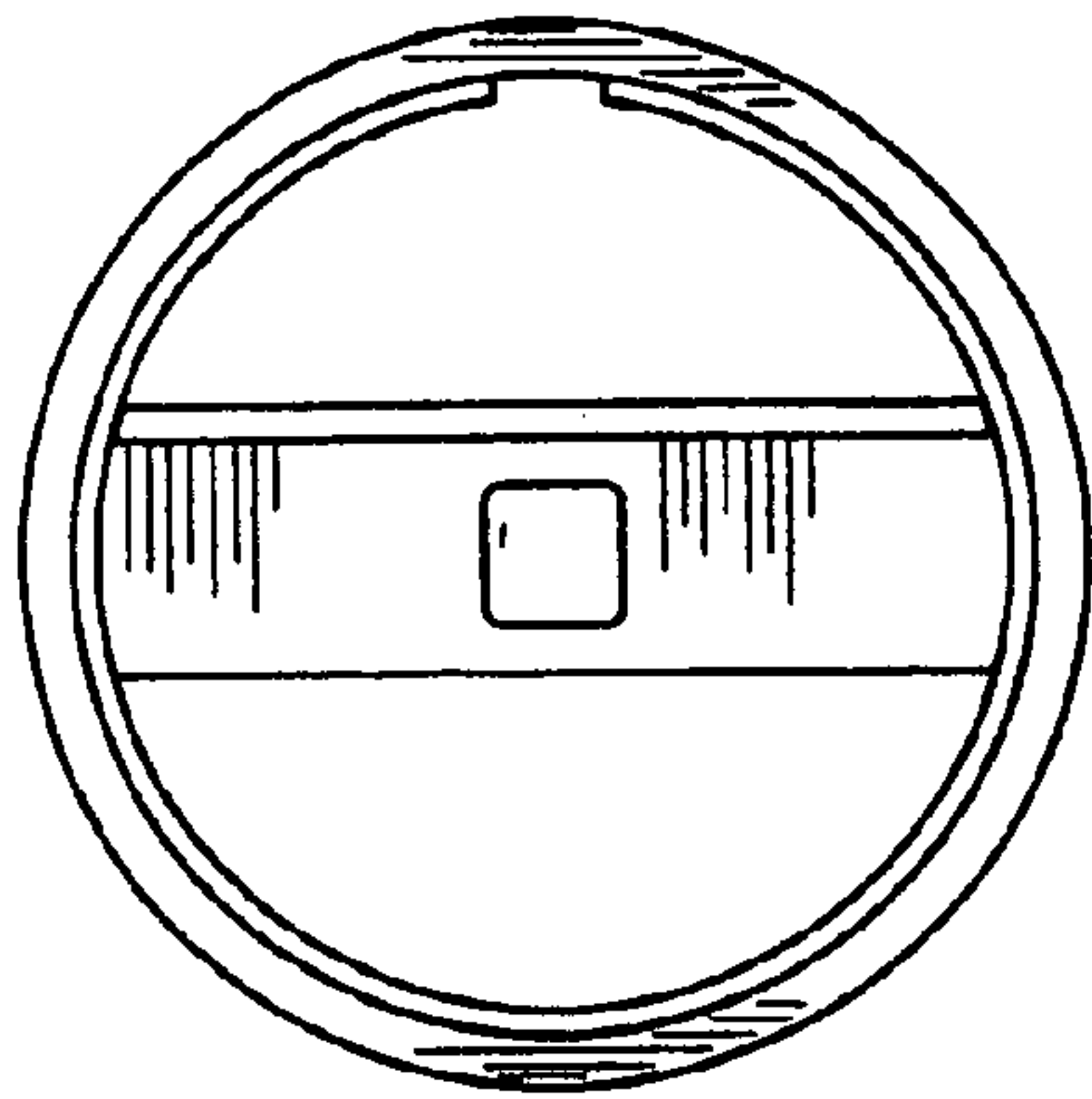


Fig-1

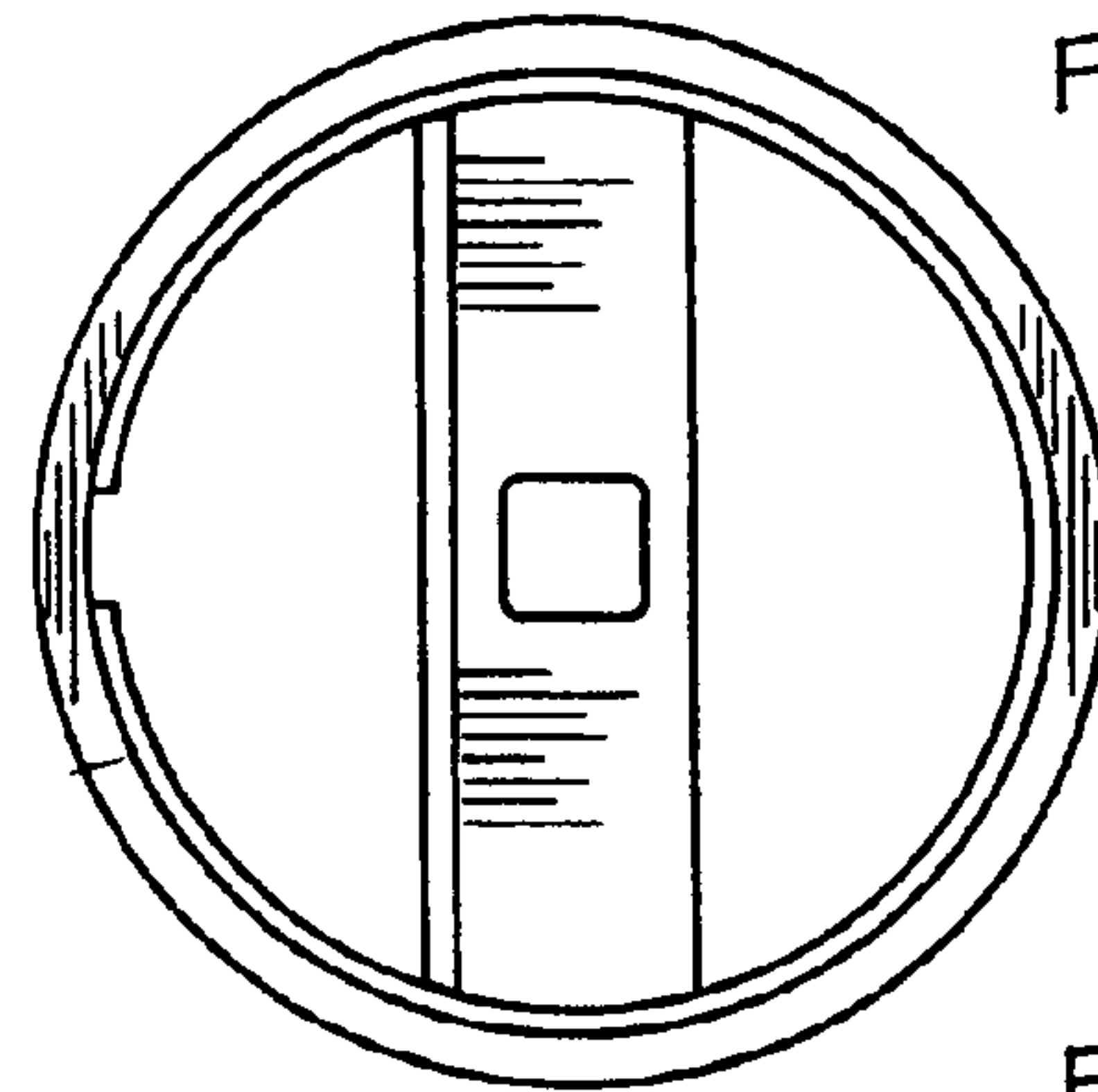


Fig-4

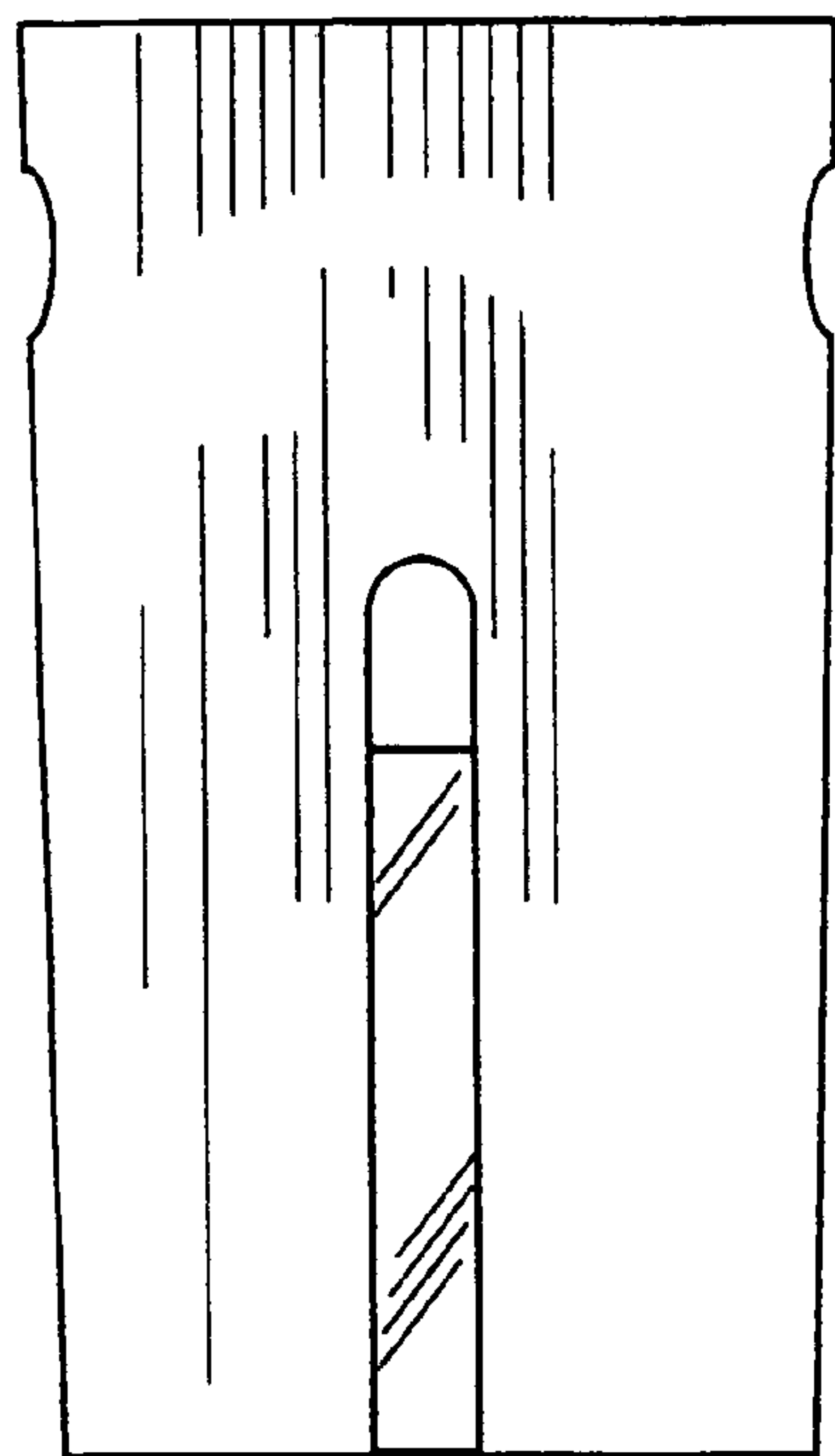


Fig-2

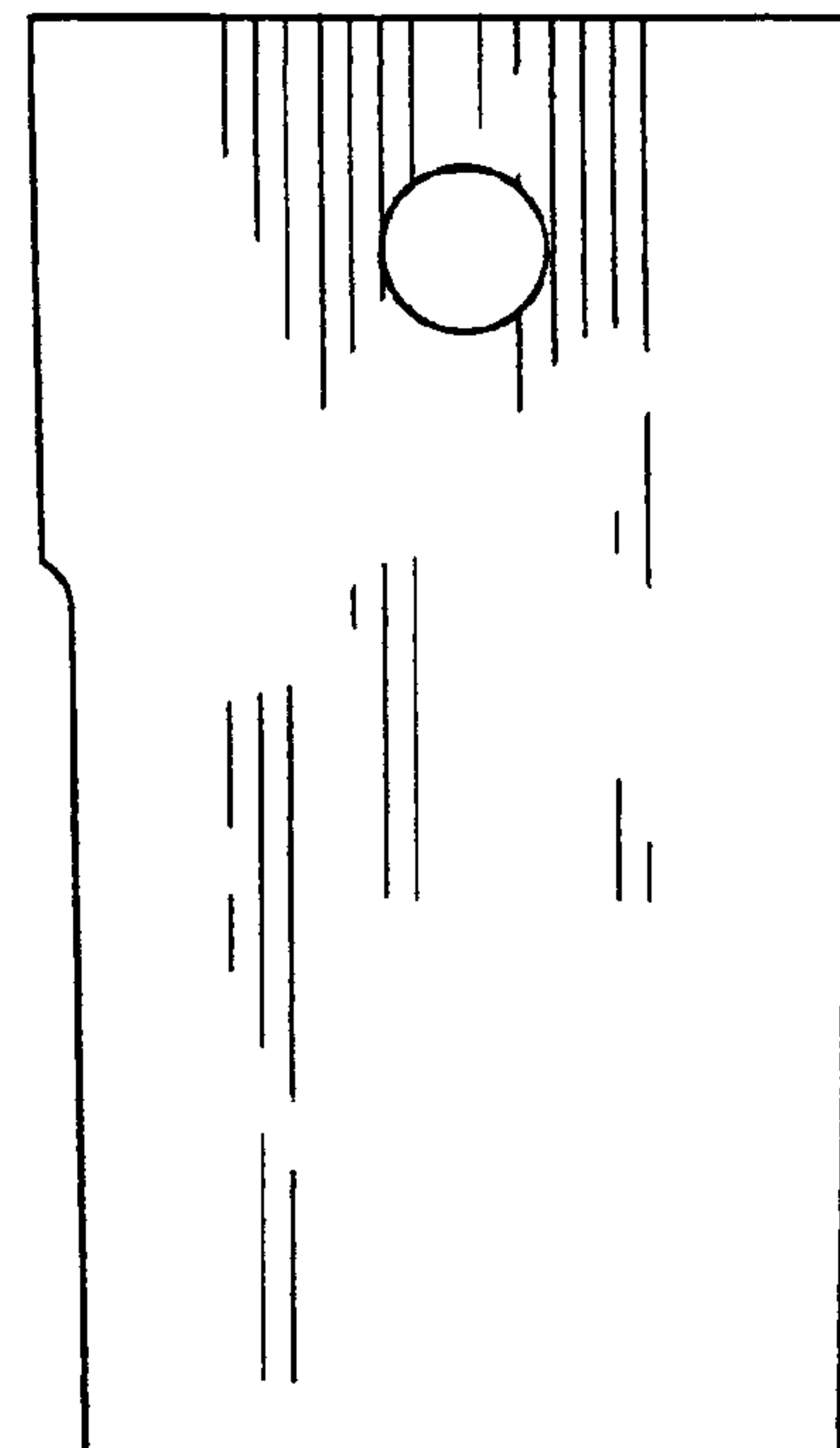


Fig-5

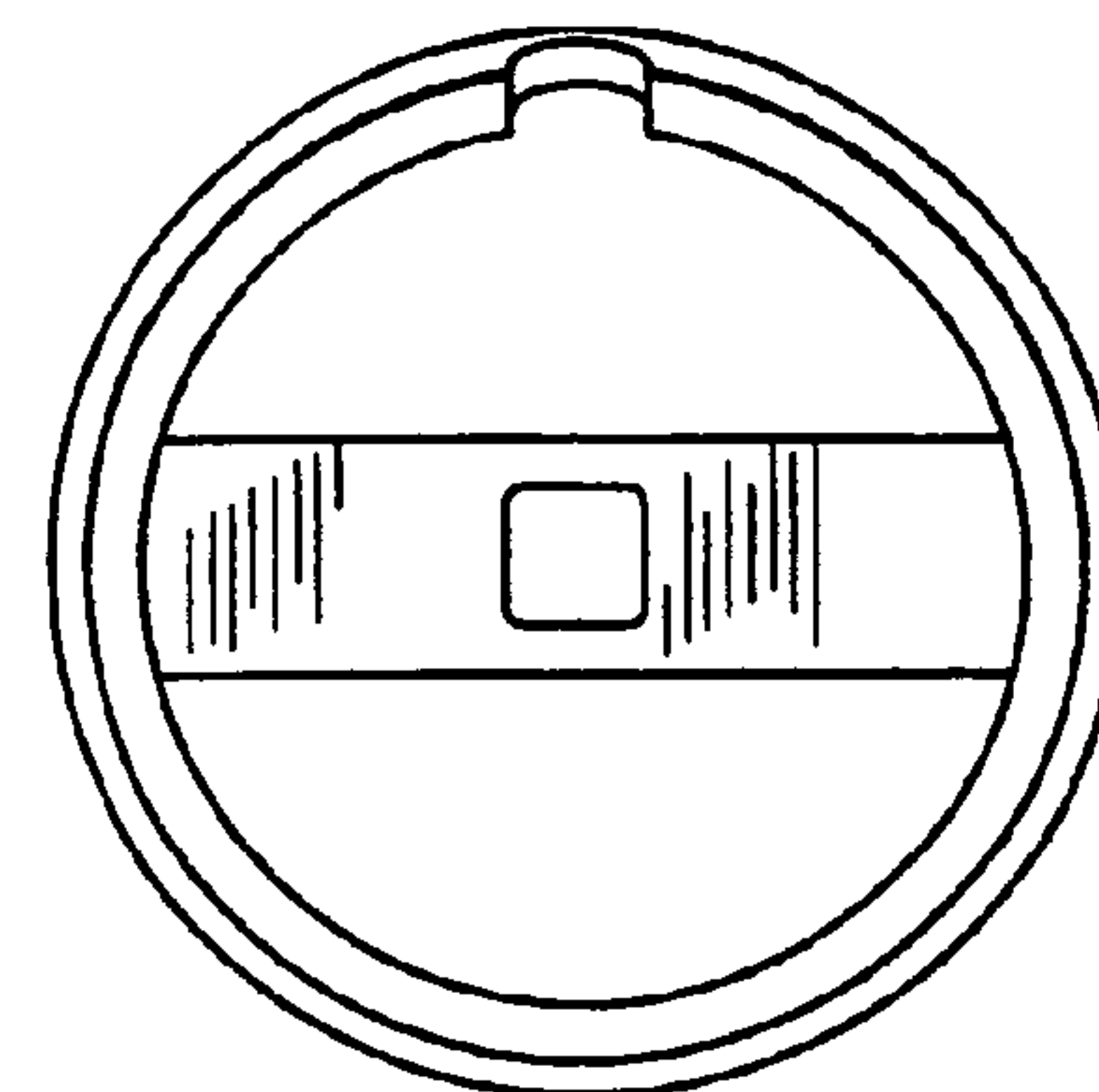


Fig-3

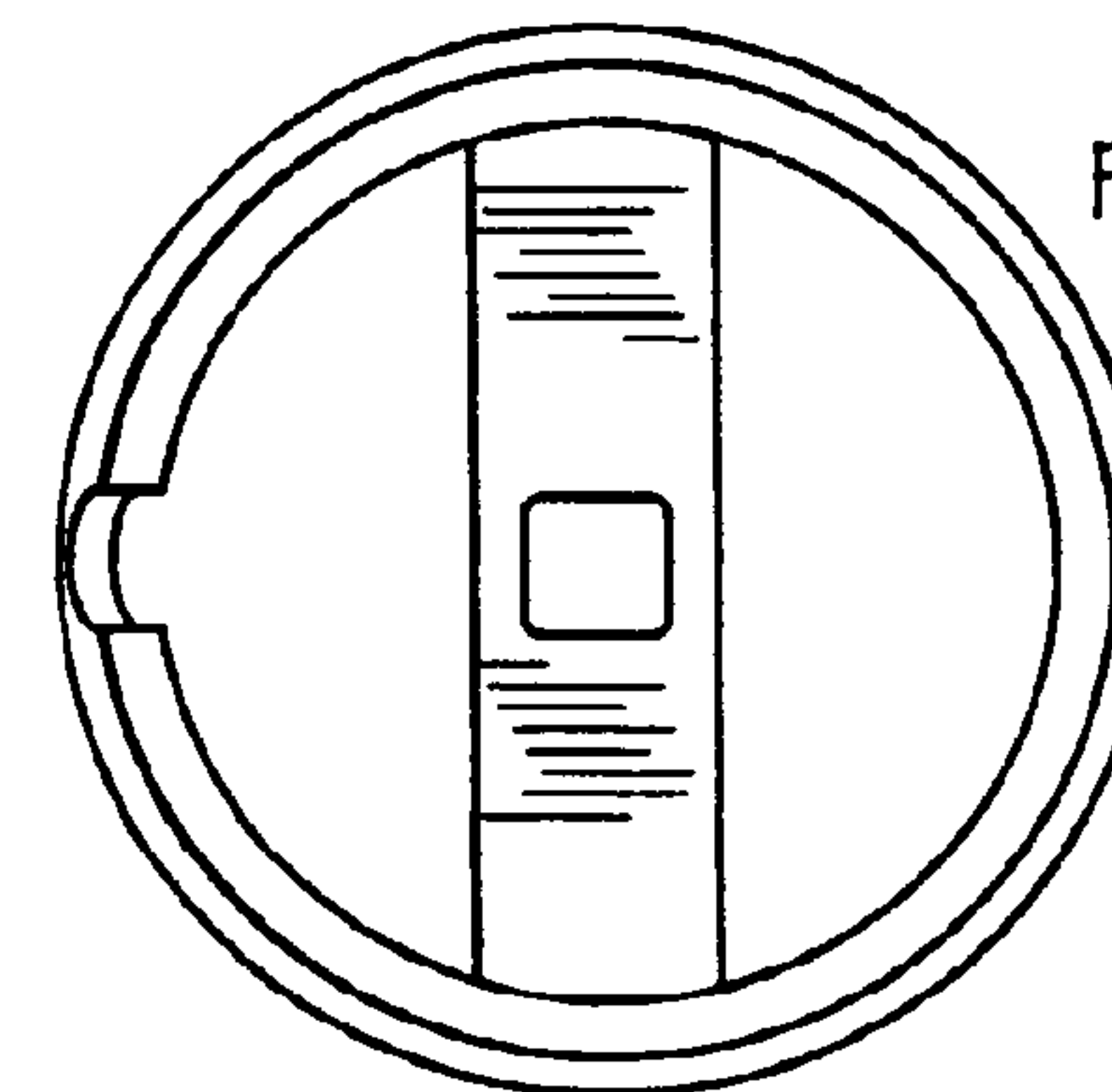


Fig-6

Fig - 7

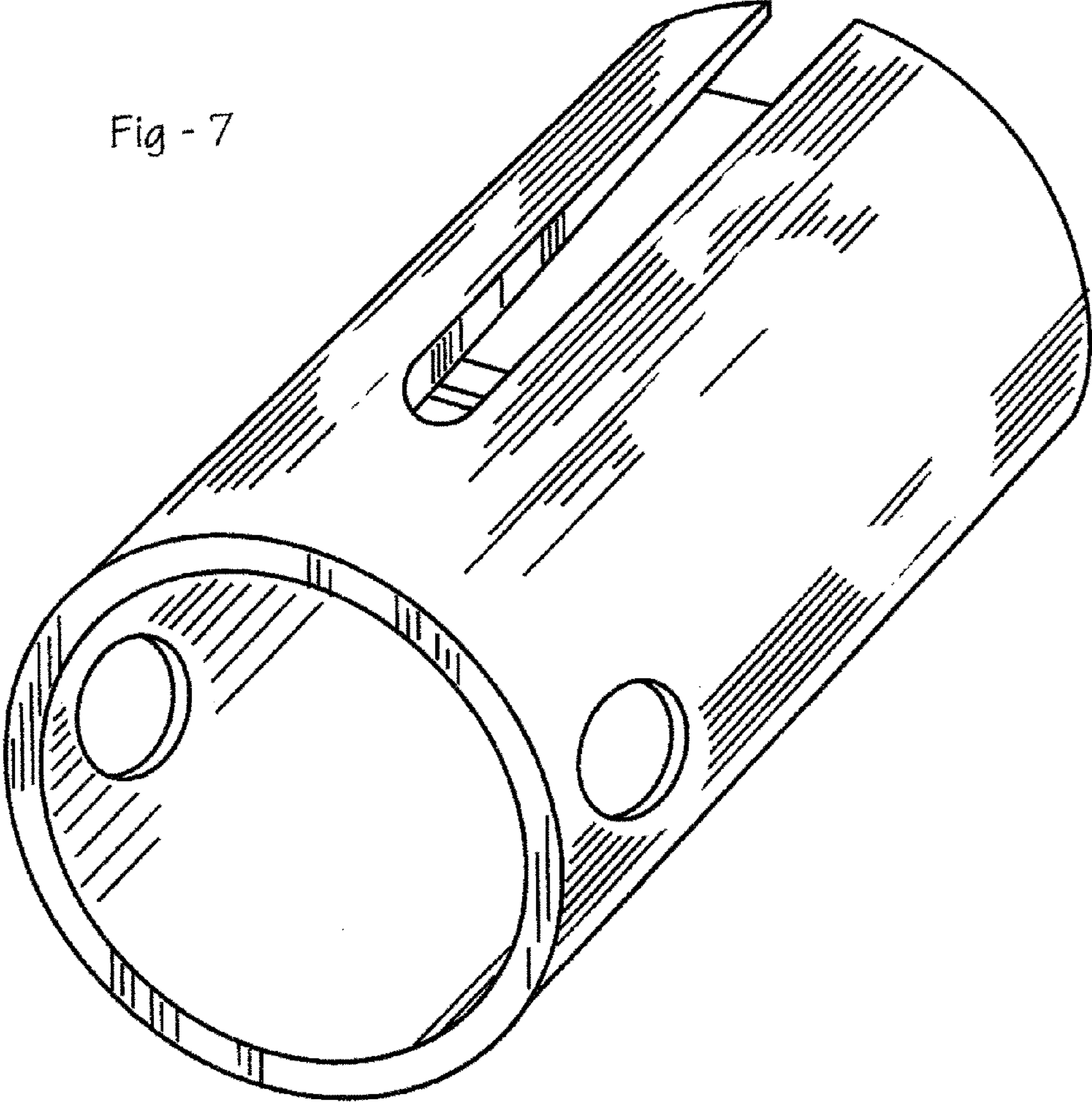




Fig. 8

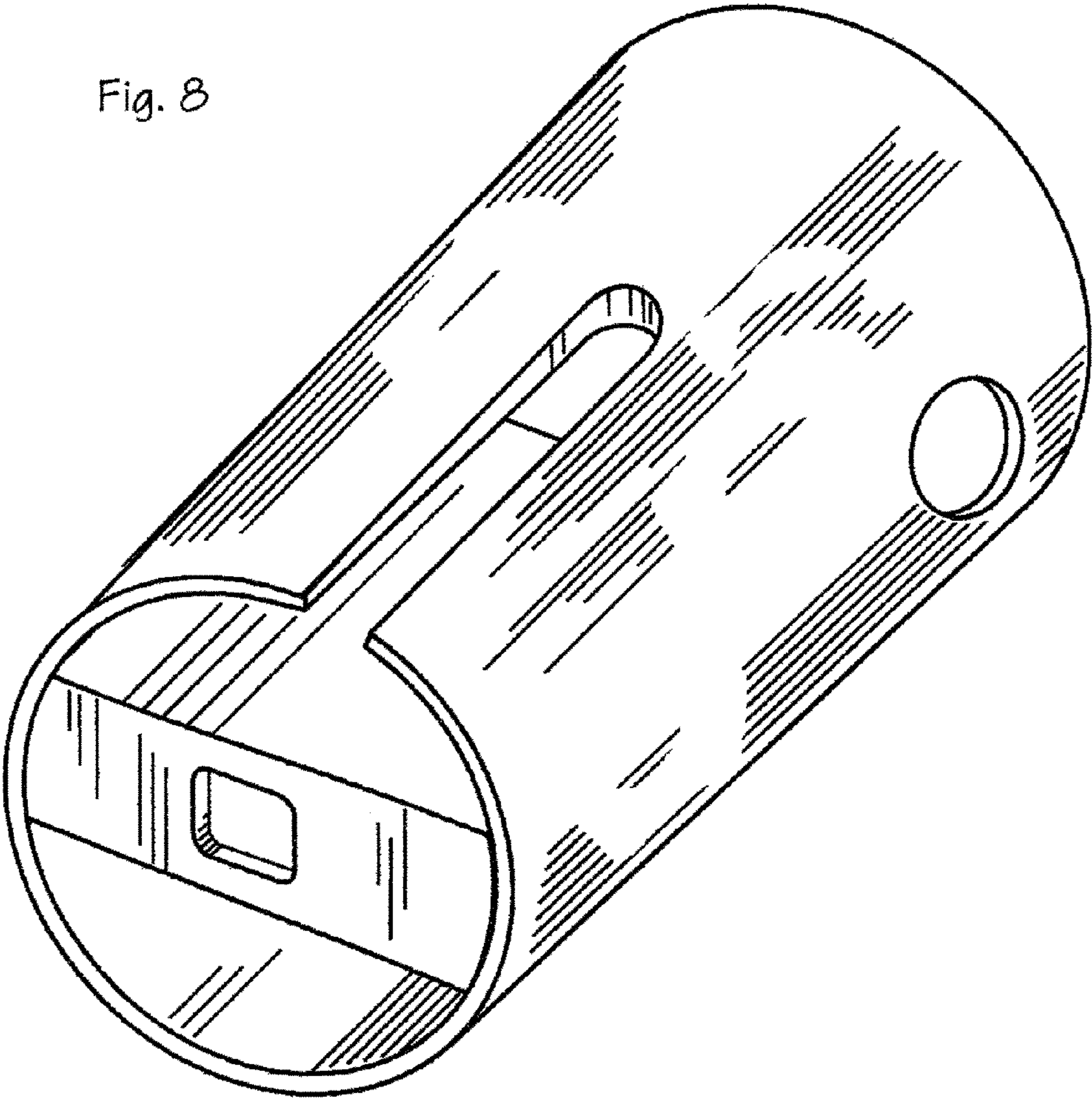


Fig. 9

