

US00D660887S

(12) **United States Design Patent**
Schmitz et al.

(10) **Patent No.:** **US D660,887 S**
(45) **Date of Patent:** **** May 29, 2012**

(54) **CRUSHER BLOCK FOR PARTICULATE SIZE REDUCTION SYSTEM**

FOREIGN PATENT DOCUMENTS

EP 912247 B1 5/1999
(Continued)

(75) Inventors: **William Schmitz**, Clymer, NY (US);
Daniel P. Smith, Spencer, MA (US);
Craig A. Penterson, Sutton, MA (US);
Richard N. DuVerger, Danielson, CT (US);
Qingsheng Lin, Holden, MA (US)

Primary Examiner — Patricia Palasik
(74) *Attorney, Agent, or Firm* — Edwards Wildman Palmer LLP; Joshua L. Jones

(73) Assignee: **Riley Power Inc.**, Worcester, MA (US)

(57) **CLAIM**
The ornamental design for crusher block for particulate size reduction system, as shown and described in the attached specification.

(**) Term: **14 Years**

DESCRIPTION

(21) Appl. No.: **29/388,211**

(22) Filed: **Mar. 25, 2011**

Related U.S. Application Data

(60) Continuation of application No. 12/545,550, filed on Aug. 21, 2009, now Pat. No. 7,913,941, which is a division of application No. 11/818,574, filed on Jun. 15, 2007, now Pat. No. 7,748,655.

(51) **LOC (9) Cl.** **15-09**

(52) **U.S. Cl.** **D15/123**

(58) **Field of Classification Search** D15/123,
D15/126, 138, 139; 209/134, 139.1, 713;
241/52, 56, 61, 79.1, 80, 82, 188.1, 188.2,
241/190, 194, 197, 300; 251/214, 305; 277/399;
384/147, 207

See application file for complete search history.

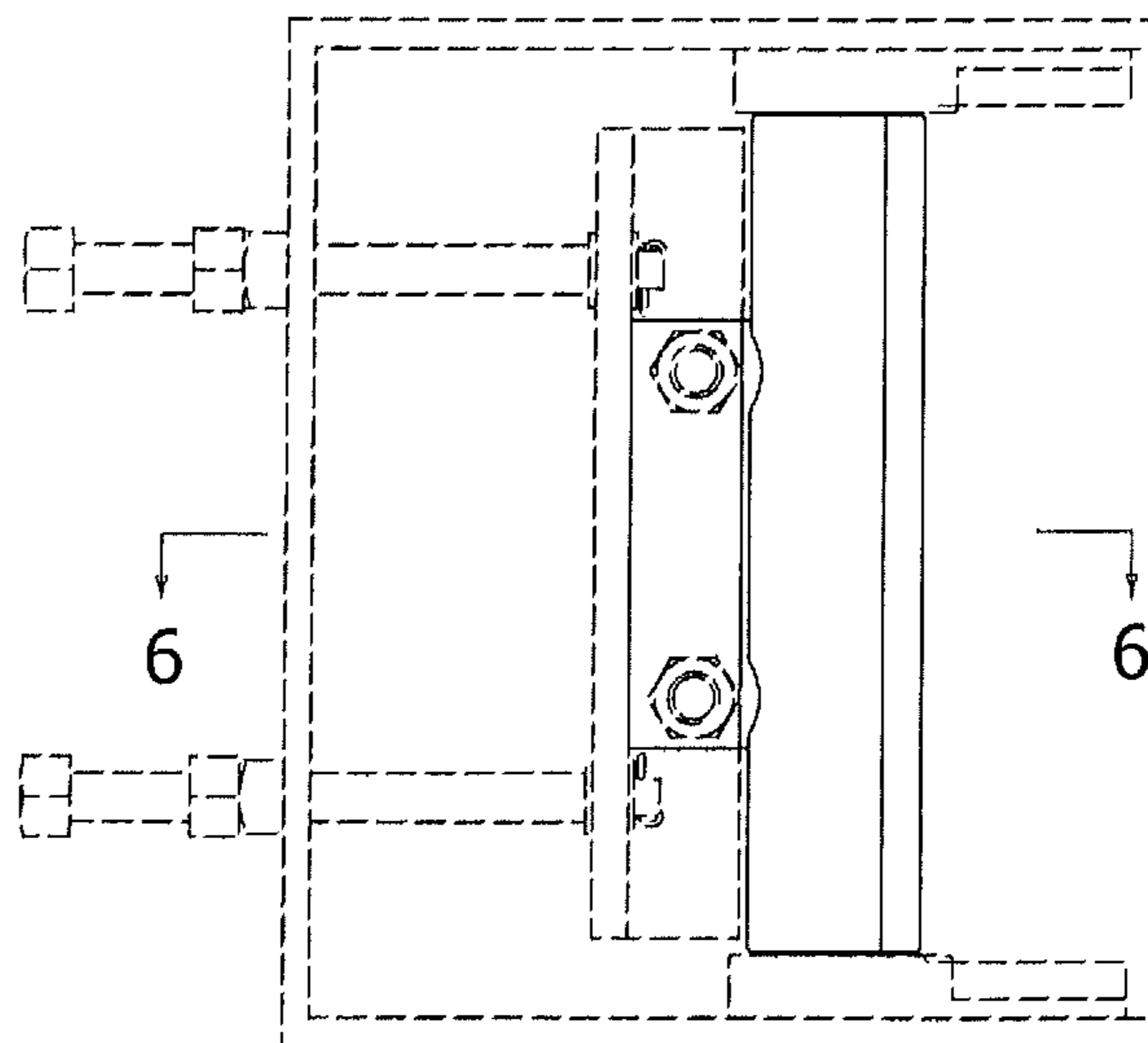
(56) **References Cited**

U.S. PATENT DOCUMENTS

850,988 A	4/1907	Steimel	241/189.1
2,185,331 A	1/1940	Conway	241/286
2,734,686 A	2/1956	Oberhellman	
2,962,233 A	11/1960	Chryst, Jr. et al.	
4,326,674 A	4/1982	Braun et al.	

(Continued)

1 Claim, 3 Drawing Sheets



US D660,887 S

Page 2

U.S. PATENT DOCUMENTS

4,848,682 A 7/1989 Scheler 241/190
4,903,904 A 2/1990 Steimel 241/154
5,257,743 A 11/1993 Brown, Jr.
5,873,156 A * 2/1999 Wark 29/401.1
6,237,865 B1 5/2001 Luttermann et al.
6,575,303 B1 6/2003 Brock et al.
7,028,931 B2 4/2006 Lin et al.
7,240,868 B2 7/2007 Lin et al.
7,311,281 B2 * 12/2007 Schmitz et al. 241/188.2
D575,807 S * 8/2008 Lin et al. D15/123
7,575,184 B2 * 8/2009 Reed et al. 241/30
7,748,655 B2 * 7/2010 Schmitz et al. 241/188.1
2006/0180685 A1 * 8/2006 Lin et al. 241/79.1

2008/0308660 A1 * 12/2008 Schmitz et al. 241/27
2009/0039185 A1 * 2/2009 Hiller, Sr. 241/27
2009/0140086 A1 * 6/2009 Thiel 241/27
2009/0308959 A1 * 12/2009 Schmitz et al. 241/30
2010/0059610 A1 * 3/2010 Lehtonen et al. 241/30
2010/0163657 A1 * 7/2010 Lehtonen et al. 241/30
2010/0193616 A1 * 8/2010 Berger et al. 241/30
2010/0219270 A1 * 9/2010 Kerns 241/20
2011/0068203 A1 * 3/2011 Hoffmann et al. 241/30

FOREIGN PATENT DOCUMENTS

WO WO-97/39828 A1 10/1997
WO WO-99/47263 A1 9/1999

* cited by examiner

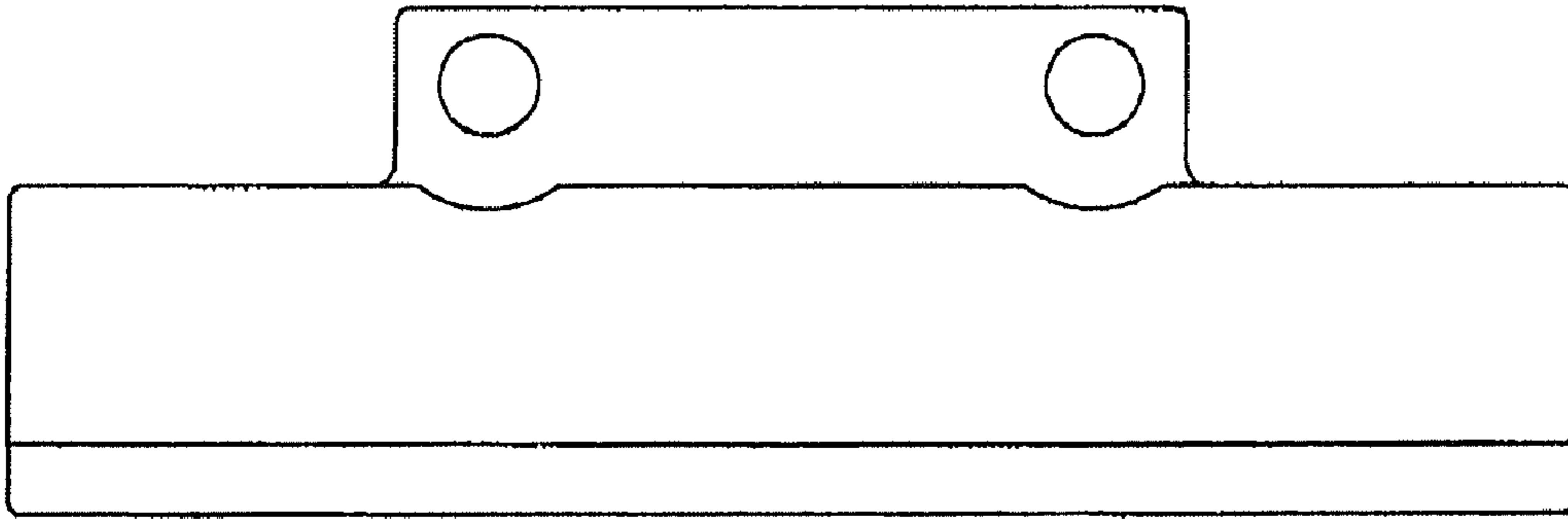


FIG. 1

FIG. 2

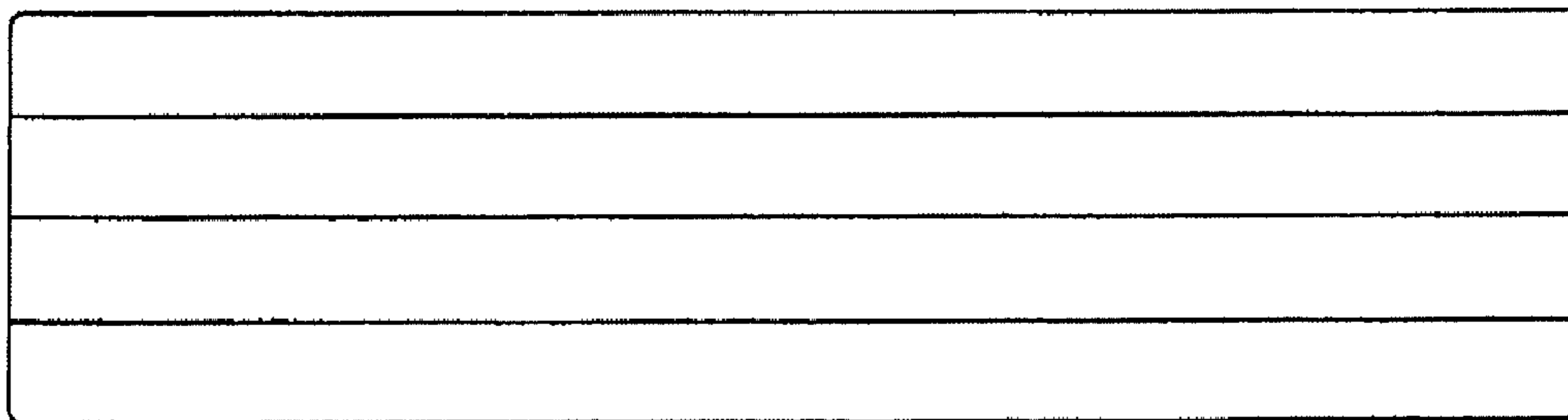
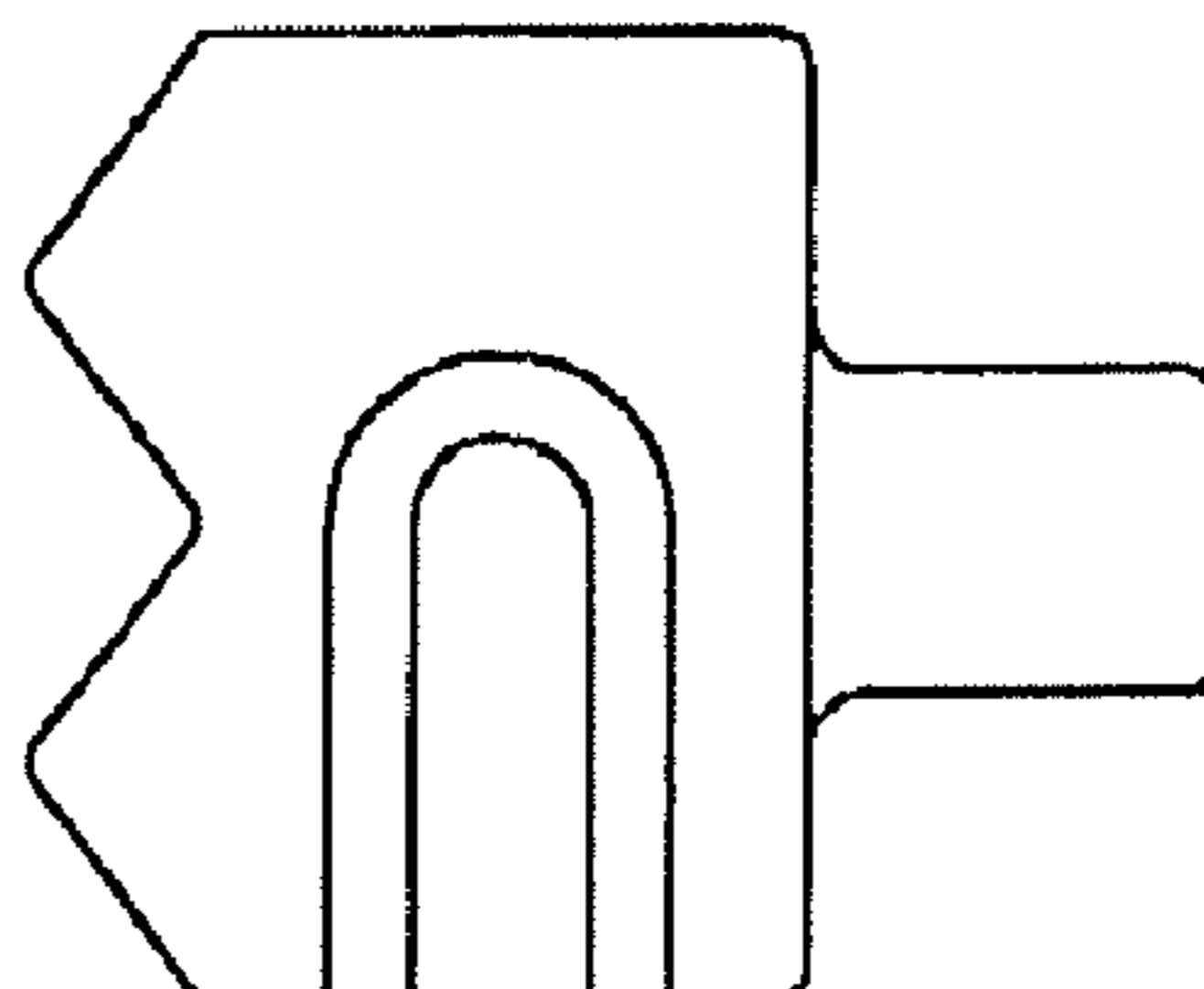


FIG. 3



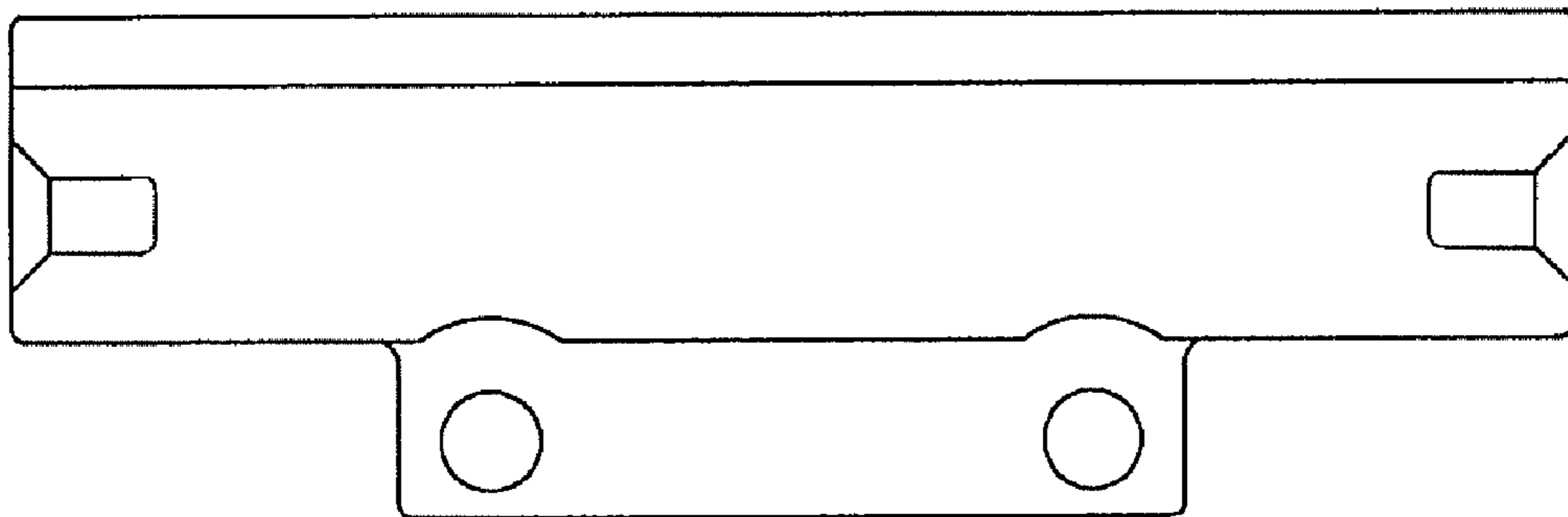


FIG. 4

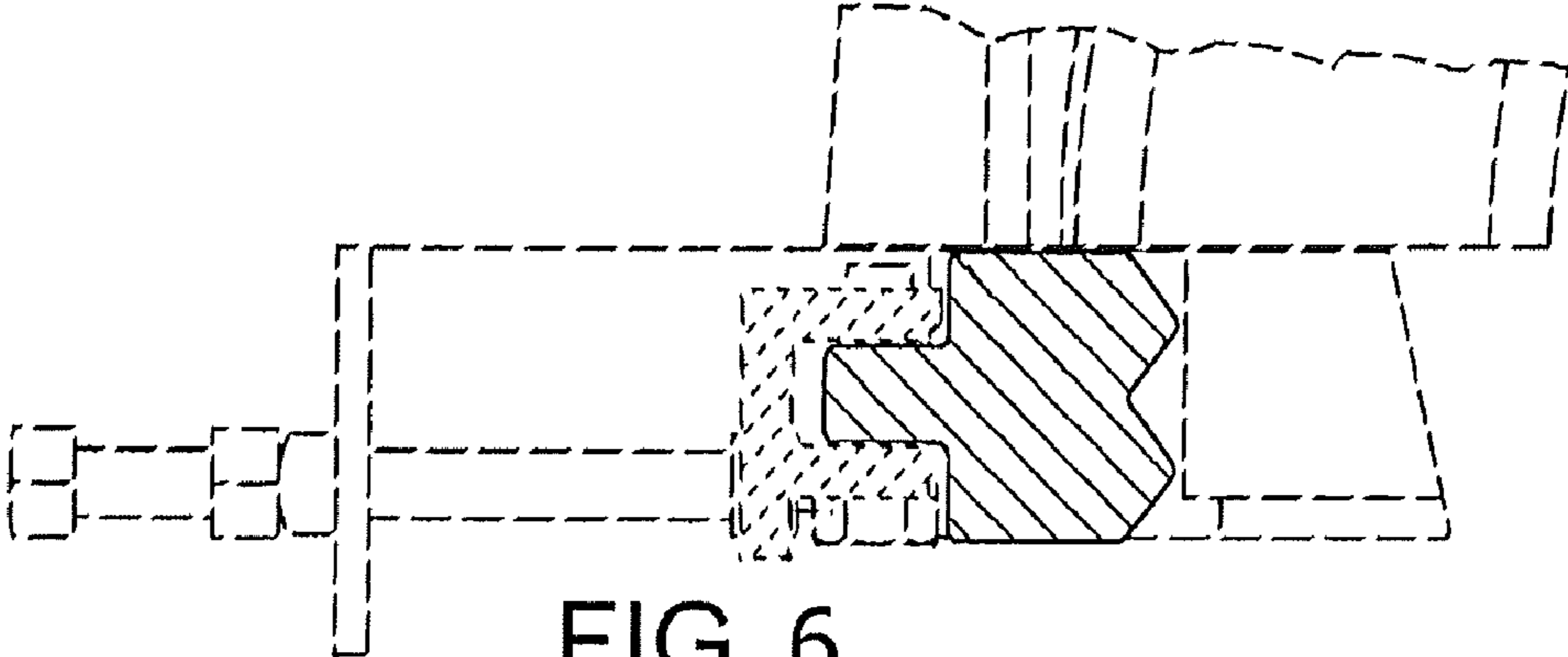


FIG. 6

FIG. 5

