

US00D660886S

(12) **United States Design Patent**  
**Piffl et al.**

(10) **Patent No.:** **US D660,886 S**

(45) **Date of Patent:** **\*\* May 29, 2012**

(54) **REFRIGERATOR**

(75) Inventors: **Moriz Piffl**, Graz (AT); **Jurgen Brenneis**, Pinsdorf (AT); **Matthias Victor Rinderer**, Fuschl am See (AT)

(73) Assignee: **Red Bull GmbH**, Fuschl am See (AT)

(\*\*) Term: **14 Years**

(21) Appl. No.: **29/410,012**

(22) Filed: **Jan. 3, 2012**

**Related U.S. Application Data**

(63) Continuation of application No. 29/381,127, filed on Dec. 15, 2010, now Pat. No. Des. 654,098.

(30) **Foreign Application Priority Data**

Jul. 22, 2010 (EM) ..... 001735028-0001  
Jul. 22, 2010 (EM) ..... 001735028-0002  
Jul. 22, 2010 (EM) ..... 001735028-0003

(51) **LOC (9) Cl.** ..... **15-07**

(52) **U.S. Cl.** ..... **D15/91**

(58) **Field of Classification Search** ..... D15/79,  
D15/81-89, 91; 312/114, 116, 236, 352,  
312/400-408; 62/3.6, 3.63, 3.64, 293, 467

See application file for complete search history.

(56) **References Cited**

U.S. PATENT DOCUMENTS

|          |   |   |         |                 |       |        |
|----------|---|---|---------|-----------------|-------|--------|
| D453,169 | S | * | 1/2002  | Ma et al.       | ..... | D15/81 |
| D477,000 | S | * | 7/2003  | Aldous et al.   | ..... | D15/81 |
| D512,081 | S | * | 11/2005 | Chang           | ..... | D15/81 |
| D539,312 | S | * | 3/2007  | Kim             | ..... | D15/81 |
| D540,831 | S | * | 4/2007  | Kim et al.      | ..... | D15/81 |
| D568,909 | S | * | 5/2008  | Santiago        | ..... | D15/81 |
| D604,340 | S | * | 11/2009 | Kim et al.      | ..... | D15/81 |
| D618,257 | S | * | 6/2010  | Hanamure et al. | ..... | D15/79 |
| D627,374 | S | * | 11/2010 | Yang            | ..... | D15/81 |
| D630,231 | S | * | 1/2011  | Yang et al.     | ..... | D15/81 |

\* cited by examiner

*Primary Examiner* — Mitchell Siegel

(74) *Attorney, Agent, or Firm* — Nixon & Vanderhye, P.C.

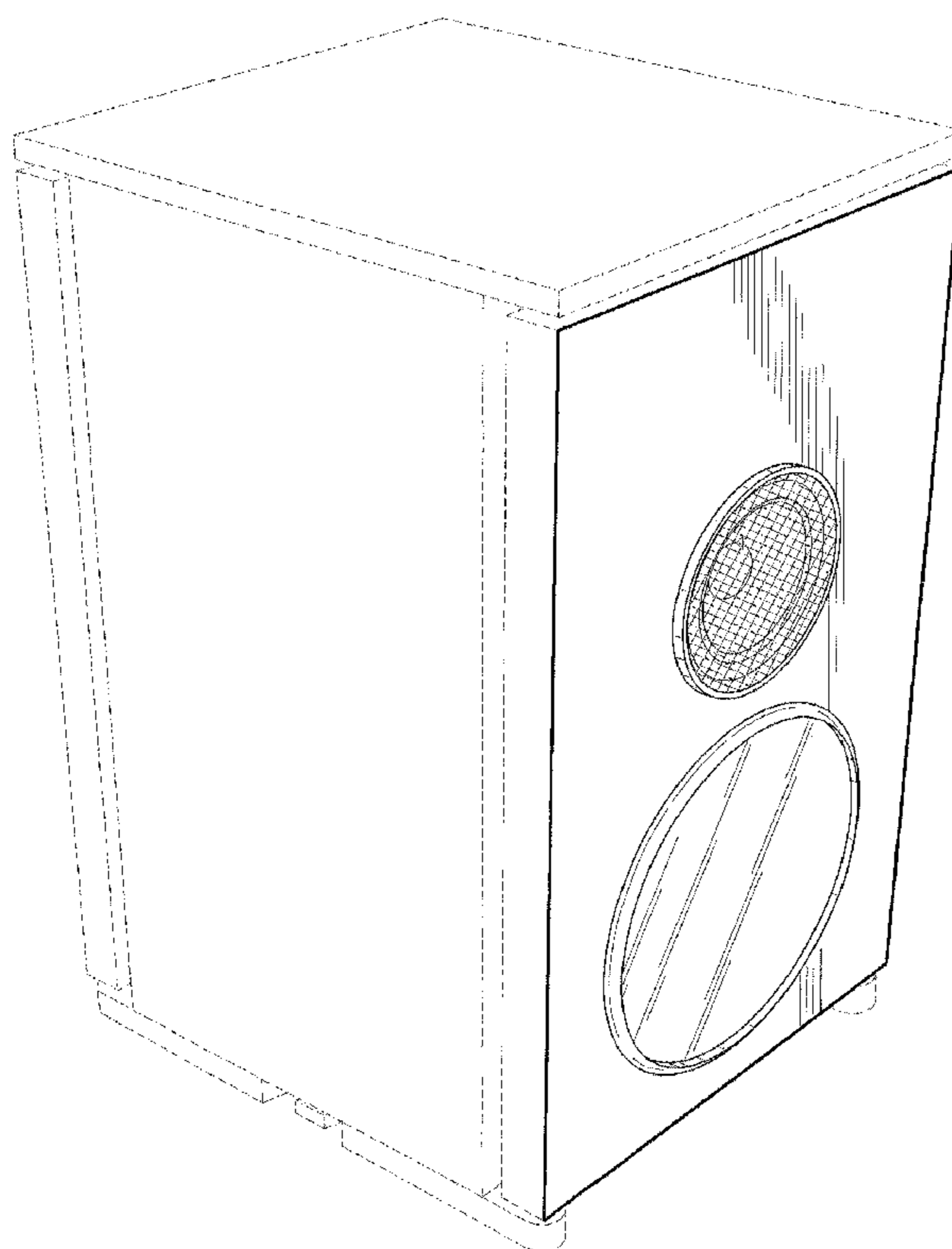
(57) **CLAIM**

The ornamental design for a refrigerator, as shown and described.

**DESCRIPTION**

FIG. 1 is a left, upper front perspective view of a refrigerator in accordance with an embodiment of our new design; FIG. 2 is a front elevation view thereof; FIG. 3 is a right side elevation view thereof, the left side elevation view being a mirror image thereof; FIG. 4 is a top plan view thereof; and, FIG. 5 is a right, bottom front perspective view thereof. The broken line showing is for illustrative purposes only and forms no part of the claimed design.

**1 Claim, 5 Drawing Sheets**



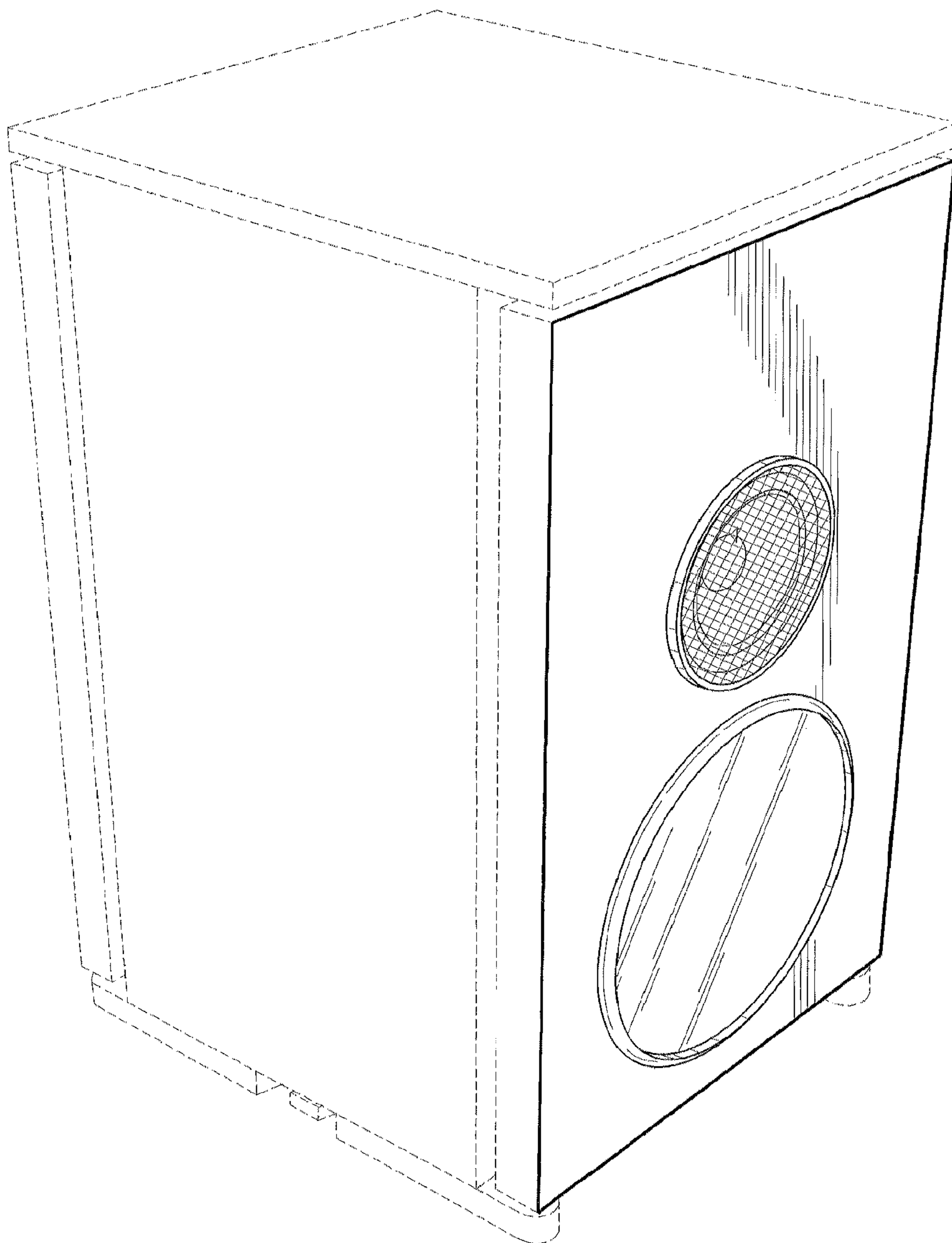


FIG. 1

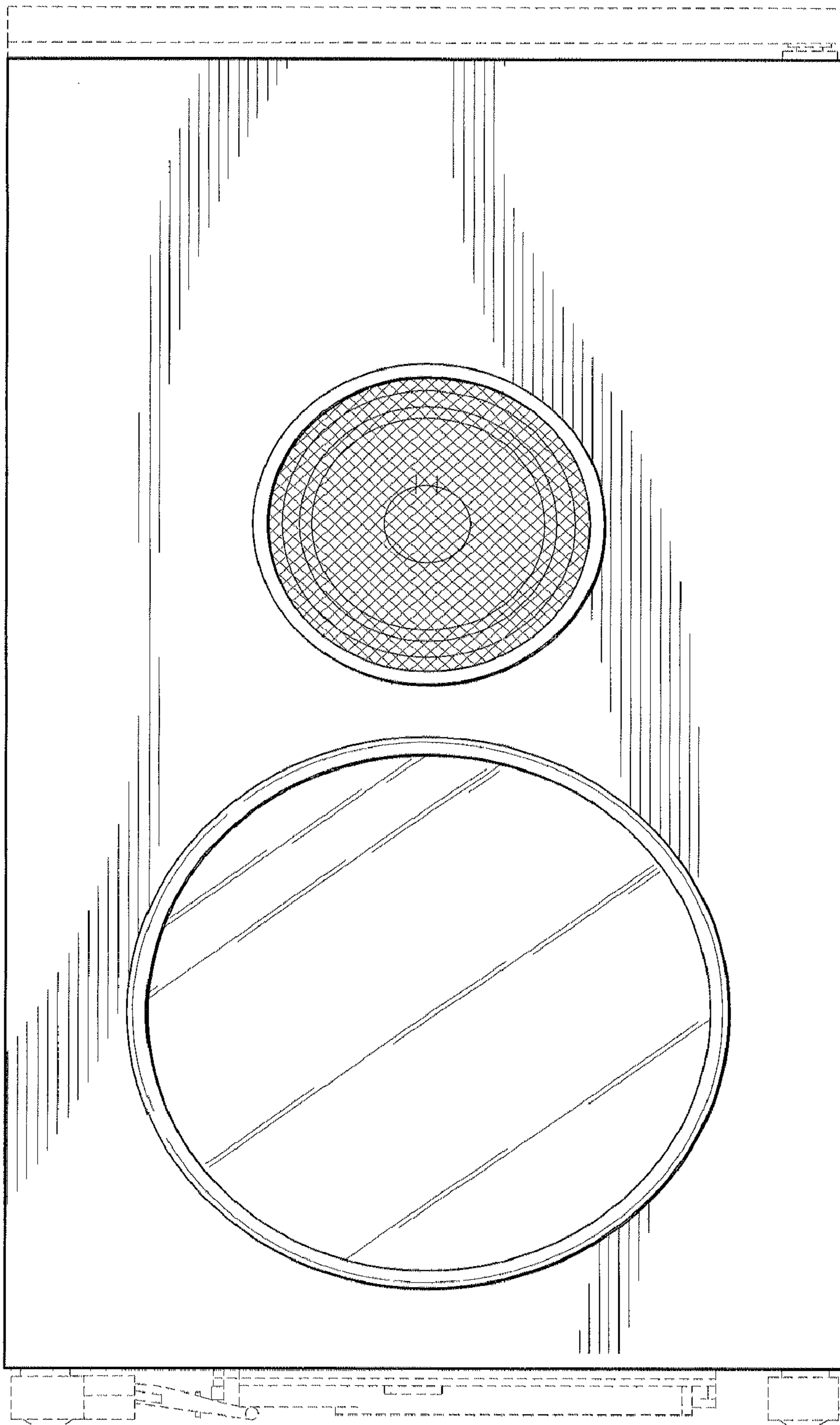


FIG. 2

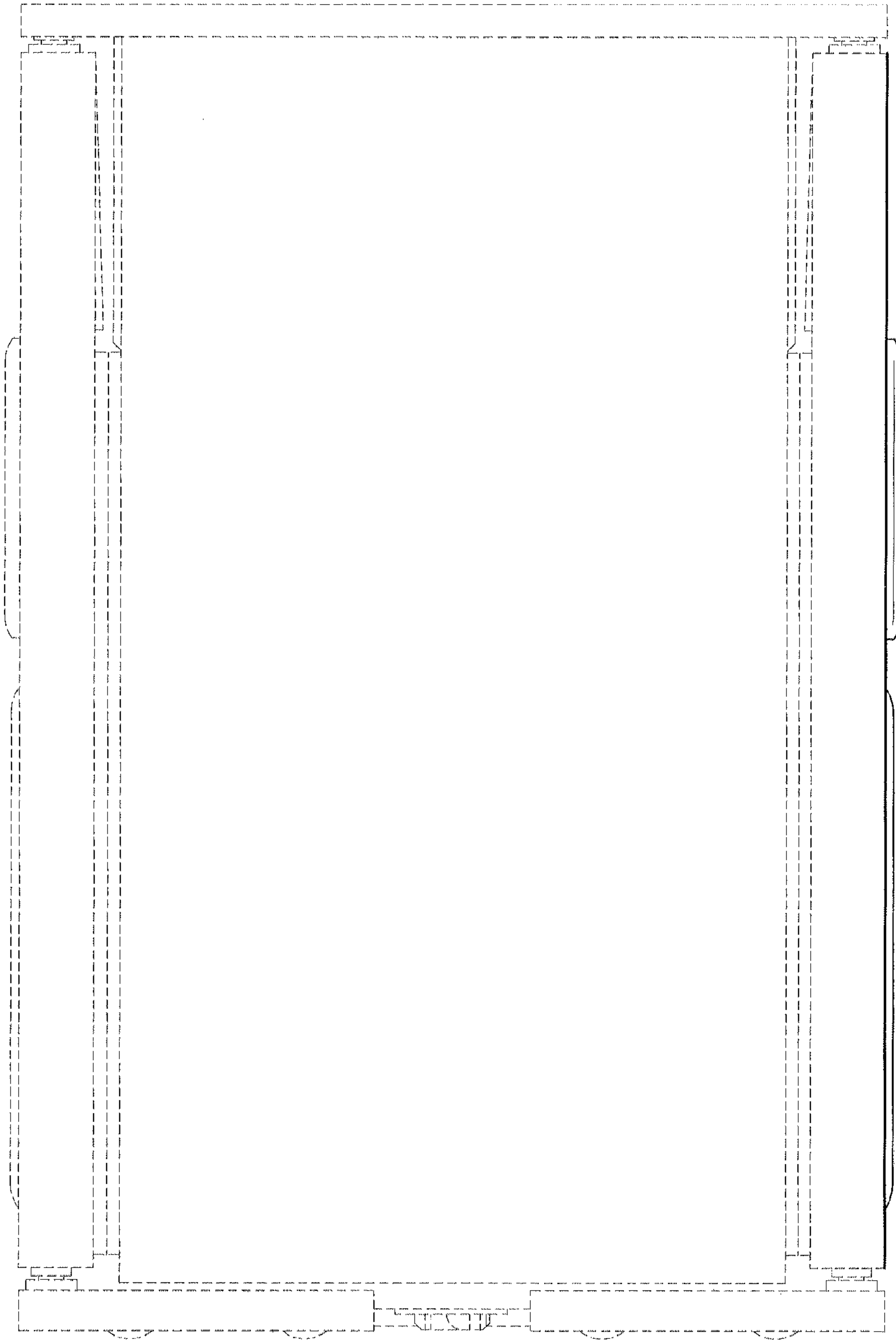
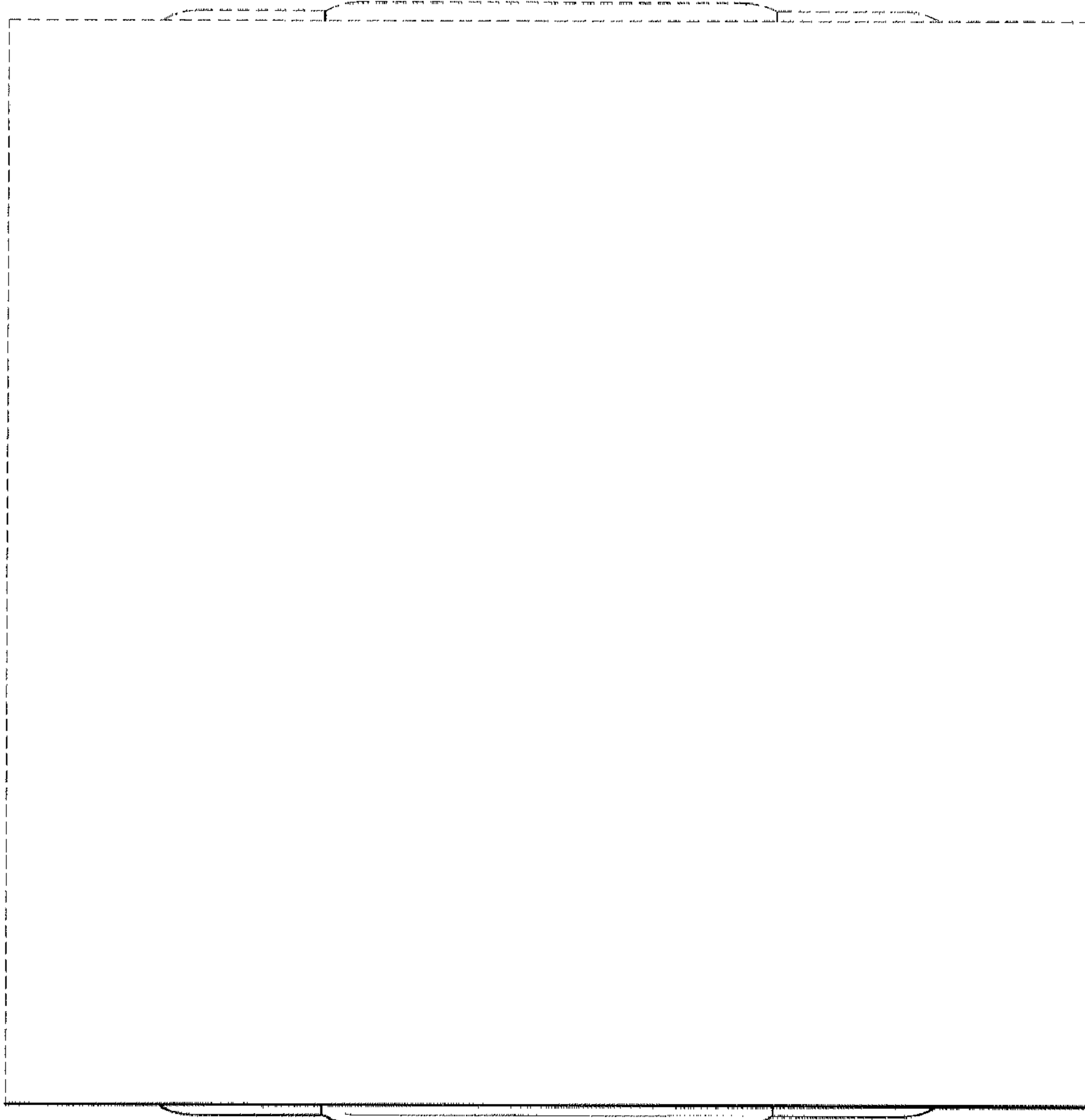


FIG. 3



**FIG. 4**



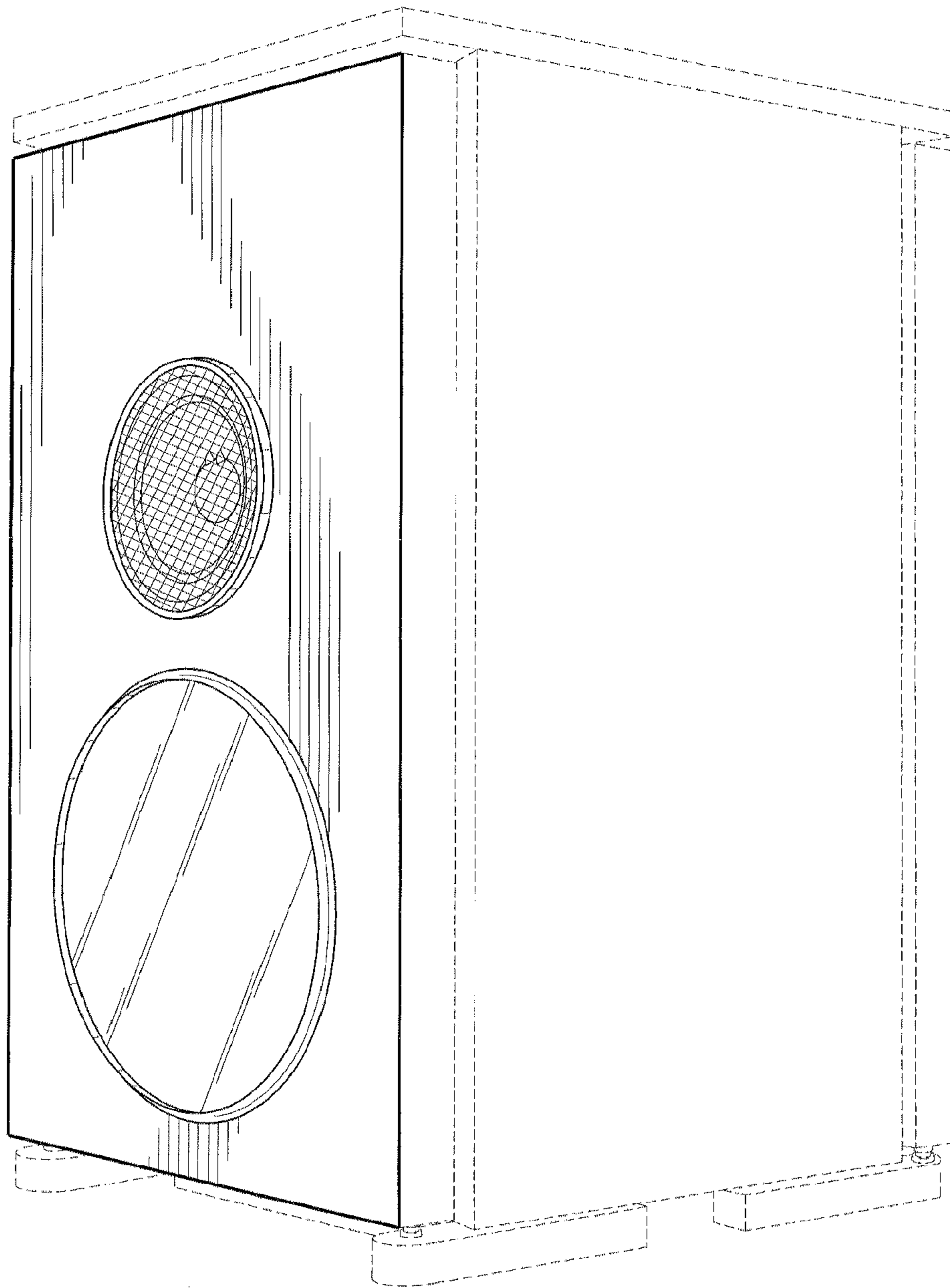


FIG. 5

UNITED STATES PATENT AND TRADEMARK OFFICE  
**CERTIFICATE OF CORRECTION**

PATENT NO. : D660,886 S  
APPLICATION NO. : 29/410012  
DATED : May 29, 2012  
INVENTOR(S) : Piffel et al.

Page 1 of 1

It is certified that error appears in the above-identified patent and that said Letters Patent is hereby corrected as shown below:

Title page of Patent No. D660,886 at INID code (75), include Eike Schaefer and Rainer Vogt  
as inventors

Signed and Sealed this  
Seventh Day of August, 2012

A handwritten signature in black ink that reads "David J. Kappos". The signature is written in a cursive, slightly slanted style.

David J. Kappos  
*Director of the United States Patent and Trademark Office*