

US00D660885S

(12) **United States Design Patent**
Crawford

(10) **Patent No.:** **US D660,885 S**

(45) **Date of Patent:** **** May 29, 2012**

(54) **PORTABLE RECHARGEABLE
REFRIGERATED COOLER**

(76) **Inventor:** **Denston Crawford, Paterson, NJ (US)**

(**) **Term:** **14 Years**

(21) **Appl. No.:** **29/394,419**

(22) **Filed:** **Jun. 16, 2011**

(51) **LOC (9) Cl.** **15-07**

(52) **U.S. Cl.** **D15/83; D7/605**

(58) **Field of Classification Search** D15/79,
D15/81, 83; D7/605-608; 62/297, 228.4,
62/236, 331, 258, 257.7, 257.9, 223, 371,
62/512

See application file for complete search history.

(56) **References Cited**

U.S. PATENT DOCUMENTS

2,522,623	A *	9/1950	Kas et al.	62/297
3,959,982	A *	6/1976	Denis et al.	62/223
D256,587	S *	8/1980	Tatsumi	D15/83
D285,692	S *	9/1986	Albiez	D15/81
5,029,446	A	7/1991	Suzuki		
5,247,798	A	9/1993	Collard, Jr.		
D352,420	S *	11/1994	Costello	D7/605

5,373,708	A *	12/1994	Dumoulin, Jr.	62/457.7
D375,022	S *	10/1996	Smith	D7/605
5,709,104	A	1/1998	Howcroft		
D454,892	S *	3/2002	Black et al.	D15/83
D503,413	S *	3/2005	Diaz	D15/83
D551,259	S *	9/2007	Wilson	D15/79
D558,239	S *	12/2007	Takemoto et al.	D15/79
D587,972	S	3/2009	Dorisca et al.		
7,735,334	B2	6/2010	Johnson		

* cited by examiner

Primary Examiner — Mitchell Siegel

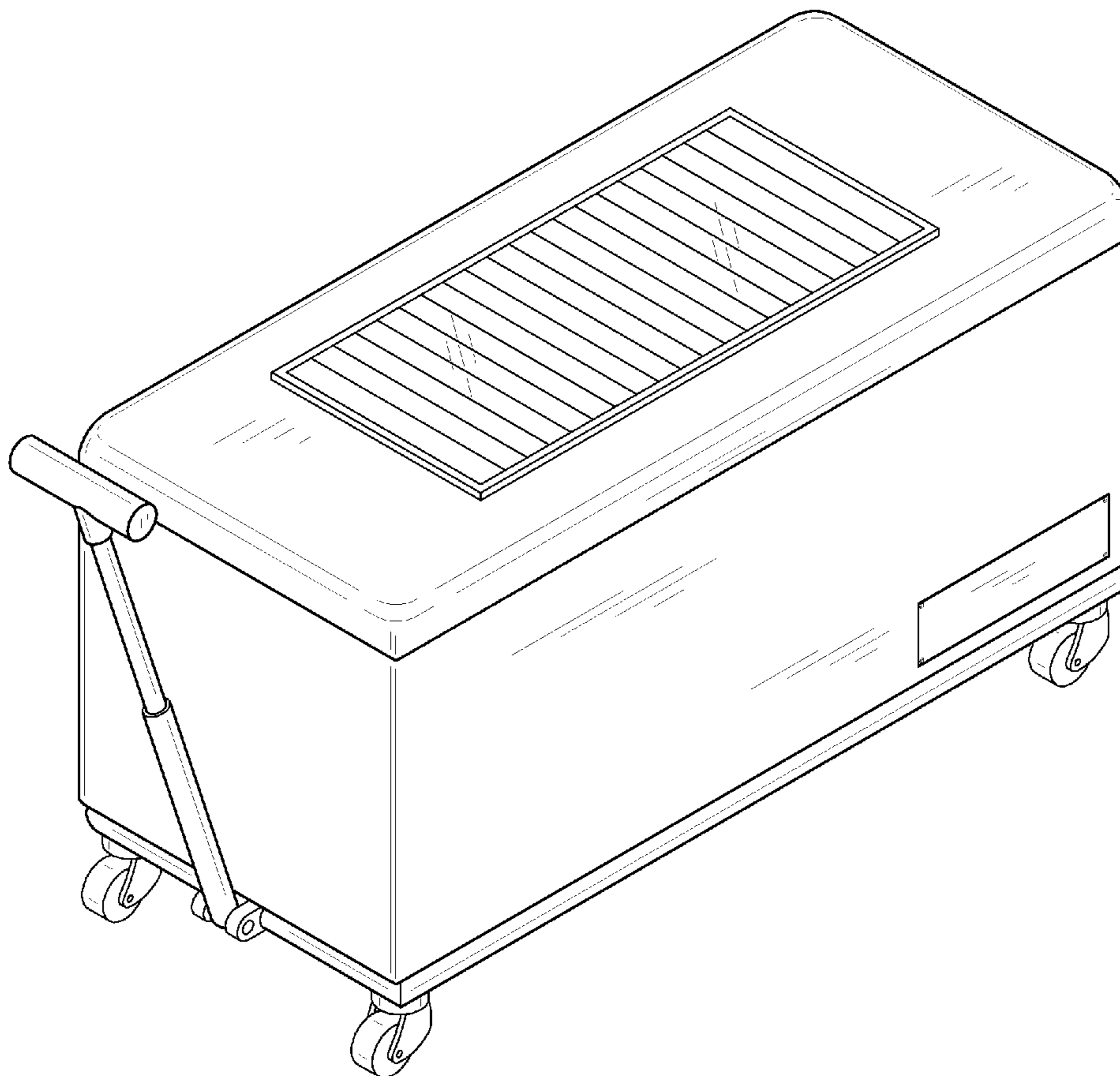
(57) **CLAIM**

The ornamental design for a portable rechargeable refrigerated cooler, as shown and described.

DESCRIPTION

FIG. 1 is a perspective view of a portable rechargeable refrigerated cooler showing my new design;
FIG. 2 is a back view thereof;
FIG. 3 is a front view thereof;
FIG. 4 is a side view thereof;
FIG. 5 is another side view thereof;
FIG. 6 is a top view thereof; and,
FIG. 7 is a bottom view thereof.

1 Claim, 4 Drawing Sheets



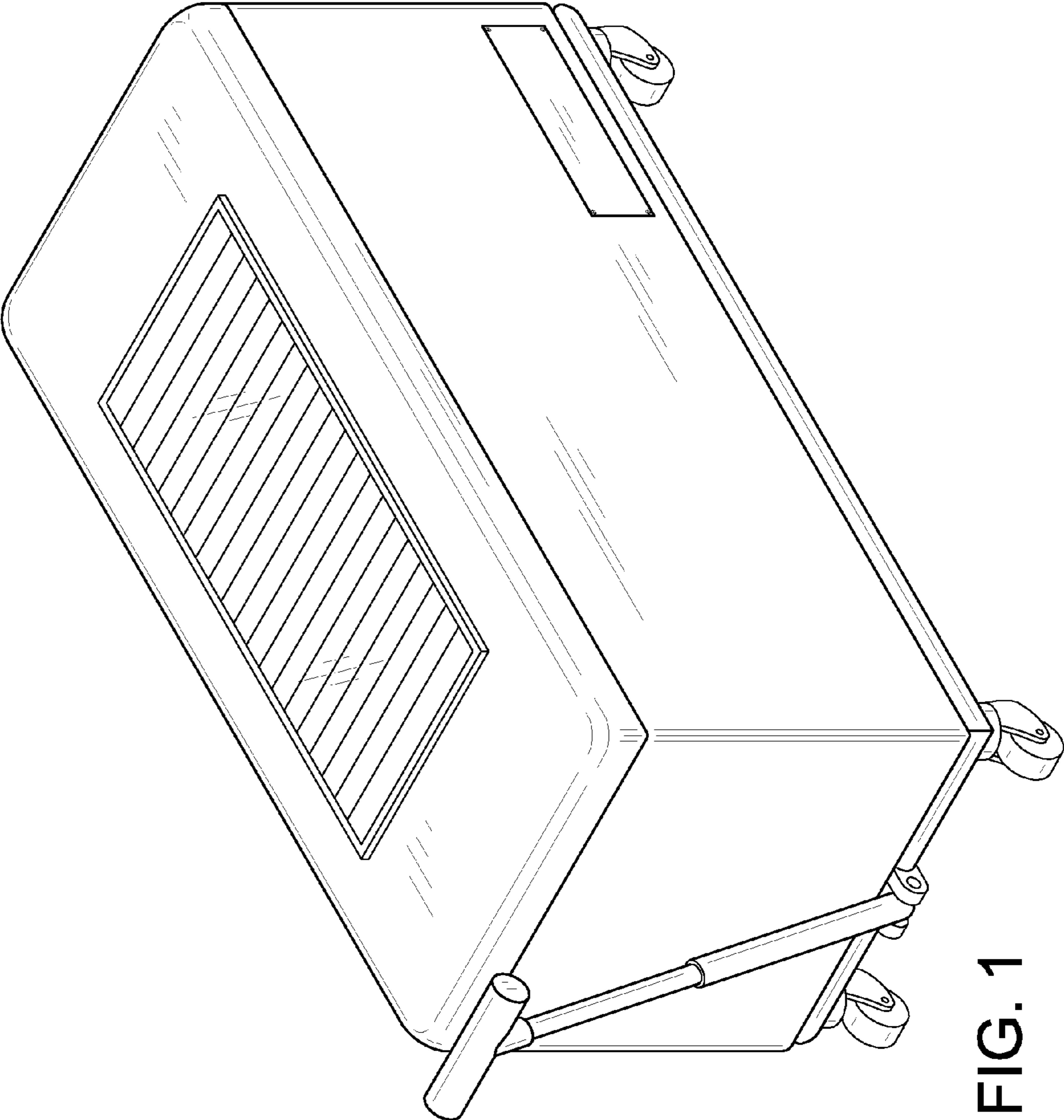


FIG. 1

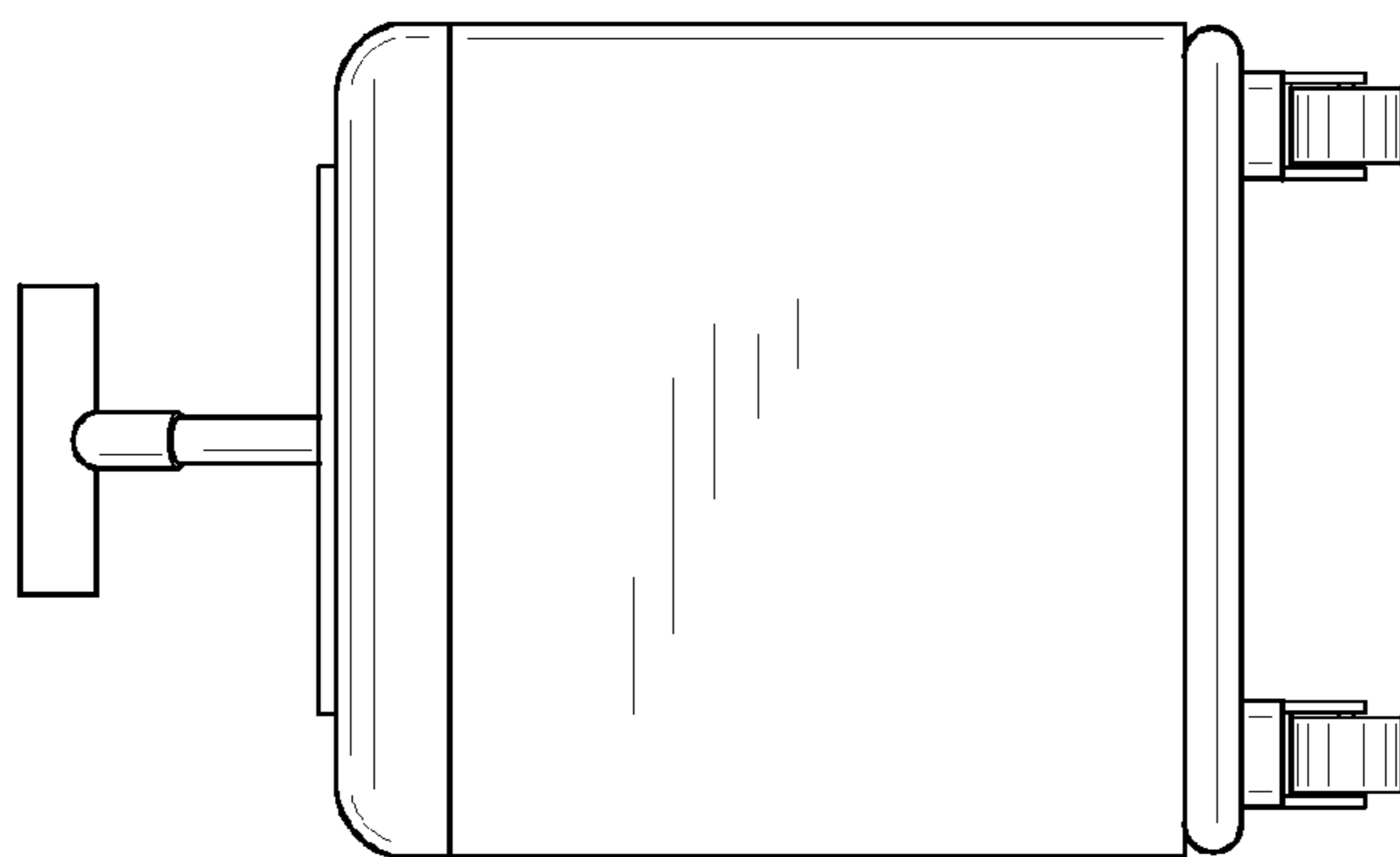


FIG. 3

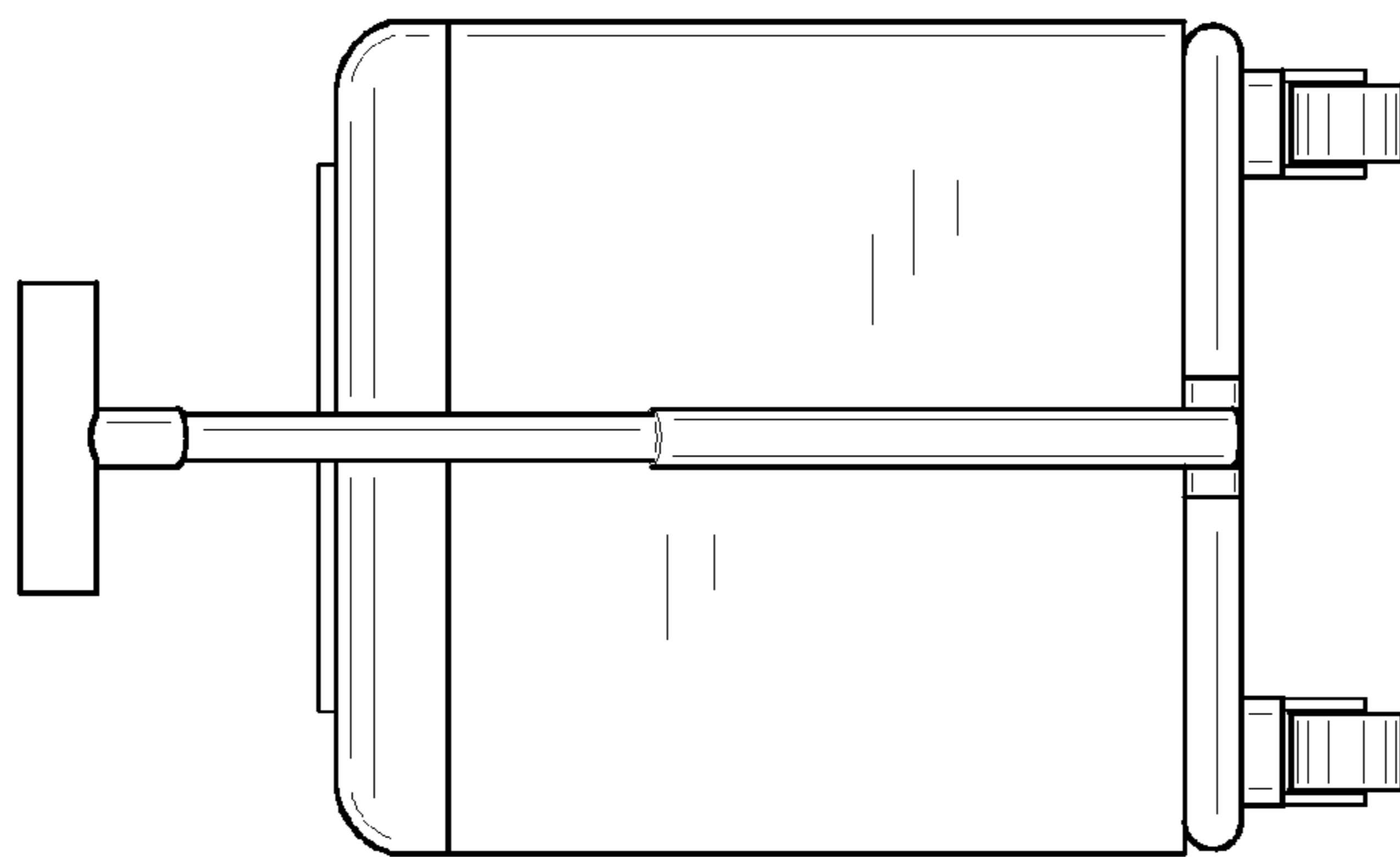


FIG. 2

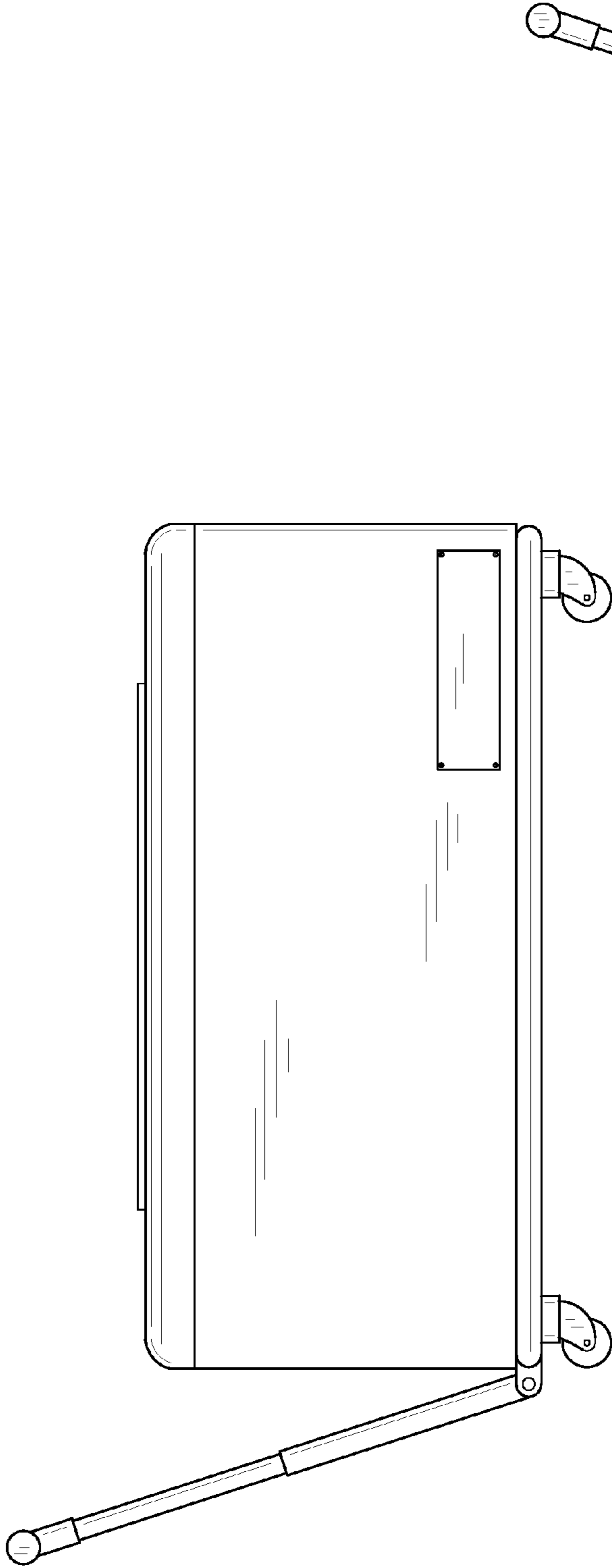


FIG. 4

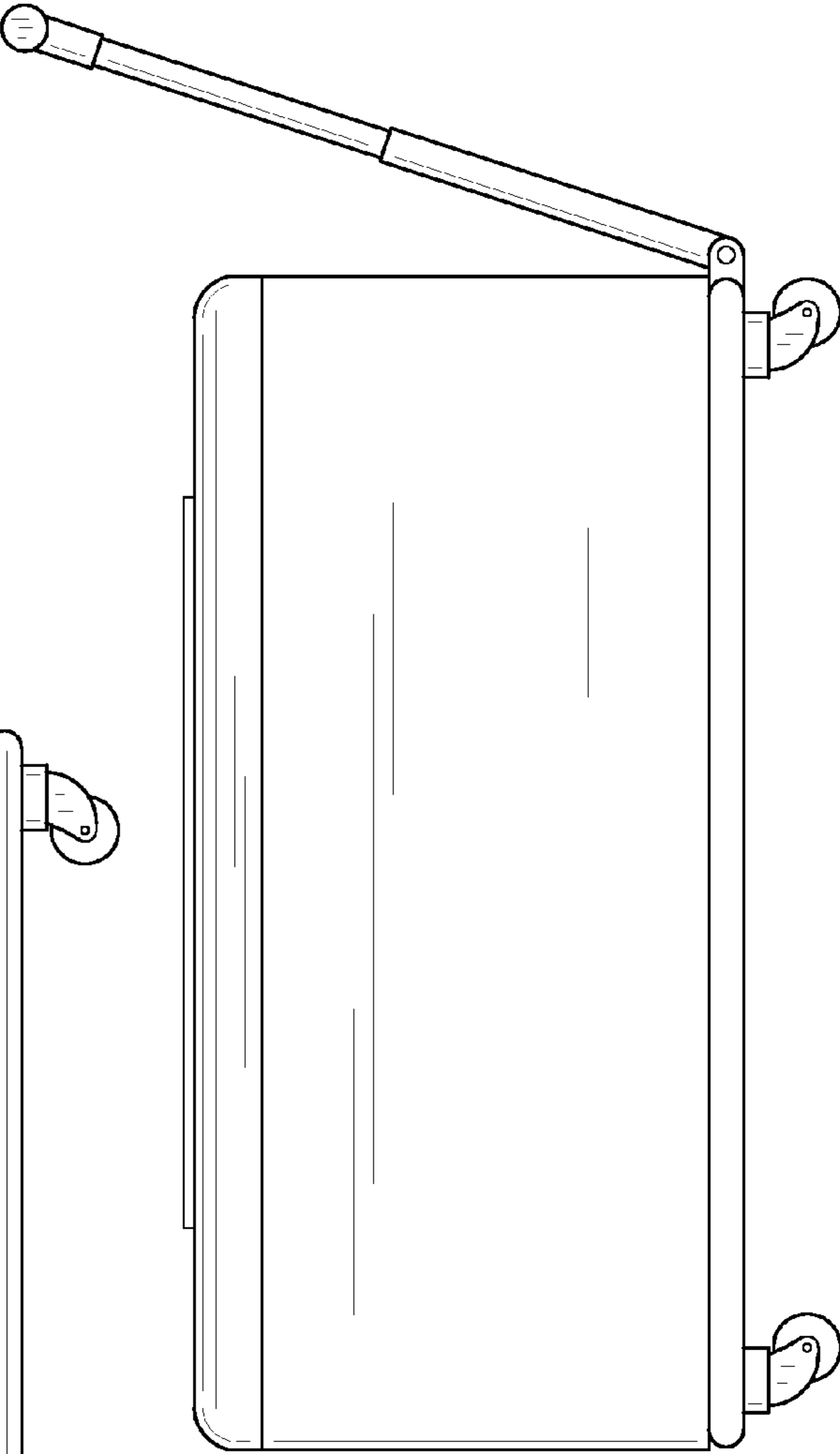


FIG. 5

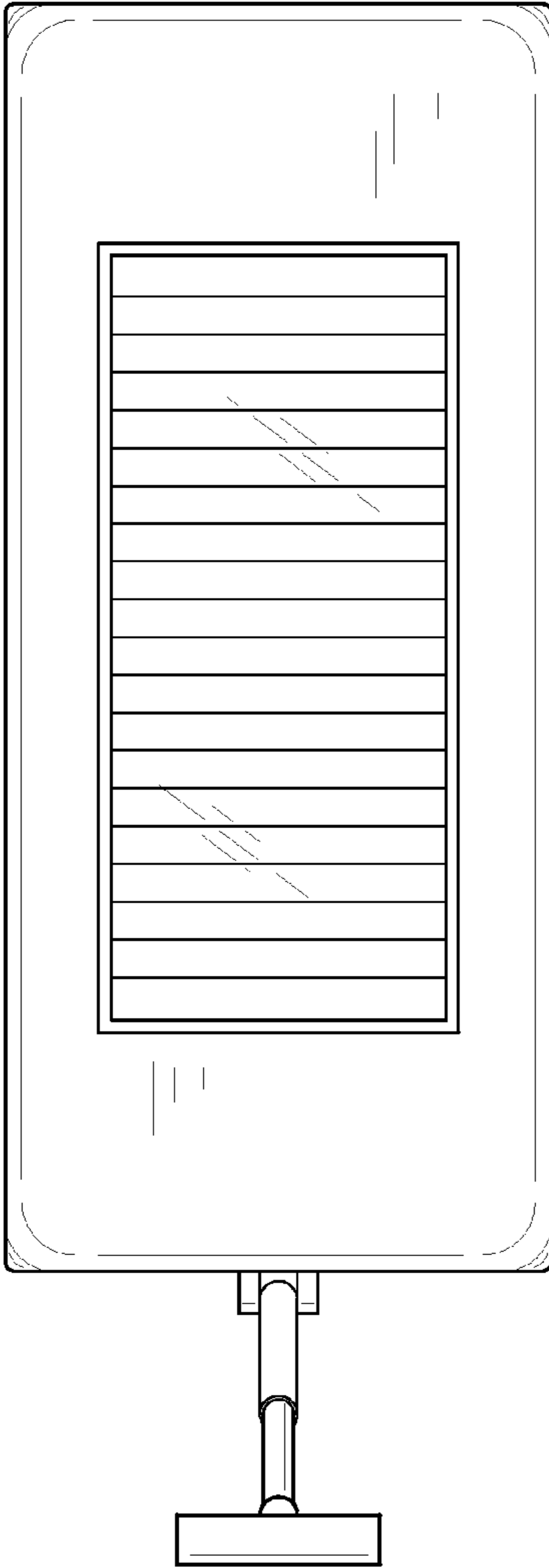


FIG. 6

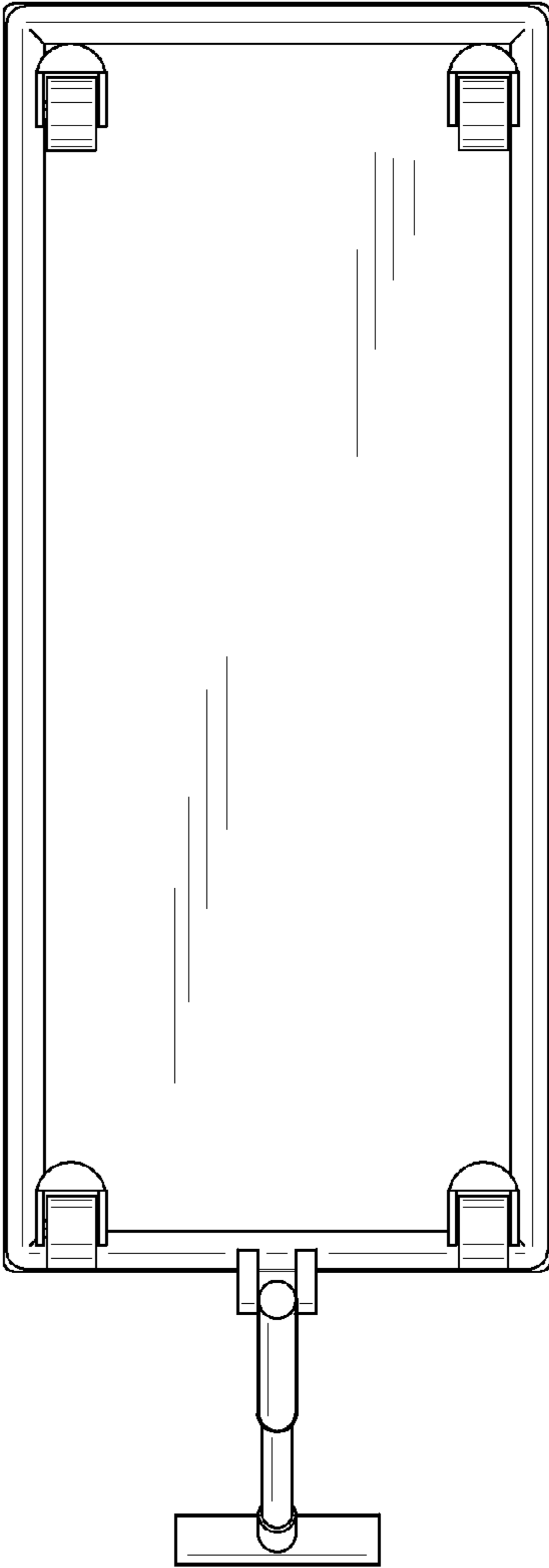


FIG. 7