



US00D660883S

(12) **United States Design Patent**  
**Böhme et al.**

(10) **Patent No.:** **US D660,883 S**  
(45) **Date of Patent:** **\*\* May 29, 2012**

(54) **BODY PANELS FOR A ROAD CONSTRUCTION MACHINE**  
(75) Inventors: **Heiko Böhme**, Vettelschoss (DE);  
**Christoph Menzenbach**, Neustadt/Wied (DE);  
**Cyrus Barimani**, Könlgswinter (DE);  
**Günter Hähn**, Könlgswinter/Thomasberg (DE)

(73) Assignee: **Wirtgen GmbH** (DE)

(\*\*) Term: **14 Years**

(21) Appl. No.: **29/407,290**

(22) Filed: **Nov. 28, 2011**

(30) **Foreign Application Priority Data**

May 30, 2011 (EM) ..... 001870619

(51) **LOC (9) Cl.** ..... **15-03**

(52) **U.S. Cl.** ..... **D15/33; D15/28**

(58) **Field of Classification Search** ..... D15/10,  
D15/13, 19, 22-26, 28, 33; 404/110, 101,  
404/108, 75, 102, 118, 84.05, 105  
See application file for complete search history.

(56) **References Cited**

**U.S. PATENT DOCUMENTS**

D135,005	S	*	2/1943	Baumgardner	.....	D15/10
D256,466	S	*	8/1980	Smith et al.	.....	D15/22
D266,850	S	*	11/1982	Godbersen	.....	D15/22
4,938,537	A	*	7/1990	Rife et al.	.....	299/39.6
D323,511	S	*	1/1992	Swisher, Jr.	.....	D15/23
5,190,398	A	*	3/1993	Swisher, Jr.	.....	404/90
D500,056	S	*	12/2004	DeYoung et al.	.....	D15/33
D526,336	S	*	8/2006	Maas et al.	.....	D15/28
D527,393	S	*	8/2006	Maas et al.	.....	D15/28
D584,664	S	*	1/2009	Johnson et al.	.....	D12/169
D595,745	S	*	7/2009	Jorgensen et al.	.....	D15/30
D608,374	S	*	1/2010	De Rycke et al.	.....	D15/33

D613,224	S	*	4/2010	Beigel et al.	.....	D12/196
D633,419	S	*	3/2011	Peltola et al.	.....	D12/169
D635,158	S	*	3/2011	Berning et al.	.....	D15/33
D635,159	S	*	3/2011	Berning et al.	.....	D15/33
D635,160	S	*	3/2011	Berning et al.	.....	D15/33
D635,593	S	*	4/2011	Berning et al.	.....	D15/33
D642,599	S	*	8/2011	Busley	.....	D15/33
D643,860	S	*	8/2011	Busley	.....	D15/33
2008/0246328	A1		10/2008	Mannebach et al.		

**OTHER PUBLICATIONS**

U.S. Appl. No. 29/407,286, filed Nov. 28, 2011 to Böhme et al. (not prior art).

U.S. Appl. No. 29/407,289, filed Nov. 28, 2011 to Böhme et al. (not prior art).

U.S. Appl. No. 29/407,291, filed Nov. 28, 2011 to Böhme et al. (not prior art).

\* cited by examiner

*Primary Examiner* — Mark Goodwin

(74) *Attorney, Agent, or Firm* — Waddey & Patterson, P.C.;  
Lucian Wayne Beavers

(57) **CLAIM**

The ornamental design for body panels for a road construction machine, as shown and described.

**DESCRIPTION**

FIG. 1 is a left front perspective view of the body panels for a road construction machine showing our new design.

FIG. 2 is a right rear perspective view thereof.

FIG. 3 is a right front perspective view thereof.

FIG. 4 is a left rear perspective view thereof.

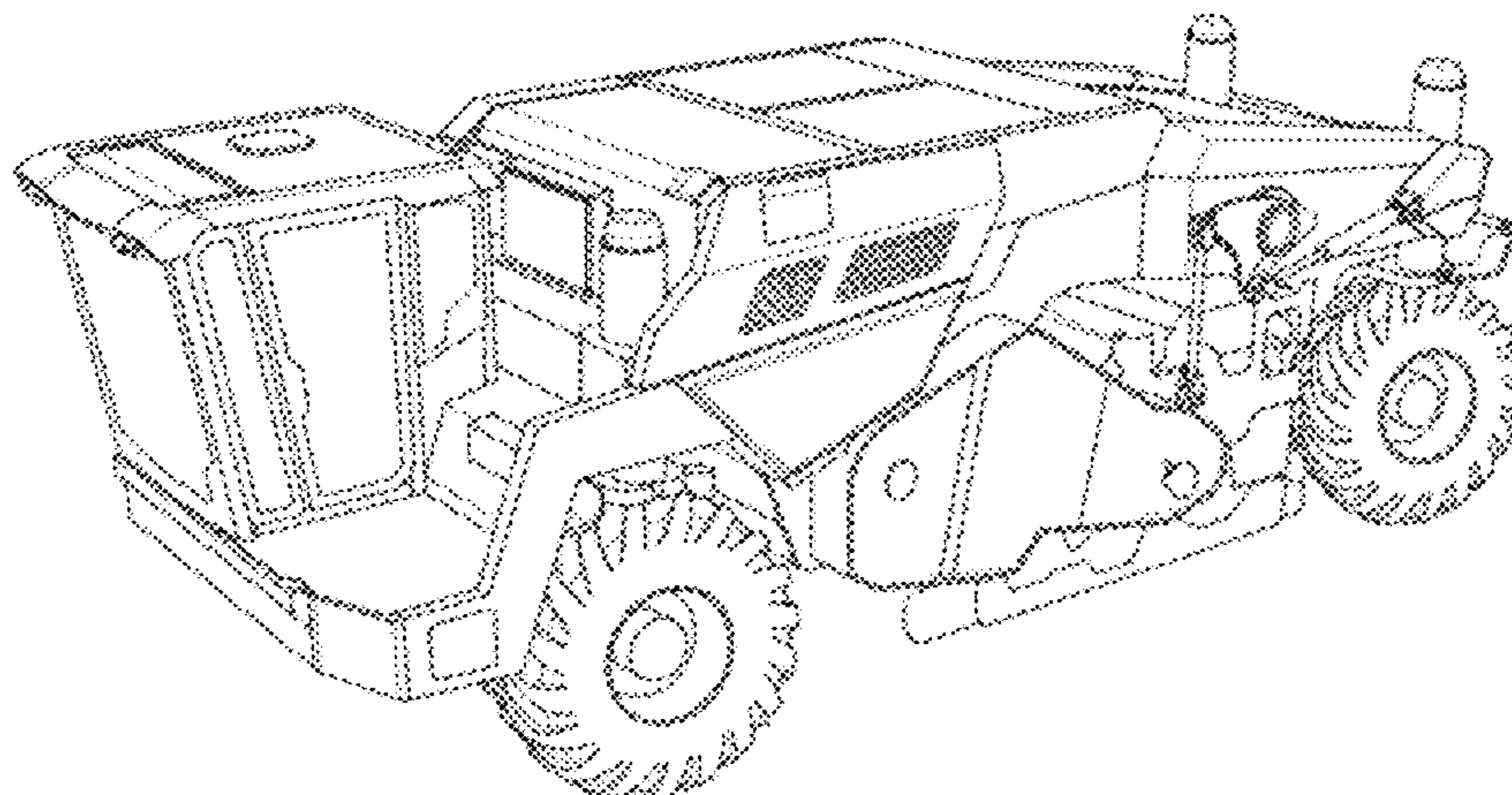
FIG. 5 is a right side elevation view thereof.

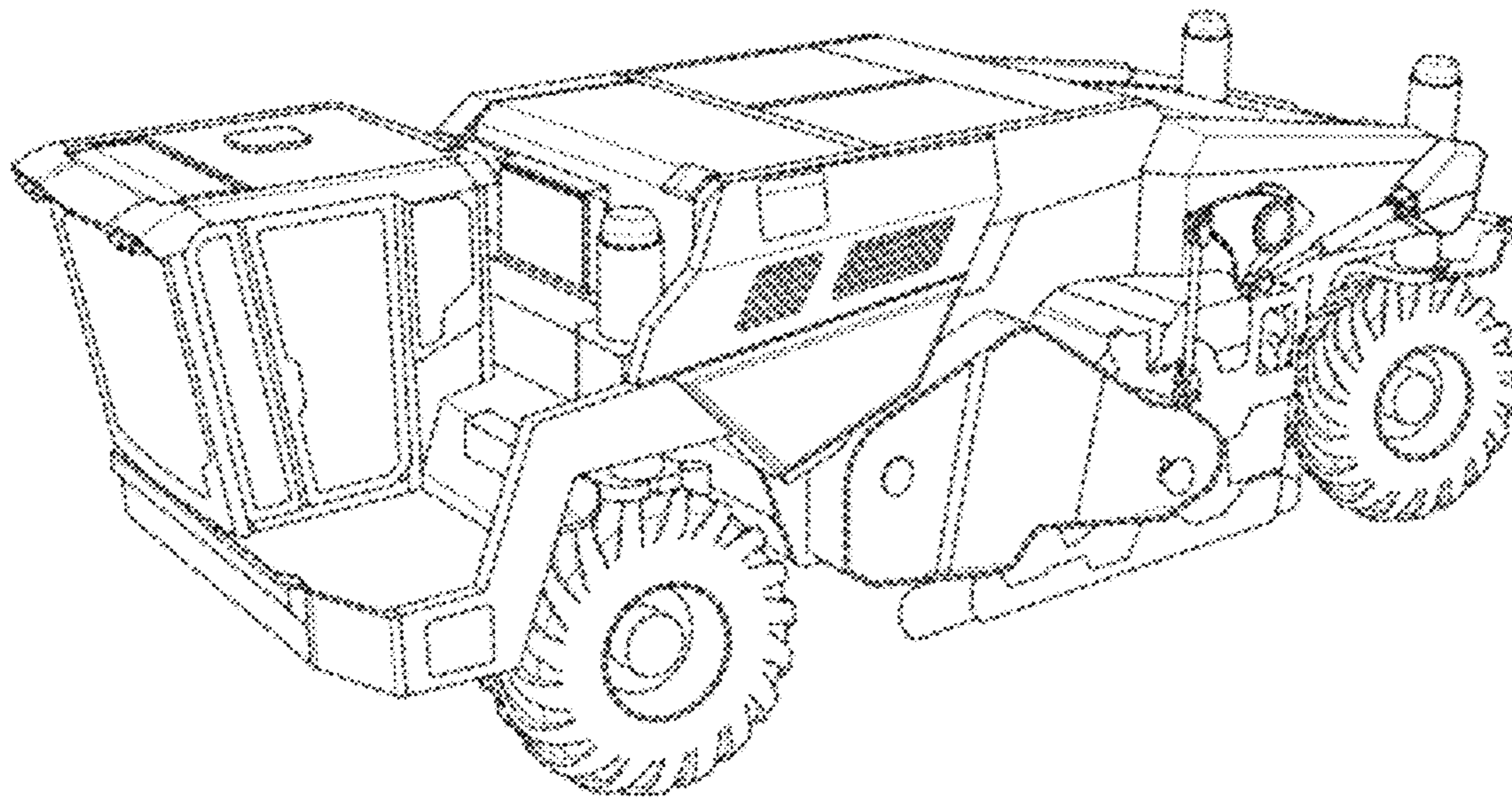
FIG. 6 is a left side elevation view thereof; and,

FIG. 7 is a rear elevation view thereof.

The broken lines are shown for environmental purposes only and form no part of the claimed design.

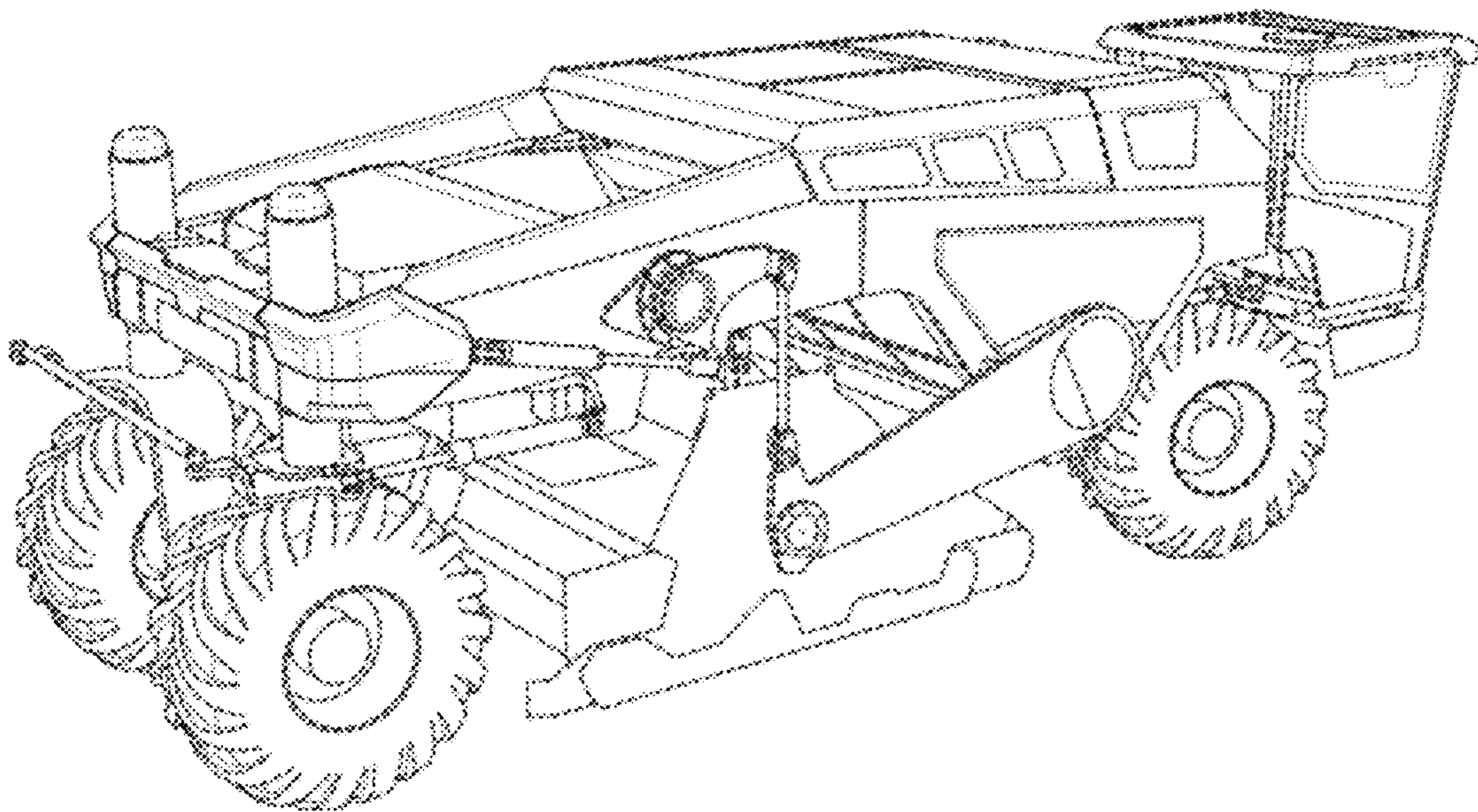
**1 Claim, 7 Drawing Sheets**



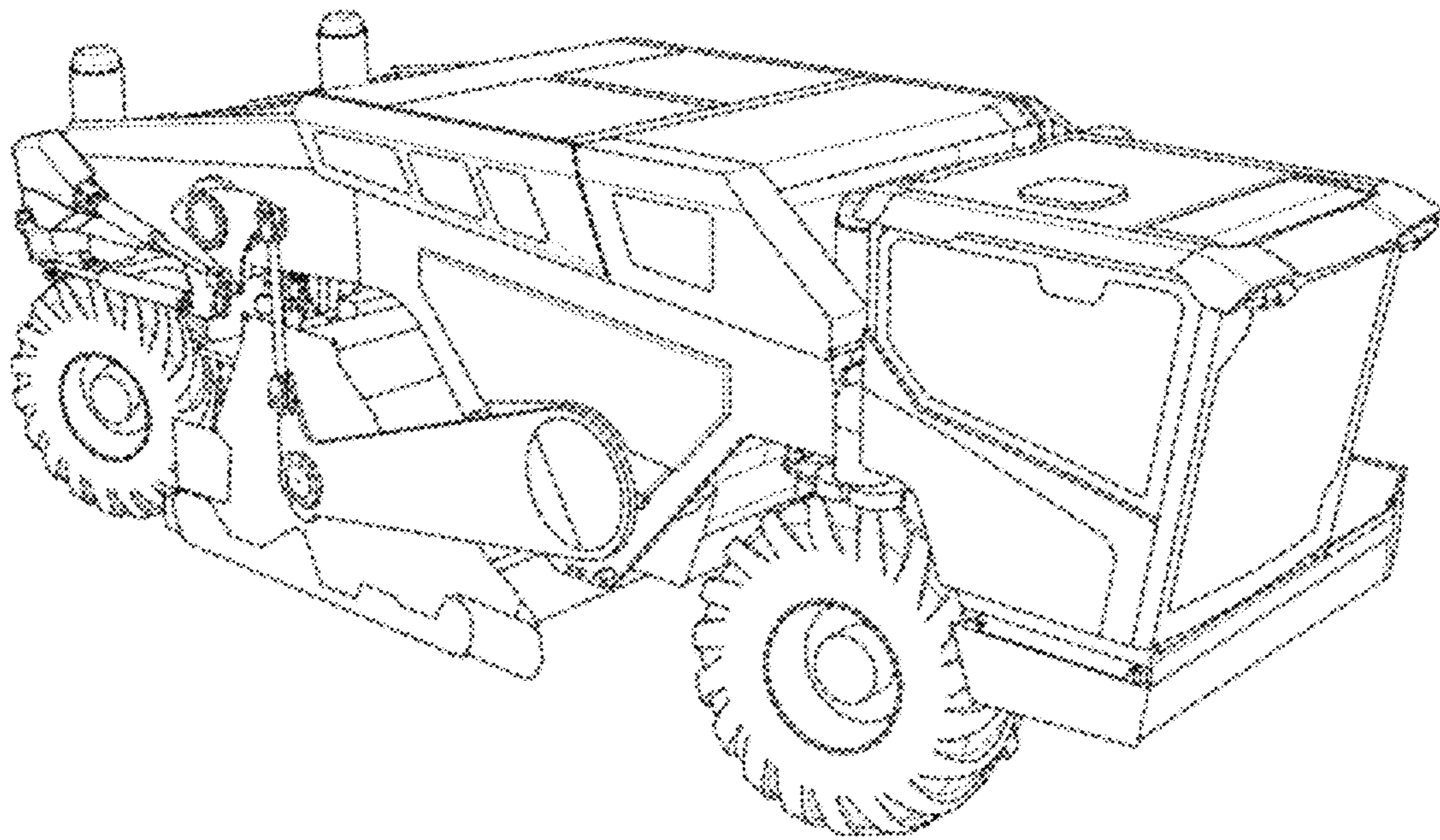


**FIG. 1**

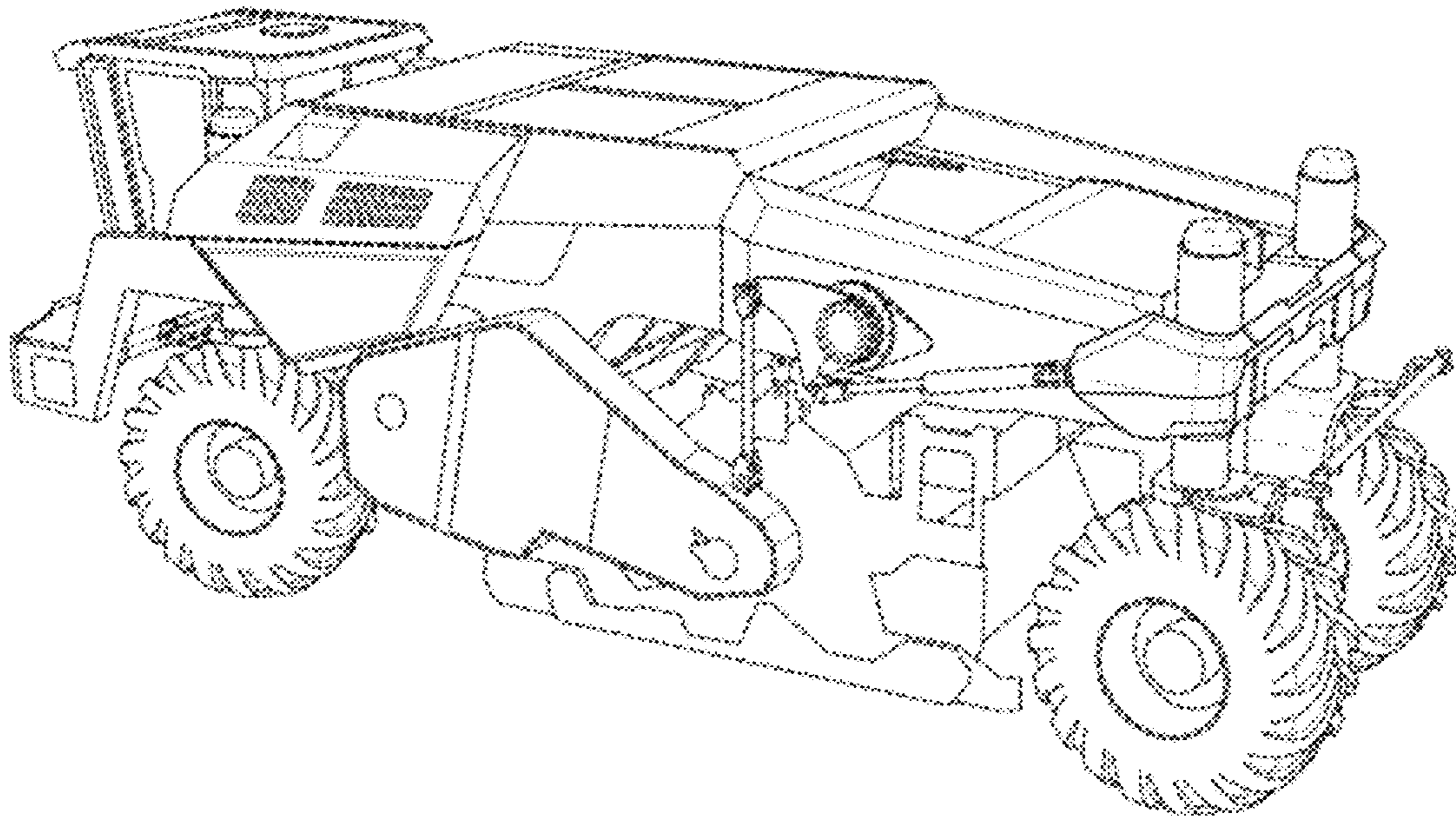




**FIG. 2**

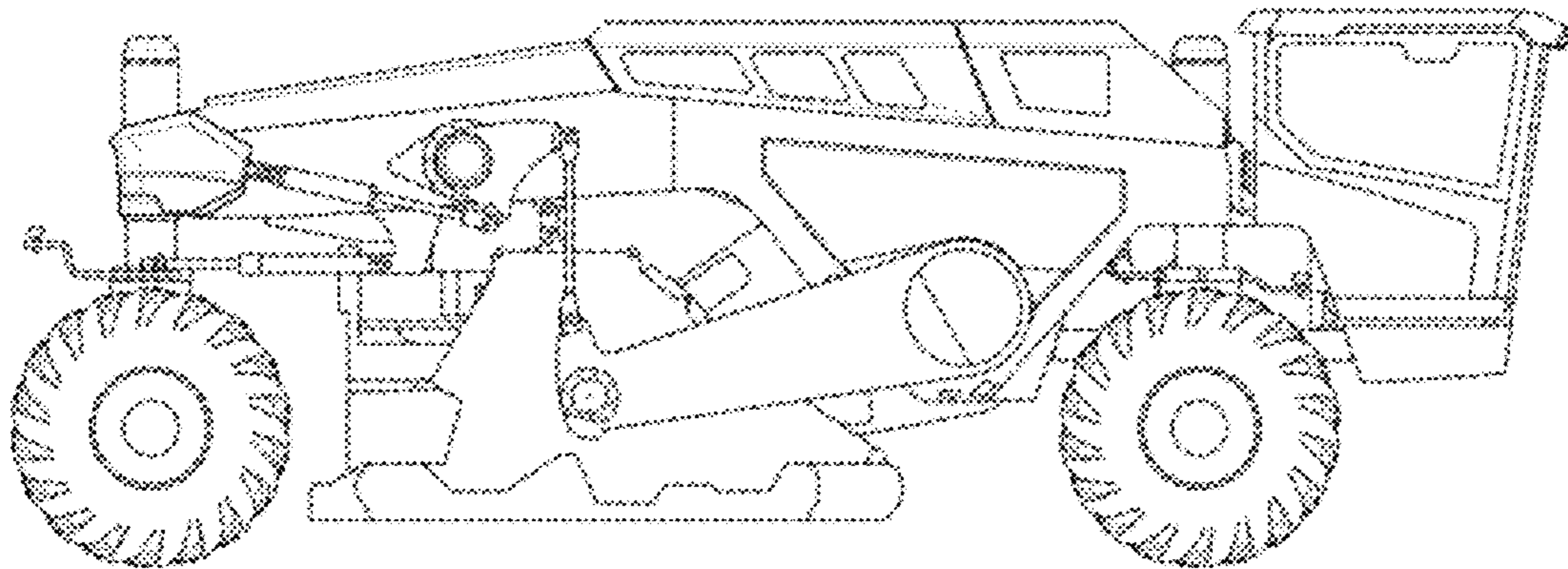


**FIG. 3**

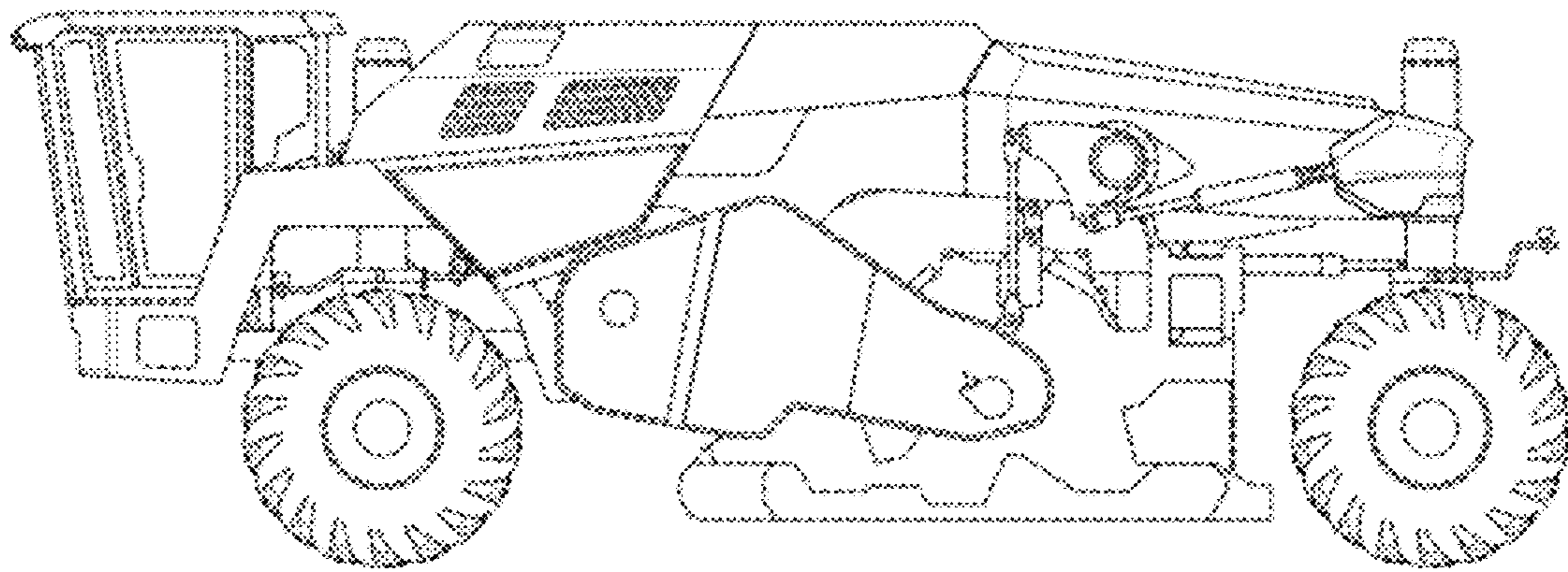


**FIG. 4**

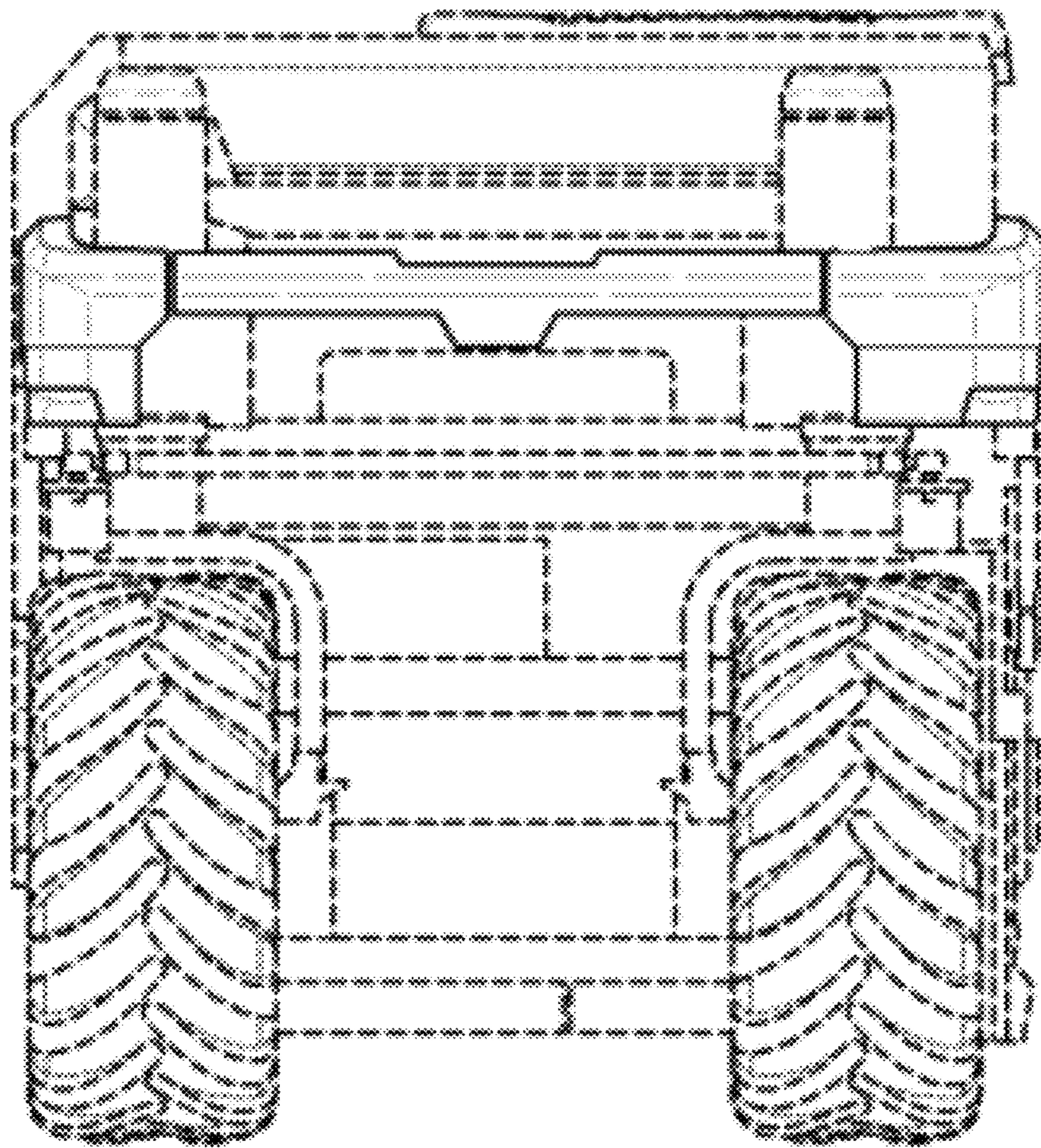




*FIG. 5*



**FIG. 6**



***FIG. 7***