



US00D660881S

(12) **United States Design Patent**  
**Böhme et al.**

(10) **Patent No.:** **US D660,881 S**

(45) **Date of Patent:** **\*\* May 29, 2012**

(54) **CAB FOR A ROAD CONSTRUCTION MACHINE**

(75) Inventors: **Heiko Böhme**, Vettelschoss (DE);  
**Christoph Menzenbach**, Neustadt/Wied (DE);  
**Cyrus Barimani**, Königswinter (DE);  
**Günter Hähn**, Königswinter/Thomasberg (DE)

(73) Assignee: **Wirtgen GmbH** (DE)

(\*\*) Term: **14 Years**

(21) Appl. No.: **29/407,291**

(22) Filed: **Nov. 28, 2011**

(30) **Foreign Application Priority Data**

May 30, 2011 (EM) ..... 001870619

(51) **LOC (9) Cl.** ..... **15-03**

(52) **U.S. Cl.** ..... **D15/30**

(58) **Field of Classification Search** ..... D15/10,  
D15/22-26, 28, 30, 31; 180/89.11, 89.12,  
180/89.13, 89.19, 900; 296/190.01, 190.08,  
296/210, 190, 202

See application file for complete search history.

(56) **References Cited**

**U.S. PATENT DOCUMENTS**

D348,678 S *	7/1994	Budde	.....	D15/30
D389,984 S *	1/1998	Johansson	.....	D34/37
D523,029 S *	6/2006	Crawford et al.	.....	D15/30
D531,647 S *	11/2006	Stender et al.	.....	D15/30
D541,825 S *	5/2007	Pettersson	.....	D15/30
D541,826 S *	5/2007	Brush et al.	.....	D15/30

D561,205 S *	2/2008	Pettersson	.....	D15/30
D603,881 S *	11/2009	Tamplain et al.	.....	D15/30
D605,207 S *	12/2009	Menges et al.	.....	D15/30
D629,429 S *	12/2010	Wakamatsu	.....	D15/30
D635,156 S *	3/2011	Berning et al.	.....	D15/30
D636,795 S *	4/2011	Yamamoto et al.	.....	D15/30
D637,630 S *	5/2011	Yamamoto et al.	.....	D15/30
D642,205 S *	7/2011	Yamamoto et al.	.....	D15/30
D650,816 S *	12/2011	Koponen et al.	.....	D15/30
2008/0246328 A1	10/2008	Mannebach et al.		

**OTHER PUBLICATIONS**

U.S. Appl. No. 29/407,286, filed Nov. 28, 2011 to Böhme et al.  
U.S. Appl. No. 29/407,289, filed Nov. 28, 2011 to Böhme et al.  
U.S. Appl. No. 29/407,290, filed Nov. 28, 2011 to Böhme et al.

\* cited by examiner

*Primary Examiner* — Mark Goodwin

(74) *Attorney, Agent, or Firm* — Wadley & Patterson, P.C.;  
Lucian Wayne Beavers

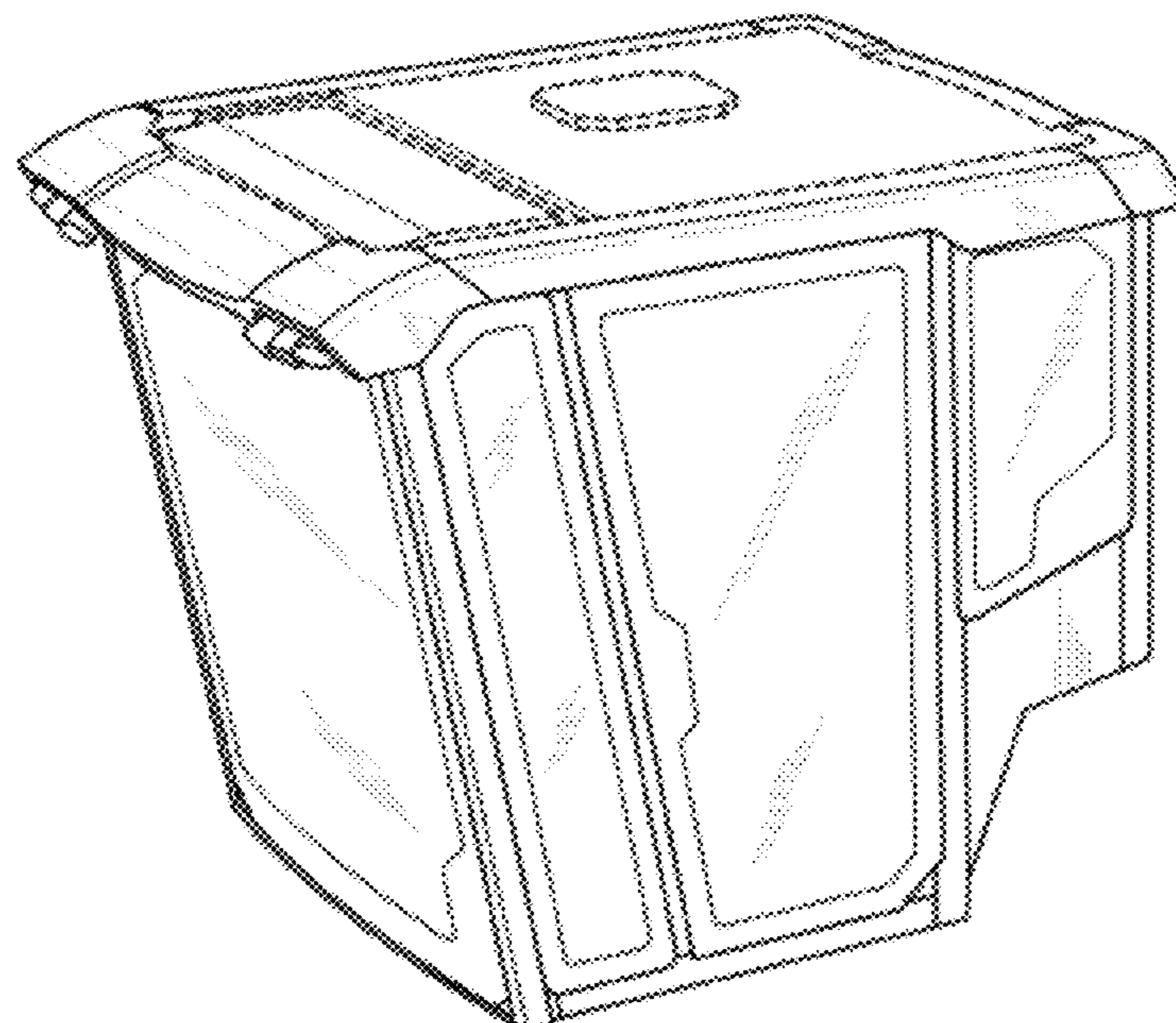
(57) **CLAIM**

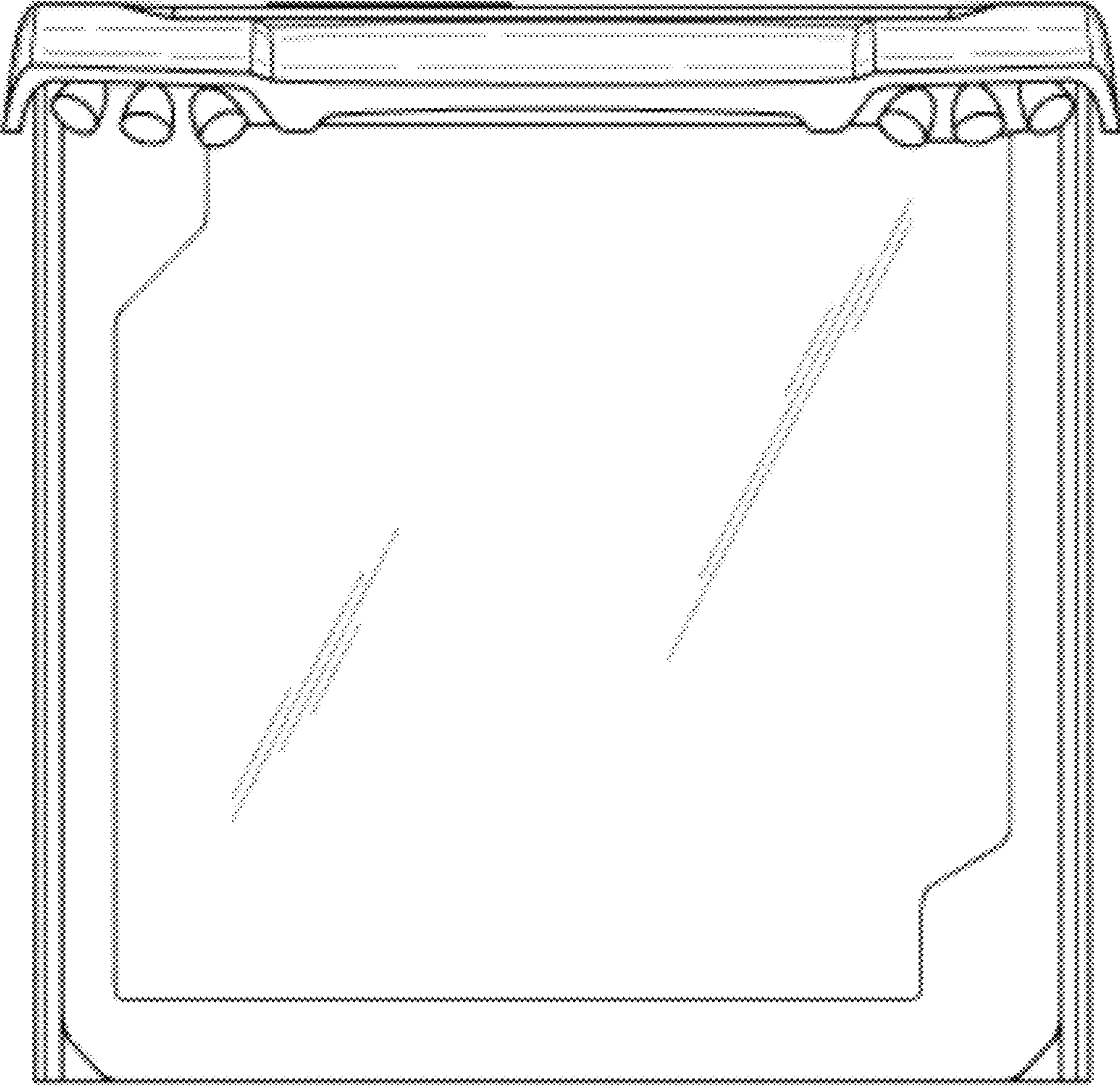
What is claimed is the ornamental design for a cab for a road construction machine, as shown and described.

**DESCRIPTION**

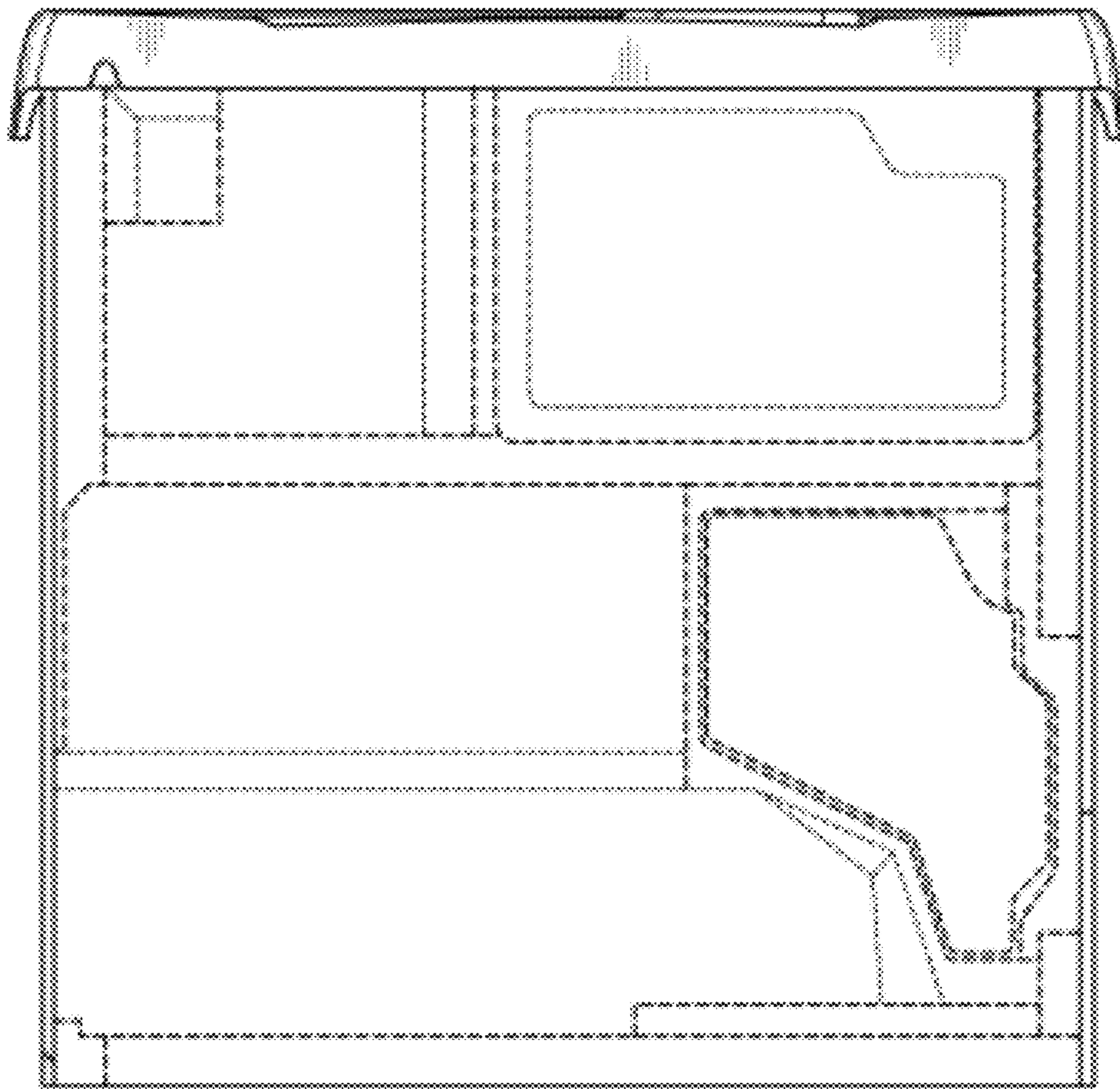
FIG. 1 is a front elevational view of a cab for a road construction machine showing our new design.  
FIG. 2 is a rear elevation view thereof.  
FIG. 3 is a top plan view thereof.  
FIG. 4 is a left side elevation view thereof.  
FIG. 5 is a right side elevation view thereof.  
FIG. 6 is a left front perspective view thereof; and,  
FIG. 7 is a right front perspective view thereof.  
The broken lines are shown for environmental purposes only and form no part of the claimed design.

**1 Claim, 7 Drawing Sheets**



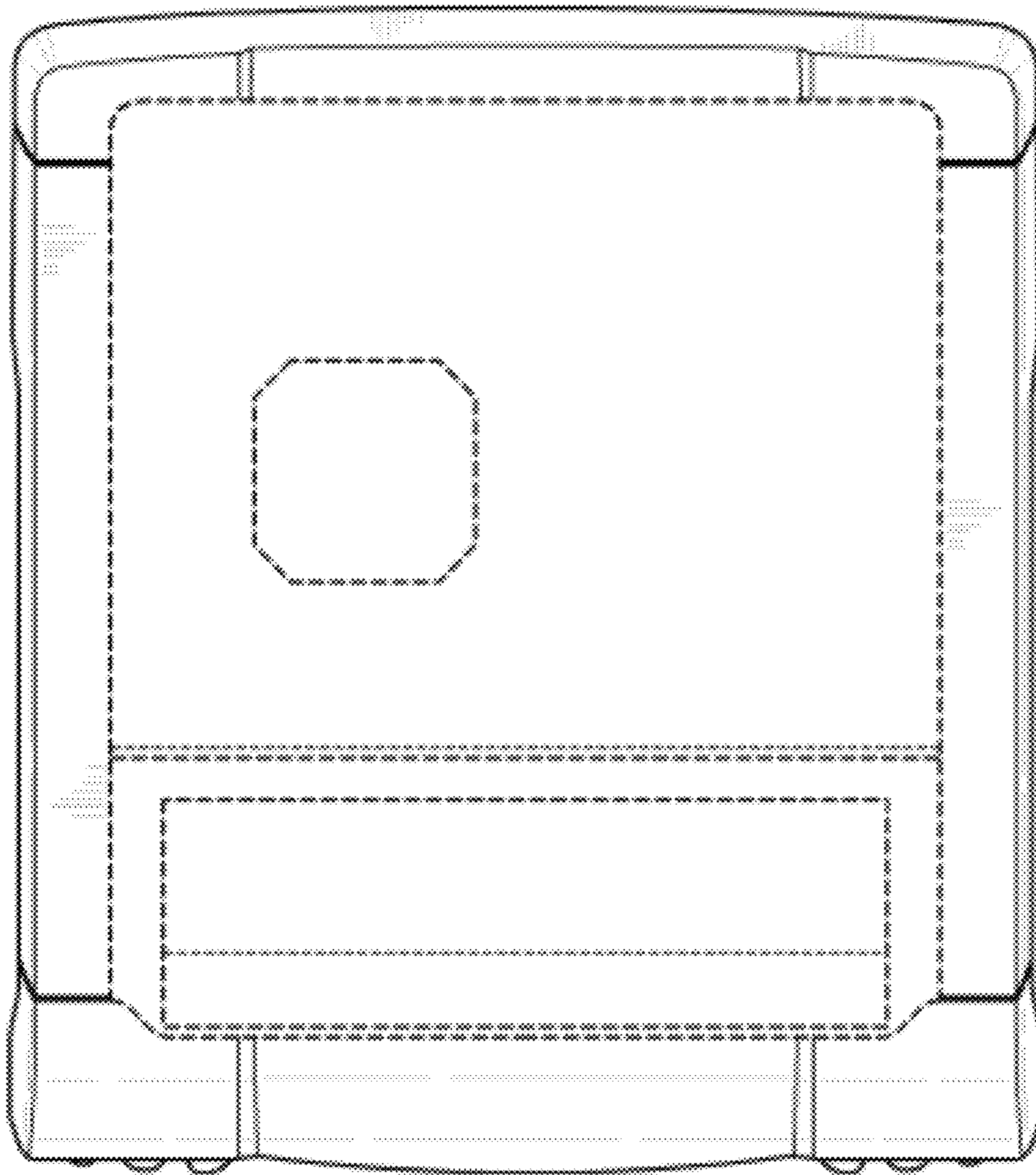


**FIG. 1**

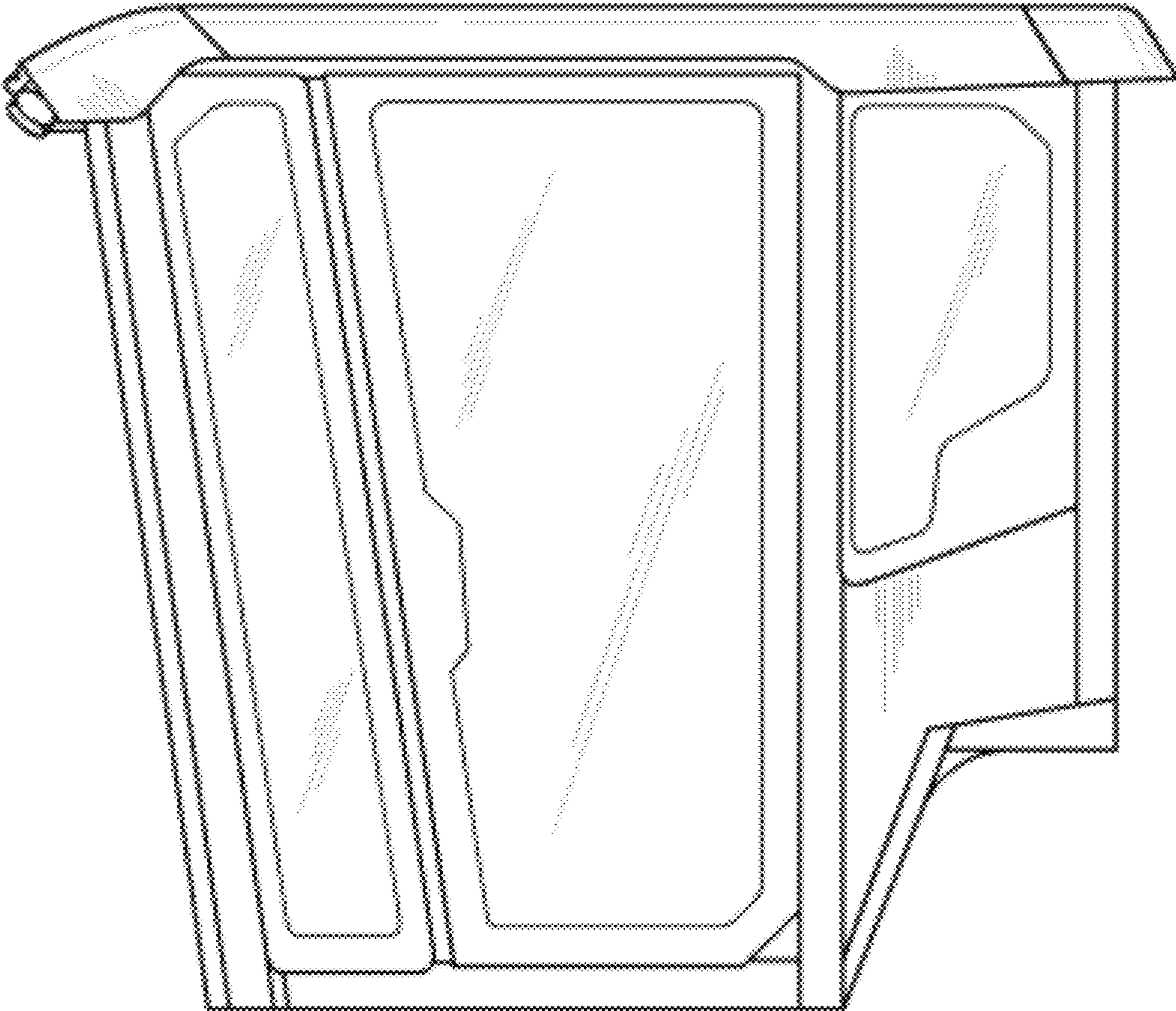


**FIG. 2**

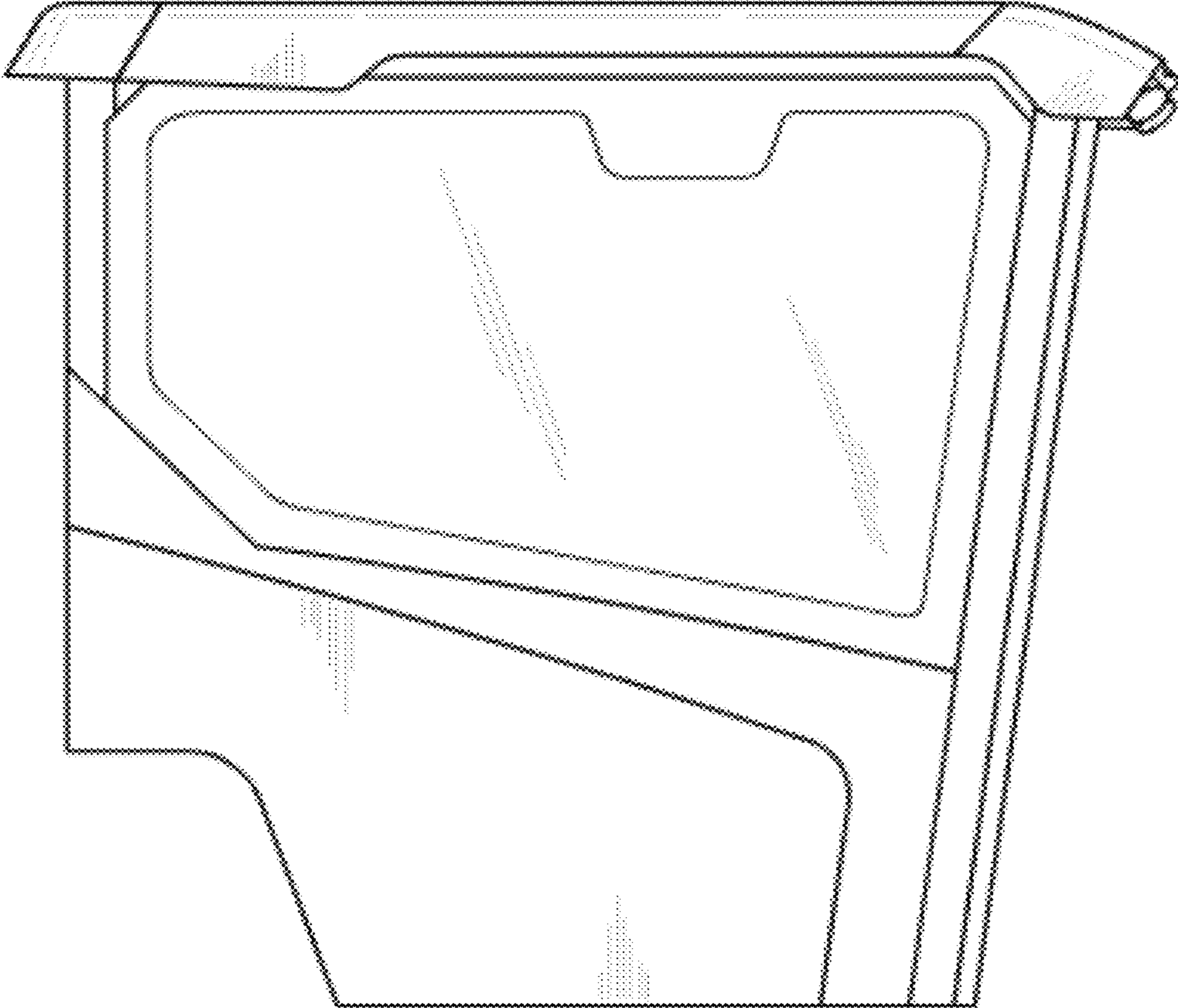




***FIG. 3***

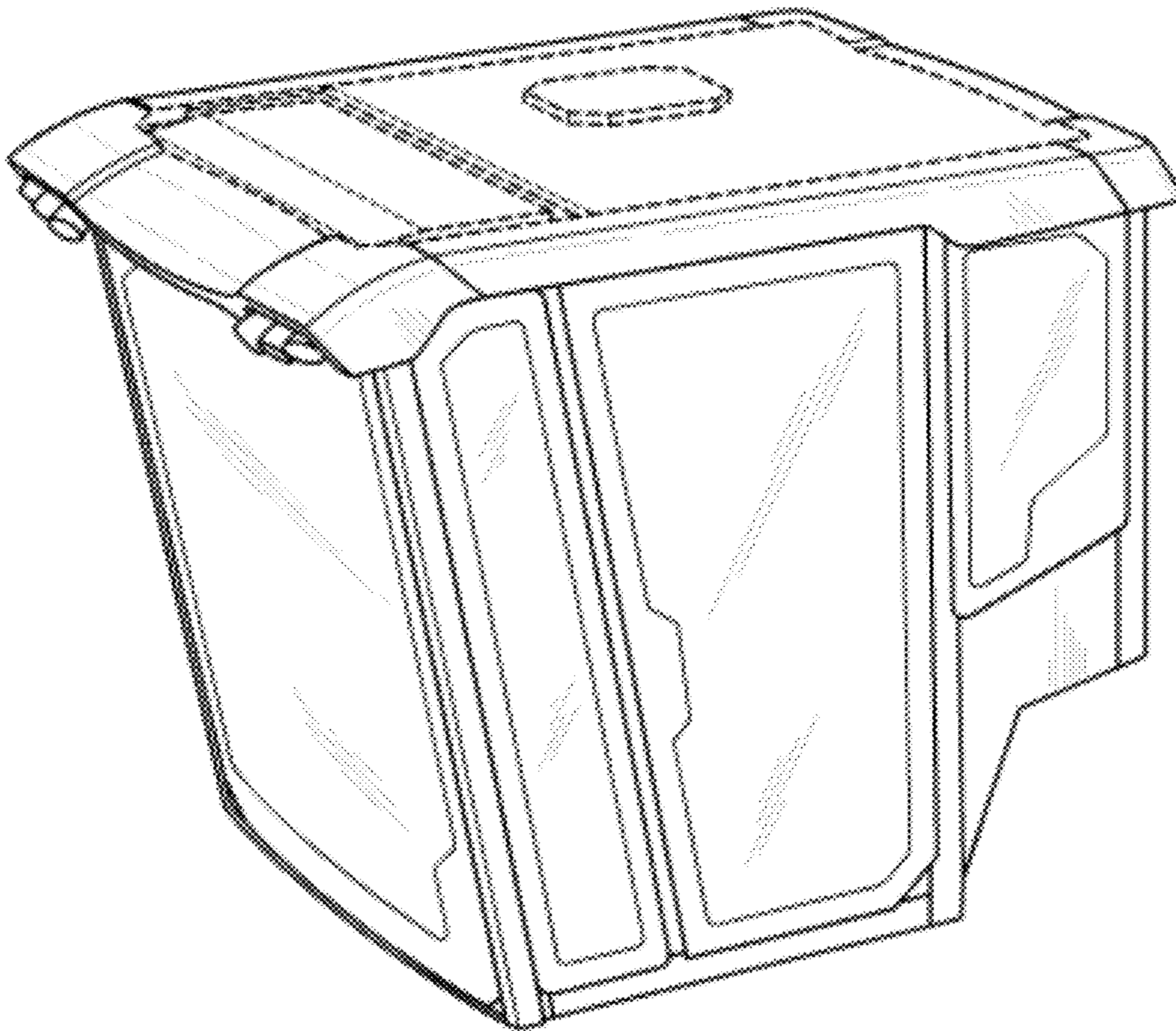


**FIG. 4**

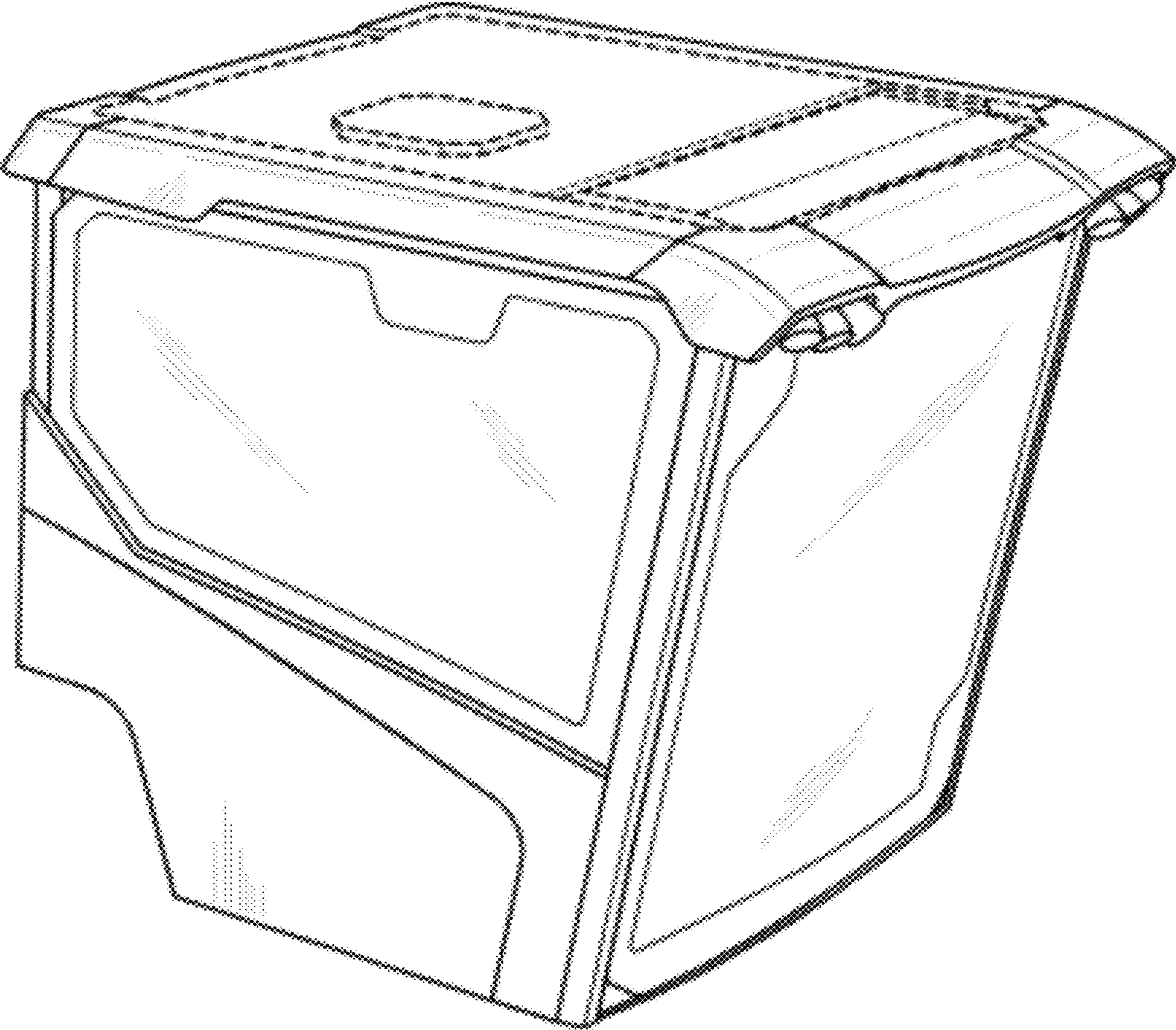


**FIG. 5**





***FIG. 6***



**FIG. 7**