



US00D660880S

(12) **United States Design Patent**  
**Laugerette**

(10) **Patent No.:** **US D660,880 S**

(45) **Date of Patent:** **\*\* May 29, 2012**

(54) **CRANE CAB**

(75) Inventor: **Marc Laugerette**, Voilevres (FR)

(73) Assignee: **Manitowoc Crane Group France** (FR)

(\*\*) Term: **14 Years**

(21) Appl. No.: **29/367,034**

(22) Filed: **Aug. 2, 2010**

(30) **Foreign Application Priority Data**

Feb. 2, 2010 (EP) ..... 001 664 574-0002

(51) **LOC (9) Cl.** ..... **15-30**

(52) **U.S. Cl.** ..... **D15/30**

(58) **Field of Classification Search** ..... D15/10,  
D15/22-26, 28, 30, 31; 180/89.11, 89.12,  
180/89.13, 89.19, 900; 296/190.01, 190.08,  
296/210, 190, 202

See application file for complete search history.

(56) **References Cited**

**U.S. PATENT DOCUMENTS**

D249,523 S *	9/1978	Segales	.....	D15/30
D273,494 S *	4/1984	Hurlburt et al.	.....	D15/30
D275,199 S *	8/1984	Schmidt et al.	.....	D15/30
D288,206 S *	2/1987	Moscovitch	.....	D15/30
D292,632 S *	11/1987	Lich	.....	D34/37
D323,659 S *	2/1992	Jacobsson	.....	D15/30
D348,270 S *	6/1994	Lehmann-Brendel et al.	.....	D15/30
D366,267 S *	1/1996	Lepoix	.....	D15/30
D463,462 S *	9/2002	Yanagida et al.	.....	D15/30
D479,536 S *	9/2003	Dahl et al.	.....	D15/30

D497,920 S *	11/2004	Antonetti	.....	D15/30
D523,029 S *	6/2006	Crawford et al.	.....	D15/30
D528,134 S *	9/2006	Vandendriessche et al.	..	D15/30
D531,647 S *	11/2006	Stender et al.	.....	D15/30
D541,825 S *	5/2007	Petterson	.....	D15/30
D541,826 S *	5/2007	Brush et al.	.....	D15/30
D561,205 S *	2/2008	Petterson	.....	D15/30
D579,028 S *	10/2008	VanDeVeer et al.	.....	D15/30
D605,207 S *	12/2009	Menges et al.	.....	D15/30
D614,674 S *	4/2010	Hobenshield et al.	.....	D15/30
D635,156 S *	3/2011	Berning et al.	.....	D15/30
D636,795 S *	4/2011	Yamamoto et al.	.....	D15/30
D637,630 S *	5/2011	Yamamoto et al.	.....	D15/30
D642,205 S *	7/2011	Yamamoto et al.	.....	D15/30

\* cited by examiner

*Primary Examiner* — Mark Goodwin

(74) *Attorney, Agent, or Firm* — Cantor Colburn LLP

(57) **CLAIM**

I claim, the ornamental design for a crane cab, as shown and described.

**DESCRIPTION**

FIG. 1 is a front elevation view of a crane cab, showing my new design;

FIG. 2 is a rear elevation view thereof;

FIG. 3 is a side elevation view thereof taken from the left of FIG. 1;

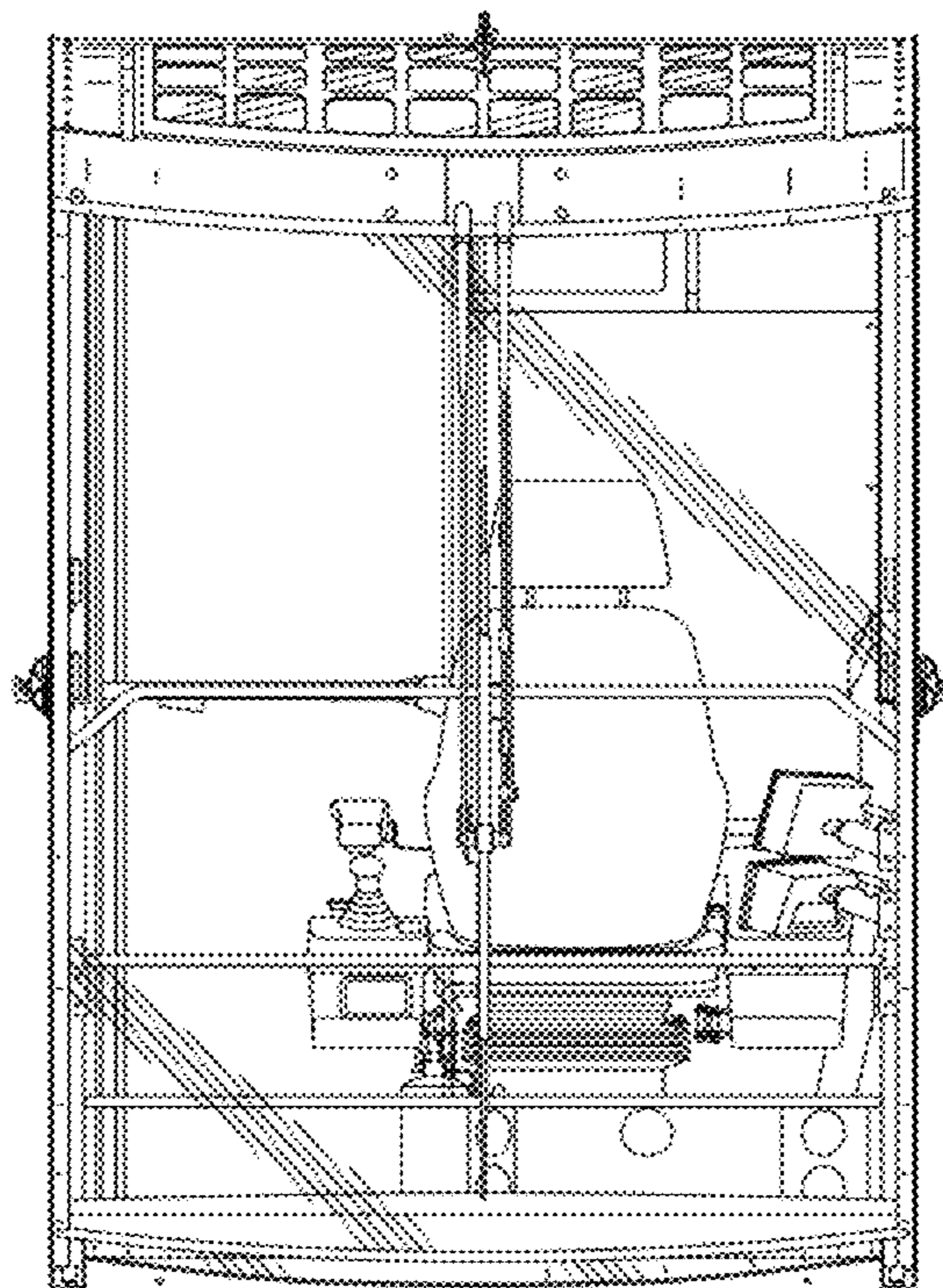
FIG. 4 is a front perspective view thereof;

FIG. 5 is a side elevation view thereof taken from the right of FIG. 1;

FIG. 6 is a top plan view thereof; and,

FIG. 7 is a bottom plan view thereof.

**1 Claim, 7 Drawing Sheets**



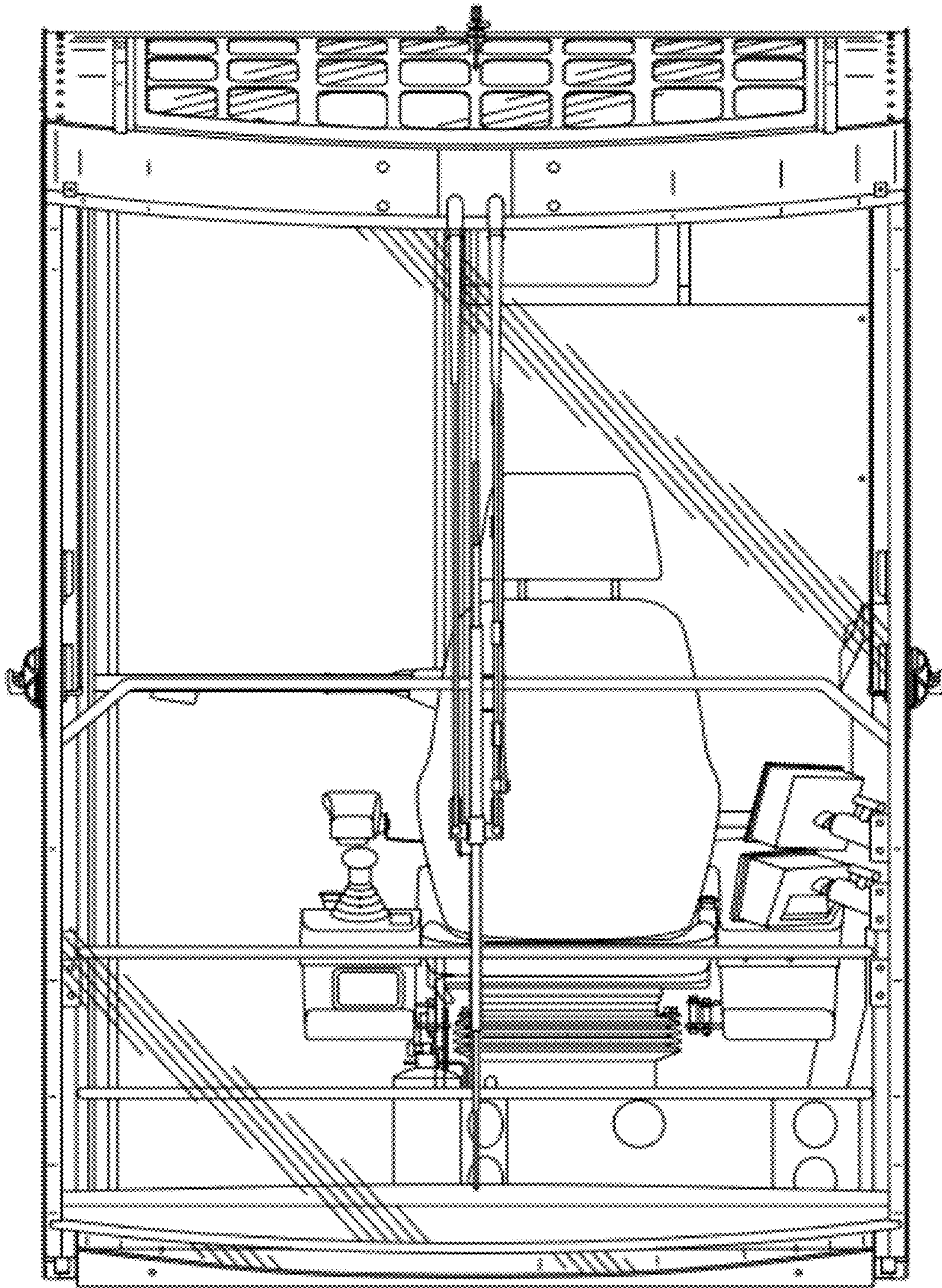


FIG. 1

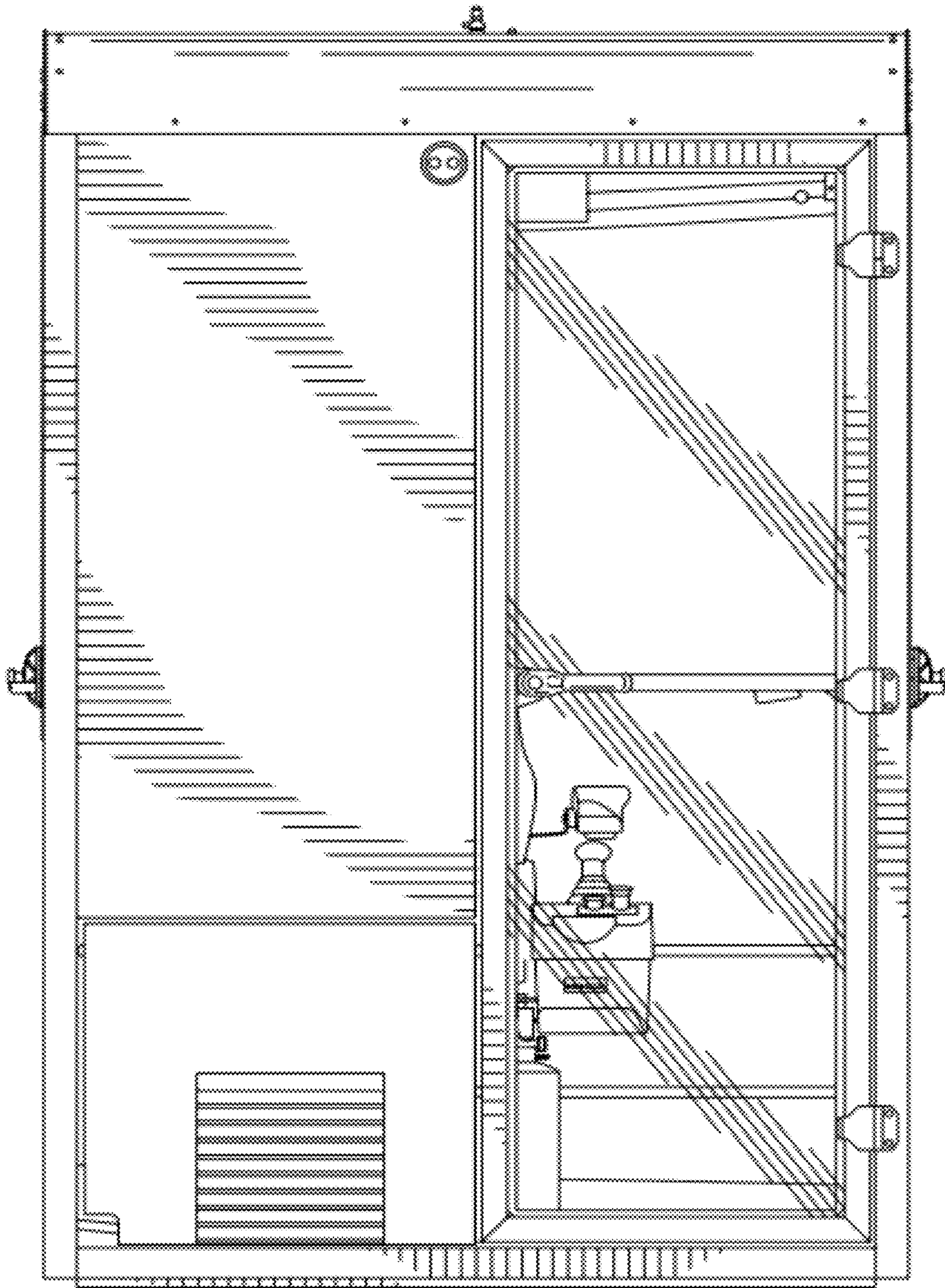


FIG. 2

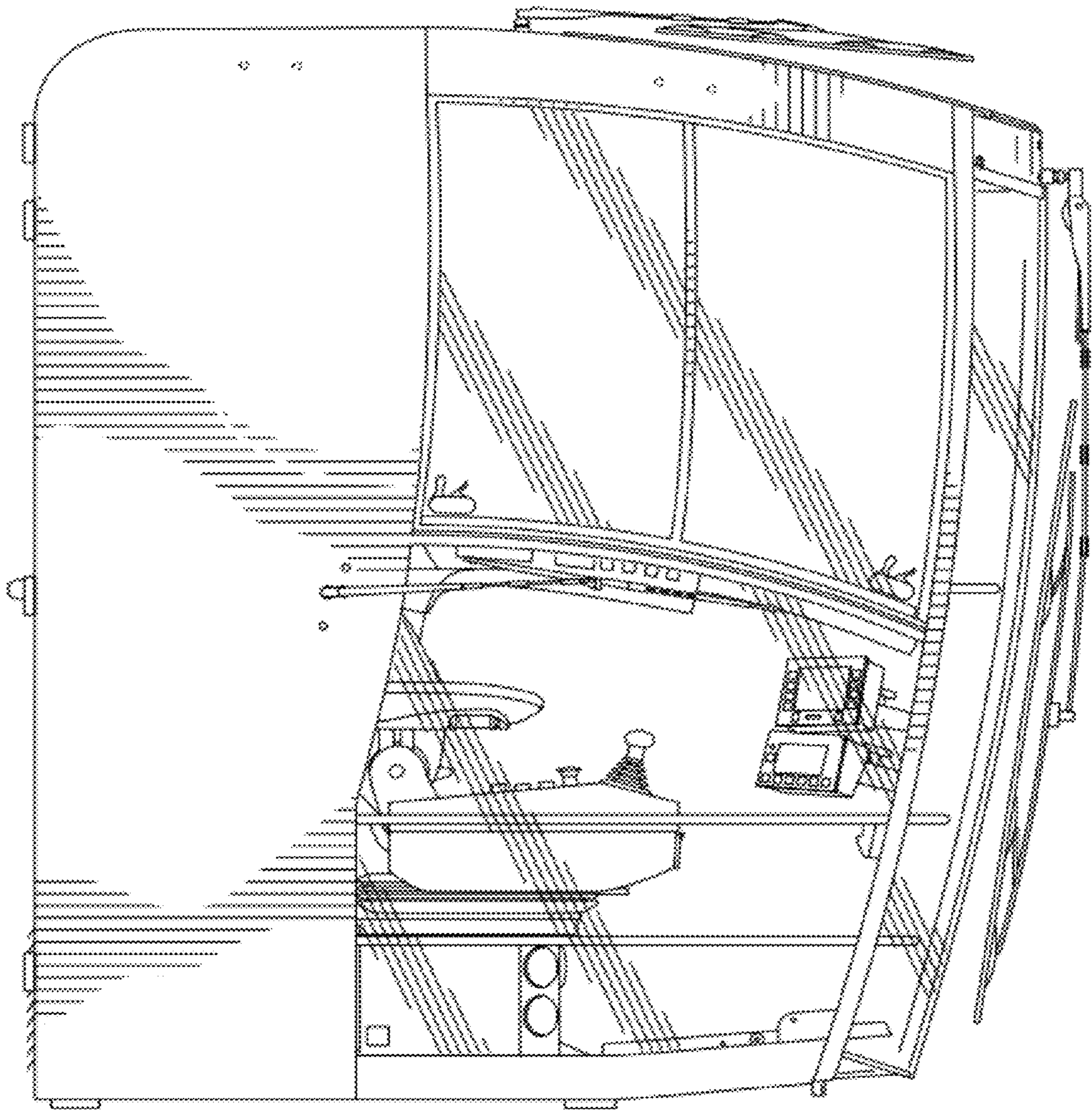


FIG. 3

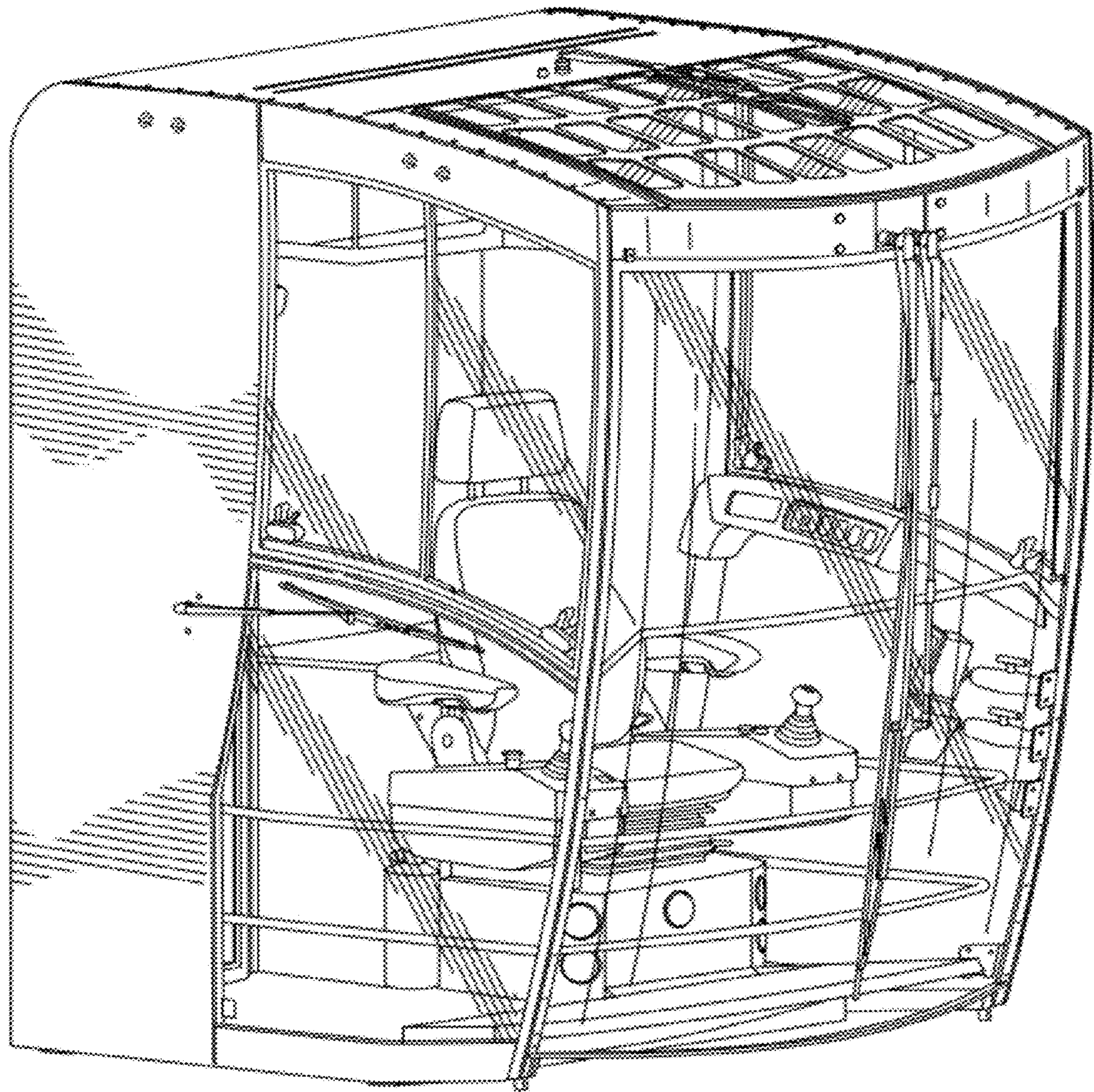


FIG. 4

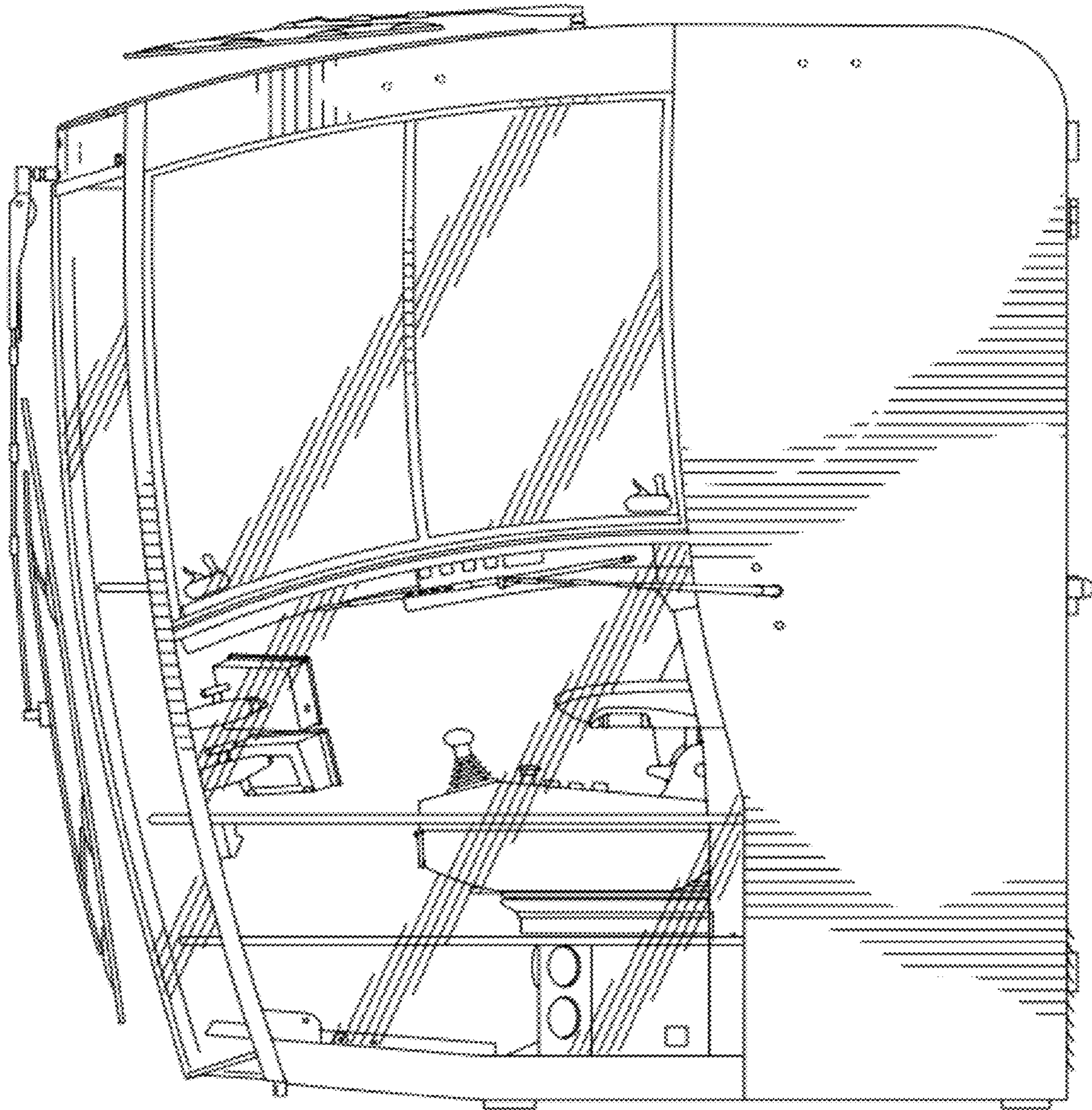


FIG. 5

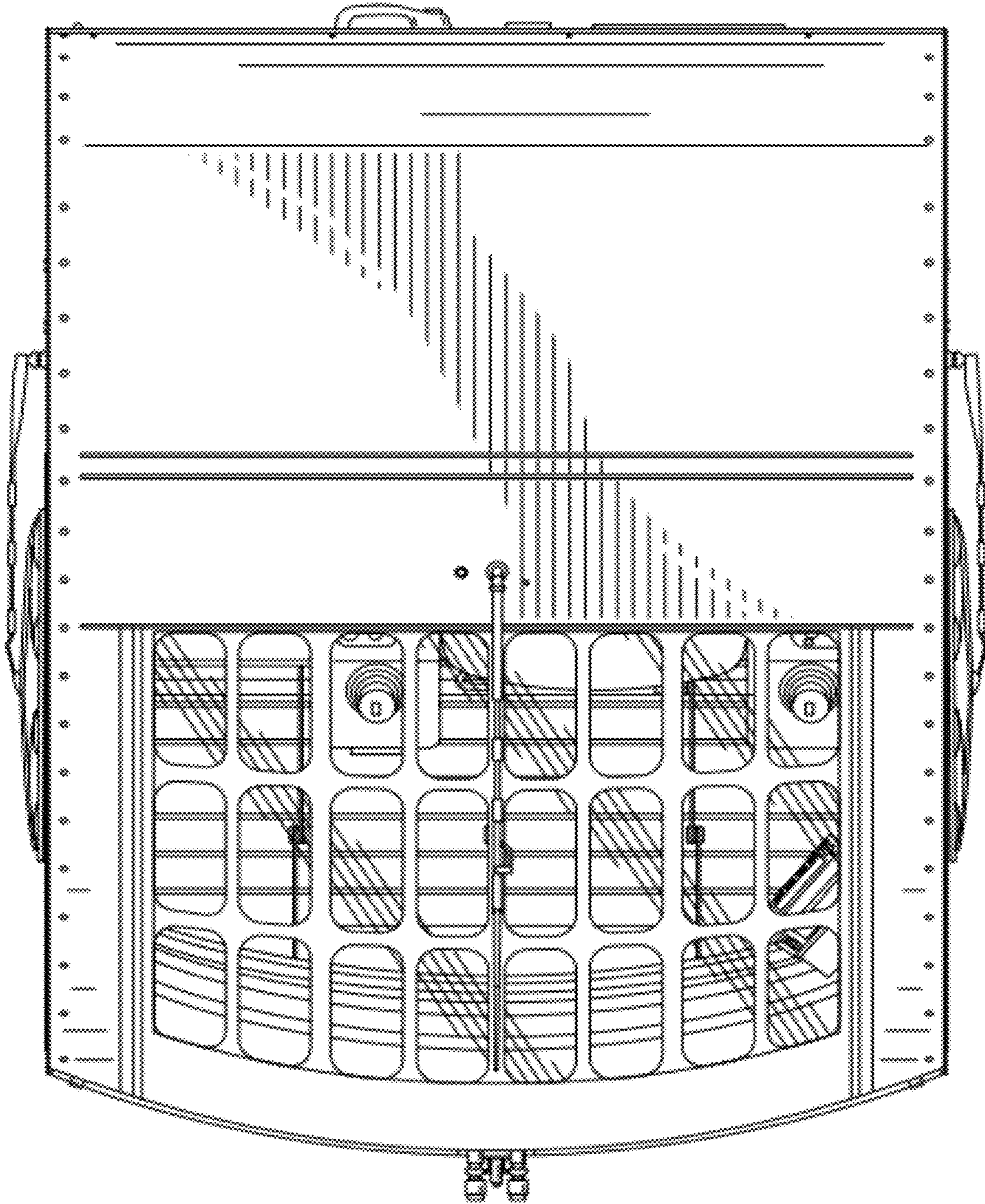


FIG. 6

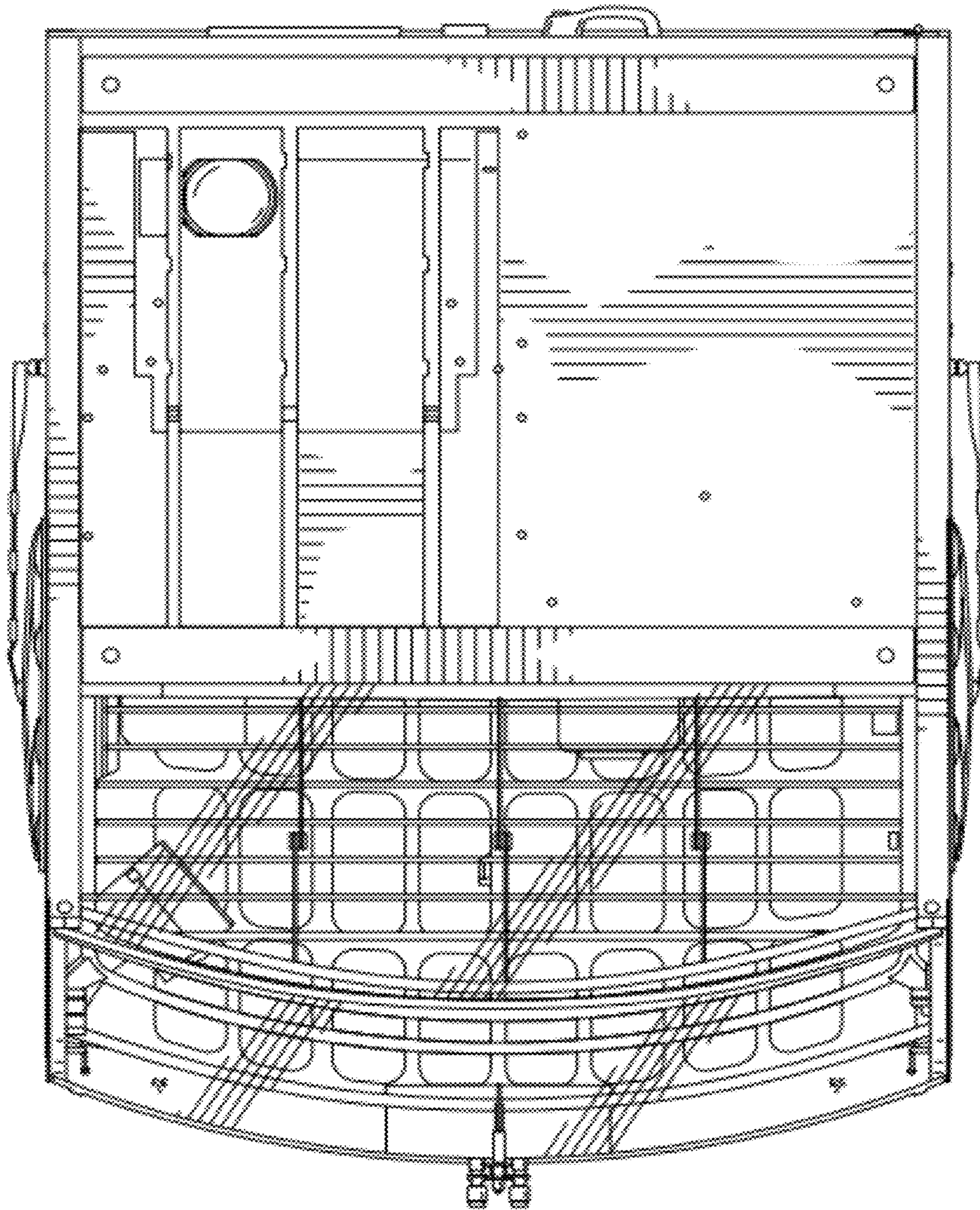


FIG. 7