



US00D660877S

(12) **United States Design Patent**
Caron et al.

(10) **Patent No.:** **US D660,877 S**

(45) **Date of Patent:** **** May 29, 2012**

(54) **TRACK-SHOE**

(75) Inventors: **James O. Caron**, Modesto, CA (US);
David E. Williams, Oakdale, CA (US)

(73) Assignee: **Caron Compactor Company**, Escalon,
CA (US)

(**) Term: **14 Years**

(21) Appl. No.: **29/368,741**

(22) Filed: **Aug. 27, 2010**

(51) **LOC (9) Cl.** **15-03**

(52) **U.S. Cl.** **D15/28**

(58) **Field of Classification Search** D15/22-26,
D15/28; D21/537, 431, 495; 180/89.12,
180/89.1, 900; 152/209.12, 108, 88, 171-173,
152/165, 178; 305/191, 193, 192, 161, 178,
305/194, 160, 180, 179, 43, 40, 53, 44, 46,
305/50, 167, 196, 198, 162, 169, 177, 185,
305/200-202, 171, 195, 189, 187; 404/121

See application file for complete search history.

(56) **References Cited**

U.S. PATENT DOCUMENTS

1,952,545	A *	3/1934	Gotshall	29/891.1
2,549,930	A *	4/1951	Riegel et al.	219/635
2,874,005	A *	2/1959	Engstrom	305/192
D186,214	S *	9/1959	Francis	D15/28
3,089,021	A *	5/1963	Hawes et al.	219/104
3,372,959	A *	3/1968	Watts, Jr.	305/191
3,972,570	A *	8/1976	Massieon	305/191
4,094,557	A *	6/1978	Miller	305/191
4,434,642	A *	3/1984	Rasmussen	72/356
4,605,264	A *	8/1986	Tonsor	305/47
4,750,792	A	6/1988	Caron et al.		
4,865,400	A	9/1989	Caron et al.		

6,017,103	A *	1/2000	Villard	305/192
7,066,562	B2 *	6/2006	Rasmussen	305/191
D598,937	S *	8/2009	Lyasko	D15/28
D599,381	S *	9/2009	Chiang	D15/28
7,946,662	B2 *	5/2011	Maeda	305/198
2003/0062772	A1 *	4/2003	Rasmussen	305/191
2003/0090151	A1 *	5/2003	Takeo et al.	305/185
2005/0253454	A1 *	11/2005	Rasmussen	305/191
2009/0026836	A1 *	1/2009	Maeda	305/198
2009/0045674	A1 *	2/2009	Maeda	305/198

OTHER PUBLICATIONS

Brochure, The New Caron Recycling Demolition Pad Designed To Have A Crushing Effect On Your Operation, Caron Compactor Company (1page) (Circa 1990s).

* cited by examiner

Primary Examiner — Mark Goodwin

(74) *Attorney, Agent, or Firm* — Vista IP Law Group LLP

(57) **CLAIM**

The ornamental design for the track-shoe, as shown and described.

DESCRIPTION

FIG. 1 is a perspective view of the track-shoe showing my new design;

FIG. 2 is a top plan view of the track-shoe;

FIG. 3 is a bottom plan view of the track-shoe;

FIG. 4 is a front elevational view of the track-shoe;

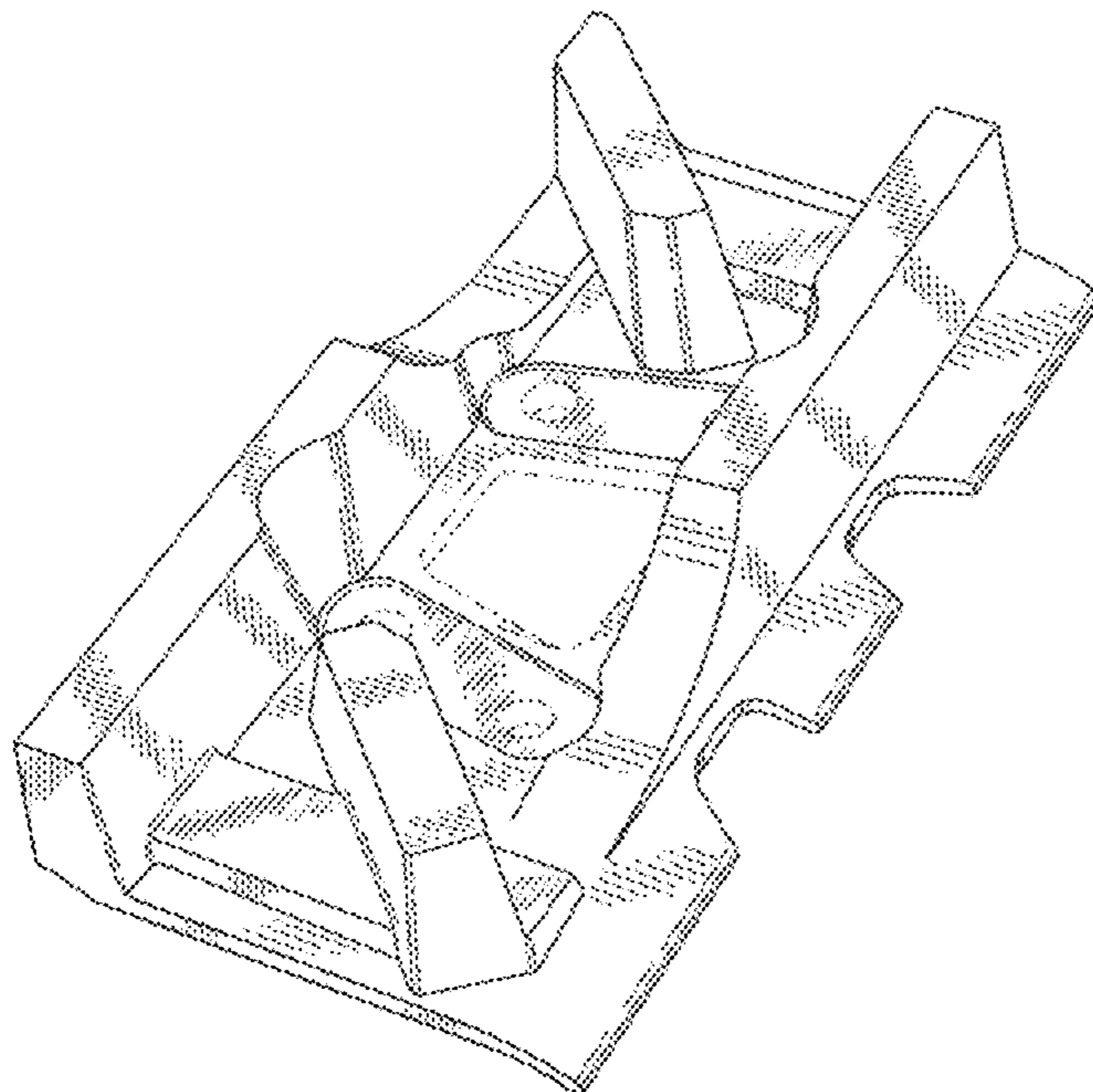
FIG. 5 is a rear elevational view of the track-shoe;

FIG. 6 is a right elevational view of the track-shoe; and,

FIG. 7 is a left elevational view of the track-shoe.

The broken line showing of a hole, aperture, or other ornamentation is included for the purpose of illustrating portions of the track-shoe and forms no part of the claimed design.

1 Claim, 5 Drawing Sheets



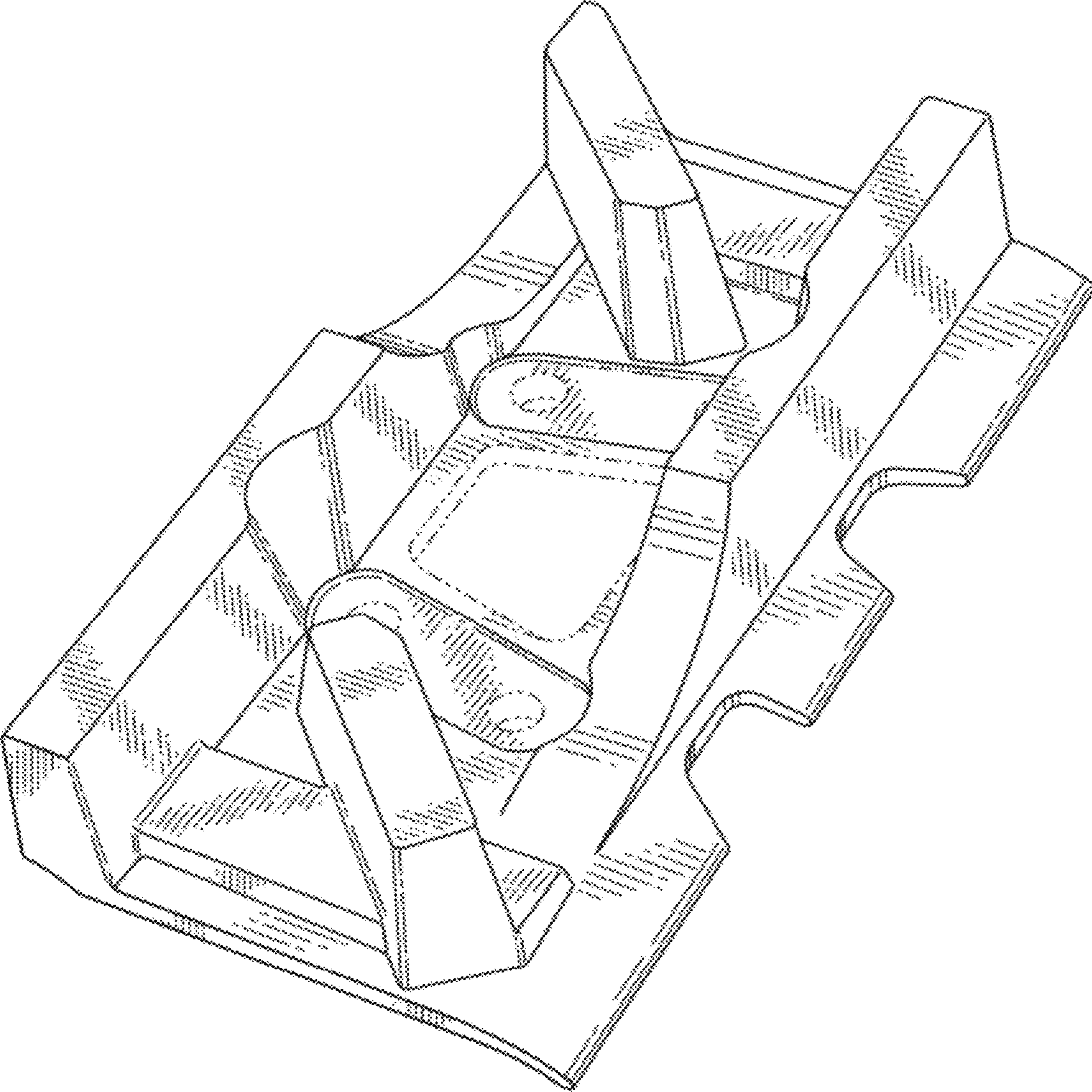


FIG. 1

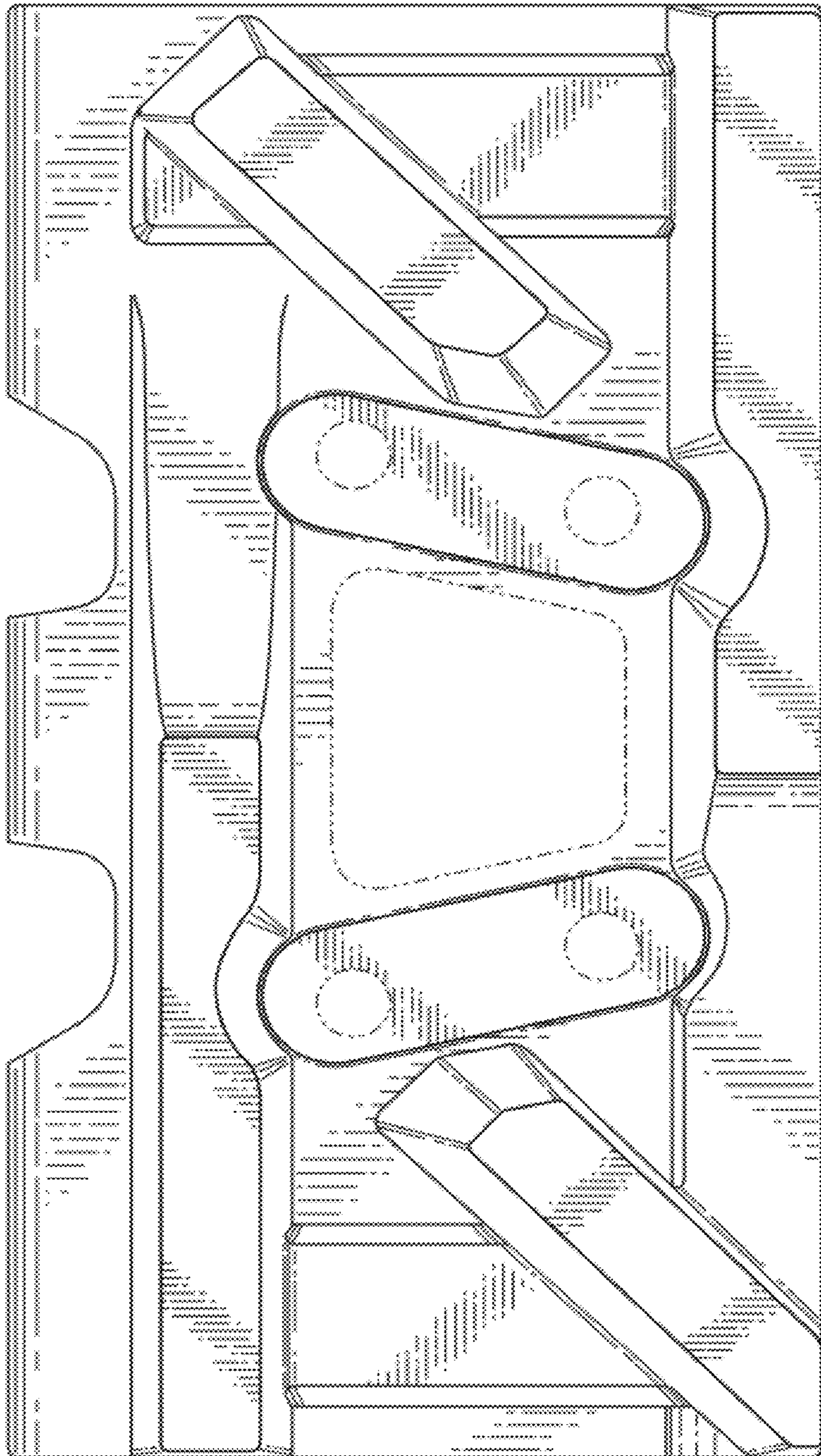


FIG. 2

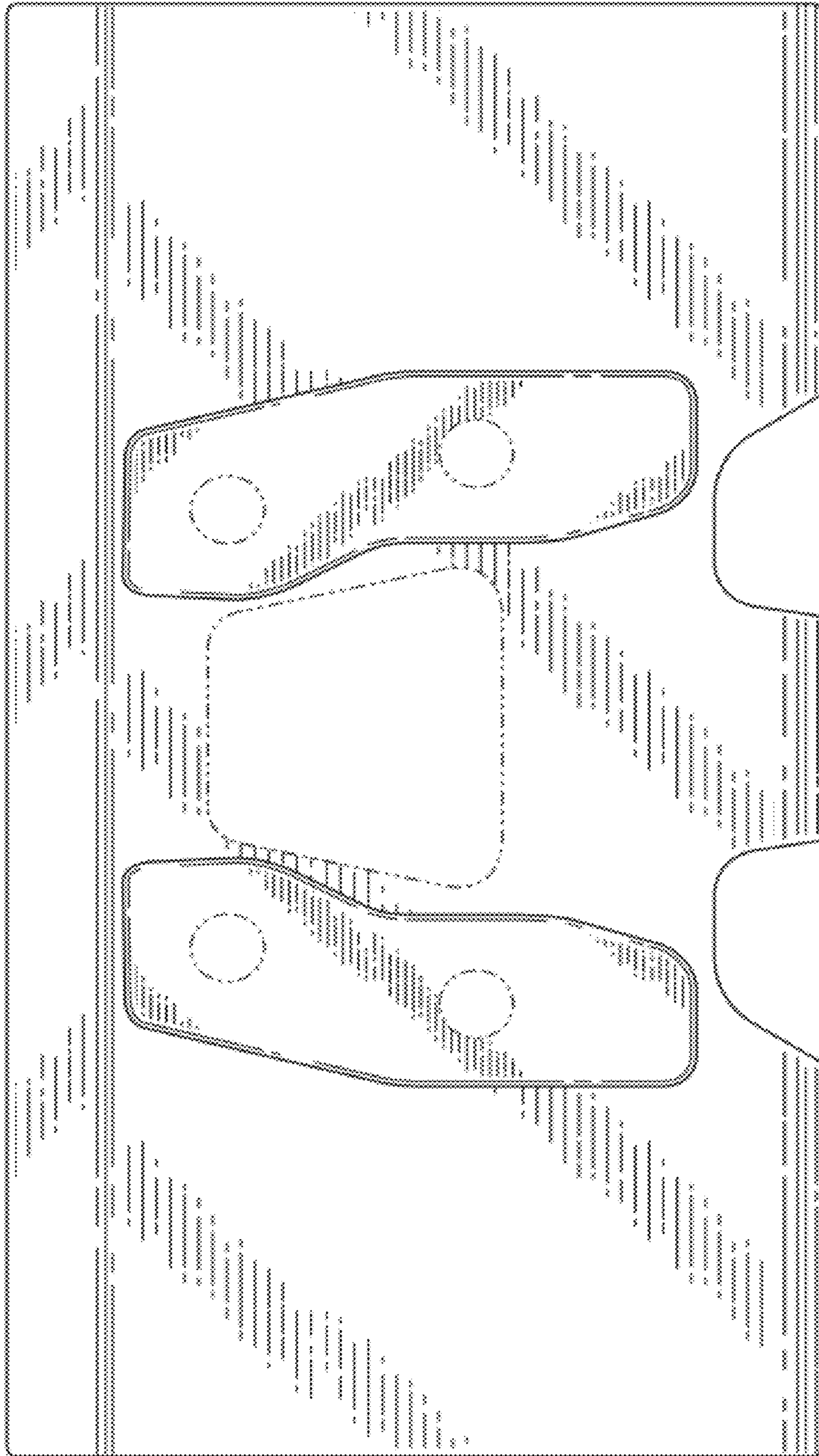


FIG. 3

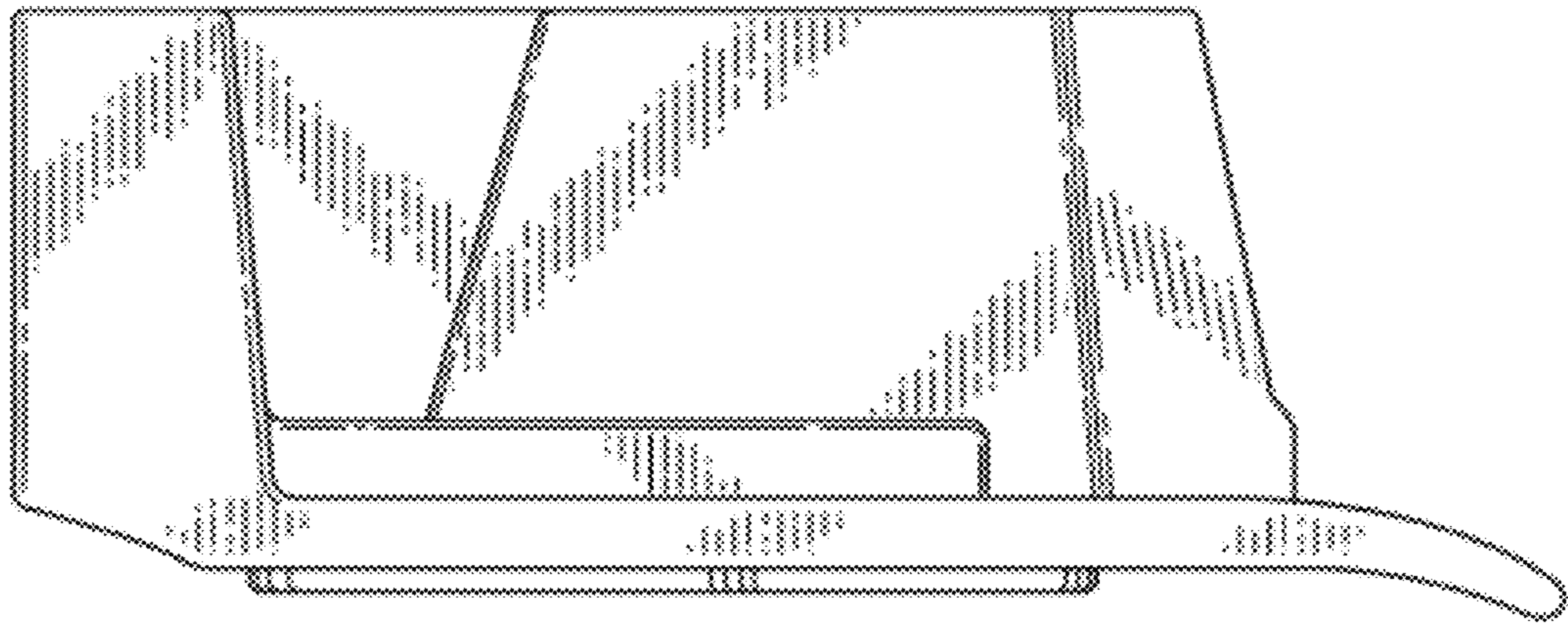


FIG. 4

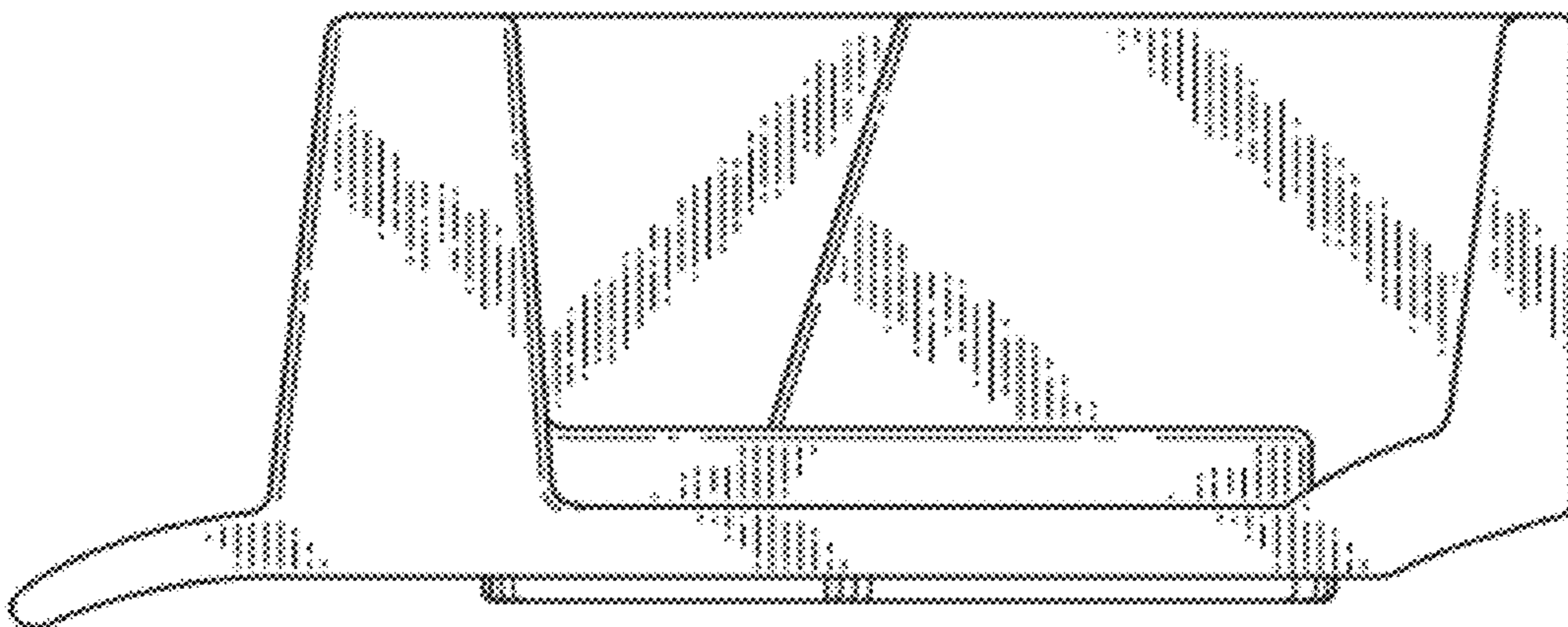


FIG. 5

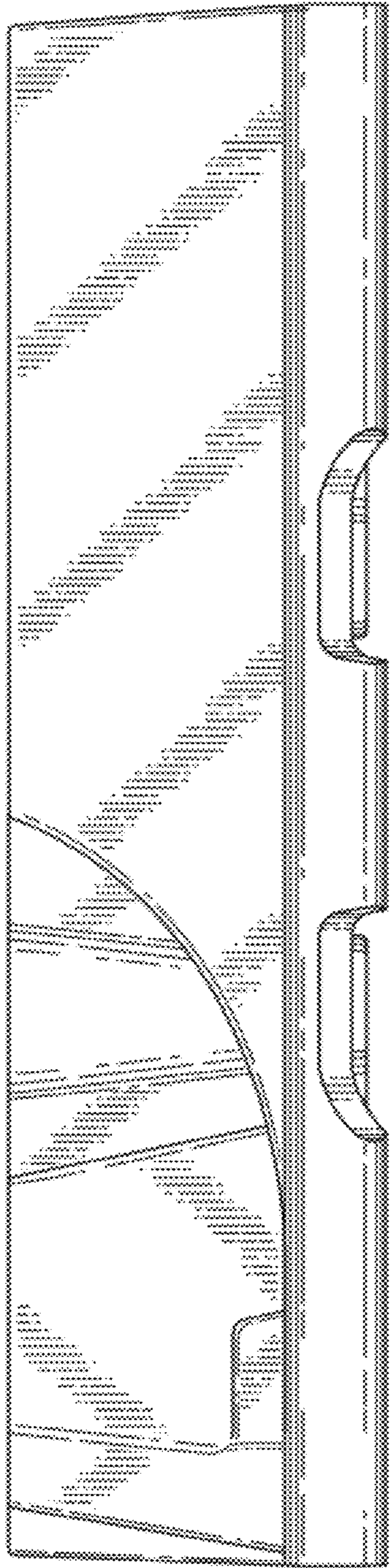


FIG. 6

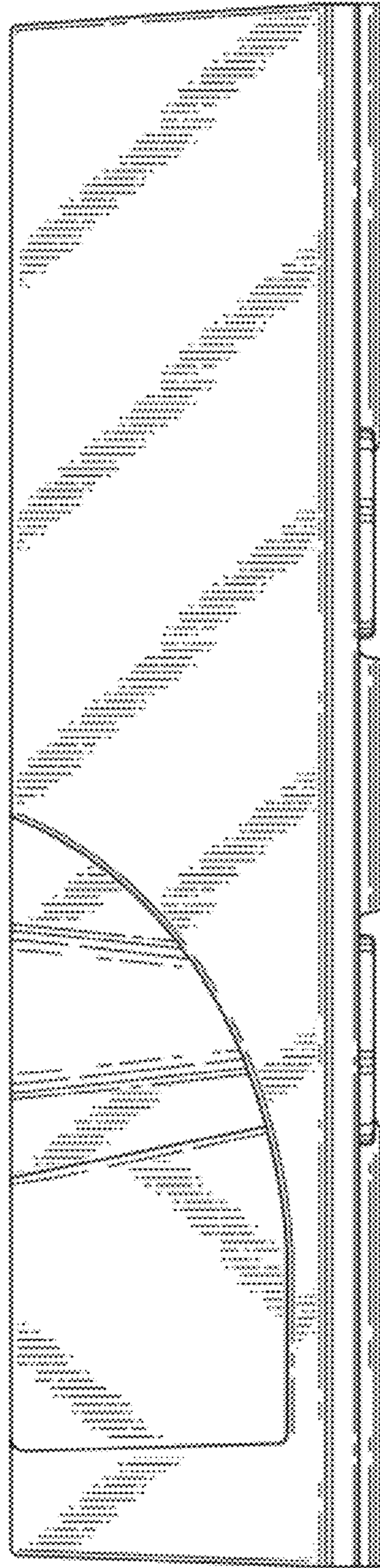


FIG. 7