



US00D660876S

(12) **United States Design Patent**
Ewringmann

(10) **Patent No.:** **US D660,876 S**

(45) **Date of Patent:** **** May 29, 2012**

(54) **FEEDER FOR A ROAD PAVING MACHINE**

(75) Inventor: **Ulrich Ewringmann,**
Taufkirchen-Potzharn (DE)

(73) Assignee: **Joseph Vögele AG,** Ludwigshafen (DE)

(**) Term: **14 Years**

(21) Appl. No.: **29/378,375**

(22) Filed: **Nov. 3, 2010**

(30) **Foreign Application Priority Data**

Aug. 9, 2010 (EP) 001741703

(51) **LOC (9) Cl.** **15-03**

(52) **U.S. Cl.** **D15/22; D15/24**

(58) **Field of Classification Search** D15/22-26,
D15/19, 29, 10; 404/110, 101, 108, 118,
404/105, 75, 102, 84.05, 90-92, 84.1, 84.2,
404/84.5, 84.8, 83; 37/18 R, 381, 392, 388

See application file for complete search history.

(56) **References Cited**

U.S. PATENT DOCUMENTS

- D135,005 S * 2/1943 Baumgardner D15/10
- 2,591,502 A 4/1952 Bohannan et al.
- 2,779,258 A 1/1957 Johnson
- D184,043 S 12/1958 Dodge
- 3,000,277 A 9/1961 Crane et al.
- D210,658 S 4/1968 Lazzeroni
- 3,405,613 A 10/1968 Gustafson
- 3,453,939 A 7/1969 Pollitz et al.
- 3,561,816 A 2/1971 Koch
- 3,699,855 A 10/1972 Leister
- 3,712,664 A 1/1973 May
- D230,297 S 2/1974 Purcell et al.
- D239,966 S 5/1976 Swisher et al.
- 3,997,277 A 12/1976 Swisher et al.
- 4,139,318 A * 2/1979 Jakob et al. 404/90
- D256,466 S * 8/1980 Smith et al. D15/22
- 4,325,580 A * 4/1982 Swisher et al. 299/39.8

- D275,199 S 8/1984 Schmidt et al.
- D281,881 S 12/1985 Swartzendruber et al.
- D284,668 S 7/1986 Salley et al.
- D284,669 S 7/1986 Clark et al.
- D284,767 S 7/1986 Clark et al.
- D285,081 S 8/1986 Wood
- 4,721,031 A 1/1988 Nakata et al.
- D306,450 S 3/1990 Funabashi et al.
- 5,009,546 A 4/1991 Domenighetti et al.
- D317,011 S 5/1991 Boddin et al.
- D329,435 S 9/1992 Katoh et al.
- 5,201,603 A 4/1993 Bassett et al.
- 5,201,604 A 4/1993 Ferguson et al.

(Continued)

FOREIGN PATENT DOCUMENTS

EP 000539432 11/2006

OTHER PUBLICATIONS

MT 1000-1, Beschicker, advertising brochure, Nov. 2008 (German).

(Continued)

Primary Examiner — Mark Goodwin

(74) *Attorney, Agent, or Firm* — Fish & Richardson P.C.

(57) **CLAIM**

The ornamental design for a feeder for a road paving machine, as shown and described.

DESCRIPTION

FIG. 1 is a perspective view of a feeder for a road paving machine showing my new design.

FIG. 2 is a left side elevation view thereof.

FIG. 3 is a right side elevation view thereof.

FIG. 4 is a front elevation view thereof.

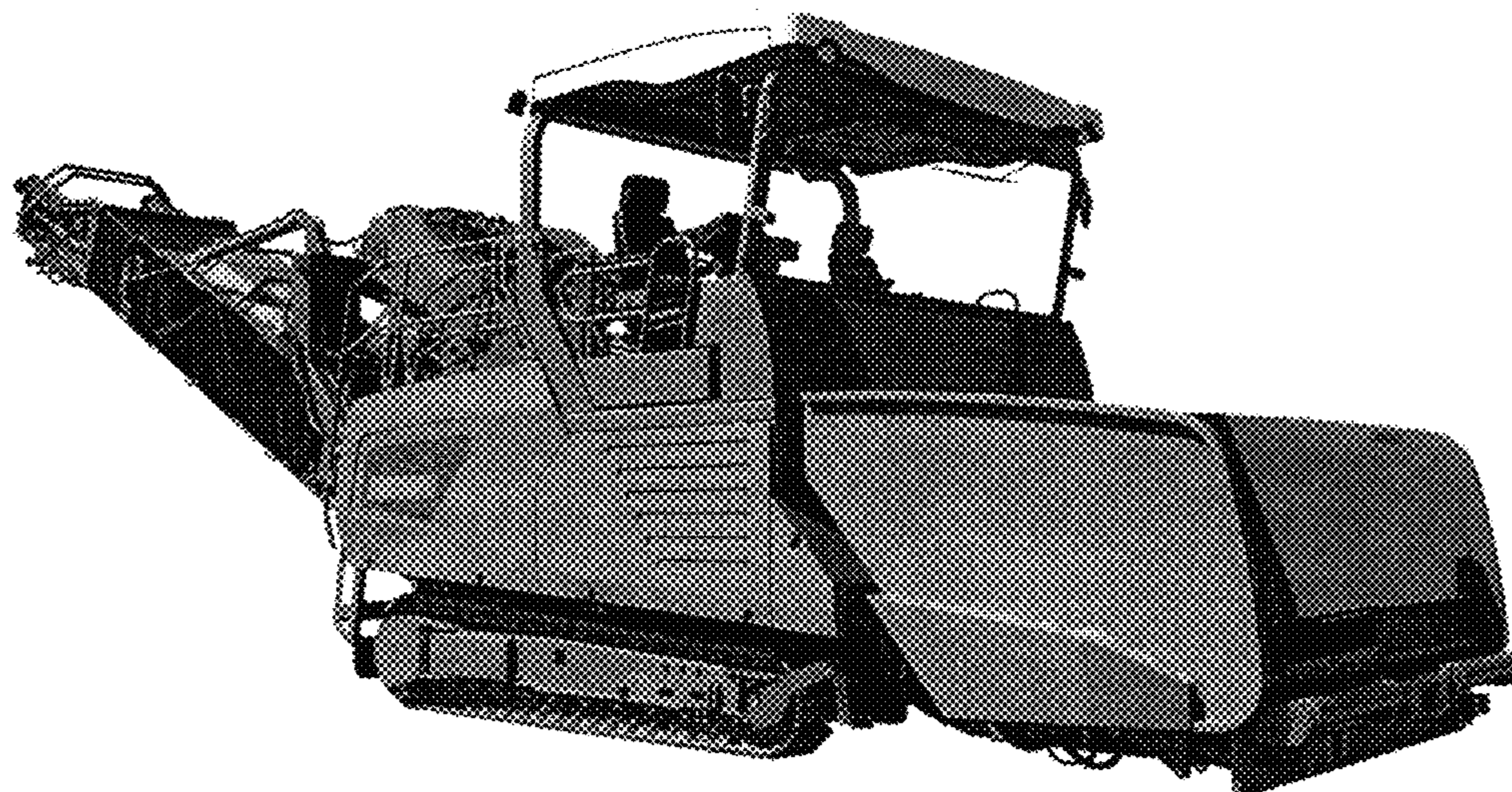
FIG. 5 is a rear elevation view thereof.

FIG. 6 is a top plan view thereof; and,

FIG. 7 is a left rear perspective view thereof.

The bottom view being devoid of surface ornamentation forms no part of the claimed design.

1 Claim, 7 Drawing Sheets



US D660,876 S

Page 2

U.S. PATENT DOCUMENTS

5,269,626 A 12/1993 Soliman et al.
D348,553 S 7/1994 Martin
5,356,238 A 10/1994 Musil et al.
D362,449 S 9/1995 Swisher
5,511,900 A 4/1996 Macku
D370,917 S 6/1996 Swisher
5,615,973 A 4/1997 Campbell
5,695,238 A 12/1997 Calamari et al.
6,071,040 A 6/2000 Macku et al.
6,086,287 A 7/2000 Sharpe et al.
6,099,205 A 8/2000 Macku et al.
6,189,955 B1 2/2001 Fryk et al.
6,193,437 B1 2/2001 Heims
6,309,138 B1 10/2001 Yasu et al.
6,375,386 B1 4/2002 Macku et al.
6,688,682 B2 2/2004 Arthur et al.
6,874,973 B1 * 4/2005 Yoshida 404/91
D507,281 S 7/2005 Komatsu et al.

D507,800 S 7/2005 Kuwae et al.
7,144,192 B2 * 12/2006 Holl et al. 404/93
D578,142 S * 10/2008 Ewringmann D15/22
D626,573 S * 11/2010 Koetting et al. D15/22
D632,308 S * 2/2011 Kopacz et al. D15/19
2003/0143024 A1 7/2003 Sharpe et al.
2005/0093282 A1 * 5/2005 Gaertner et al. 280/775
2006/0045620 A1 * 3/2006 Olson et al. 404/84.1
2006/0045624 A1 3/2006 Nelson
2008/0152428 A1 * 6/2008 Berning et al. 404/84.1

OTHER PUBLICATIONS

MT 1000-1, Mobile Feeder, advertising brochure, Nov. 2008 (English).

PowerFeeder MT 3000-2 Offset, advertising brochure, Trade Fair Bauma in Munich, Apr. 19-25, 2010.

* cited by examiner

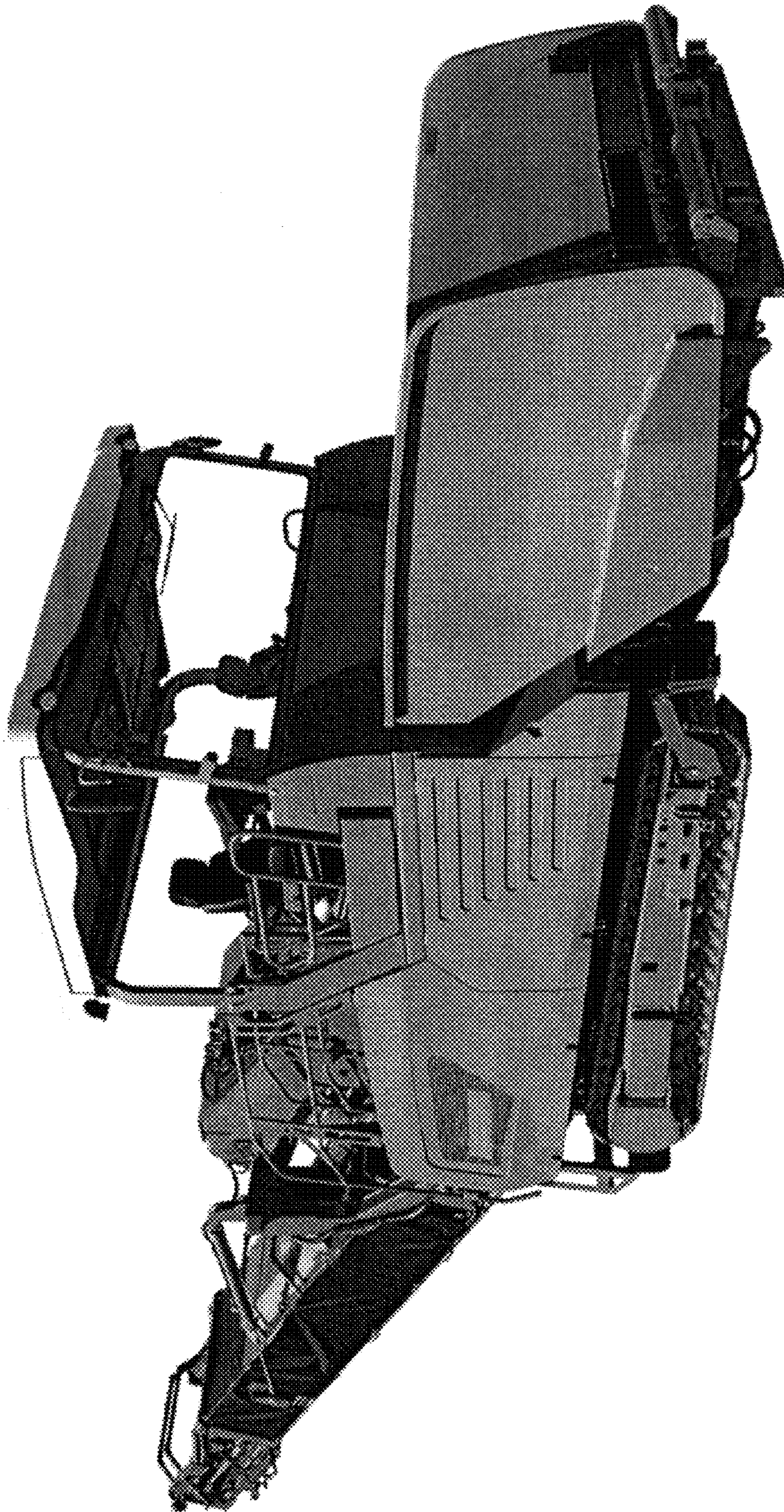


FIG 1

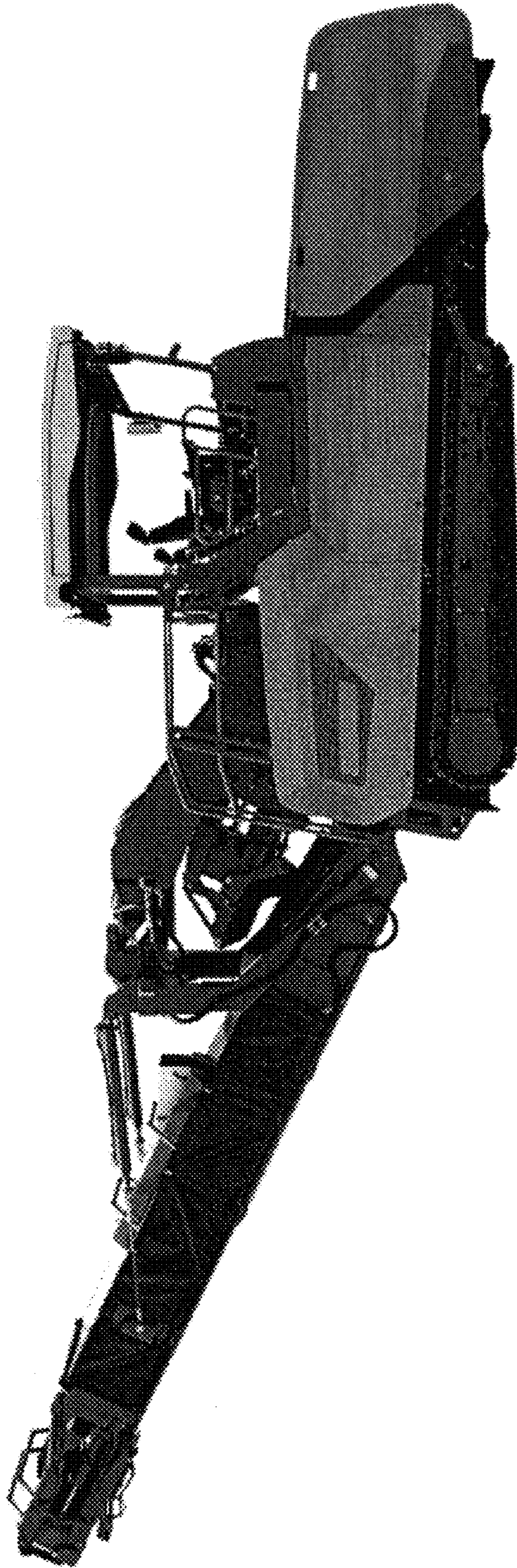


FIG 2

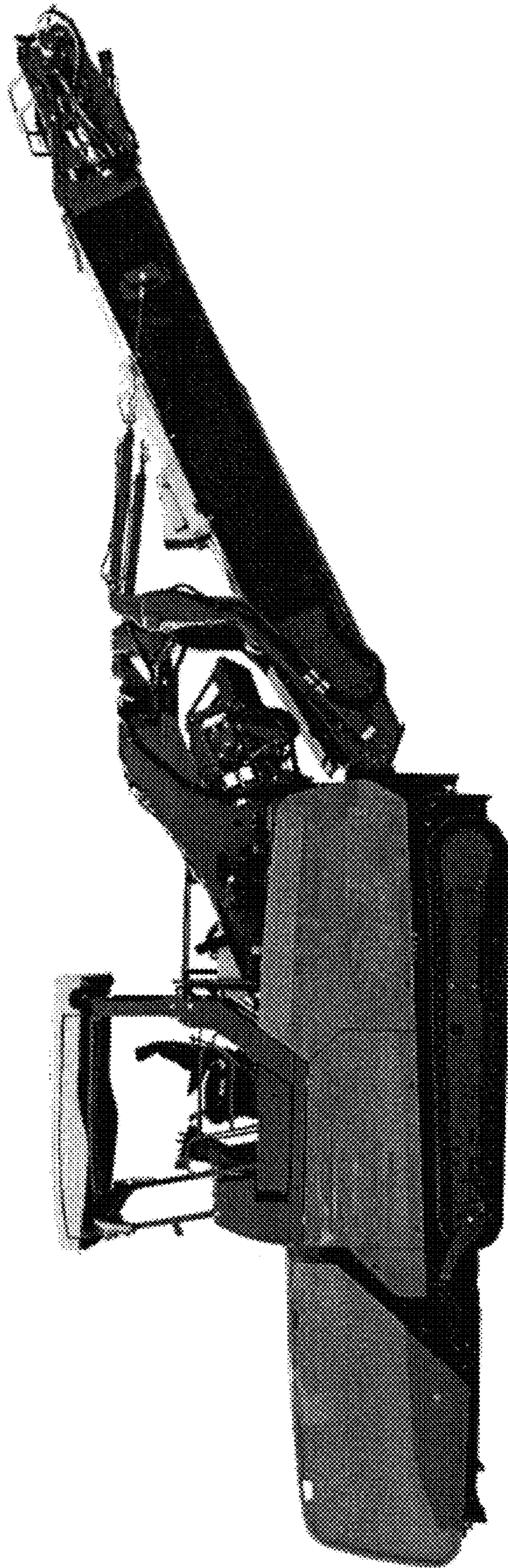


FIG 3

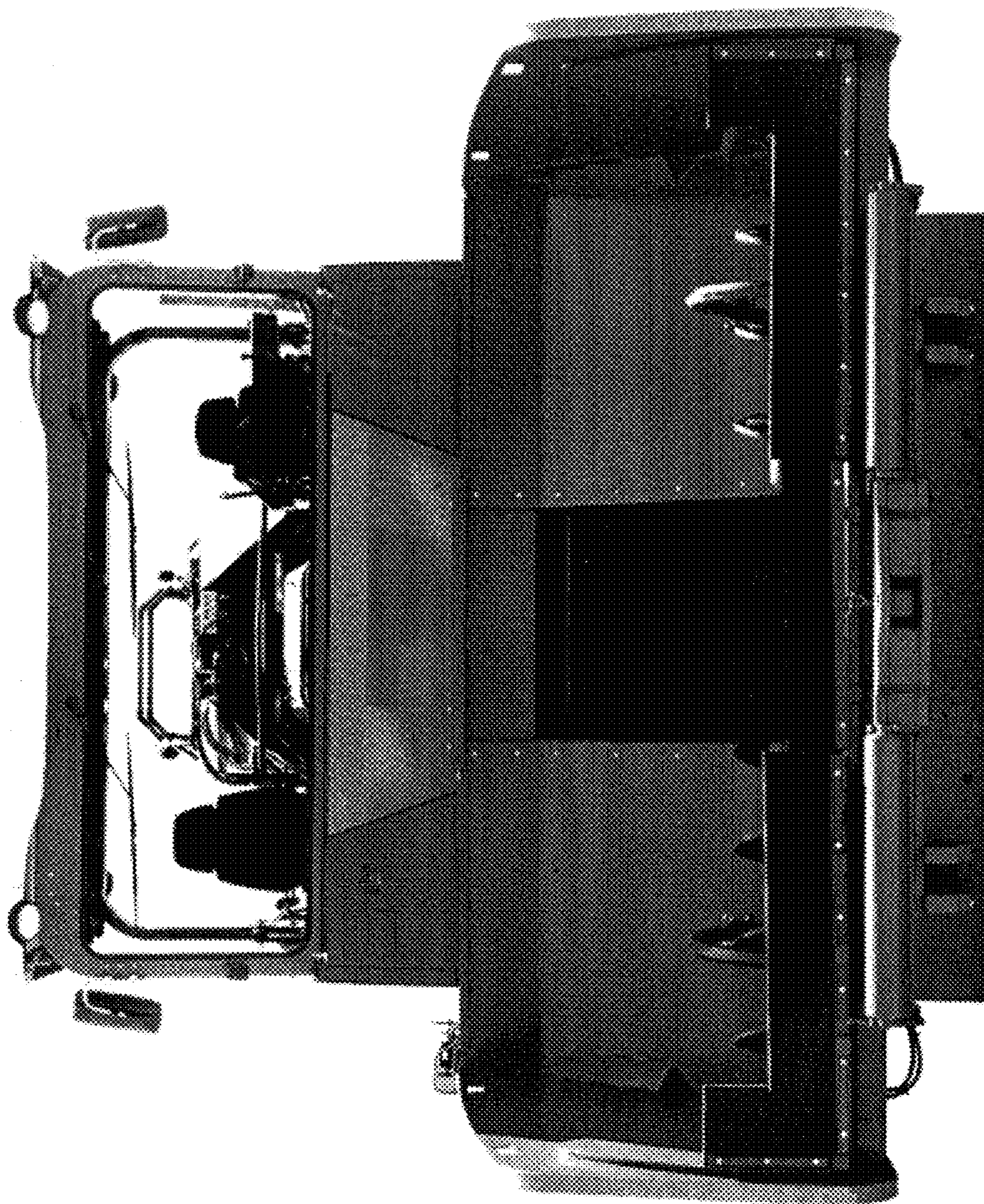


FIG 4

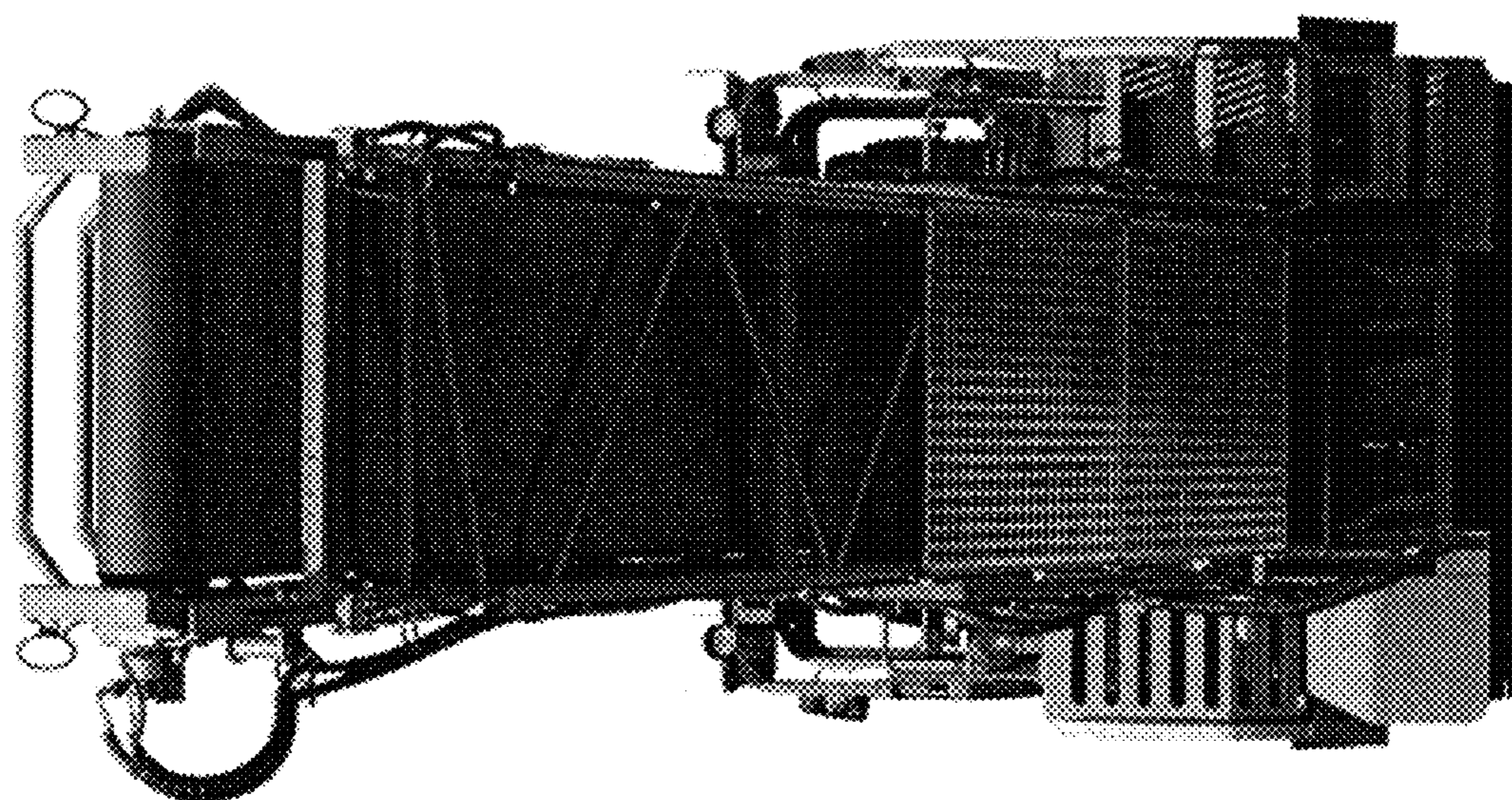


FIG 5

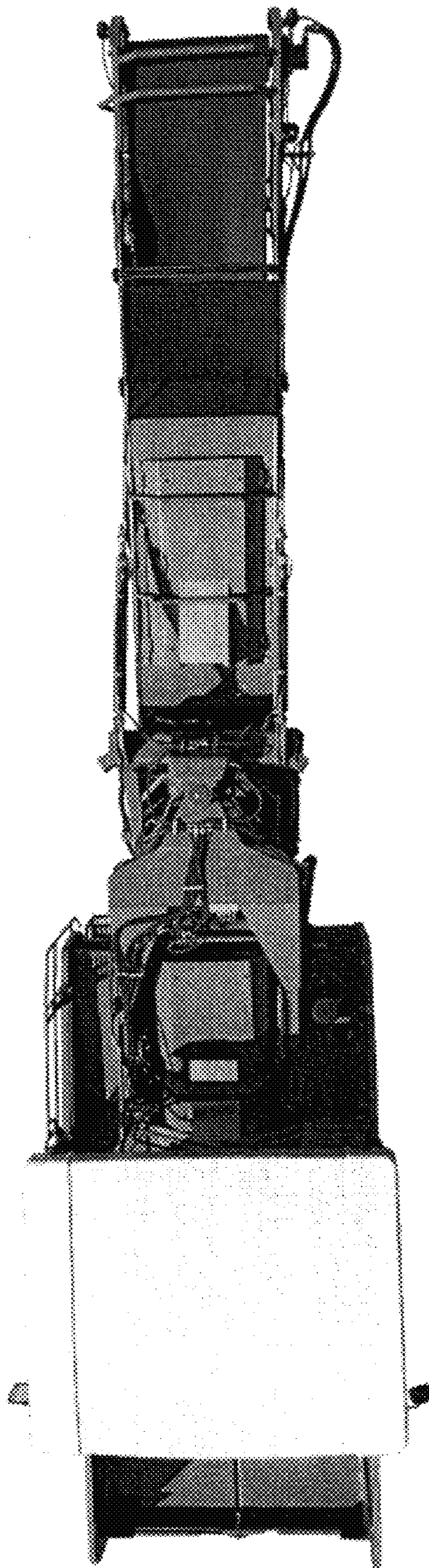


FIG 6

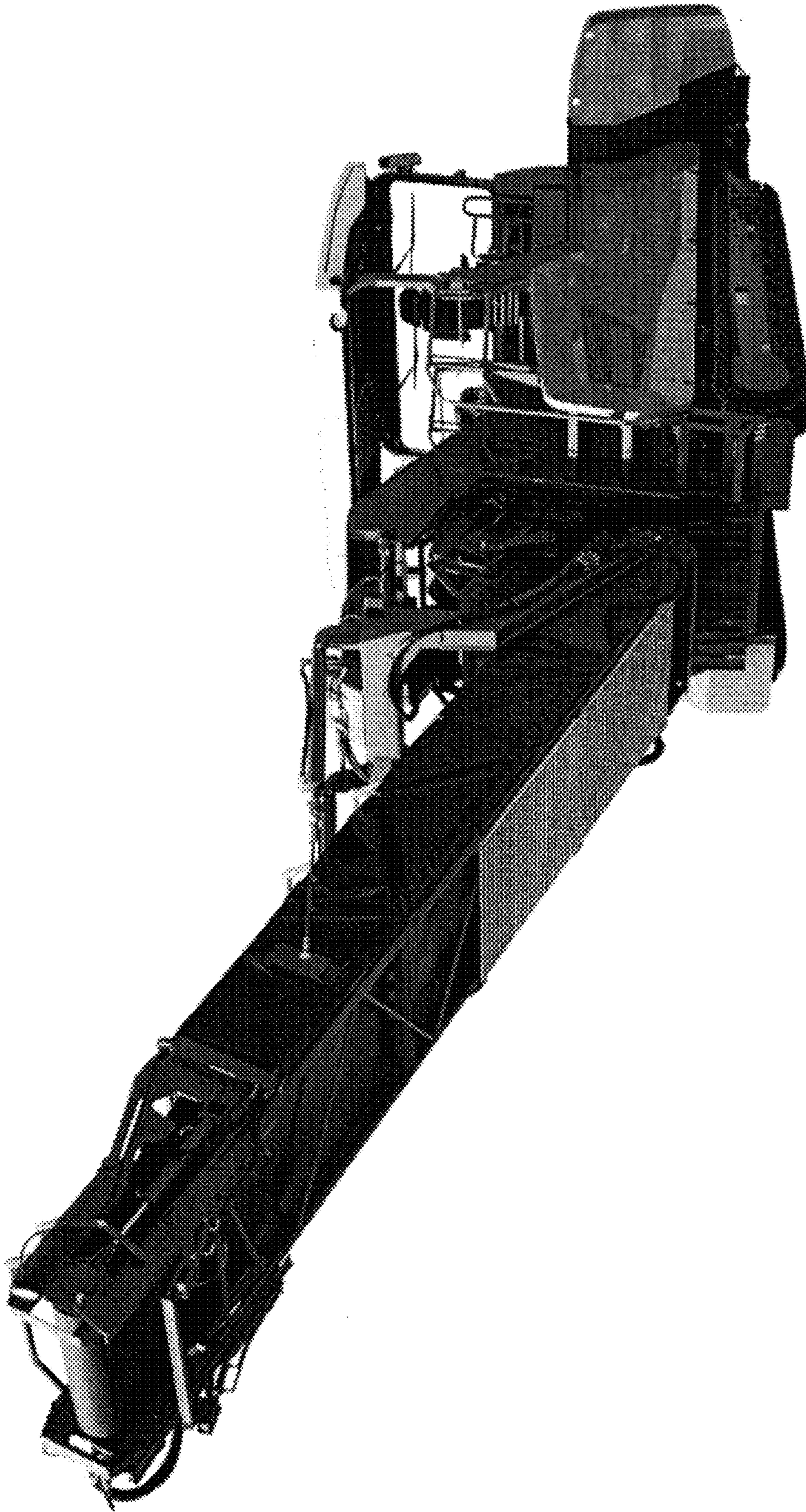


FIG 7