



US00D660875S

(12) **United States Design Patent**  
**Mabey et al.**

(10) **Patent No.:** **US D660,875 S**

(45) **Date of Patent:** **\*\* May 29, 2012**

(54) **MOWER**

(56) **References Cited**

(75) Inventors: **Keith Ross Mabey**, Tauranga (NZ);  
**James Iain McEwen**, Tauranga (NZ);  
**Robert Charles Sievwright**, Tauranga  
(NZ); **Ryan Thomas Andrew Graham**,  
Auckland (NZ); **Gareth Nigel**  
**Lauchlan**, Auckland (NZ)

(73) Assignee: **Trimax Mowing Systems NZ Limited**,  
Tauranga (NZ)

(\*\*) Term: **14 Years**

(21) Appl. No.: **29/378,096**

(22) Filed: **Oct. 29, 2010**

(30) **Foreign Application Priority Data**

Apr. 29, 2010 (NZ) ..... 413574

(51) **LOC (9) Cl.** ..... **15-03**

(52) **U.S. Cl.** ..... **D15/17; D15/27**

(58) **Field of Classification Search** ..... D15/14,  
D15/27, 15, 17; 56/6, 17.1, 16.7, 15.7, 15.8,  
56/DIG. 20, DIG. 9, 320.1, 320.2, 17.5, 17.4,  
56/2

See application file for complete search history.

U.S. PATENT DOCUMENTS

D206,756	S	*	1/1967	Bottenberg	.....	D15/14
D208,364	S	*	8/1967	Coss	.....	D15/27
D227,498	S	*	6/1973	McCanse et al.	.....	D15/14
3,736,735	A	*	6/1973	Kulak et al.	.....	56/13.6
4,310,997	A	*	1/1982	Streicher	.....	56/15.9
D271,398	S	*	11/1983	McCanse et al.	.....	D15/27
D285,080	S	*	8/1986	Klein	.....	D15/27
D344,738	S	*	3/1994	Young	.....	D15/27
D394,662	S	*	5/1998	Grow	.....	D15/27
D424,071	S	*	5/2000	Bickford et al.	.....	D15/17
D435,564	S	*	12/2000	Klasson	.....	D15/17
D445,432	S	*	7/2001	Bickford	.....	D15/27
D547,332	S	*	7/2007	Degelman et al.	.....	D15/17
D569,392	S	*	5/2008	Lonergan et al.	.....	D15/27

\* cited by examiner

*Primary Examiner* — Mark Goodwin

(74) *Attorney, Agent, or Firm* — Young & Thompson

(57) **CLAIM**

The ornamental design for a mower, as shown and described.

**DESCRIPTION**

FIG. 1 is a right rear perspective view of a mower showing our new design;

FIG. 2 is a left rear perspective view thereof;

FIG. 3 is a right front perspective view thereof;

FIG. 4 is a front view thereof;

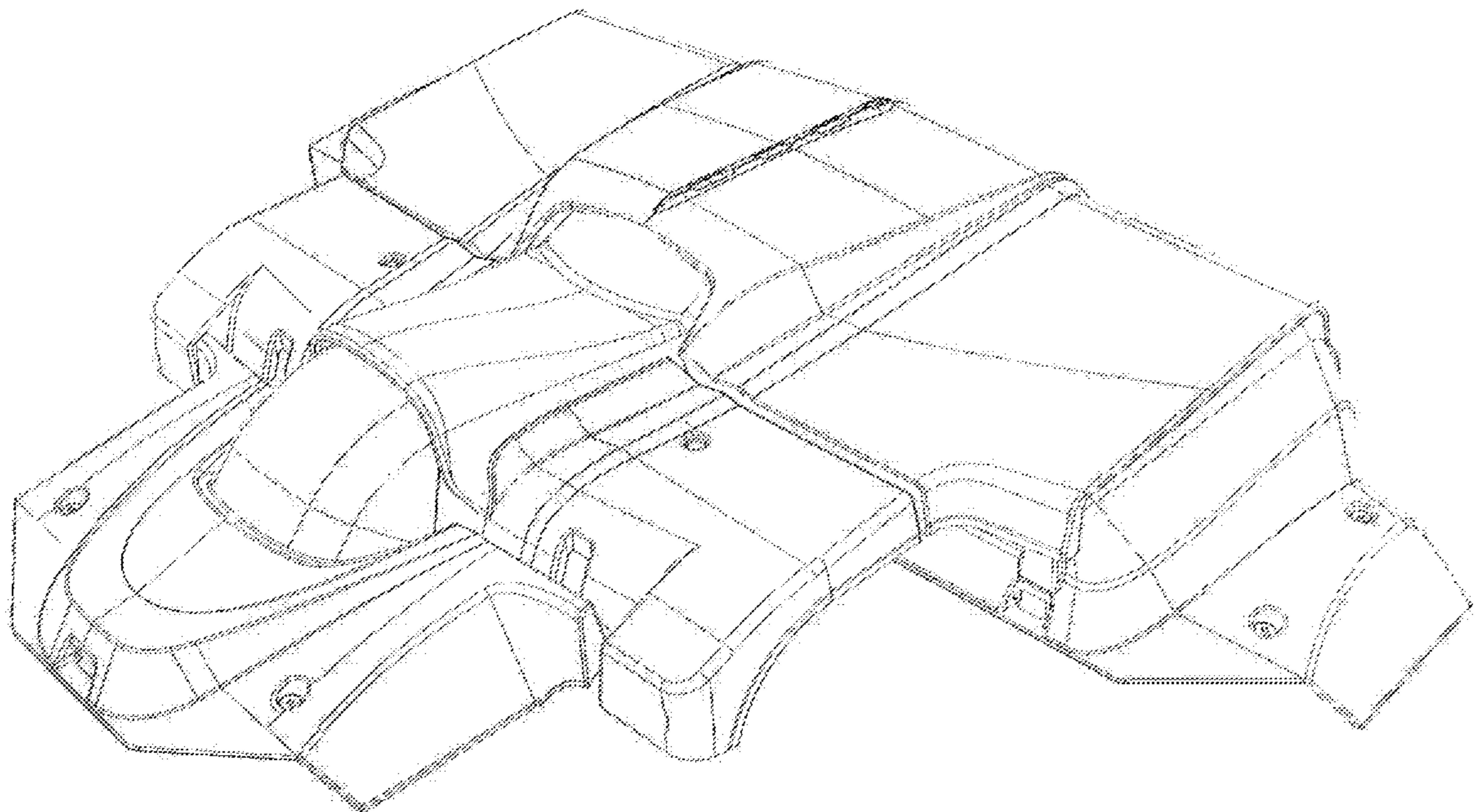
FIG. 5 is a left side view thereof;

FIG. 6 is a rear view thereof;

FIG. 7 is a right side view thereof; and,

FIG. 8 is a top view thereof.

**1 Claim, 8 Drawing Sheets**



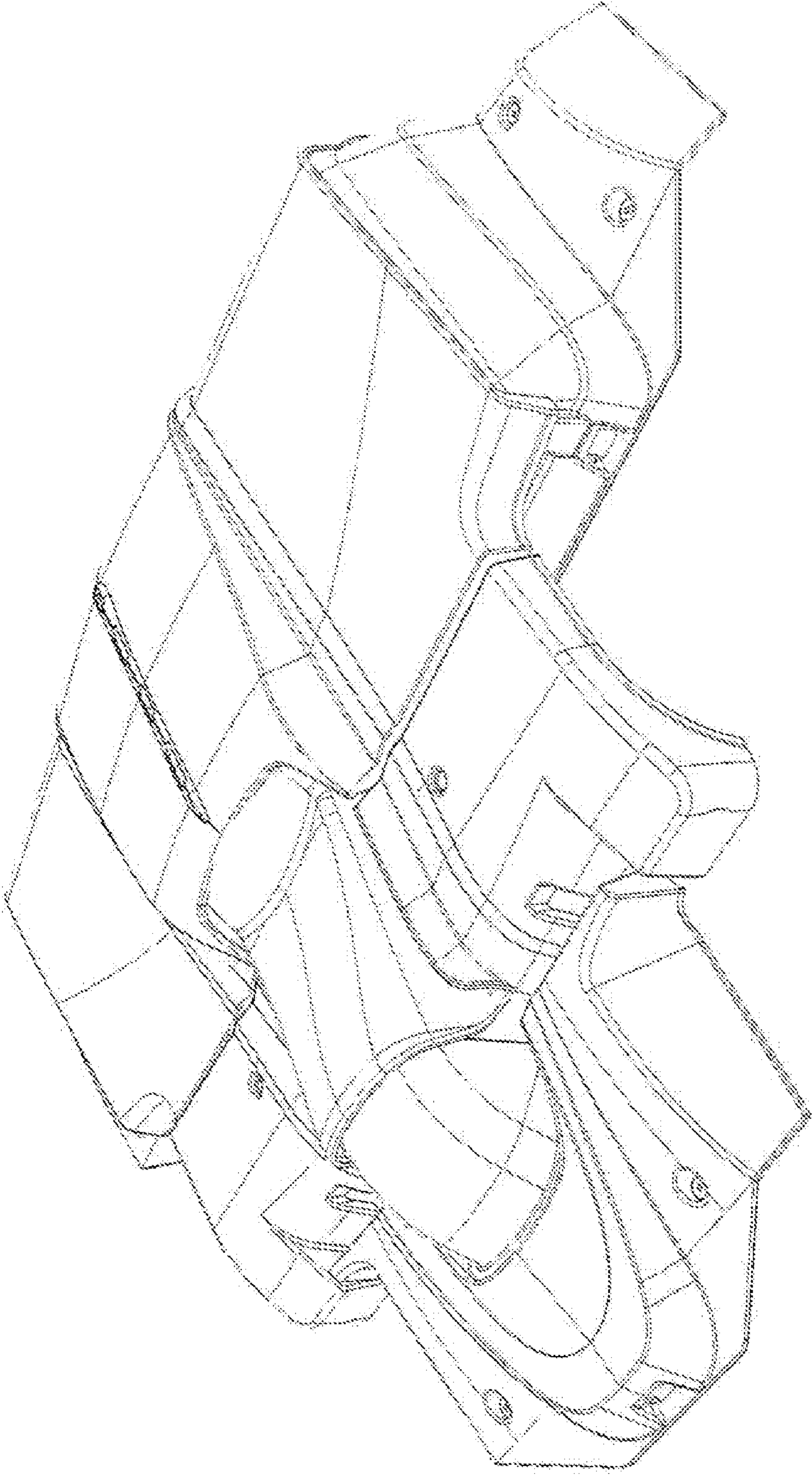


FIG. 1

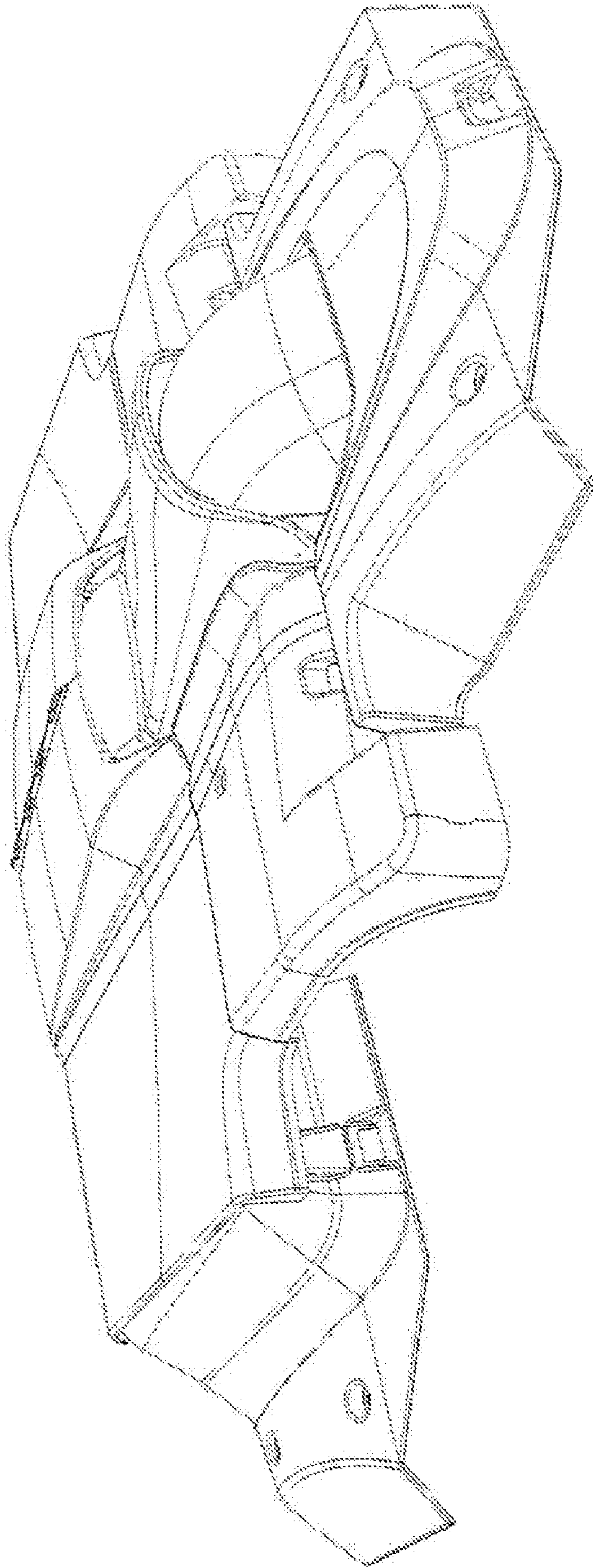
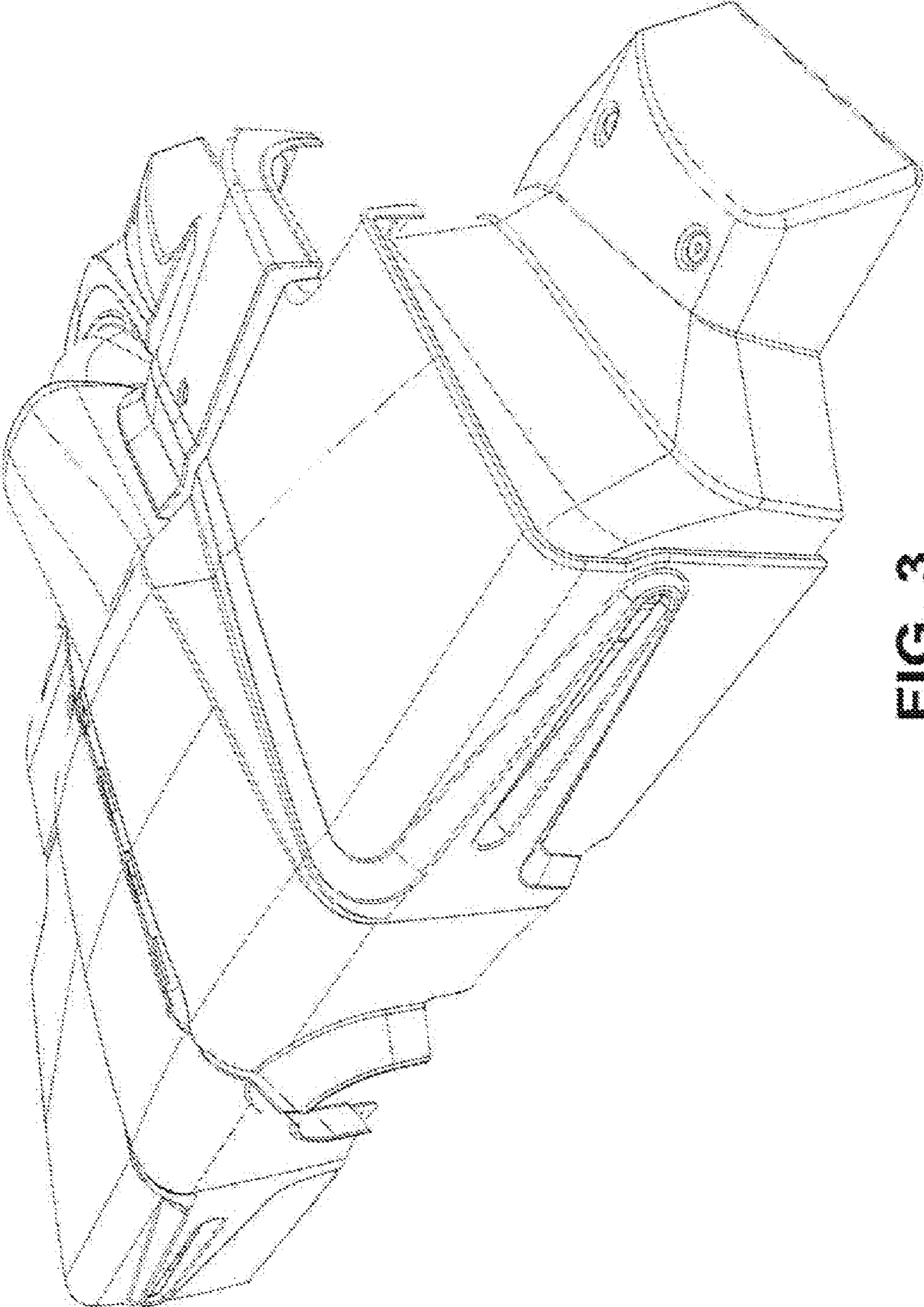


FIG. 2



**FIG. 3**

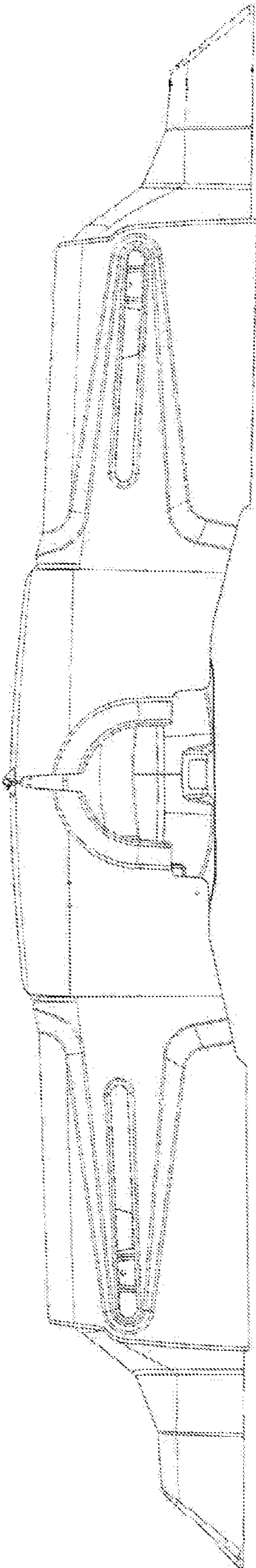


FIG. 4

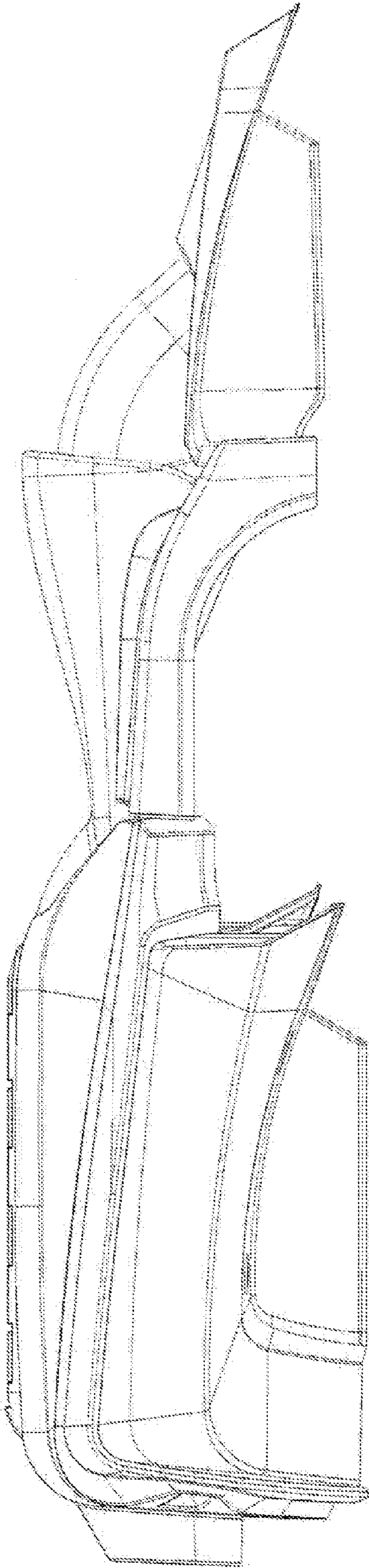


FIG. 5

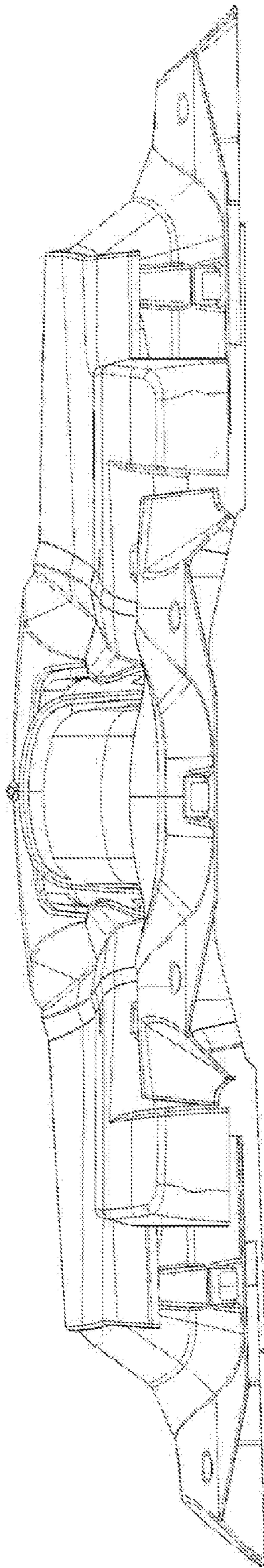


FIG. 6

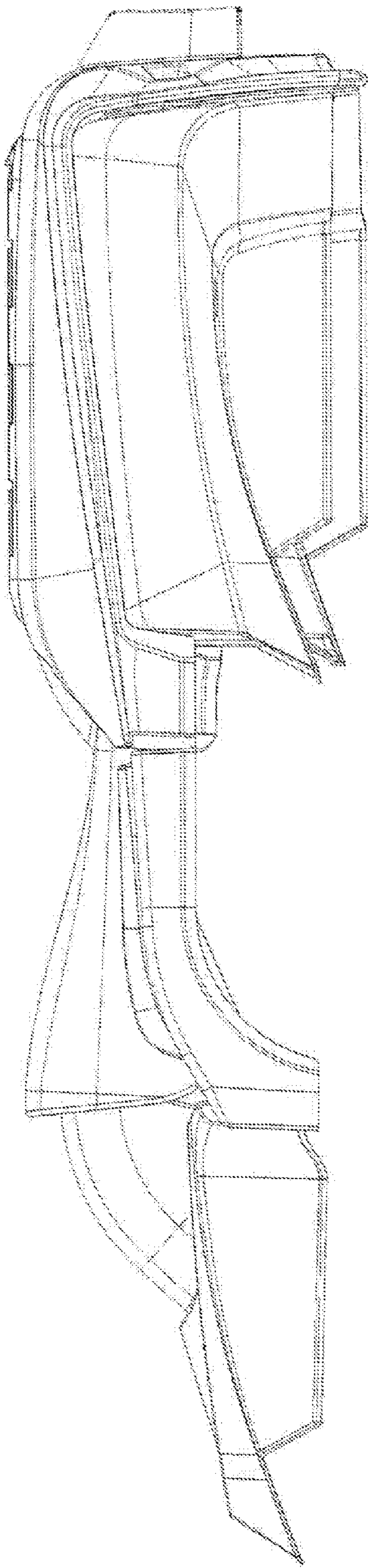


FIG. 7



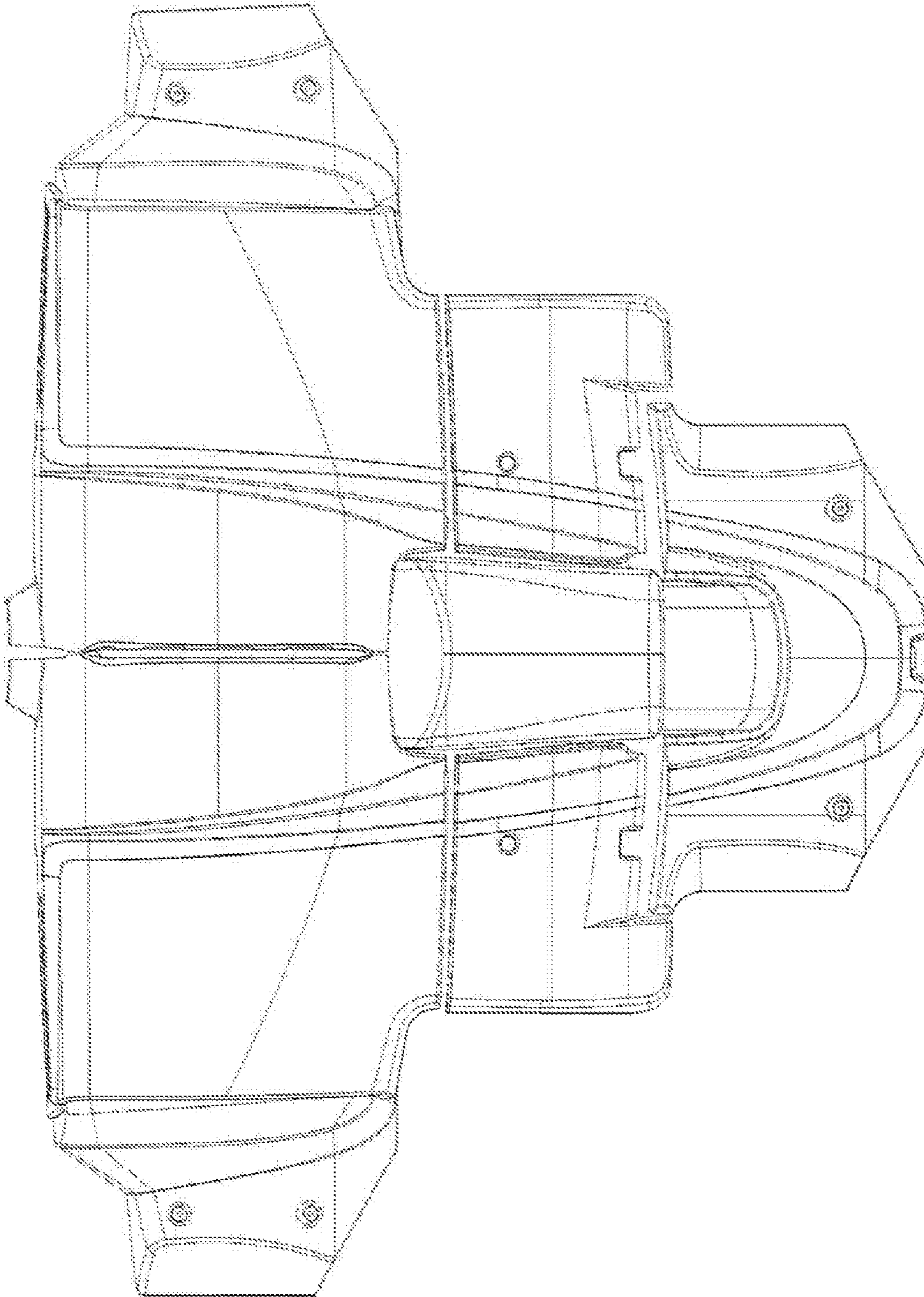


FIG. 8