



US00D660874S

(12) **United States Design Patent**
Werner et al.

(10) **Patent No.:** **US D660,874 S**
(45) **Date of Patent:** **** May 29, 2012**

(54) **POWER HEAD**

(75) Inventors: **Gregory K. Werner**, Durango, IA (US);
Denis J. Montocchio, Dubuque, IA
(US); **Karl G. Heine**, Dubuque, IA
(US); **Thomas H. Ward**, Ventura, CA
(US); **Michael J. De Jung**, Sebastopol,
CA (US)

(73) Assignee: **Deere & Company**, Moline, IL (US)

(**) Term: **14 Years**

(21) Appl. No.: **29/385,639**

(22) Filed: **Feb. 17, 2011**

(51) **LOC (9) Cl.** **15-03**

(52) **U.S. Cl.** **D15/10**

(58) **Field of Classification Search** D15/10,
D15/30, 22-26, 28, 33; 180/89.12, 89.13,
180/89.16, 89.18, 89.19, 322-326, 333-336,
180/89.1; 296/190, 192, 190.01, 79, 190.08
See application file for complete search history.

(56) **References Cited**

U.S. PATENT DOCUMENTS

D188,314 S *	7/1960	Babbit, Jr. et al.	D12/15
D222,533 S *	11/1971	Lorenz et al.	D15/30
D224,525 S *	8/1972	Van Syoc et al.	D15/23
D241,668 S *	9/1976	Shager et al.	D15/26
D256,801 S *	9/1980	Skyer et al.	D15/33
D277,861 S *	3/1985	Sieren	D15/23
D302,276 S *	7/1989	Briggs et al.	D15/24
D312,467 S *	11/1990	Long et al.	D15/30
D312,643 S *	12/1990	Goyen et al.	D15/23
D326,858 S *	6/1992	Skeel et al.	D15/25
D364,408 S *	11/1995	Bryant et al.	D15/25
D410,930 S *	6/1999	Kim et al.	D15/25
6,027,173 A *	2/2000	Bettini	298/17 S
D458,943 S *	6/2002	Briggs et al.	D15/30
D465,499 S *	11/2002	Briggs et al.	D15/30
D549,738 S *	8/2007	Hiraoka et al.	D15/25
D550,722 S *	9/2007	Doll	D15/23

D571,378 S *	6/2008	Bernard et al.	D15/30
D578,038 S *	10/2008	Kelley et al.	D12/15
D578,435 S *	10/2008	Bryant et al.	D12/15
D580,300 S *	11/2008	Bryant et al.	D12/15
D590,846 S *	4/2009	Kinsinger et al.	D15/25
D607,473 S *	1/2010	Haubrich et al.	D15/20
7,810,887 B2	10/2010	Hjerth et al.	
D630,551 S *	1/2011	Vermeersch et al.	D12/11

OTHER PUBLICATIONS

Deere D Series II ADTs Product Brochure (20 pages)(Nov. 2009).
Images of Deere D-Series ADTs (5 pages).
Drawings of Deere D-Series ADT Fleet (1 page).
Bell B40D Product Brochure (4 pages)(Nov. 2009).
Doosan Moxy ADT Product Brochure (20 pages)(Mar. 2010).
Caterpillar 740 Product Brochure (20 pages)(2009).
Komatsu HM400-2 Product Brochure (12 pages)(Apr. 2009).
Terex TA400 Product Brochure (6 pages)(Jan. 2010).
Volvo A35E-A40E Product Brochure (28 pages)(Nov. 2007).
Deere 300D ADT Dump Body (3 pages).
Deere 400D ADT Dump Body (3 pages).
Views of Various ADTs (2 pages)(Apr. 2009).

* cited by examiner

Primary Examiner — Mark Goodwin

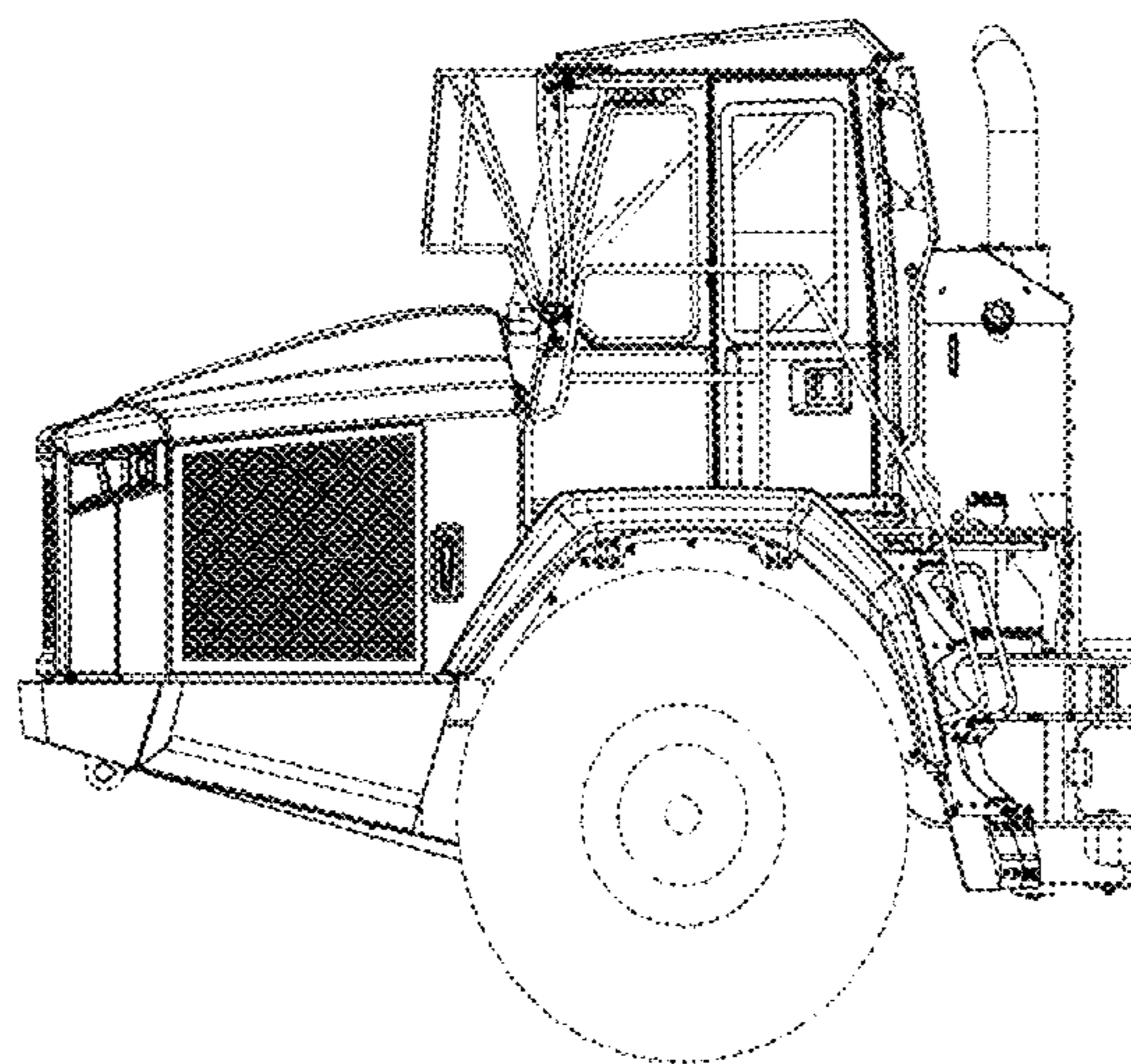
(57) **CLAIM**

The ornamental design for a power head, as shown and described.

DESCRIPTION

FIG. 1 is a left-side elevational view of a power head showing our new design.
FIG. 2 is a right-side elevational view thereof;
FIG. 3 is a front elevational view thereof;
FIG. 4 is a rear elevational view thereof;
FIG. 5 is a top plan view thereof; and,
FIG. 6 is a bottom plan view thereof.
The broken line showing of the wheels and various surface features is included for the purpose of illustrating portions of the power head and forms no part of the claimed design.

1 Claim, 6 Drawing Sheets



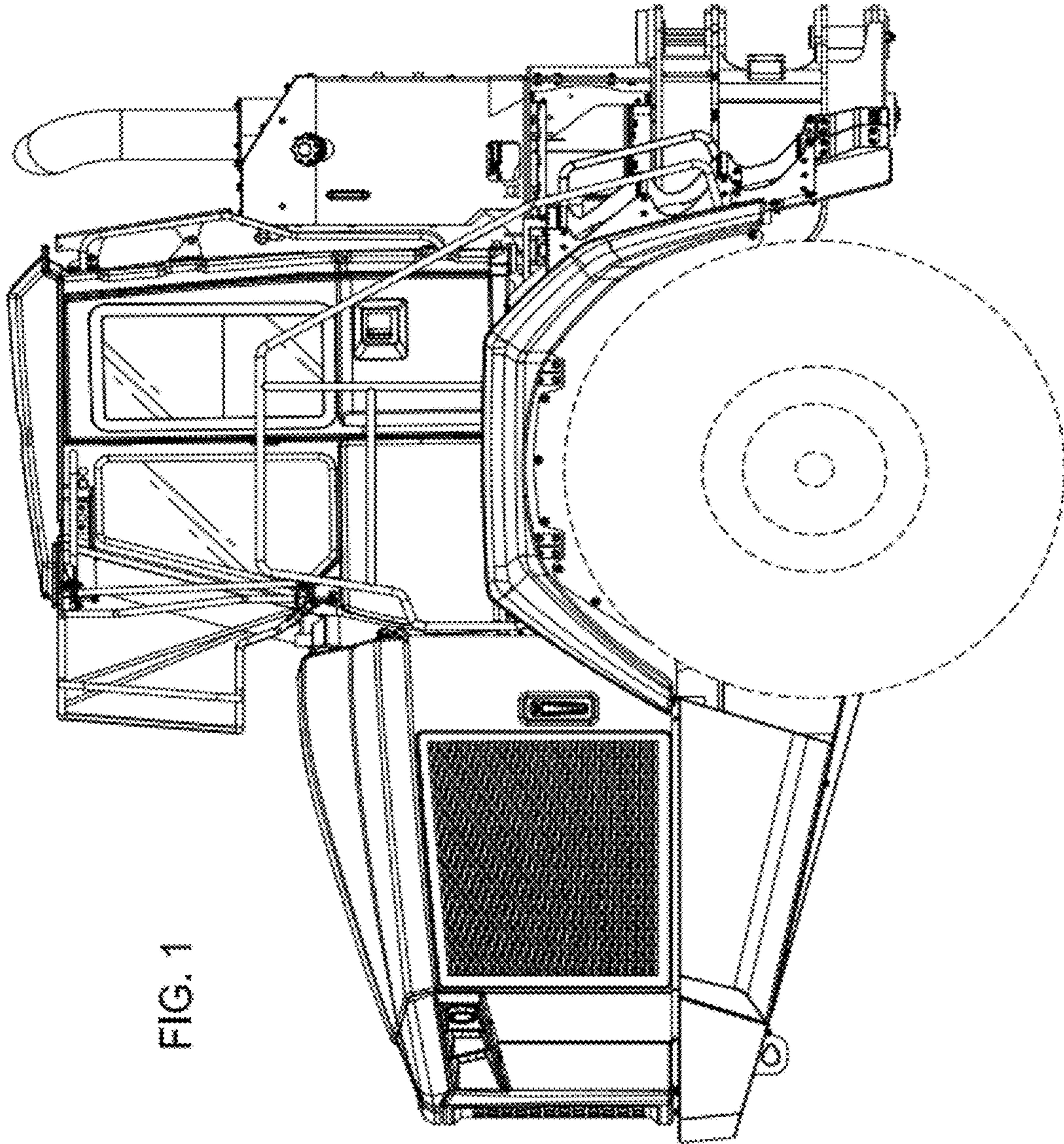


FIG. 1

FIG. 2

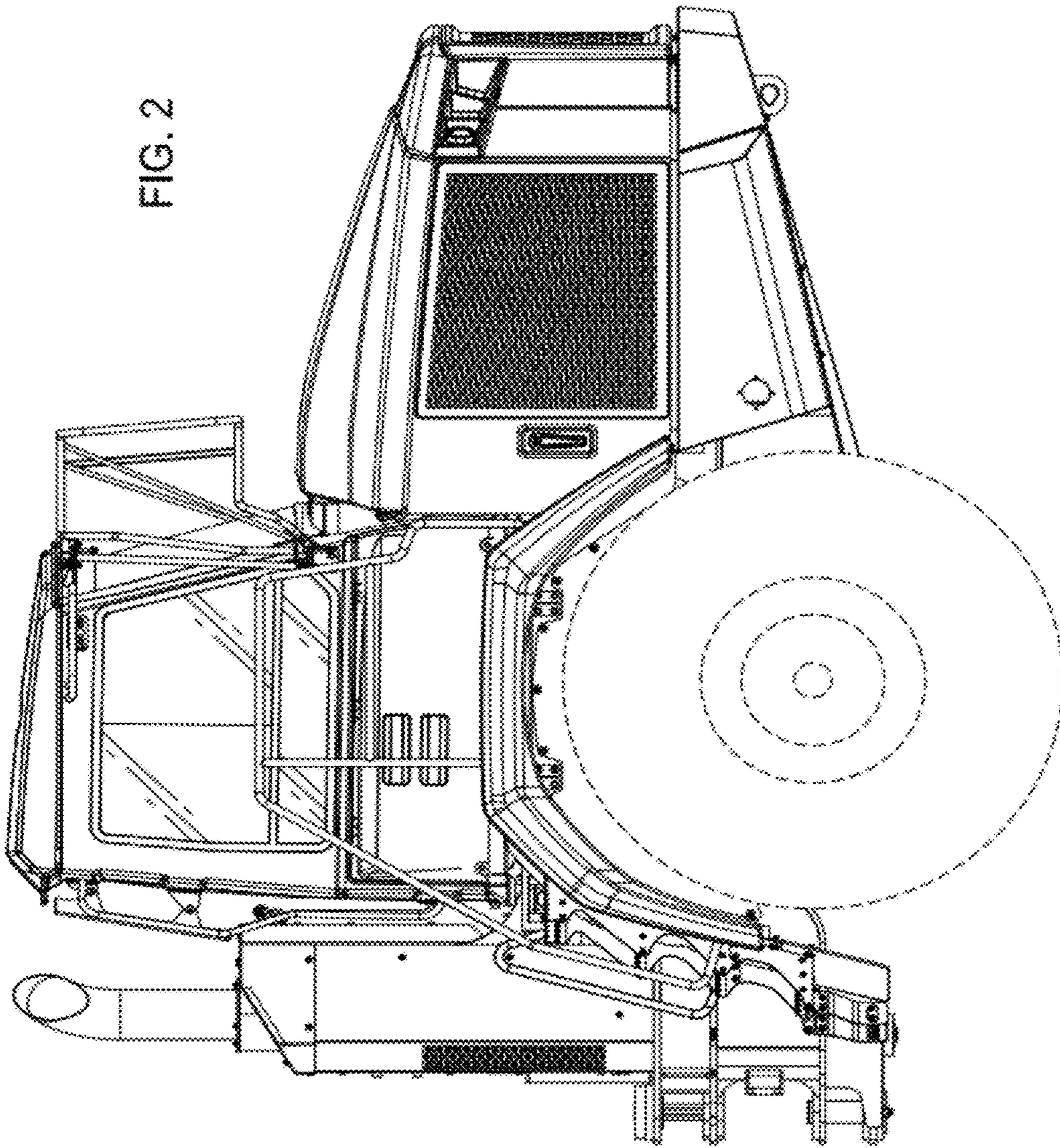
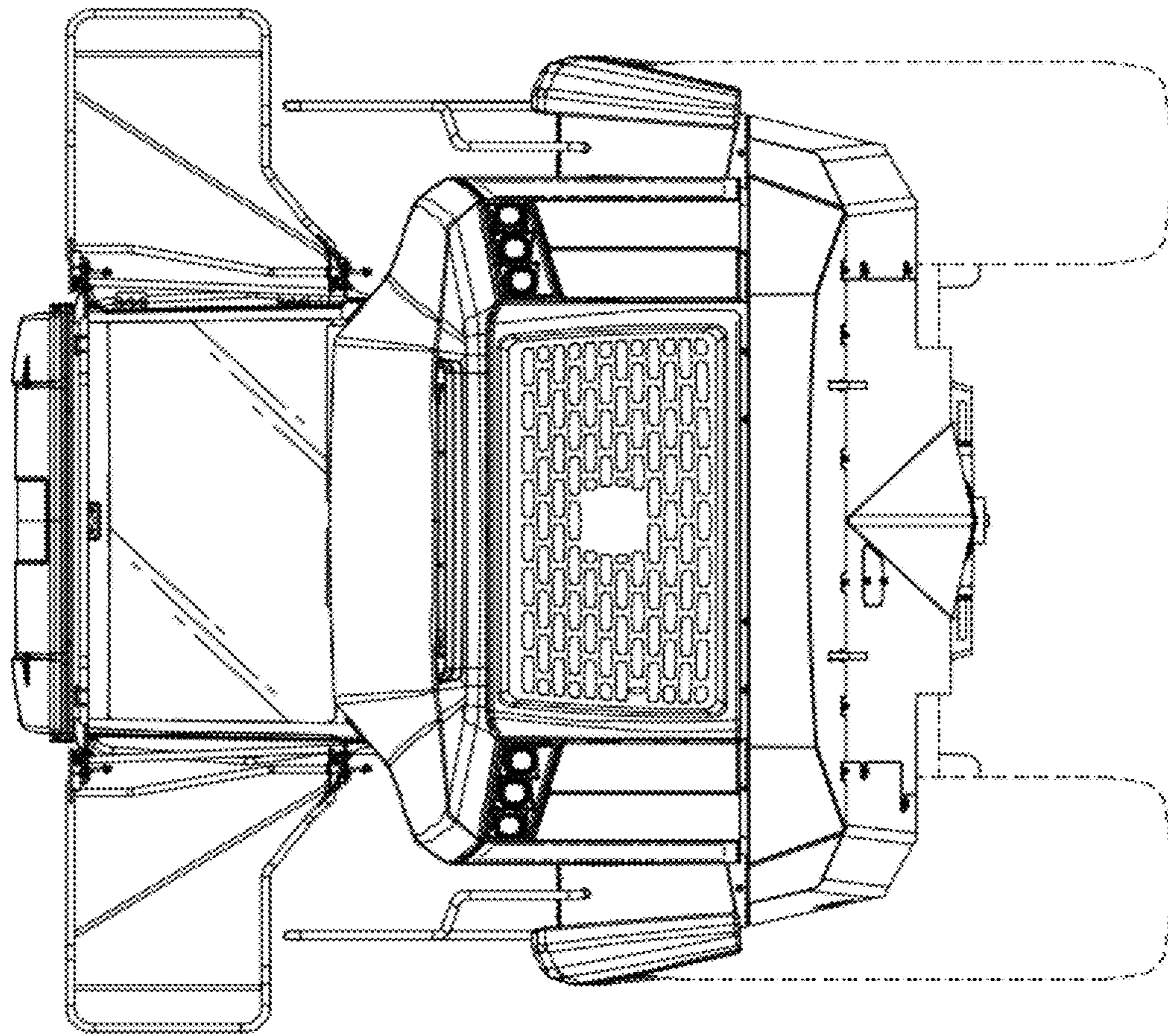


FIG. 3



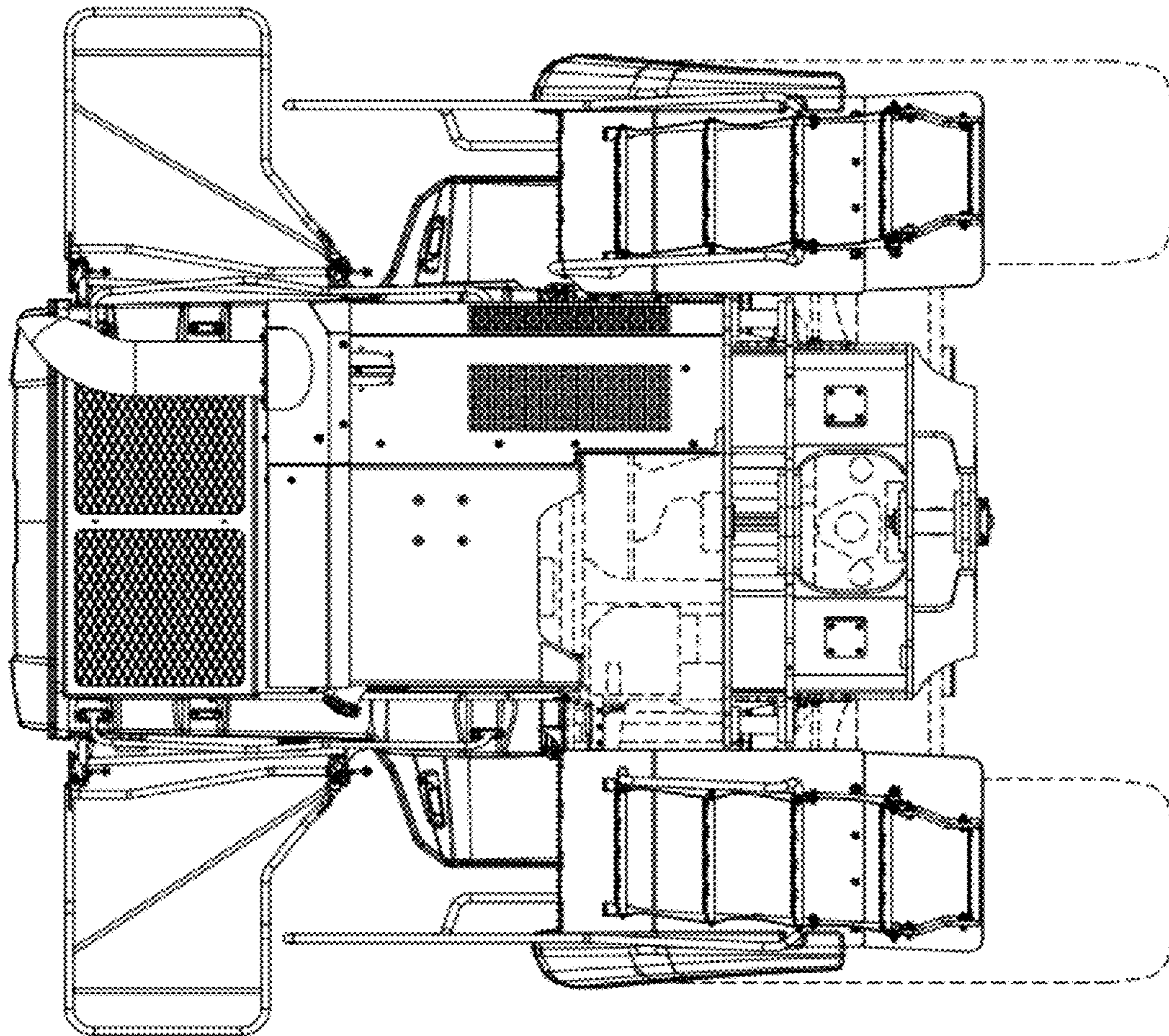


FIG. 4

FIG. 5

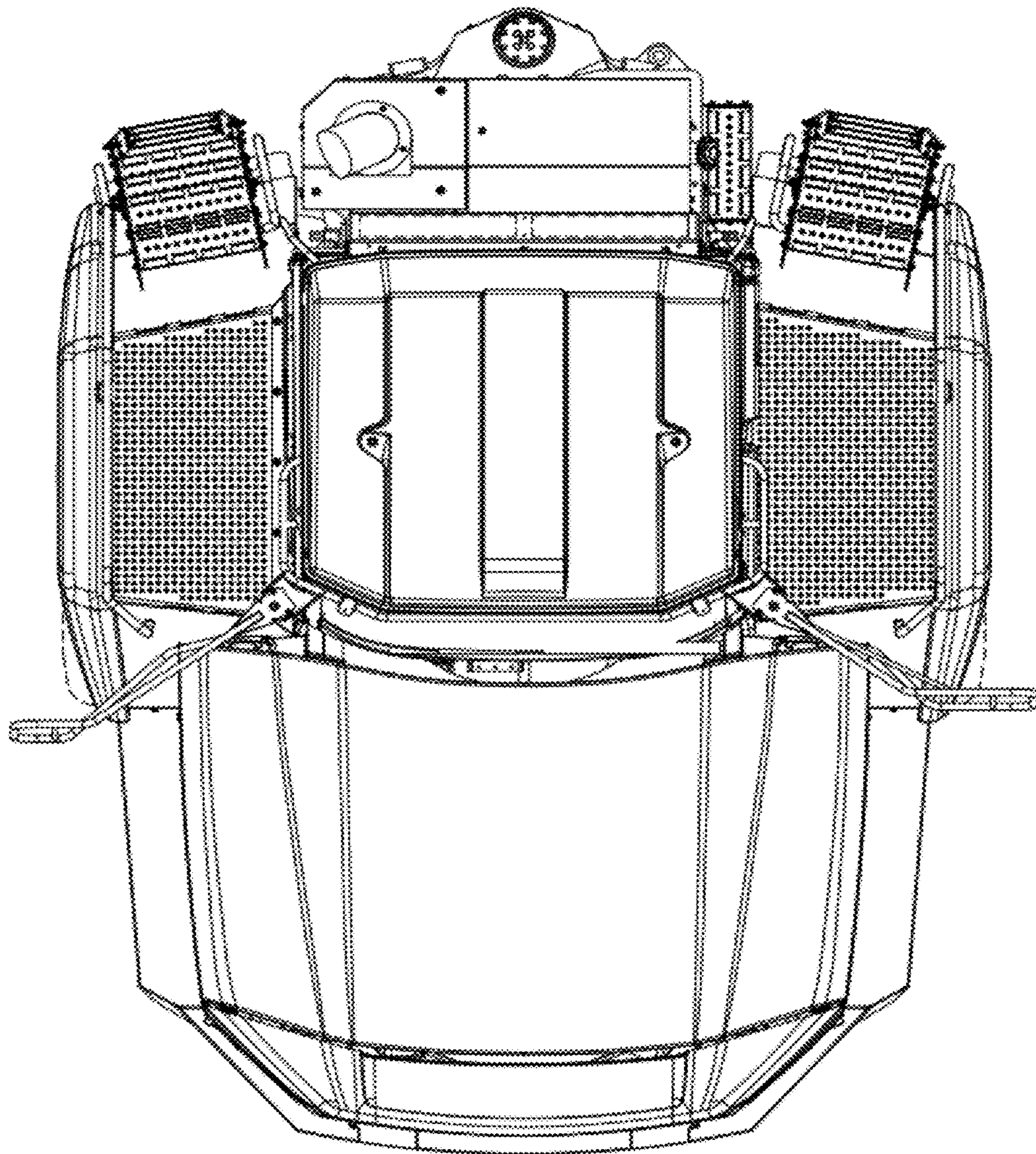


FIG. 6

